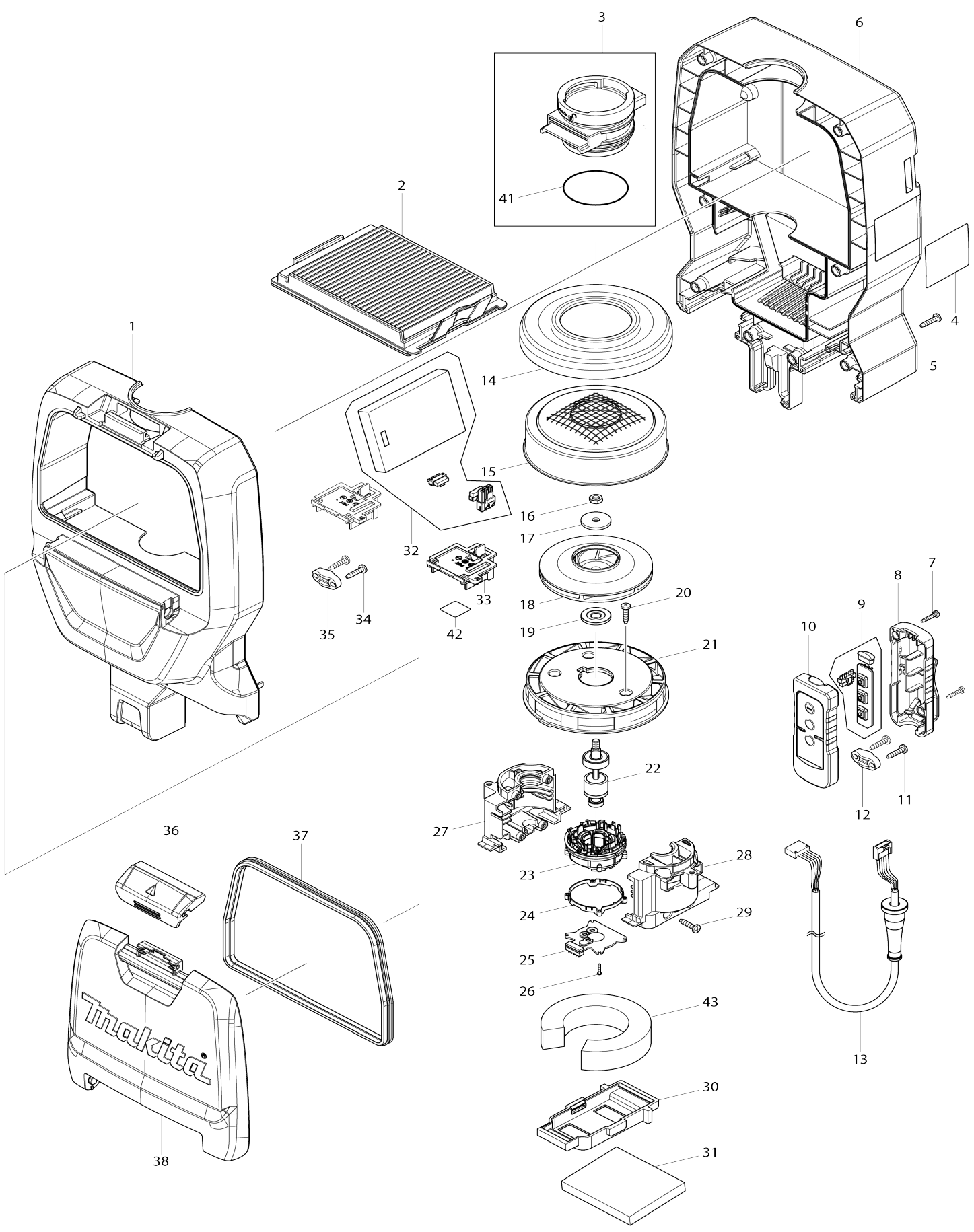
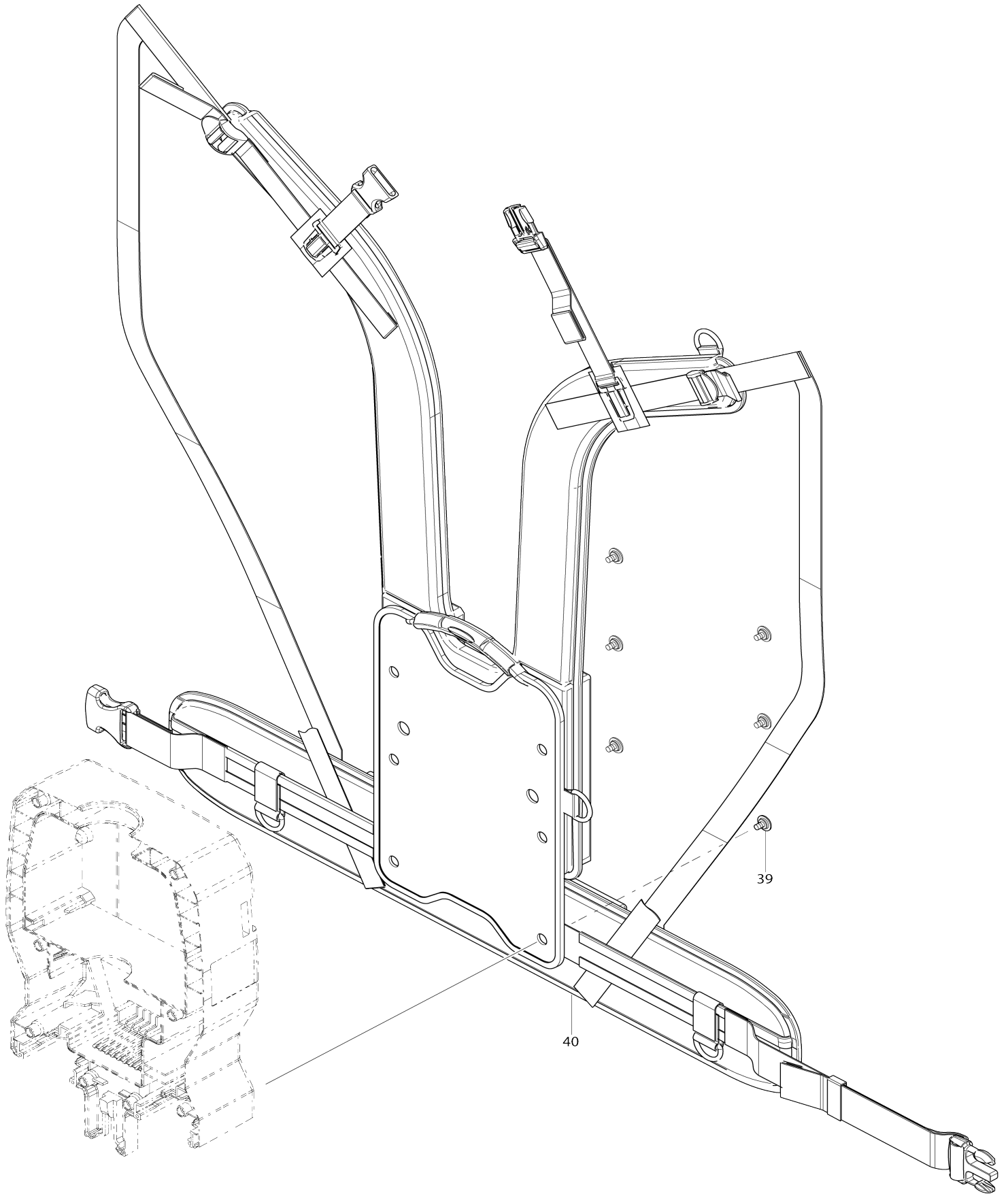


Model No.DVC261 DC BACKPACK VACUUM CLEANER



Model No.DVC261 DC BACKPACK VACUUM CLEANER



Model No.DVC261 DC BACKPACK VACUUM CLEANER

| Item No. | Parts No. | Description | Interchangability | Q'ty | New/Old | Note1 | Note2 |
|----------|-----------|-------------------------------|-------------------|------|---------|-------|-------|
| 001 | 140G16-6 | UPPER HOUSING COMPLETE | | 1 | | | |
| C10 | 263005-3 | RUBBER PIN 6 | | 4 | | | |
| C20 | 422373-5 | BAND DAMPER A | | 1 | | | |
| 002 | 123636-9 | HEPA FILTER ASSEMBLY | | 1 | * | | |
| C10 | 153820-2 | VALVE COMPLETE | | 1 | * | | |
| 002-1 | 127725-2 | FILTER ASSEMBLY | O | 1 | | | |
| C10 | 153820-2 | VALVE COMPLETE | | 1 | | | |
| 003 | 135771-1 | INLET ASS'Y | | 1 | | | |
| 003 | | INC. 41 | | | | | |
| 004 | 854Y90-3 | DVC261 NAME PLATE | | 1 | | | |
| 005 | 266326-2 | TAPPING SCREW 4X18 | | 8 | | | |
| 006 | 140F61-5 | LOWER HOUSING COMPLETE | | 1 | | | |
| C10 | 422374-3 | BAND DAMPER B | | 1 | | | |
| 007 | 266130-9 | TAPPING SCREW BIND PT 3X16 | | 2 | | | |
| 008 | 183K74-3 | SWITCH CASE SET | | 1 | | | |
| C10 | 818F86-4 | SWITCH LABEL | | 1 | | | |
| 008 | | INC. 10 | | | | | |
| 009 | 620525-4 | SUB CONTROLLER | | 1 | | | |
| 010 | 183K74-3 | SWITCH CASE SET | | 1 | | | |
| C10 | 818F86-4 | SWITCH LABEL | | 1 | | | |
| 010 | | INC. 8 | | | | | |
| 011 | 266326-2 | TAPPING SCREW 4X18 | | 2 | | | |
| 012 | 687123-7 | STRAIN RELIEF | | 1 | | | |
| 013 | 699077-6 | POWER SUPPLY CORD UNIT | | 1 | * | | |
| 013-1 | 699136-6 | POWER SUPPLY CORD UNIT | O | 1 | * | | |
| 013-2 | 699136-6 | POWER SUPPLY CORD UNIT | O | 1 | | | |
| 014 | 422376-9 | SUPPORT RING | | 1 | | | |
| 015 | 161804-6 | FAN COVER | | 1 | | | |
| 016 | 931303-0 | HEX. NUT M6 | | 1 | * | | |
| 016-1 | 252268-6 | HEX. NUT M6 | O | 1 | | | |
| 017 | 322407-3 | WASHER 6 | | 1 | | | |
| 018 | 241851-4 | FAN 94 | | 1 | | | |
| 019 | 313062-2 | FLANGE | | 1 | | | |
| 020 | 266326-2 | TAPPING SCREW 4X18 | | 3 | | | |
| 021 | 456736-3 | FAN BASE | | 1 | | | |
| 022 | 619517-8 | ROTOR | | 1 | * | | |
| 022-1 | 619517-8 | ROTOR | O | 1 | * | | |
| 022-2 | 619517-8 | ROTOR | O | 1 | | | |
| 023 | 629381-9 | STATOR | | 1 | | | |
| 024 | 687464-1 | SUPPORT | | 1 | | | |
| 025 | 620526-2 | CONTROLLER B | | 1 | | | |
| 026 | 266786-8 | + PAN HEAD TAPPING SCREW 2X10 | | 4 | | | |
| 027 | 183D13-1 | MOTOR HOUSING SET | | 1 | | | |
| 027 | | INC. 28 | | | | | |
| 028 | 183D13-1 | MOTOR HOUSING SET | | 1 | | | |
| 028 | | INC. 27 | | | | | |
| 029 | 266326-2 | TAPPING SCREW 4X18 | | 4 | | | |

| | | | | | | |
|-------|----------|--------------------------------|---|---|---|--|
| 030 | 424837-5 | SUPPORT A | | 1 | | |
| 031 | 424838-3 | REAR BLOCK FILTER | | 2 | | |
| 032 | 620992-3 | CONTROLLER | | 1 | | |
| 033 | 644808-8 | TERMINAL | | 2 | | |
| 034 | 266326-2 | TAPPING SCREW 4X18 | | 2 | | |
| 035 | 687123-7 | STRAIN RELIEF | | 1 | | |
| 036 | 123586-8 | LATCH ASSEMBLY | | 1 | | |
| 037 | 424836-7 | SEAL | | 1 | | |
| 038 | 456739-7 | DUST BOX COVER | | 1 | | |
| 039 | 265008-3 | + FLAT HEAD SCREW M5 | | 6 | | |
| 040 | 162469-7 | HARNESS | | 1 | * | |
| 040-1 | 162D04-5 | HARNESS | O | 1 | * | |
| 040-2 | 162B50-6 | HARNESS | O | 1 | | |
| 041 | 213655-4 | O RING 56 | | 1 | | |
| 042 | 854Y97-9 | DVC261 SERIAL NO. LABEL | | 1 | | |
| 043 | 422370-1 | BAND DAMPER C | | 1 | | |
| A01 | 143787-2 | HOSE COMPLETE 28-1.0 | | 1 | | |
| A02 | 166116-2 | HOSE BAND | | 1 | | |
| A03 | 197903-8 | FILTER BAG SET 2L(10PCS)EU | | 1 | * | |
| A03-1 | 197903-8 | FILTER BAG SET 2L(10PCS)EU | O | 1 | | |
| A04 | 197901-2 | FLEXIBLE RUBBER NOZZLE SET E U | | 1 | | |
| A05 | 127082-8 | NOZZLE ASSEMBLY | | 1 | | |
| A06 | 140G19-0 | TELESCOPIC PIPE COMPLETE | | 1 | | |
| A07 | 127093-3 | BENT PIPE ASSEMBLY | | 1 | | |
| C10 | 456744-4 | SLEEVE A | | 1 | | |
| C20 | 456745-2 | STOPPER A | | 1 | | |
| A11B | 198992-6 | LONG SASH NOZZLE SET 28 BLK | | 1 | | |
| A12B | 199039-9 | SEAT NOZZLE SET 28 BLK | | 1 | | |
| F10 | 192236-6 | TAPERED NOZZLE SET | | 1 | | |
| F13 | 195545-2 | FRONT CUFF 38 SET | | 1 | | |
| F14 | 195546-0 | FRONT CUFF 24 SET | | 1 | | |
| F15 | 195547-8 | FRONT CUFF 22 SET | | 1 | | |
| F16 | 195548-6 | JOINT 22-38 SET | | 1 | | |
| F17 | 195549-4 | T-NOZZLE ASSY A SET(DRY)38 | | 1 | | |
| F18 | 195551-7 | T-NOZZLE SET 38 | | 1 | | |
| F28 | 198184-7 | F/C SWITCHING T-NOZZLE 38 | | 1 | | |
| F32 | 198533-8 | F/C SWITCHING T-NOZZLE 38 EU | | 1 | | |
| F33 | 198537-0 | SHELF BRUSH SET28 IVO EU | | 1 | | |
| F34 | 191496-7 | FLEXIBLE HOSE SET28(IVO) | | 1 | | |
| F36 | 198552-4 | ROUND BRUSH SET 28 IVO | | 1 | | |
| F39 | 198560-5 | TELESCOPIC PIPE SET 28 EU | | 1 | | |
| F42 | 198868-7 | FLEXIBLE HOSE SET28(WHI) | | 1 | | |
| F44 | 198873-4 | SHELF BRUSH SET28 WHI | | 1 | | |
| F46 | 198878-4 | ROUND BRUSH SET 28 WHI | | 1 | | |
| F48 | 198919-6 | LONG SASH NOZZLE SET 28 WHI | | 1 | | |
| F51 | 198990-0 | LONG SASH NOZZLE SET 28 BLU | | 1 | | |
| F53 | 198992-6 | LONG SASH NOZZLE SET 28 BLK | | 1 | | |
| F55 | 199038-1 | SEAT NOZZLE SET 28 WHI | | 1 | | |
| F56 | 199039-9 | SEAT NOZZLE SET 28 BLK | | 1 | | |
| F58 | 199041-2 | SEAT NOZZLE SET 28 BLU | | 1 | | |
| F63 | 199491-1 | CYCLONE ATTACHMENT SET | | 1 | | |

| | | | | | | |
|-----|----------|-------------------------------|--|---|--|--|
| F65 | 199439-3 | CREVICE NOZZLE 415 SET | | 1 | | |
| F68 | 199843-6 | PIPE 465 COMPLETE SET | | 1 | | |
| F69 | 199844-4 | JOINT PIPE 465 SET | | 1 | | |
| F70 | 191B15-1 | CLEANING WAND SET | | 1 | | |
| F72 | 191E30-3 | FLEXIBLE HOSE SET(LOCK) | | 1 | | |
| F75 | 191D71-3 | CYCLONE ATTACHMENT SET (LOCK) | | 1 | | |
| F76 | 191D73-9 | CYCLONE ATTACHMENT SET (LOCK) | | 1 | | |
| F78 | 191D75-5 | CYCLONE ATTACHMENT SET | | 1 | | |
| F79 | 191D76-3 | STRAIGHT PIPE SET 340 | | 1 | | |
| F80 | 191D77-1 | STRAIGHT PIPE SET 340 | | 1 | | |
| F81 | 191D78-9 | STRAIGHT PIPE SET 340 | | 1 | | |
| F83 | 191D80-2 | STRAIGHT PIPE SET 320 | | 1 | | |
| F86 | 191M77-5 | JOINT A 32 SET | | 1 | | |
| F87 | 191M78-3 | JOINT B 35 SET | | 1 | | |
| F88 | 191M79-1 | JOINT C 38 SET | | 1 | | |
| F90 | 191X06-4 | NOZZLE ASSEMBLY SET | | 1 | | |
| F91 | 1910S4-7 | PROTECTION COVER SET | | 1 | | |
| F96 | 1914Y6-9 | ROTARY BRUSH NOZZLE SET | | 1 | | |
| F97 | 1914Y7-7 | ROTARY BRUSH NOZZLE SET | | 1 | | |
| F98 | 191Y14-1 | HARNESS COVER SET | | 1 | | |
| F99 | 1914A7-9 | ANGLE ATTACHMENT SET | | 1 | | |
| G09 | 1912G4-5 | TELESCOPIC PIPE COMPLETE SET | | 1 | | |
| G10 | 1912G5-3 | BENT PIPE COMPLETE SET | | 1 | | |

Please state Parts No. when your order.

Print Date 01/27/2025