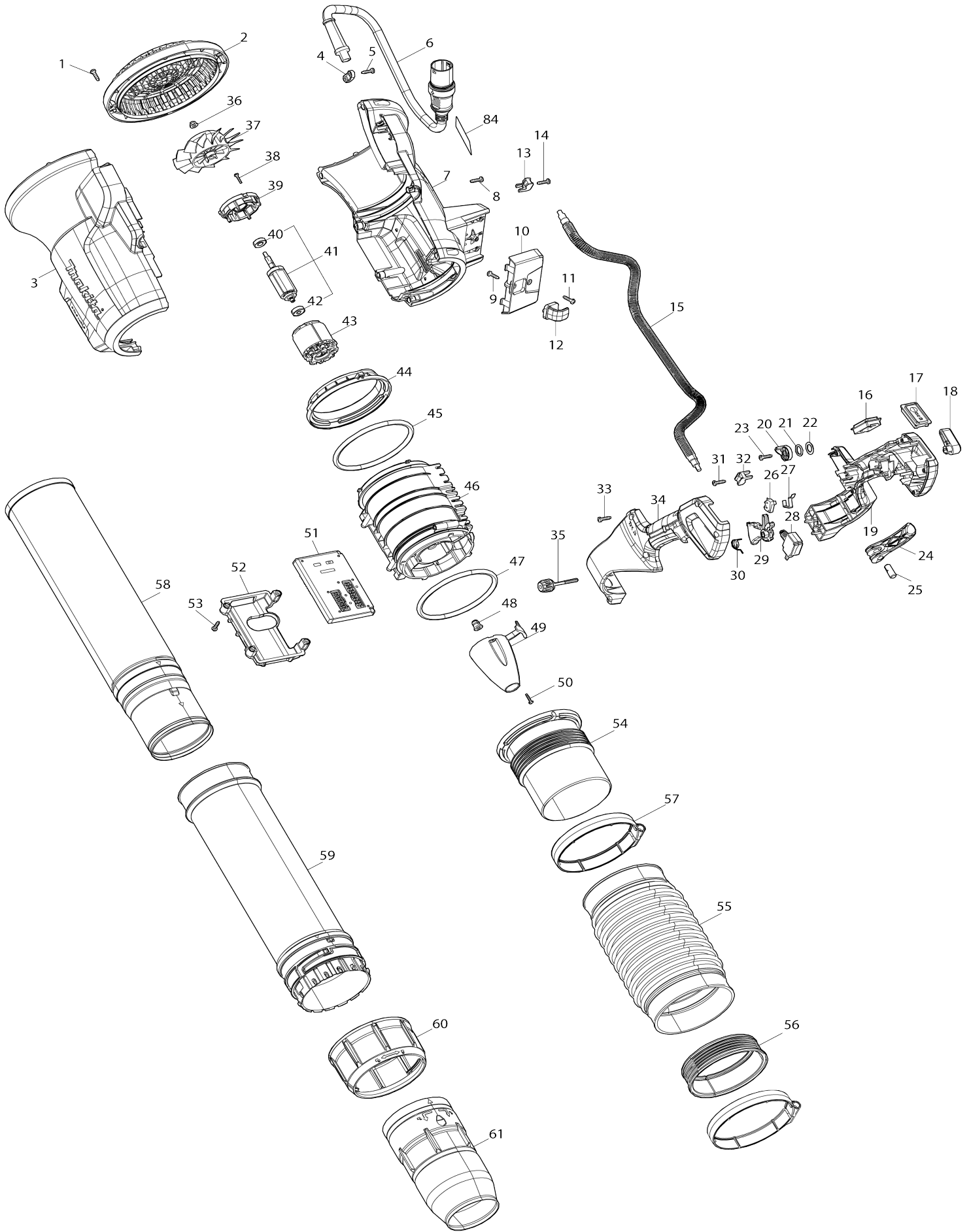
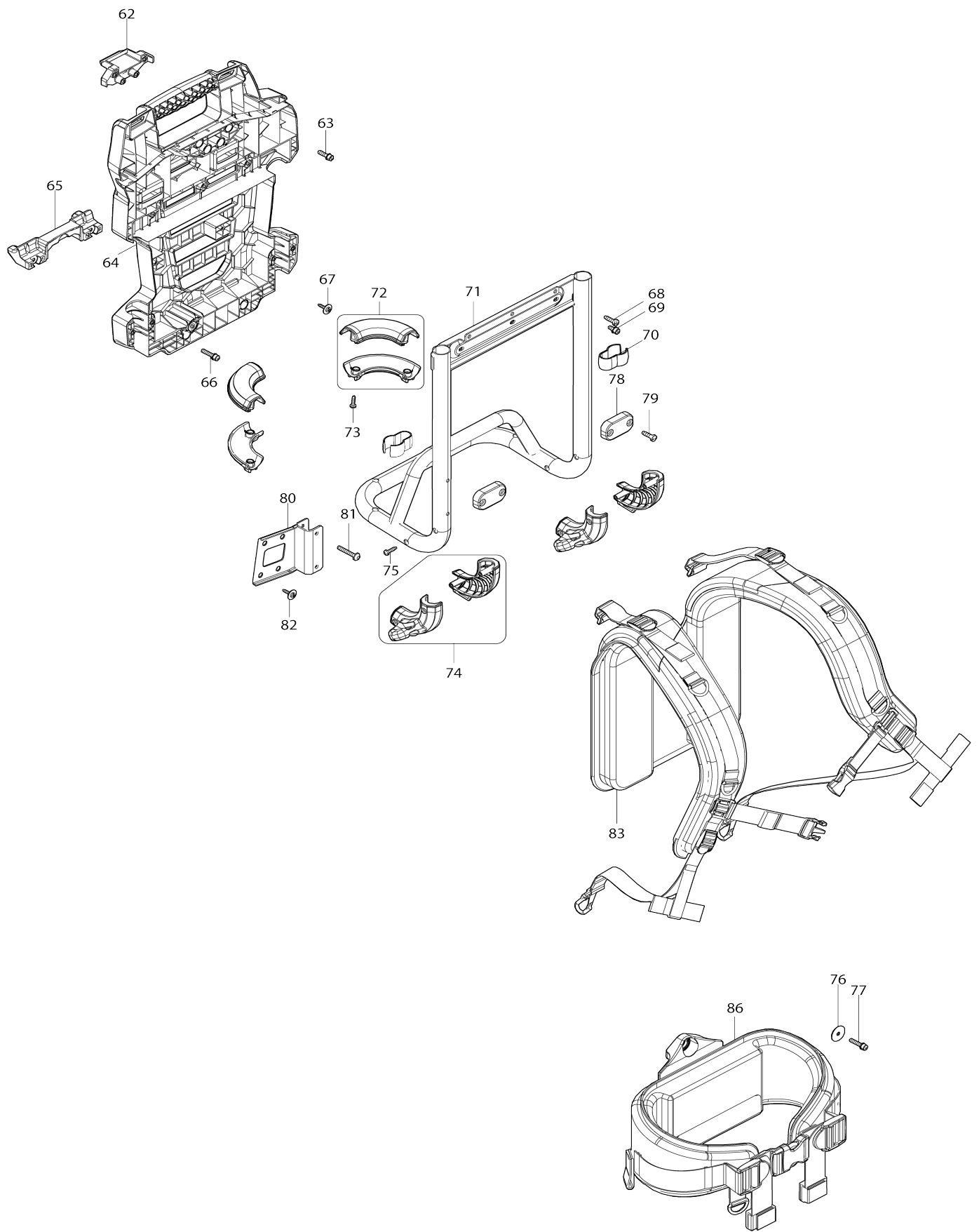


Model No.UB004C BATTERY POWERED BKPK BLOWER



Model No.UB004C BATTERY POWERED BKPK BLOWER



Model No.UB004C BATTERY POWERED BKPK BLOWER

Item No.	Parts No.	Description	Interchangeability	Q'ty	New/Old	Note1	Note2
001	266326-2	TAPPING SCREW 4X18		4			
002	413X98-6	REAR COVER		1			
003	1830S3-3	HOUSING SET		1	*		
C10	8011Y4-4	CAUTION LABEL		1	*		
003		INC. 7			*		
003-1	1830S3-3	HOUSING SET	O	1			
C10	8012T7-9	CAUTION LABEL	O	1			
003-1		INC. 7					
004	687149-9	STRAIN RELIEF		1			
005	266326-2	TAPPING SCREW 4X18		2			
006	699239-6	POWER SUPPLY CORD UNIT		1			
007	1830S3-3	HOUSING SET		1	*		
C10	8011Y4-4	CAUTION LABEL		1	*		
007		INC. 3			*		
007-1	1830S3-3	HOUSING SET	O	1			
C10	8012T7-9	CAUTION LABEL	O	1			
007-1		INC. 3					
008	266326-2	TAPPING SCREW 4X18		8			
009	266326-2	TAPPING SCREW 4X18		1			
010	413X89-7	FRAME COVER		1			
011	266326-2	TAPPING SCREW 4X18		1			
012	413Y30-6	CLAMP		1			
013	687260-7	STRAIN RELIEF		1			
014	266326-2	TAPPING SCREW 4X18		1			
015	699240-1	POWER SUPPLY CORD UNIT		1			
016	620N41-0	SWITCH CIRCUIT COMPLETE		1			
017	620N42-8	SWITCH CIRCUIT COMPLETE		1			
018	413G66-7	CONTROL LEVER		1			
019	1830J3-0	LEVER CASE SET		1			
019		INC. 34					
020	412754-1	LINK		1			
021	213154-6	O RING 14		1			
022	253798-0	FLAT WASHER 13		1			
023	266326-2	TAPPING SCREW 4X18		1			
024	413Y06-3	LEVER		1			
025	256A58-5	PIN 9		1			
026	632V43-2	SWITCH UNIT		1			
027	232634-3	LEAF SPRING		1			
028	650056-9	SWITCH C3JR-1AT-PAXD5		1			
029	413X92-8	SWITCH LEVER		1			
030	232853-1	TORSION SPRING 12		1			
031	266326-2	TAPPING SCREW 4X18		1			
032	687260-7	STRAIN RELIEF		1			
033	266326-2	TAPPING SCREW 4X18		6			
034	1830J3-0	LEVER CASE SET		1			
034		INC. 19					
035	413Y07-1	THUMB SCREW M5X45		1			

036	252286-4	COLLARED HEX.LOCK NUT M5-8	1		
037	240237-9	FAN 110	1		
038	266130-9	TAPPING SCREW BIND PT 3X16	4		
039	413X94-4	MOTOR HOUSING COVER	1		
040	211166-3	BALL BEARING 698DDW	1		
041	519847-6	ROTOR ASSEMBLY	1		
041		INC. 40,42			
042	210310-9	BALL BEARING 626DDW	1		
043	629C63-1	STATOR	1		
044	413X97-8	REAR RETAINER	1		
045	424721-4	RUBBER RING 115	1		
046	137129-0	MOTOR HOUSING ASSEMBLY	1		
C10	263005-3	RUBBER PIN 6	2		
047	424721-4	RUBBER RING 115	1		
048	422879-3	GROMMET	1		
049	413X95-2	CAP	1		
050	266130-9	TAPPING SCREW BIND PT 3X16	3		
051	620N68-0	CONTROLLER	1		
052	413Y00-5	CONTROLLER CASE COVER	1		
053	266326-2	TAPPING SCREW 4X18	4		
054	413X96-0	FRONT PIPE	1		
055	413X99-4	FLEXIBLE PIPE 118	1		
056	413Y01-3	SWIVEL RING	1		
057	122G27-3	HOSE CLAMP 120 ASSEMBLY	2		
C10	911258-5	PAN HEAD SCREW M5X35	2		
C20	252103-8	HEX. LOCK NUT M5-8	2		
058	413Y02-1	MIDDLE PIPE	1		
059	141V13-5	PIPE COMPLETE	1		
060	413Y52-6	LOCK RING	1		
061	413Y04-7	END NOZZLE 81	1		
062	312E43-3	TOP HOLDER	1		
063	922233-6	H.S.H.BOLT M5X20 WITH WR	4		
064	141V12-7	FRAME COMPLETE	1		
C10	8073L7-7	INDICATION LABEL	1		
065	312E44-1	BOTTOM HOLDER	1		
066	922243-3	HEX. SOCKET HEAD BOLT M5X25	2		
067	265620-9	TAPPING SCREW FLANGE 4X18	2		
068	266021-4	TAPPING SCREW 5X20	3		
069	922213-2	H.S.H.BOLT M5X12 WITH WR	3		
070	457458-8	CLAMP	2		
071	162D16-8	PIPE FRAME COMPLETE	1		
072	183W34-7	FOOT HOUSING SET	2		
073	266326-2	TAPPING SCREW 4X18	4		
074	1830J4-8	FOOT HOUSING R SET	2		
075	266326-2	TAPPING SCREW 4X18	4		
076	253783-3	FLAT WASHER 6	1		
077	922243-3	HEX. SOCKET HEAD BOLT M5X25	1		
078	413Y05-5	PIPE FRAME COVER	2		
079	266021-4	TAPPING SCREW 5X20	4		
080	347C24-6	BRACKET	1		
081	265D60-5	HEX.SOCKET BUTTON HEAD BOL T M5	2		

082	265620-9	TAPPING SCREW FLANGE 4X18		4		
083	162D22-3	BAND COMPLETE		1		
084	8143E9-7	UB004C NAME PLATE		1		
086	162D23-1	CUSHION COMPLETE		1		
A01	162D24-9	PIPE SUPPORT BELT COMPLETE		1		
A02	162D25-7	PIPE BELT COMPLETE		1		
A03	1914H0-2	END NOZZLE 74 SET		1		
A04	1914H1-0	FLAT NOZZLE SET		1		
A05	162D24-9	PIPE SUPPORT BELT COMPLETE		1		
E01	891805-7	SOUND 98DB LABEL		1		

Please state Parts No. when your order.

Print Date 09/23/2024