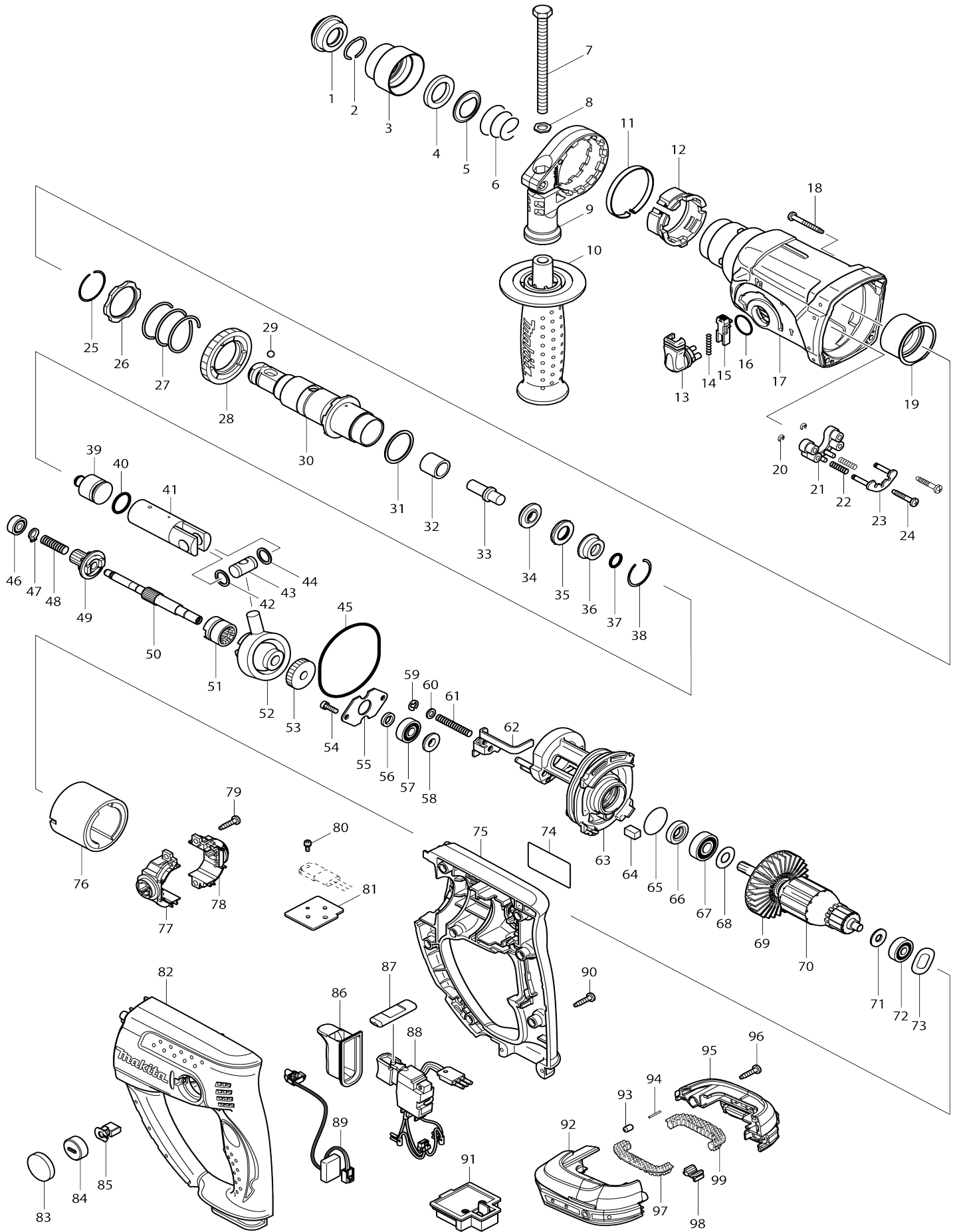


Model No.DHR202 CORDLESS COMBINATION HAMMER



Model No.DHR202 CORDLESS COMBINATION HAMMER

Item No.	Parts No.	Description	Interchangability	Q'ty	New/Old	Note1	Note2
001	286263-4	CAP 35		1			
002	233940-9	RING SPRING 19		1			
003	417629-9	CHUCK COVER		1			
004	257241-1	RING 21		1			
005	345187-4	GUIDE WASHER		1			
006	233916-6	CONICAL COMP. SPRING 21-29		1			
007	921923-8	HEX. BOLT M8X120		1			
008	345280-4	HEX. WASHER		1			
009	417630-4	GRIP BASE		1			
010	158057-6	GRIP 36 COMPLETE		1			
C10	931402-8	HEX. NUT M8		1			
013	162245-9	CHANGE LEVER		1			
014	233459-8	COMPRESSION SPRING 3		1			
015	419192-8	LOCK BUTTON		1			
016	213278-8	O RING 17		1			
017	158216-2	GEAR HOUSING COMPLETE		1			
C10	213345-9	OIL SEAL 25		1			
018	266351-3	TAPPING SCREW 4X35		4			
019	153290-5	NEEDLE BEARING COMPLETE		1			
020	961017-7	STOP RING E-3		2			
021	417796-0	GUIDE BASE		1			
022	233344-5	COMPRESSION SPRING 4		2			
023	163430-7	LOCK PLATE COMPLETE		1			
024	266374-1	TAPPING SCREW 4X25		2			
025	233929-7	RING SPRING 29		1			
026	267460-1	WASHER 31		1			
027	233401-9	COMPRESSION SPRING 32		1			
028	227109-5	SPUR GEAR 51		1			
029	216022-2	STEEL BALL 7.0		1			
030	158574-6	TOOL HOLDER COMPLETE		1			
031	267229-3	FLAT WASHER 28		1			
032	331769-8	SLEEVE 9		1			
033	324669-9	IMPACT BOLT		1			
034	324402-9	RING 10		1			
035	421955-0	CUSHION RING 13		1			
036	324216-6	O RING CASE		1			
037	213073-6	O RING 9		1			
038	233917-4	RING SPRING 28		1			
039	324214-0	STRIKER		1			
040	213227-5	O RING 16		1			
041	318132-2	PISTON CYLINDER		1			
042	267104-3	FLAT WASHER 12		1			
043	324215-8	PISTON JOINT		1			
044	267104-3	FLAT WASHER 12		1			
045	213727-5	O-RING 63		1			
046	211012-0	BALL BEARING 606ZZ		1	*		
046-1	210028-2	BALL BEARING 606ZZ	O	1			

047	961003-8	RETAINING RING S-7		1		
048	233343-7	COMPRESSION SPRING 7		1		
049	227179-4	SPUR GEAR 10		1		
050	324668-1	CAM SHAFT		1		
051	331992-5	CLUTCH CAM		1		
052	219014-0	SWASH BEARING 10		1	*	
052-1	219021-3	SWASH BEARING 10	O	1		
053	226632-7	HELICAL GEAR 25		1	*	
053-1	226985-4	HELICAL GEAR 25	S	1		
054	266273-7	HEX. SOCKET HEAD BOLT M4X12		2		
055	345179-3	BEARING RETAINER		1		
056	267234-0	FLAT WASHER 8		1	*	
057	211032-4	BALL BEARING 608ZZ		1	*	
057-1	210029-0	BALL BEARING 608ZZ	O	1		
058	324212-4	RING 8		1		
059	961011-9	STOP RING E-4		1		
060	941102-2	FLAT WASHER 5		1		
061	233342-9	COMPRESSION SPRING 6		1		
062	345363-0	CHANGE PLATE		1		
063	141574-3	INNER HOUSING COMPLETE		1		
065	213407-3	O RING 26		1		
066	213077-8	OIL SEAL 10		1		
067	210059-1	BALL BEARING 6000DDW		1		
068	267213-8	FLAT WASHER 10		1		
069	240092-9	FAN 64		1		
070	519226-8	ARMATURE ASS'Y 18V		1		
D10		INC. 67-69,71,72				
071	253823-7	FLAT WASHER 7		1		
072	210023-2	BALL BEARING 627DDW		1		
073	267816-8	WAVE WASHER 15		1		
074	815F22-1	DHR202 NAME PLATE		1		
075	188515-8	HOUSING SET		1		
D10		INC. 82				
076	638020-0	YOKE UNIT		1		
077	638977-5	BRUSH HOLDER COMPLETE		1	*	
077-1	632U14-3	BRUSH HOLDER COMPLETE	O	1		
079	266326-2	TAPPING SCREW 4X18		2		
080	911011-9	PAN HEAD SCREW M3X10		1		
081	689070-8	HEAT SINK		1		
082	188515-8	HOUSING SET		1		
D10		INC. 75				
083	424128-4	HOLDER CAP COVER		2		
084	643829-7	HOLDER CAP		2		
085	194435-6	CARBON BRUSH CB-441		1	*	
085-1	195022-4	CARBON BRUSH SET CB-441	O	1		
086	424111-1	SWITCH COVER		1		
087	450615-7	F/R CHANGE LEVER		1		
088	638882-6	SWITCH UNIT		1		
C10	654199-9	RECEPTACLE		2		
089	631792-6	LIGHT CIRCUIT		1		
090	266326-2	TAPPING SCREW 4X18		7		
091	644808-8	TERMINAL		1		

092	187212-3	BATTERYHOUSING SET		1		
C10	263005-3	RUBBER PIN 6		2		
D10		INC. 95				
093	263036-2	RUBBER PIN 5		1		
094	268184-2	PIN 1.5		1		
095	187212-3	BATTERYHOUSING SET		1		
C10	263005-3	RUBBER PIN 6		2		
D10		INC. 92				
096	266326-2	TAPPING SCREW 4X18		2		
097	424042-4	CUSHION RUBBER		1		
098	424476-1	CUSHION		1		
099	424042-4	CUSHION RUBBER		1		
100	123100-0	TOOL HOLDER ASS'Y		1		
D10		INC. 25-28,30,32-38				
A01	324219-0	DEPTH GAUGE		1		
B01	195193-7	HAMMER SERVICE KIT SET		1		
C10	195127-0	OIL VESSEL SET		1		
D10		INC. 1,29,35,37,38,40,85				
F25	192349-3	JOINT 25		1		
F30	194649-7	BATTERY PROTECTOR		1		
C10	251314-2	+ SCREW M4X12		2		
F36-2	196235-0	BATTERY BL1815N SET	O	1		
F37-1	196449-1	BATTERY BL1815N SET	O	1		
F38-2	196449-1	BATTERY BL1815N SET	O	1		
A02	194204-5	BATTERY BL1830 SET		2	*	
A02-1	194204-5	BATTERY BL1830 SET	O	2	*	
A02-2	197600-6	BATTERY BL1830B SET	<	2	*	
A02-3	197600-6	BATTERY BL1830B SET	O	2		
A03	450128-8	BATTERY COVER		1		
A04	***DC18RC	DC18RC FAST CHARGER		1		
A05	141642-2	PLASTIC CASE COMPLETE		1		
C10	163455-1	LATCH		2		
A05	821551-8	CONNECTOR PLASTIC CASE (TYP E3)		1		
C10	453974-8	LATCH		4		
A06	837634-4	INNER TRAY		1		
A07	802W02-8	DHR202RFJ INDICATION LABEL		1		
A08	802W04-4	DHR202RFJ PLASTIC CASE LABEL		2		
A02	821551-8	CONNECTOR PLASTIC CASE (TYP E3)		1		
C10	453974-8	LATCH		4		
A03	837634-4	INNER TRAY		1		
A04	802W03-6	DHR202ZJ INDICATION LABEL		1		
A05	802W05-2	DHR202ZJ PLASTIC CASE LABEL		2		
A02	196399-0	BATTERY BL1840 SET		2	*	
A02-1	196399-0	BATTERY BL1840 SET	O	2	*	
A02-2	197265-4	BATTERY BL1840B SET	<	2	*	
A02-3	197265-4	BATTERY BL1840B SET	O	2		
A07	802W00-2	DHR202RMJ INDICATION LABEL		1		
A08	802W01-0	DHR202RMJ PLASTIC CASE LABEL		2		
A04	803X48-3	DHR202YJ INDICATION LABEL		1	*	
A04-1	805U28-7	DHR202Y1J INDICATION LABEL	<	1		

A05	803X49-1	DHR202YJ PLASTIC CASE LABEL		2	*		
A05-1	805U29-5	DHR202Y1J PLASTIC CASE LABEL	<	2			
A06	196235-0	BATTERY BL1815N SET		1	*		
A06-1	196235-0	BATTERY BL1815N SET	O	1			
A02	196671-0	BATTERY BL1850 SET		2	*		
A02-1	197280-8	BATTERY BL1850B SET	<	2	*		
A02-2	197280-8	BATTERY BL1850B SET	O	2			
A07	806F83-2	DHR202RTJ INDICATION LABEL		1			
A08	806F84-0	DHR202RTJ PLASTIC CASE LABEL		2			
A02-1	196235-0	BATTERY BL1815N SET		2			
A04	***DC18SD	DC18SD BATTERY CHARGER		1			

Please state Parts No. when your order.

Print Date 08/28/2024