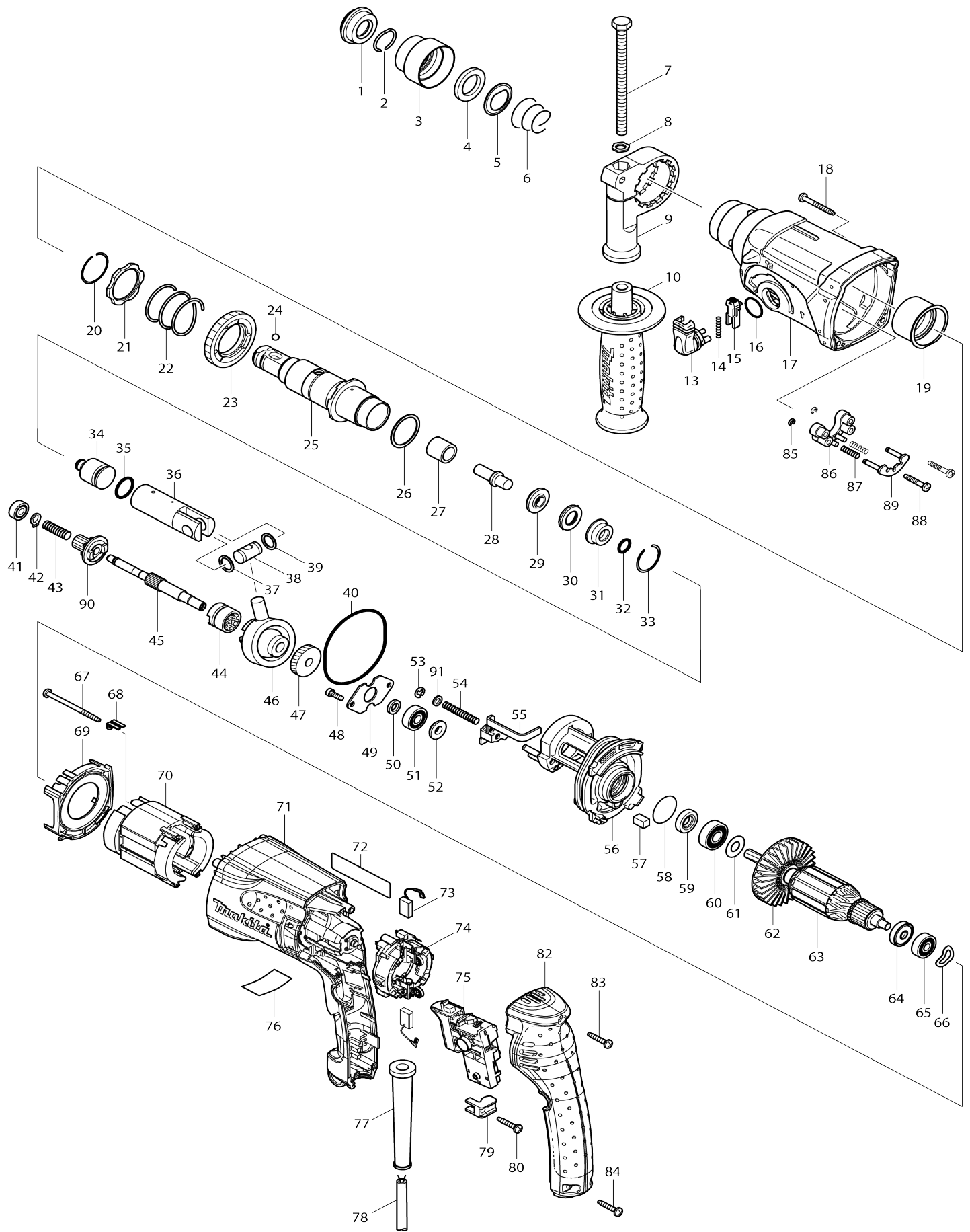


Model No.HR2470 ROTARY HAMMER 24MM



Model No.HR2470 ROTARY HAMMER 24MM

Item No.	Parts No.	Description	Interchangability	Q'ty	New/Old	Note1	Note2
001	286263-4	CAP 35		1			
002	233940-9	RING SPRING 19		1			
003	417629-9	CHUCK COVER		1			
004	257241-1	RING 21		1			
005	345187-4	GUIDE WASHER		1			
006	233916-6	CONICAL COMP. SPRING 21-29		1			
007	921923-8	HEX. BOLT M8X120		1	*		
007-1	265583-9	HEX. BOLT M8X120	O	1			
008	345280-4	HEX. WASHER		1			
009	417630-4	GRIP BASE		1			
010	158057-6	GRIP 36 COMPLETE		1			
C10	931402-8	HEX. NUT M8		1			
013	162245-9	CHANGE LEVER		1			
014	233459-8	COMPRESSION SPRING 3		1			
015	419192-8	LOCK BUTTON		1			
016	213278-8	O RING 17		1			
017	158216-2	GEAR HOUSING COMPLETE		1			
C10	213965-9	OIL SEAL 25		1	*		
C11	213345-9	OIL SEAL 25	O	1			
018	266351-3	TAPPING SCREW 4X35		4	*		
018-1	265B69-5	TAPPING SCREW 4X35	O	4			
019	153290-5	NEEDLE BEARING COMPLETE		1			
020	233929-7	RING SPRING 29		1			
021	267791-8	WASHER 31		1	*		
021-1	267460-1	WASHER 31	O	1			
022	233401-9	COMPRESSION SPRING 32		1			
023	227109-5	SPUR GEAR 51		1			
024	216022-2	STEEL BALL 7.0		1			
025	158217-0	TOOL HOLDER COMPLETE		1	*		
025-1	158574-6	TOOL HOLDER COMPLETE	<	1			
026	267229-3	FLAT WASHER 28		1			
027	331769-8	SLEEVE 9		1			
028	324669-9	IMPACT BOLT		1			
029	324402-9	RING 10		1			
030	421955-0	CUSHION RING 13		1			
031	324216-6	O RING CASE		1			
032	213073-6	O RING 9		1			
033	233917-4	RING SPRING 28		1			
034	324733-6	STRIKER		1			
035	213227-5	O RING 16		1			
036	318132-2	PISTON CYLINDER		1			
037	267104-3	FLAT WASHER 12		1			
038	324215-8	PISTON JOINT		1			
039	267104-3	FLAT WASHER 12		1			
040	213727-5	O-RING 63		1			
041	211012-0	BALL BEARING 606ZZ		1	*		
041-1	210028-2	BALL BEARING 606ZZ	O	1			

042	961003-8	RETAINING RING S-7		1		
043	233343-7	COMPRESSION SPRING 7		1		
044	331768-0	CLUTCH CAM		1	*	
044-1	331992-5	CLUTCH CAM	<	1		
045	324668-1	CAM SHAFT		1		
046	219014-0	SWASH BEARING 10		1	*	
046-1	219021-3	SWASH BEARING 10	O	1		
047	226656-3	HELICAL GEAR 26		1		
048	266273-7	HEX. SOCKET HEAD BOLT M4X12		2		
049	345179-3	BEARING RETAINER		1		
050	267234-0	FLAT WASHER 8		1		
051	211032-4	BALL BEARING 608ZZ		1	*	
051-1	210029-0	BALL BEARING 608ZZ	O	1		
052	324212-4	RING 8		1		
053	961011-9	STOP RING E-4		1		
054	233342-9	COMPRESSION SPRING 6		1		
055	345363-0	CHANGE PLATE		1		
056	158215-4	INNER HOUSING COMPLETE		1	*	
056-1	141574-3	INNER HOUSING COMPLETE	S	1		
057	443126-9	FELT		1	*	
058	213407-3	O RING 26		1		
059	213077-8	OIL SEAL 10		1	*	
059-1	213A72-4	OIL SEAL 10	O	1		
060	210059-1	BALL BEARING 6000DDW		1		
061	267213-8	FLAT WASHER 10		1		
062	240092-9	FAN 64		1		
063	515289-2	ARMATURE ASS'Y 240V		1	*	
D10		INC. 60-62,64,65				
063-1	517984-0	ARMATURE ASSY 240V	O	1		
D10		INC. 60-62,64,65				
064	681652-2	INSULATION WASHER		1	*	
064-1	681670-0	INSULATION WASHER	<	1		
065	210023-2	BALL BEARING 627DDW		1		
066	267804-5	WAVE WASHER 15		1		
067	266334-3	TAPPING SCREW 4X60		2	*	
067-1	265D36-2	TAPPING SCREW 4X60	O	2		
068	344871-8	RETAINER		2		
069	419716-0	BAFFLE PLATE		1		
070	626579-9	FIELD 240V		1	*	
070-1	621884-9	FIELD 240V	O	1	*	
070-2	621884-9	FIELD 240V	O	1		
071	419731-4	MOTOR HOUSING		1		
072	863538-4	HR2470 NAME PLATE		1		
073	194074-2	CARBON BRUSH CB-325		1		
074	638500-6	BRUSH HOLDER UNIT		1		
075	650588-6	SWITCH C3VA-2L-C		1		
076	814963-2	HR2470 SERIAL NO.LABEL		1		
077	682566-8	CORD GUARD 10		1		
078	665890-4	POWER SUPPLY CORD 1.0-2-4.0		1		
079	687260-7	STRAIN RELIEF		1		
080	266324-6	TAPPING SCREW 4X22		1	*	
080-1	265B46-7	TAPPING SCREW 4X22	O	1		

082	419717-8	HANDLE COVER		1			
083	266324-6	TAPPING SCREW 4X22		1	*		
083-1	265B46-7	TAPPING SCREW 4X22	O	1			
084	266324-6	TAPPING SCREW 4X22		2	*		
084-1	265B46-7	TAPPING SCREW 4X22	O	2			
085	961017-7	STOP RING E-3		2			
086	417796-0	GUIDE BASE		1			
087	233344-5	COMPRESSION SPRING 4		2			
088	266374-1	TAPPING SCREW 4X25		2	*		
088-1	265B73-4	TAPPING SCREW 4X25	O	2			
089	163430-7	LOCK PLATE COMPLETE		1			
090	227179-4	SPUR GEAR 10		1			
091	941102-2	FLAT WASHER 5		1	*		
091-1	253542-5	FLAT WASHER 5	O	1			
092	819358-4	CLEAR LABEL		1	*		
092-1	892830-1	CLEAR LABEL	<	1	*		
092-2	816R96-7	CLEAR LABEL	O	1	*		
093	819364-9	CLEAR LABEL		1	*		
093-1	892829-6	CLEAR LABEL		1	*		
093-2	816R95-9	CLEAR LABEL	O	1	*		
094	122881-3	TOOL HOLDER ASS'Y		1	*		
D10		INC. 20-23,25,27-33					
094-1	123100-0	TOOL HOLDER ASS'Y	O	1			
D10		INC. 20-23,25,27-33					
A01	324219-0	DEPTH GAUGE		1			
A02	824799-1	PLASTIC CARRYING CASE		1			
C10	324319-6	SHAFT		1			
C20	417724-5	LATCH		2			
C30	419216-0	HANDLE		1			
A03	805439-0	HR2470 PLASTIC CASE LABEL		1	*		
A03-1	816S12-5	HR2470 PLASTIC CASE LABEL	X	1			
B01	195263-2	HAMMER SERVICE KIT SET		1			
C10	195127-0	OIL VESSEL SET		2			
D10		INC. 1,24,30,32,33,35,73					
F25	192349-3	JOINT 25		1			
G12	1914X3-8	DUST EXTRACTION PAD SET		1			
A03	809H64-7	HR2470X12 PLASTIC CASE LABEL		1	*		
A03-1	816S27-2	HR2470X12 PLASTIC CASE LABEL	X	1			
A04	D-58914	SDS-PLUS TCT DRILL 5 PC. SET.		1			
A03	809H66-3	HR2470X13 PLASTIC CASE LABEL		1	*		
A03-1	816S30-3	HR2470X13 PLASTIC CASE LABEL	X	1			
A04	D-58920	SDS-PLUS DRILL/CHISEL 6 PCS.		1			
071	458025-2	MOTOR HOUSING		1			
082	458026-0	HANDLE COVER		1			
A02	821544-5	PLASTIC CARRYING CASE		1			
A03	816A36-3	HR2470BX40 PLASTIC CASE LABEL		1	*		
A03-1	816S39-5	HR2470BX40 PLASTIC CASE LABEL	X	1			
A04	B-55784	CENTERING TIP FOR SDS-PLUS 5 PC. SET		1			
A03-1	816S33-7	HR2470X16 PLASTIC CASE LABEL		1			

A04	D-46361	SDS-PLUS DRILL & CHISEL 10PC		1	*		
A04-1	D-46361	SDS-PLUS DRILL & CHISEL 10PC	<	1			
A03-1	816S21-4	HR2470X10 PLASTIC CASE LABEL		1			
A04	D-20111	13PCS BITS/CHISEL FOR SDS-PLU S		1			

Please state Parts No. when your order.

Print Date 09/16/2024