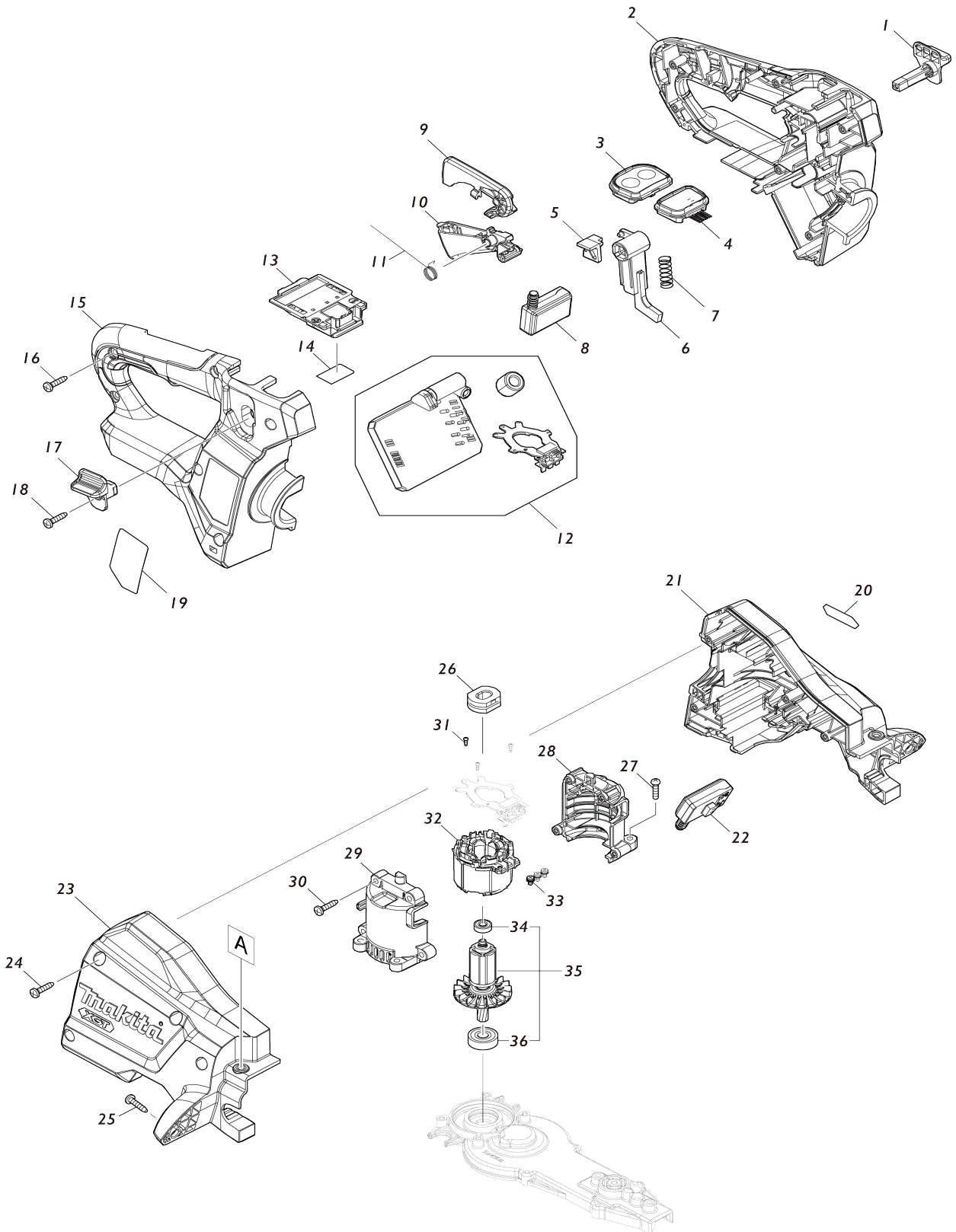
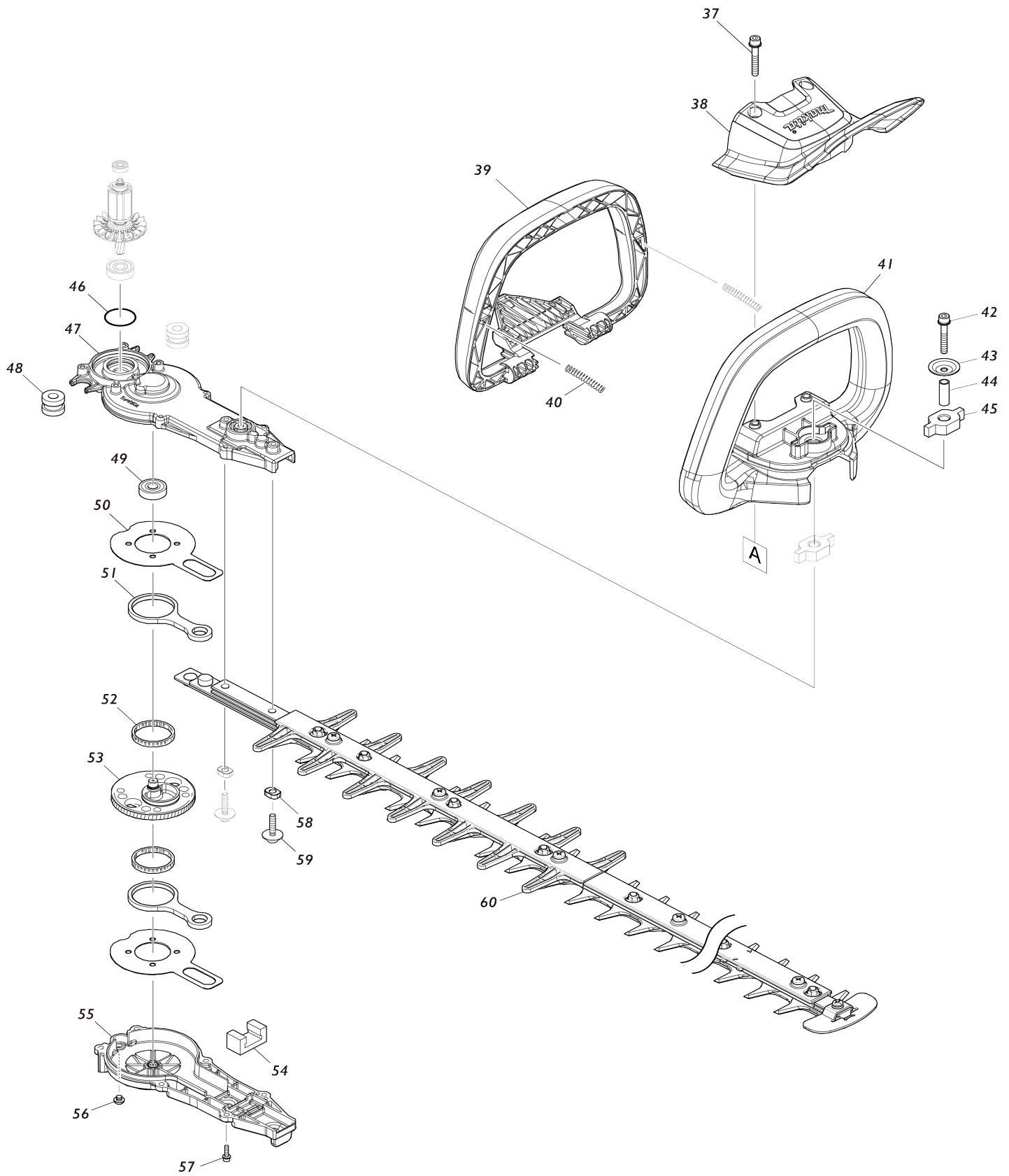


Model No.UH006G 600MM CORDLESS HEDGE TRIMMER



Model No.UH006G 600MM CORDLESS HEDGE TRIMMER



Model No.UH006G 600MM CORDLESS HEDGE TRIMMER

Item No.	Parts No.	Description	Interchangeability	Q'ty	New/Old	Note1	Note2
001	458406-0	LOCK LEVER L		1			
002	183T66-6	HANDLE SET		1	*		
C10	263005-3	RUBBER PIN 6		2	*		
C20	8034N8-3	CAUTION LABEL		1	*		
D10		INC. 15					
002-1	1830P7-4	HANDLE SET	O	1			
C10	263005-3	RUBBER PIN 6		2			
C20	8074J9-5	CAUTION LABEL		1			
D10		INC. 15					
003	141D66-6	SWITCH CIRCUIT COMPLETE E		1			
C10	8034K3-2	SWITCH LABEL		1			
004	140W63-3	INDICATION CIRCUIT COMPLETE		1			
005	458570-7	SLIDER		1			
006	458405-2	LOCK ARM		1			
007	234204-4	COMPRESSION SPRING 8		1			
008	651083-9	SWITCH C3XA-1PSPM		1			
009	458403-6	LOCK OFF LEVER		1			
010	413792-6	SWITCH LEVER R		1			
011	232454-5	TORSION SPRING 10		1			
012	620E56-3	CONTROLLER		1	*		
C10	688163-8	LINE FILTER		1	*		
C20	688164-6	LINE FILTER		1	*		
012-1	620N07-0	CONTROLLER	<	1			
C10	688163-8	LINE FILTER		1			
C20	688164-6	LINE FILTER		1			
013	632P64-8	TERMINAL UNIT		1			
014	811J28-1	UH006G SERIAL NO. LABEL		1			
015	183T66-6	HANDLE SET		1	*		
C10	263005-3	RUBBER PIN 6		2	*		
C20	8034N8-3	CAUTION LABEL		1	*		
D10		INC. 2					
015-1	1830P7-4	HANDLE SET	O	1			
C10	263005-3	RUBBER PIN 6		2			
C20	8074J9-5	CAUTION LABEL		1			
D10		INC. 2					
016	266326-2	TAPPING SCREW 4X18		6			
017	458407-8	LOCK LEVER R		1			
018	266326-2	TAPPING SCREW 4X18		1			
019	811J22-3	UH006G NAME PLATE		1			
020	8025F3-0	XGT LOGO LABEL		1			
021	183S95-3	HOUSING SET		1			
C10	424344-8	DAMPER		4			
D10		INC. 23					
022	651083-9	SWITCH C3XA-1PSPM		1			
023	183S95-3	HOUSING SET		1			
C10	424344-8	DAMPER		4			
D10		INC. 21					

024	266326-2	TAPPING SCREW 4X18		4		
025	266326-2	TAPPING SCREW 4X18		2		
026	422261-6	RUBBER SLEEVE		1		
027	911128-8	P.H.SCREW M4X16 WITH WR		4		
028	183S94-5	MOTOR HOUSING SET		1		
D10		INC. 29				
029	183S94-5	MOTOR HOUSING SET		1		
D10		INC. 28				
030	266326-2	TAPPING SCREW 4X18		4		
031	266490-9	TAPPING SCREW PT 2X6		3		
032	629A75-2	STATOR		1		
033	652069-6	FLAT HEAD SCREW M3X6		3		
034	211157-4	BALL BEARING 695ZZ		1		
035	519695-3	ROTOR ASSY		1		
D10		INC. 34,36				
036	210005-4	BALL BEARING 608DDW		1		
037	265182-7	+ PAN HEAD SCREW M5X25		2		
038	458399-1	PROTECTOR		1		
039	458402-8	SWITCH LEVER F		1		
040	233222-9	COMPRESSION SPRING 5		2		
041	413791-8	FRONT GRIP E		1		
042	251476-6	H.S.H.BOLT M5X35 WITH WR		1	*	
042-1	265D13-4	H.S.H.BOLT M5X35 WITH WRM	O	1		
043	253416-0	DISH WASHER 5		1		
044	257678-2	SLEEVE 6		1		
045	422260-8	RUBBER SLEEVE 8		2		
046	213961-7	O RING 22		1		
047	141C50-5	GEAR HOUSING COMPLETE		1	*	
C10	263002-9	RUBBER PIN 4		1	*	
C20	424344-8	DAMPER		1	*	
047-1	141C50-5	GEAR HOUSING COMPLETE	O	1		
C10	263002-9	RUBBER PIN 4		1		
C20	424344-8	DAMPER		1		
048	422725-0	RUBBER SLEEVE 8		2		
049	211032-4	BALL BEARING 608ZZ		1		
050	347361-0	FRICION PLATE		2		
051	347662-6	CONNECTING ROD		2		
052	212229-8	NEEDLE CAGE 315		2		
053	141C49-0	GEAR COMPLETE		1		
054	443159-4	SEAL		1		
055	141C46-6	GEAR HOUSING COVER COMPLETE		1	*	
055-1	141H42-4	GEAR HOUSING COVER COMPLETE	O	1		
056	266559-9	H.S.BUTTON HEAD BOLT M6X4		1		
057	922128-3	HEX. SOCKET HEAD BOLT M4X16		6		
058	257859-8	SLEEVE 5		2		
059	265A89-3	H.S.H.BOLT M5X25 WITH WR		2		
060	191R55-5	SHEAR BLADE 600 R SET		1	*	
C10	199450-5	GREASE VESSEL SET		1	*	
C20	413794-2	GUARD R		1	*	
C30	413795-0	SPACER 600 R		1	*	

C40	915211-3	BINDING HEAD SCREW M5X12		5	*		
D10		INC, 58					
060-1	191R55-5	SHEAR BLADE 600 R SET	O	1			
C10	199450-5	GREASE VESSEL SET		1			
C20	413794-2	GUARD R		1			
C30	413795-0	SPACER 600 R		1			
C40	915211-3	BINDING HEAD SCREW M5X12		5			
C50	347B07-0	BRUNCH CATCHER		1			
C60	911208-0	PAN HEAD SCREW M5X10		1			
C70	265C92-6	COLLARED HEX. LOCK NUT M5-8		7			
C80	257899-6	SLEEVE 5		7			
C85	253553-0	FLAT WASHER 5		7			
C90	265C91-8	+TRUSS HEAD SCREW M5X22		7			
D10		INC, 58					
A01	412911-1	BLADE COVER 600		1			
E01	800A66-4	SOUND 91DB LABEL		1			
F02	191R55-5	SHEAR BLADE 600 R SET		1			
F03	199450-5	GREASE VESSEL SET		1			
A04	***DC40RA	DC40RA FAST CHARGER		1			
D10		COMPO-PARTS					
A05	191B26-6	BATTERY BL4040 SET		2			
A06	412393-7	BATTERY COVER		2			

Please state Parts No. when your order.

Print Date 06/11/2024