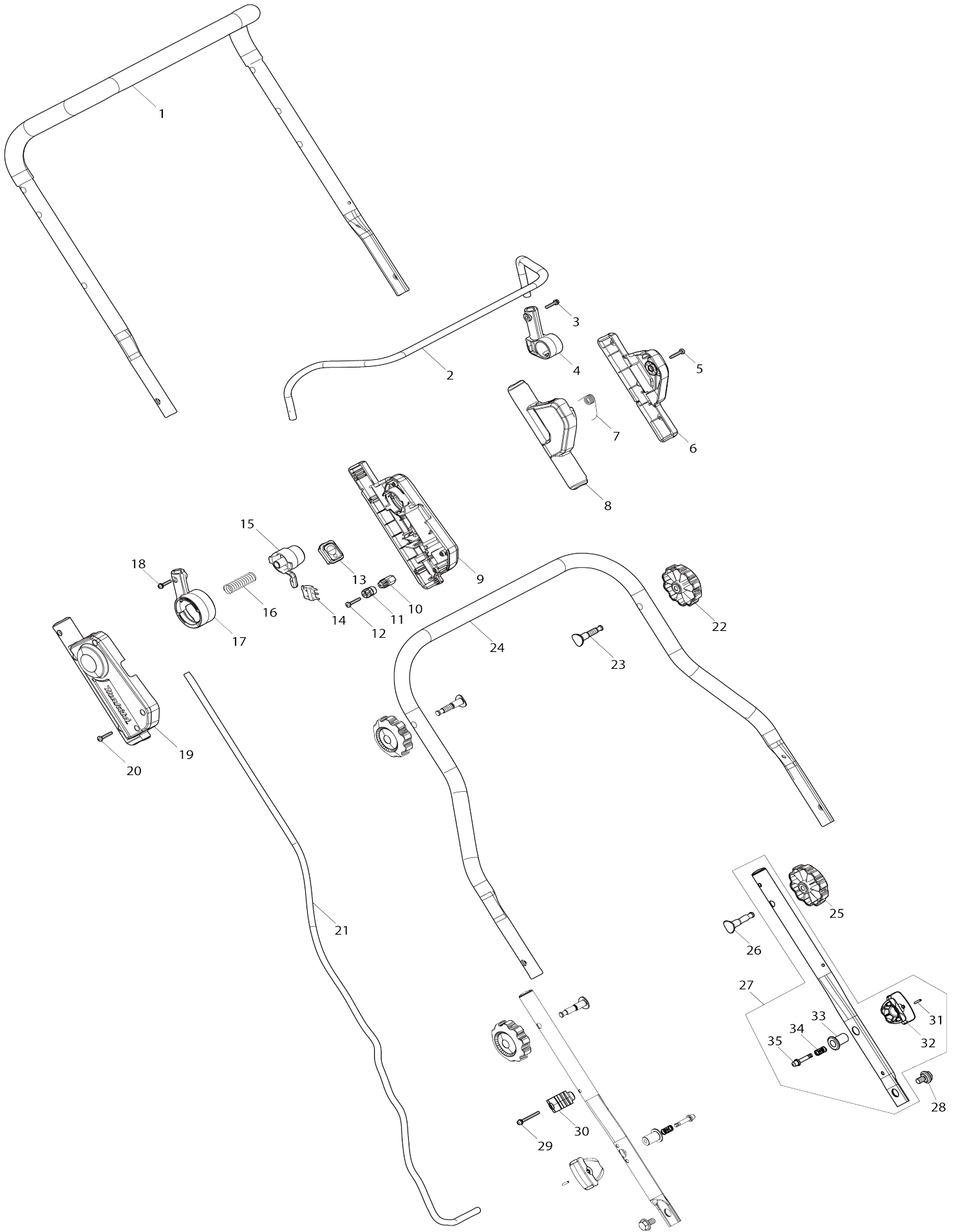
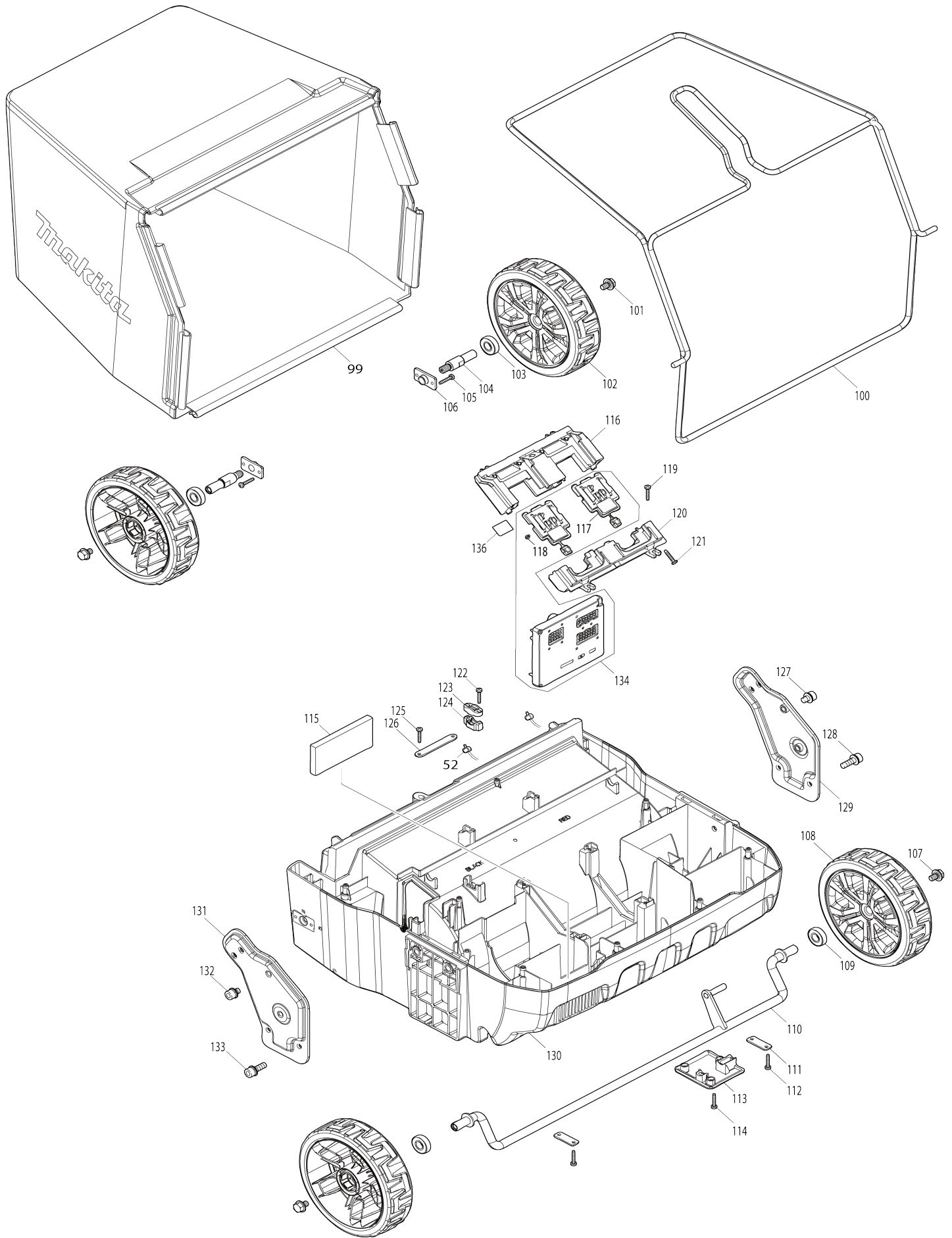


# Model No.UV001G 380MM CORDLESS SCARIFIER





# Model No.UV001G 380MM CORDLESS SCARIFIER



Model No.UV001G 380MM CORDLESS SCARIFIER

Item No.	Parts No.	Description	Interchangability	Q'ty	New/Old	Note1	Note2
001	327871-3	HANDLE UPPER		1			
002	327424-8	SWITCH LEVER		1			
003	911138-5	P.H.SCREW M4X20 WITH WR		1			
004	459863-5	SWITCH LEVER SUPPORT L		1			
005	266424-2	TAPPING SCREW 4X20		4			
006	183U21-4	LEVER BOX SET		1			
006		INC. 8					
007	232575-3	TORSION SPRING 12		1			
008	183U21-4	LEVER BOX SET		1			
008		INC. 6					
009	1830B2-6	SWITCH BOX SET		1			
C10	8044A1-9	INDICATION LABEL		1			
009		INC. 19					
010	687051-6	STRAIN RELIEF		1			
011	687123-7	STRAIN RELIEF		1			
012	266424-2	TAPPING SCREW 4X20		2			
013	140X08-7	SWITCH CIRCUIT COMPLETE		1			
014	632T11-3	SWITCH UNIT		1			
015	459857-0	LOCK OFF BUTTON		1			
016	231227-3	COMPRESSION SPRING 15		1			
017	459856-2	SWITCH LEVER SUPPORT R		1			
018	911138-5	P.H.SCREW M4X20 WITH WR		1			
019	1830B2-6	SWITCH BOX SET		1			
C10	8044A1-9	INDICATION LABEL		1			
019		INC. 9					
020	266424-2	TAPPING SCREW 4X20		6			
021	699226-5	POWER SUPPLY CORD UNIT		1			
022	265C06-5	THUMB NUT M8		2			
023	265C08-1	FLAT HEAD BOLT M8X50		2			
024	327C02-2	HANDLE MIDDLE		1			
025	265C06-5	THUMB NUT M8		2			
026	265C08-1	FLAT HEAD BOLT M8X50		2			
027	122E95-4	HANDLE LOWER ASSEMBLY		2			
027		INC. 31-35					
028	265C07-3	HEX. BOLT M8		2			
029	911163-6	PAN HEAD SCREW M4X35		1			
030	413944-9	CLAMP		1			
C10	931102-0	HEX. NUT M4		1			
031	258004-8	SPRING PIN 2.5-16		1			
032	413943-1	KNOB		1			
033	327877-1	LOCK HOLDER		1			
034	234121-8	COMPRESSION SPRING 8		1			
035	327876-3	LOCK PIN		1			
037	137022-8	BATTERY COVER ASSEMBLY		1			
C10	8025F3-0	XGT LOGO LABEL		1			
039	961018-5	STOP RING E-5		3			
040	327209-2	ROD 6		1			

041	141R98-7	REAR FLAP COMPLETE		1		
C10	8071A2-8	CAUTION LABEL		1		
042	232806-0	TORSION SPRING 8		1		
043	961018-5	STOP RING E-5		2		
044	256A39-9	ROD 6		1		
045	266424-2	TAPPING SCREW 4X20		1		
046	413R80-9	DIAL 75		1		
047	413R81-7	LOCK OFF BUTTON		1		
048	234003-4	COMPRESSION SPRING 5		1		
049	266424-2	TAPPING SCREW 4X20		9		
050	413B03-1	LOCK LEVER		1		
051	231037-8	COMPRESSION SPRING 7		1		
052	620M29-4	LED CIRCUIT		1		
053	122E94-6	COWLING ASSEMBLY		1		
053		INC. 54-56				
054	8031N0-1	INDICATION LABEL		2		
055	413R72-8	HOLDER		1		
056	266424-2	TAPPING SCREW 4X20		4		
057	413R79-4	ADJUST SCREW		1		
058	232385-8	COMPRESSION SPRING 23		1		
059	413R71-0	ADJUST SCREW HOLDER		1		
060	251306-1	+ PAN HEAD SCREW M5		1		
061	312E25-5	SHAFT HOLDER		1		
062	266021-4	TAPPING SCREW 5X20		2		
063	327C01-4	SHAFT 12		1		
064	347B58-3	BEARING RETAINER		1		
065	266026-4	TAPPING SCREW BIND CT 4X12		2		
066	413R76-0	BLADE UNDER BRACKET		1		
067	921331-3	HEX. BOLT M6X20		2		
068	1913J5-0	SCARIFYING BLADE SET		1		
069	688163-8	LINE FILTER		1		
070	459143-9	MOTOR HOUSING		1		
071	652031-1	PAN HEAD SCREW M3X6		3		
072	632R64-0	LEAD UNIT		1		
073	266490-9	TAPPING SCREW PT 2X6		3		
074	687B69-9	STOPPER		1		
075	620H75-7	CONTROLLER B		1		
076	629C28-3	STATOR		1		
077	413R69-7	BAFFLE PLATE		1		
078	266424-2	TAPPING SCREW 4X20		2		
079	210141-6	BALL BEARING 6000DDW		1	*	
079-1	210332-9	BALL BEARING 6000DDW	O	1		
080	519823-0	ROTOR ASS'Y		1	*	
080		INC 79,81			*	
080-1	519823-0	ROTOR ASS'Y	O	1		
080-1		INC 79,81				
081	210195-3	BALL BEARING 6201DDW		1		
082	251306-1	+ PAN HEAD SCREW M5		1		
083	312E24-7	PULLEY HOLDER		1		
084	266021-4	TAPPING SCREW 5X20		3		
085	266021-4	TAPPING SCREW 5X20		4		
086	222204-6	PULLEY 20		1		

087	252154-1	HEX. NUT M8-13		1		
088	327B97-9	SHAFT 17		1		
089	210126-2	BALL BEARING 6003LLU		1		
090	222205-4	PULLEY 60		1		
091	931503-2	HEX. NUT M10		1		
092	313474-9	ECCENTRIC DISK		1		
093	210044-4	BALL BEARING 608DDW		1		
094	347B45-2	PULLEY PLATE 30		1		
095	911223-4	PAN HEAD SCREW M5X16		2		
096	225108-1	SYNCHRO BELT 15-525		1		
097	413R75-2	BEARING COVER		1		
098	911128-8	P.H.SCREW M4X16 WITH WR		4		
099	162C50-2	GRASS CATCHER		1		
100	162C49-7	GRASS CATCHER BRACKET		1		
101	265324-3	HEX. FLANGE HEAD BOLT M8X12		2		
102	141E34-5	TIRE 180 COMPLETE		2		
103	210216-1	BALL BEARING 6001DDW		2		
104	327B98-7	REAR SHAFT		2		
105	266424-2	TAPPING SCREW 4X20		4		
106	313475-7	REAR SHAFT HOLDER		2		
107	265324-3	HEX. FLANGE HEAD BOLT M8X12		2		
108	141E34-5	TIRE 180 COMPLETE		2		
109	210216-1	BALL BEARING 6001DDW		2		
110	162C48-9	FRONT SHAFT		1		
111	347869-4	PLATE		2		
112	266424-2	TAPPING SCREW 4X20		4		
113	413R70-2	UNDER COVER		1		
114	266424-2	TAPPING SCREW 4X20		3		
115	422A35-1	SPONGE		1		
116	183X12-3	TERMINAL HOUSING SET		1		
C10	263005-3	RUBBER PIN 6		4		
116		INC. 120				
117	632T08-2	TERMINAL UNIT		2		
118	652031-1	PAN HEAD SCREW M3X6		4		
119	266424-2	TAPPING SCREW 4X20		4		
120	183X12-3	TERMINAL HOUSING SET		1		
C10	263005-3	RUBBER PIN 6		4		
120		INC. 116				
121	266424-2	TAPPING SCREW 4X20		3		
122	266424-2	TAPPING SCREW 4X20		2		
123	687123-7	STRAIN RELIEF		1		
124	687051-6	STRAIN RELIEF		1		
125	266424-2	TAPPING SCREW 4X20		2		
126	347B46-0	PLATE		1		
127	922413-4	H.S.H.BOLT M8X12 WITH WR		1		
128	922443-5	H.S.H.BOLT M8X25 WITH WR		2		
129	347B42-8	HANDLE BRACKET		1		
130	413R65-5	DECK		1		
131	347B41-0	HANDLE BRACKET R		1		
132	922413-4	H.S.H.BOLT M8X12 WITH WR		1		
133	922443-5	H.S.H.BOLT M8X25 WITH WR		2		

134	539269-4	CONTROLLER ASSY		1		
134		INC. 117,118				
135	8141G7-3	UV001G NAME PLATE		1		
136	8141G9-9	UV001G SERIAL NO. LABEL		1		
A01	1913J7-6	DETHATCHING BLADE COMPLETE		1		
C10	232807-8	TORSION SPRING 9		22		
A02	782223-9	SOCKET WRENCH		1		
A03	412393-7	BATTERY COVER		2		
A04	***DC40RB	DC40RB TWO PORT FAST CHARGER		1		
A04		COMPO-PARTS				
A05	191B26-6	BATTERY BL4040 SET		2		

Please state Parts No. when your order.

Print Date 12/18/2024