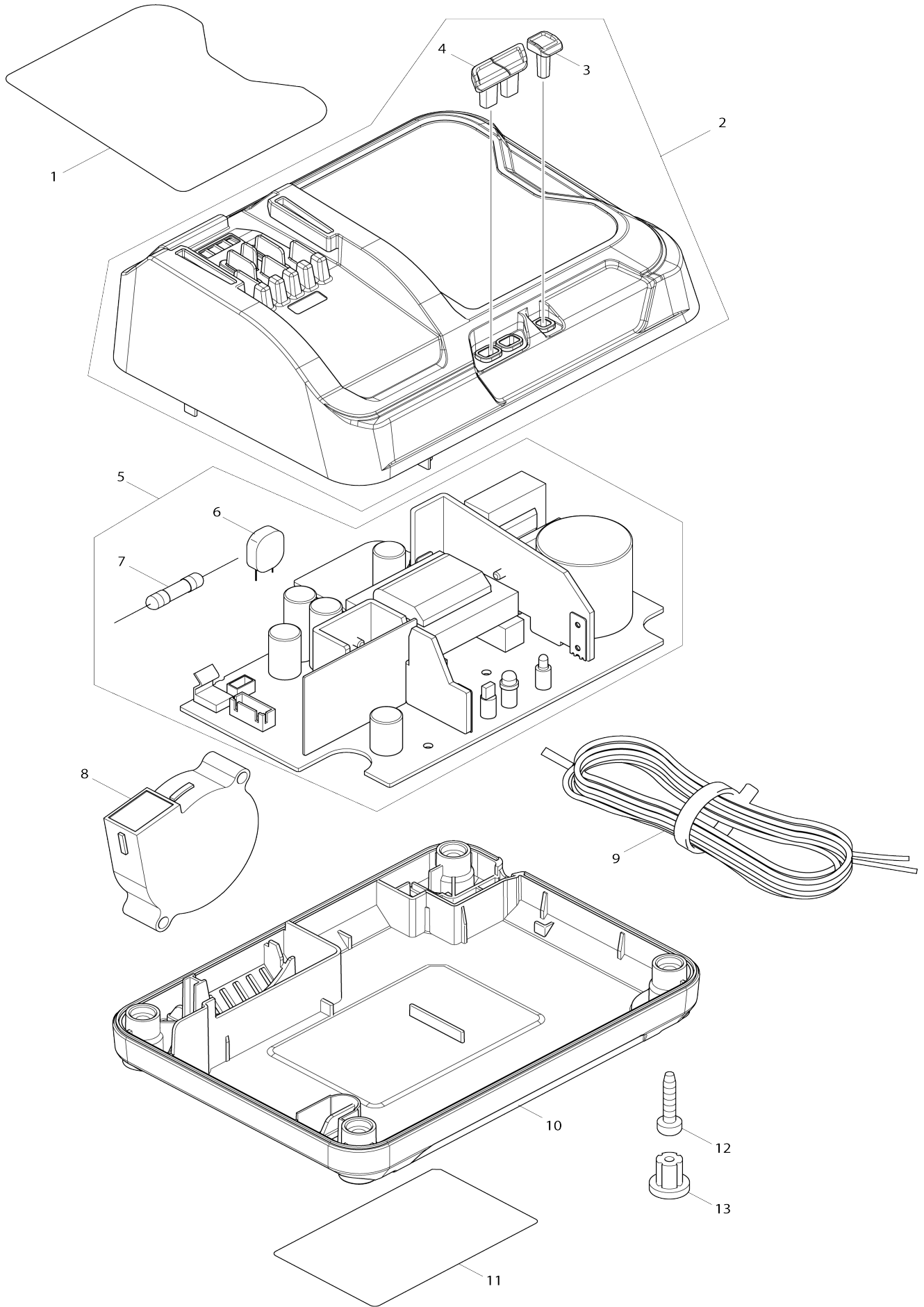


# Model No.DC10SB BATTERY CHARGER



**Model No.DC10SB BATTERY CHARGER**

Item No.	Parts No.	Description	Interchangability	Q'ty	New/Old	Note1	Note2
001	807B60-3	CHARGING CONDITION LABEL		1			
002	143280-6	CHARGER CASE COMPLETE		1			
D10		INC. 3,4					
003	456049-2	LENZ		1			
004	455959-0	LENZ		1			
005	620431-3	CHARGING CIRCUIT		1	*		
D10		INC. 6,7					
005-1	620H84-6	CHARGING CIRCUIT	<	1			
D10		INC. 6,7					
006	647069-9	VARISTOR		1			
007	652804-2	FUSE		1			
008	638499-5	SCIROCCO FAN		1			
009	667985-9	VINYL CORD 0.75-2-2.0		1			
010	456048-4	CHARGER CASE COVER		1			
012	266346-6	TAPPING SCREW BT 4X20		4	*		
012-1	265B01-9	TAPPING SCREW PT 4X20	<	4			
013	286255-3	CAP 13		4			
F07	197363-4	DC10SB BATTERY CHARGER SET		1			
A01	456128-6	BATTERY COVER		2			
A02	197406-2	BATTERY BL1041B SET		2			
F01	191L68-0	DC10SB BATTERY CHARGER SET		1			

Please state Parts No. when your order.

Print Date 05/24/2024