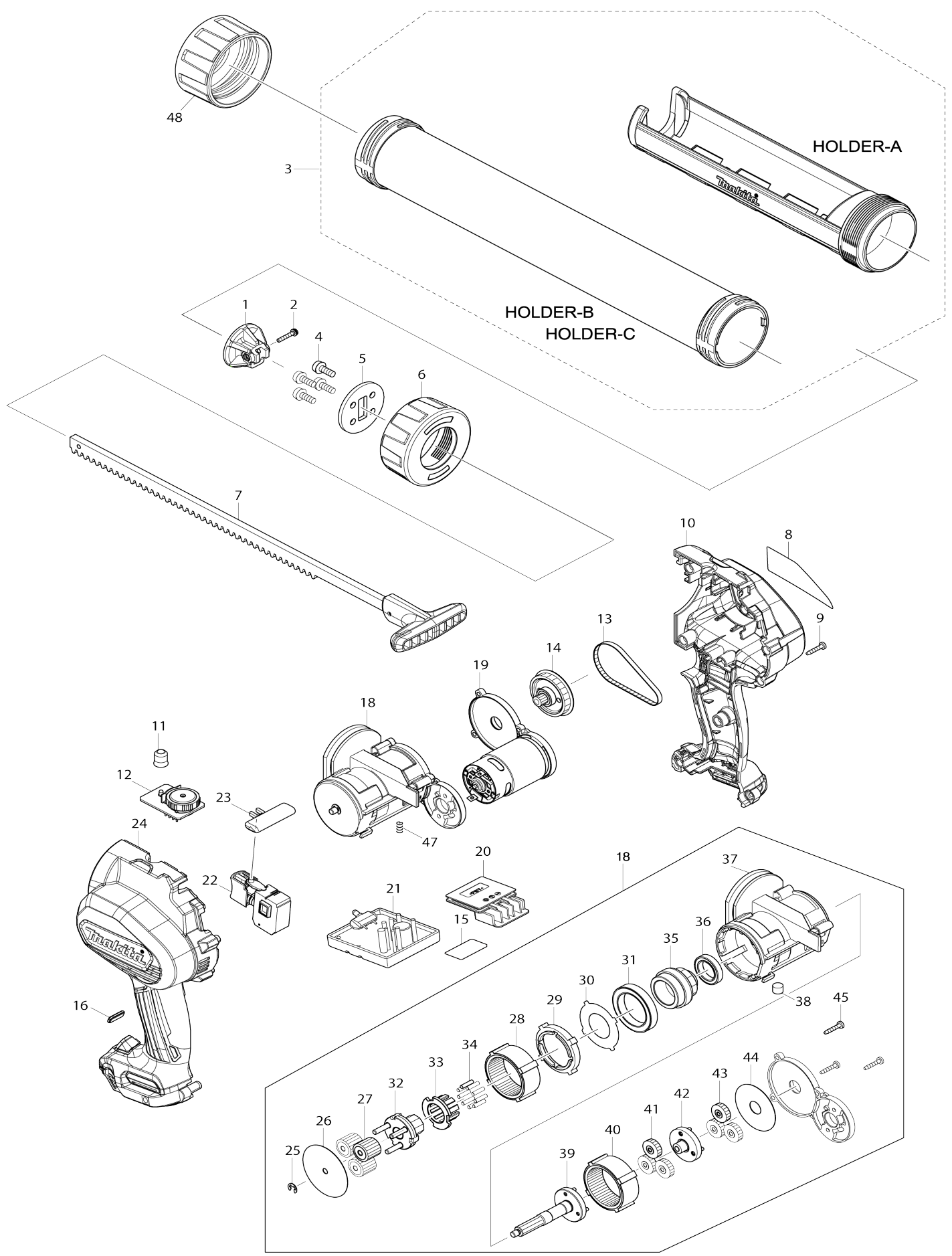


Model No.CG100D CORDLESS CAULKING GUN



Model No.CG100D CORDLESS CAULKING GUN

| Item No. | Parts No. | Description | Interchangability | Q'ty | New/Old | Note1 | Note2 |
|----------|-----------|------------------------------|-------------------|------|---------|-------|-------|
| 001 | 142071-2 | PISTON A COMPLETE | | 1 | | | |
| 002 | 266827-0 | PAN HEAD SCREW M3X18 WITH WR | | 1 | | | |
| 003 | 454275-7 | HOLDER A | | 1 | | | |
| 004 | 265074-0 | PAN HEAD SCREW M5X16 | | 4 | | | |
| 005 | 346649-5 | PLATE | | 1 | | | |
| 006 | 454223-6 | HOLDER JOINT A | | 1 | | | |
| 007 | 142041-1 | RACK 42 COMPLETE | | 1 | | | |
| 008 | 853537-8 | CG100D NAME PLATE | | 1 | * | | |
| 008-1 | 853536-0 | CG100D NAME PLATE | < | 1 | | | |
| 009 | 266429-2 | TAPPING SCREW 3X16 | | 9 | * | | |
| 009-1 | 266130-9 | TAPPING SCREW BIND PT 3X16 | O | 9 | | | |
| 010 | 183H54-1 | HOUSING SET | | 1 | | | |
| C10 | 252126-6 | HEX. LOCK NUT M4-7 | | 2 | | | |
| D10 | | INC. 24 | | | | | |
| 011 | 418821-0 | LENS | | 1 | | | |
| 012 | 620180-2 | SUB CONTROLLER | | 1 | | | |
| 013 | 225097-0 | SYNCHRO BELT 4-176 | | 1 | | | |
| 014 | 142038-0 | SPUR GEAR 9A COMPLETE | | 1 | | | |
| 015 | 853538-6 | CG100D SERIAL NO. LABEL | | 1 | | | |
| 016 | 454230-9 | LENS | | 1 | | | |
| 018 | 126253-4 | GEAR ASSEMBLY | | 1 | | | |
| D10 | | INC. 25-45 | | | | | |
| 019 | 144848-1 | MOTOR COMPLETE | | 1 | | | |
| 020 | 644813-5 | TERMINAL | | 1 | | | |
| 021 | 632K96-5 | CONTROLLER UNIT | | 1 | | | |
| C10 | 620762-0 | LED CIRCUIT | | 1 | | | |
| C20 | 688172-7 | LINE FILTER | | 1 | | | |
| 022 | 650632-9 | SWITCH | | 1 | | | |
| 023 | 451162-1 | LOCK LEVER | | 1 | | | |
| 024 | 183H54-1 | HOUSING SET | | 1 | | | |
| C10 | 252126-6 | HEX. LOCK NUT M4-7 | | 2 | | | |
| D10 | | INC. 10 | | | | | |
| 025 | 961011-9 | STOP RING E-4 | | 1 | | | |
| 026 | 267465-1 | FLAT WASHER 5 | | 1 | | | |
| 027 | 227311-0 | SPUR GEAR 19B | | 3 | | | |
| 028 | 227309-7 | INTERNAL GEAR 48 | | 1 | | | |
| 029 | 144375-8 | SPACER COMPLETE | | 1 | | | |
| 030 | 346721-3 | PLATE 23 | | 1 | | | |
| 031 | 211294-4 | BALL BEARING 6806LLU | | 1 | | | |
| 032 | 141860-2 | CARRIER A COMPLETE | | 1 | | | |
| 033 | 313253-5 | CARRIER B | | 1 | | | |
| 034 | 256255-7 | PIN 3 | | 9 | | | |
| 035 | 227312-8 | SPUR GEAR 10 | | 1 | | | |
| 036 | 211482-3 | BALL BEARING 6803LLU | | 1 | | | |
| 037 | 454219-7 | GEAR HOUSING | | 1 | | | |
| 038 | 313257-7 | MAGNET | | 1 | | | |
| 039 | 141859-7 | SPUR GEAR 9C COMPLETE | | 1 | | | |

| | | | | | | | |
|-------|----------|---------------------------------|---|---|---|--|--|
| 040 | 227309-7 | INTERNAL GEAR 48 | | 1 | | | |
| 041 | 227310-2 | SPUR GEAR 19A | | 3 | | | |
| 042 | 141858-9 | SPUR GEAR 9B COMPLETE | | 1 | | | |
| 043 | 227310-2 | SPUR GEAR 19A | | 3 | | | |
| 044 | 267466-9 | FLAT WASHER 12 | | 1 | | | |
| 045 | 266429-2 | TAPPING SCREW 3X16 | | 3 | * | | |
| 045-1 | 266130-9 | TAPPING SCREW BIND PT 3X16 | O | 3 | | | |
| 047 | 234315-5 | COMPRESSION SPRING 6 | | 1 | | | |
| A01 | 195246-2 | SAFETY GOGGLE | | 1 | * | | |
| F01 | 196351-8 | HOLDER A SET | | 1 | | | |
| F02-1 | 1911T4-0 | HOLDER B SET | O | 1 | | | |
| F03 | 197195-9 | HOLDER C SET(TYPE 1) | | 1 | | | |
| F04 | 197444-4 | BATTERY BL1020B SET(2PIECES) | | 1 | * | | |
| F05 | 197530-1 | BATTERY BL1015 SET(2PIECES) | | 1 | * | | |
| F08 | 198968-3 | BATTERY BL1016 SET | | 1 | * | | |
| F09 | 198969-1 | BATTERY BL1016 SET (2PIECES) | | 1 | * | | |
| F10-1 | 198970-6 | BATTERY BL1021B SET (2PIECES) | O | 1 | * | | |
| F11-1 | 199002-2 | BATTERY BL1041B SET (2PIECES) | O | 1 | * | | |
| F16-1 | 1911T5-8 | HOLDER D SET | O | 1 | | | |
| 001 | 142072-0 | PISTON B COMPLETE | | 1 | | | |
| 003 | 141861-0 | HOLDER B COMPLETE | | 1 | * | | |
| 003-1 | 141M10-7 | HOLDER B COMPLETE | S | 1 | | | |
| 006 | 318958-2 | HOLDER JOINT B | | 1 | * | | |
| 006-1 | 312D41-1 | HOLDER JOINT B | S | 1 | | | |
| 007 | 142042-9 | RACK 64 COMPLETE | | 1 | | | |
| 048 | 318958-2 | HOLDER JOINT B | | 1 | * | | |
| 048-1 | 312D41-1 | HOLDER JOINT B | S | 1 | | | |
| A02 | 123221-8 | PISTON C ASSEMBLY | | 1 | | | |
| C10 | 424546-6 | RUBBER SEAL | | 1 | | | |
| A03 | 142071-2 | PISTON A COMPLETE | | 1 | | | |
| A04 | 266827-0 | PAN HEAD SCREW M3X18 WITH WR | | 2 | | | |
| A05 | 424547-4 | RUBBER RING | | 1 | | | |
| A06 | 454226-0 | NOZZLE | | 3 | | | |

Please state Parts No. when your order.

Print Date 10/18/2023