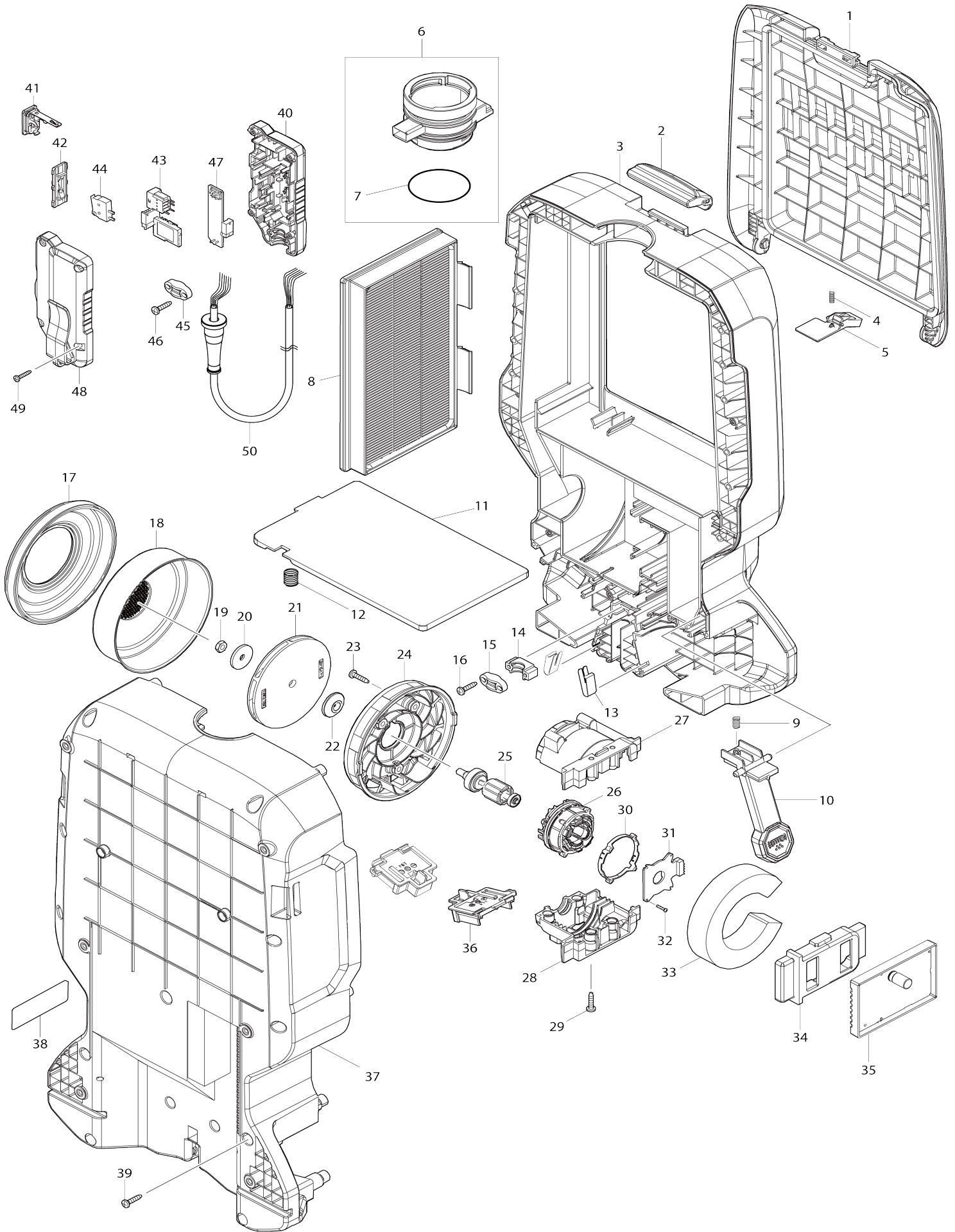
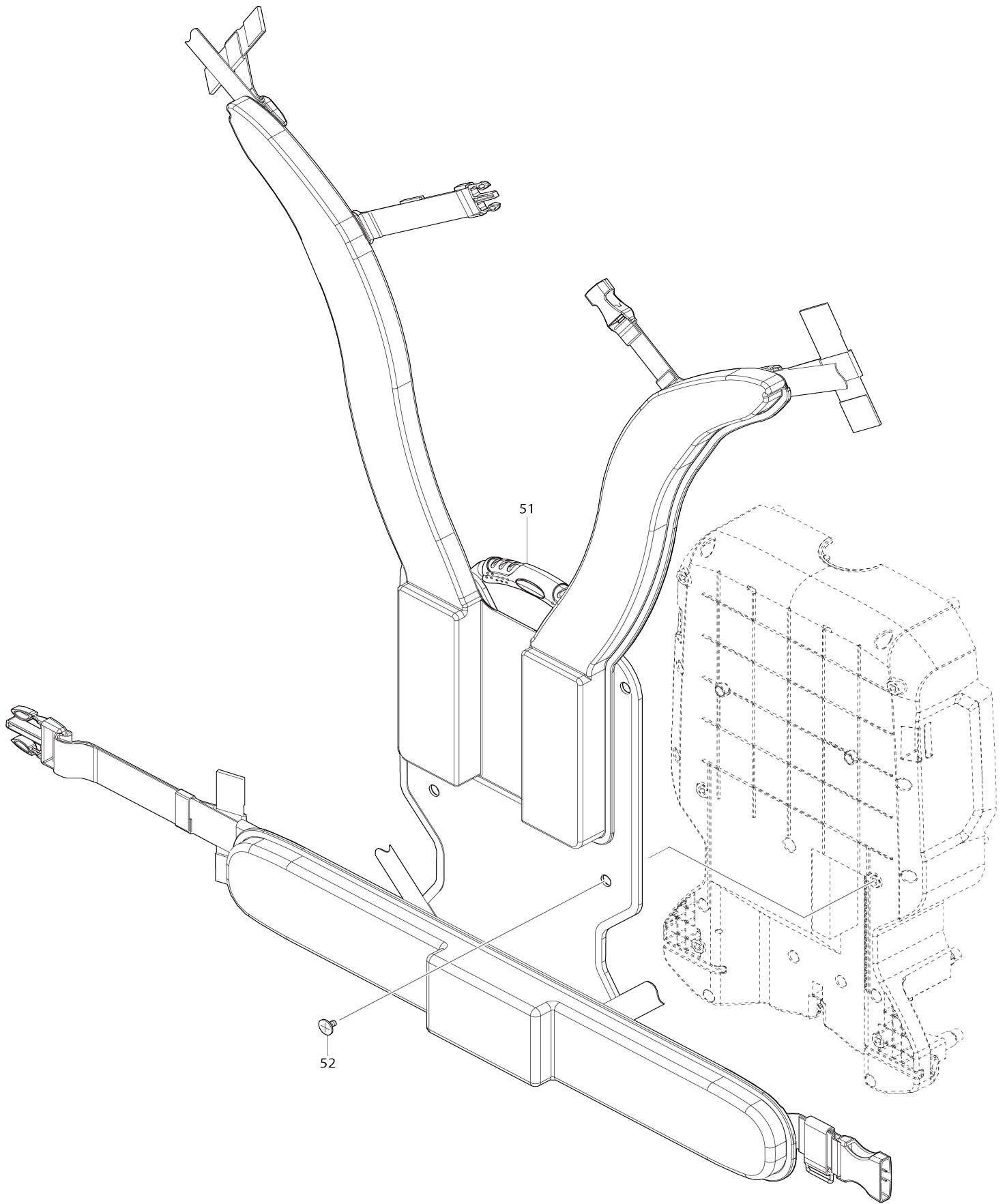


Model No.DVC665 DC BACKPACK VACUUM CLEANER



Model No.DVC665 DC BACKPACK VACUUM CLEANER



Model No.DVC665 DC BACKPACK VACUUM CLEANER

| Item No. | Parts No. | Description | Interchangability | Q'ty | New/Old | Note1 | Note2 |
|----------|-----------|-------------------------------|-------------------|------|---------|-------|-------|
| 001 | 140P98-2 | DUST BOX COVER COMPLETE | | 1 | | | |
| C10 | 422536-3 | SEAL A | | 1 | | | |
| 002 | 123586-8 | LATCH ASSEMBLY | | 1 | | | |
| 003 | 140P92-4 | UPPER HOUSING COMPLETE | | 1 | | | |
| C10 | 422534-7 | BAND DAMPER D | | 1 | | | |
| C20 | 422550-9 | BAND DAMPER A | | 1 | | | |
| 004 | 232389-0 | COMPRESSION SPRING 5 | | 1 | | | |
| 005 | 412268-0 | STOPPER PLATE | | 1 | | | |
| 006 | 135771-1 | INLET ASS'Y | | 1 | | | |
| 006 | | INC. 7 | | | | | |
| 007 | 213655-4 | O RING 56 | | 1 | | | |
| 008 | 191D12-9 | MAIN FILTER H SET | | 1 | | | |
| 009 | 232588-4 | COMPRESSION SPRING 6 | | 1 | | | |
| 010 | 140P99-0 | LEVER 100 COMPLETE | | 1 | | | |
| 011 | 459913-6 | PLATE | | 1 | | | |
| 012 | 234141-2 | COMPRESSION SPRING 12 | | 2 | | | |
| 013 | 232267-4 | LEAF SPRING | | 2 | | | |
| 014 | 687051-6 | STRAIN RELIEF | | 1 | | | |
| 015 | 687123-7 | STRAIN RELIEF | | 1 | | | |
| 016 | 266326-2 | TAPPING SCREW 4X18 | | 2 | | | |
| 017 | 422376-9 | SUPPORT RING | | 1 | | | |
| 018 | 161804-6 | FAN COVER | | 1 | | | |
| 019 | 252268-6 | HEX. NUT M6 | | 1 | | | |
| 020 | 322407-3 | WASHER 6 | | 1 | | | |
| 021 | 241851-4 | FAN 94 | | 1 | | | |
| 022 | 313062-2 | FLANGE | | 1 | | | |
| 023 | 266326-2 | TAPPING SCREW 4X18 | | 3 | | | |
| 024 | 456736-3 | FAN BASE | | 1 | | | |
| 025 | 619517-8 | ROTOR | | 1 | * | | |
| 025-1 | 619517-8 | ROTOR | O | 1 | | | |
| 026 | 629381-9 | STATOR | | 1 | | | |
| 027 | 183D13-1 | MOTOR HOUSING SET | | 1 | | | |
| 027 | | INC. 28 | | | | | |
| 028 | 183D13-1 | MOTOR HOUSING SET | | 1 | | | |
| 028 | | INC. 27 | | | | | |
| 029 | 266326-2 | TAPPING SCREW 4X18 | | 4 | | | |
| 030 | 687464-1 | SUPPORT | | 1 | | | |
| 031 | 620526-2 | CONTROLLER B | | 1 | | | |
| 032 | 266786-8 | + PAN HEAD TAPPING SCREW 2X10 | | 4 | | | |
| 033 | 422370-1 | BAND DAMPER C | | 1 | | | |
| 034 | 424837-5 | SUPPORT A | | 1 | | | |
| 035 | 620C53-7 | CONTROLLER | | 1 | | | |
| 036 | 644809-6 | TERMINAL | | 2 | | | |
| 037 | 140P94-0 | LOWER HOUSING COMPLETE | | 1 | | | |
| C10 | 422535-5 | BAND DAMPER E | | 1 | | | |
| C20 | 422551-7 | BAND DAMPER B | | 1 | | | |
| 038 | 856K60-4 | DVC665 NAME PLATE | | 1 | | | |

| | | | | | | | |
|-------|----------|------------------------------|---|----|---|--|--|
| 039 | 266326-2 | TAPPING SCREW 4X18 | | 13 | | | |
| 040 | 183K75-1 | SWITCH CASE SET | | 1 | | | |
| C10 | 818F55-5 | SWITCH LABELA | | 1 | | | |
| C20 | 818F56-3 | SWITCH LABELB | | 1 | | | |
| 040 | | INC. 48 | | | | | |
| 041 | 140G18-2 | CAP COMPLETE | | 1 | | | |
| C10 | 213218-6 | O RING 16 | | 1 | * | | |
| C11 | 213A05-9 | O-RING16 | O | 1 | | | |
| C20 | 818F57-1 | CAP LABEL | | 1 | | | |
| 042 | 458714-9 | SWITCH LEVER | | 1 | | | |
| 043 | 620943-6 | SUB CONTROLLER | | 1 | | | |
| 044 | 632E26-0 | SWITCH UNIT | | 1 | | | |
| 045 | 687123-7 | STRAIN RELIEF | | 1 | | | |
| 046 | 266326-2 | TAPPING SCREW 4X18 | | 2 | | | |
| 047 | 620949-4 | SWITCH CIRCUIT | | 1 | | | |
| 048 | 183K75-1 | SWITCH CASE SET | | 1 | | | |
| C10 | 818F55-5 | SWITCH LABELA | | 1 | | | |
| C20 | 818F56-3 | SWITCH LABELB | | 1 | | | |
| 048 | | INC. 40 | | | | | |
| 049 | 266130-9 | TAPPING SCREW BIND PT 3X16 | | 4 | | | |
| 050 | 699137-4 | POWER SUPPLY CORD UNIT | | 1 | * | | |
| 050-1 | 699137-4 | POWER SUPPLY CORD UNIT | O | 1 | | | |
| 051 | 162750-6 | HARNESS | | 1 | | | |
| 052 | 265008-3 | + FLAT HEAD SCREW M5 | | 6 | | | |
| A01 | 152992-0 | HOSE COMPLETE 28-1.5 | | 1 | | | |
| A02 | 166116-2 | HOSE BAND | | 1 | | | |
| A03 | 191C26-2 | FILTER BAG SET | | 1 | | | |
| A08 | 417765-1 | FRONT CUFF 22 | | 1 | | | |
| A09 | 424379-9 | FRONT CUFF 24 | | 1 | | | |
| A12 | 198900-7 | WIRELESS UNIT SET | | 1 | * | | |
| A12-1 | 198900-7 | WIRELESS UNIT SET | < | 1 | * | | |
| A12-2 | 198900-7 | WIRELESS UNIT SET | < | 1 | * | | |
| A12-3 | 198900-7 | WIRELESS UNIT SET | O | 1 | * | | |
| A12-4 | 198900-7 | WIRELESS UNIT SET | < | 1 | | | |
| F02 | 191C26-2 | FILTER BAG SET | | 1 | | | |
| F10 | 192236-6 | TAPERED NOZZLE SET | | 1 | | | |
| F13 | 195545-2 | FRONT CUFF 38 SET | | 1 | | | |
| F14 | 195546-0 | FRONT CUFF 24 SET | | 1 | | | |
| F15 | 195547-8 | FRONT CUFF 22 SET | | 1 | | | |
| F16 | 195548-6 | JOINT 22-38 SET | | 1 | | | |
| F17 | 195549-4 | T-NOZZLE ASSY A SET(DRY)38 | | 1 | | | |
| F18 | 195551-7 | T-NOZZLE SET 38 | | 1 | | | |
| F19 | 191C30-1 | DUST BAG SET | | 1 | | | |
| F20 | 191D12-9 | MAIN FILTER H SET | | 1 | | | |
| F28 | 198184-7 | F/C SWITCHING T-NOZZLE 38 | | 1 | | | |
| F32 | 198533-8 | F/C SWITCHING T-NOZZLE 38 EU | | 1 | | | |
| F33 | 198537-0 | SHELF BRUSH SET28 IVO EU | | 1 | | | |
| F34 | 191496-7 | FLEXIBLE HOSE SET28(IVO) | | 1 | | | |
| F36 | 198552-4 | ROUND BRUSH SET 28 IVO | | 1 | | | |
| F39 | 198560-5 | TELESCOPIC PIPE SET 28 EU | | 1 | | | |
| F42 | 198868-7 | FLEXIBLE HOSE SET28(WHI) | | 1 | | | |
| | | | | | | | |

| | | | | | | |
|-------|----------|------------------------------|---|---|---|--|
| F44 | 198873-4 | SHELF BRUSH SET28 WHI | | 1 | | |
| F46 | 198878-4 | ROUND BRUSH SET 28 WHI | | 1 | | |
| F48 | 198919-6 | LONG SASH NOZZLE SET 28 WHI | | 1 | | |
| F51 | 198990-0 | LONG SASH NOZZLE SET 28 BLU | | 1 | | |
| F53 | 198992-6 | LONG SASH NOZZLE SET 28 BLK | | 1 | | |
| F55 | 199038-1 | SEAT NOZZLE SET 28 WHI | | 1 | | |
| F56 | 199039-9 | SEAT NOZZLE SET 28 BLK | | 1 | | |
| F58 | 199041-2 | SEAT NOZZLE SET 28 BLU | | 1 | | |
| F63 | 199491-1 | CYCLONE ATTACHMENT SET | | 1 | | |
| F65 | 199439-3 | CREVICE NOZZLE 415 SET | | 1 | | |
| F78-2 | 198900-7 | WIRELESS UNIT SET | < | 1 | * | |
| F78-3 | 198900-7 | WIRELESS UNIT SET | O | 1 | * | |
| F78-4 | 198900-7 | WIRELESS UNIT SET | < | 1 | | |
| F82 | 191E30-3 | FLEXIBLE HOSE SET(LOCK) | | 1 | | |
| F84 | 191D80-2 | STRAIGHT PIPE SET 320 | | 1 | | |
| F86 | 191M77-5 | JOINT A 32 SET | | 1 | | |
| F87 | 191M78-3 | JOINT B 35 SET | | 1 | | |
| F88 | 191M79-1 | JOINT C 38 SET | | 1 | | |
| F89 | 191Y84-0 | DUST BAG SET | | 1 | | |
| F93 | 1914Y6-9 | ROTARY BRUSH NOZZLE SET | | 1 | | |
| F94 | 1914Y7-7 | ROTARY BRUSH NOZZLE SET | | 1 | | |
| G09 | 1912G4-5 | TELESCOPIC PIPE COMPLETE SET | | 1 | | |
| G10 | 1912G5-3 | BENT PIPE COMPLETE SET | | 1 | | |

Please state Parts No. when your order.

Print Date 01/27/2025