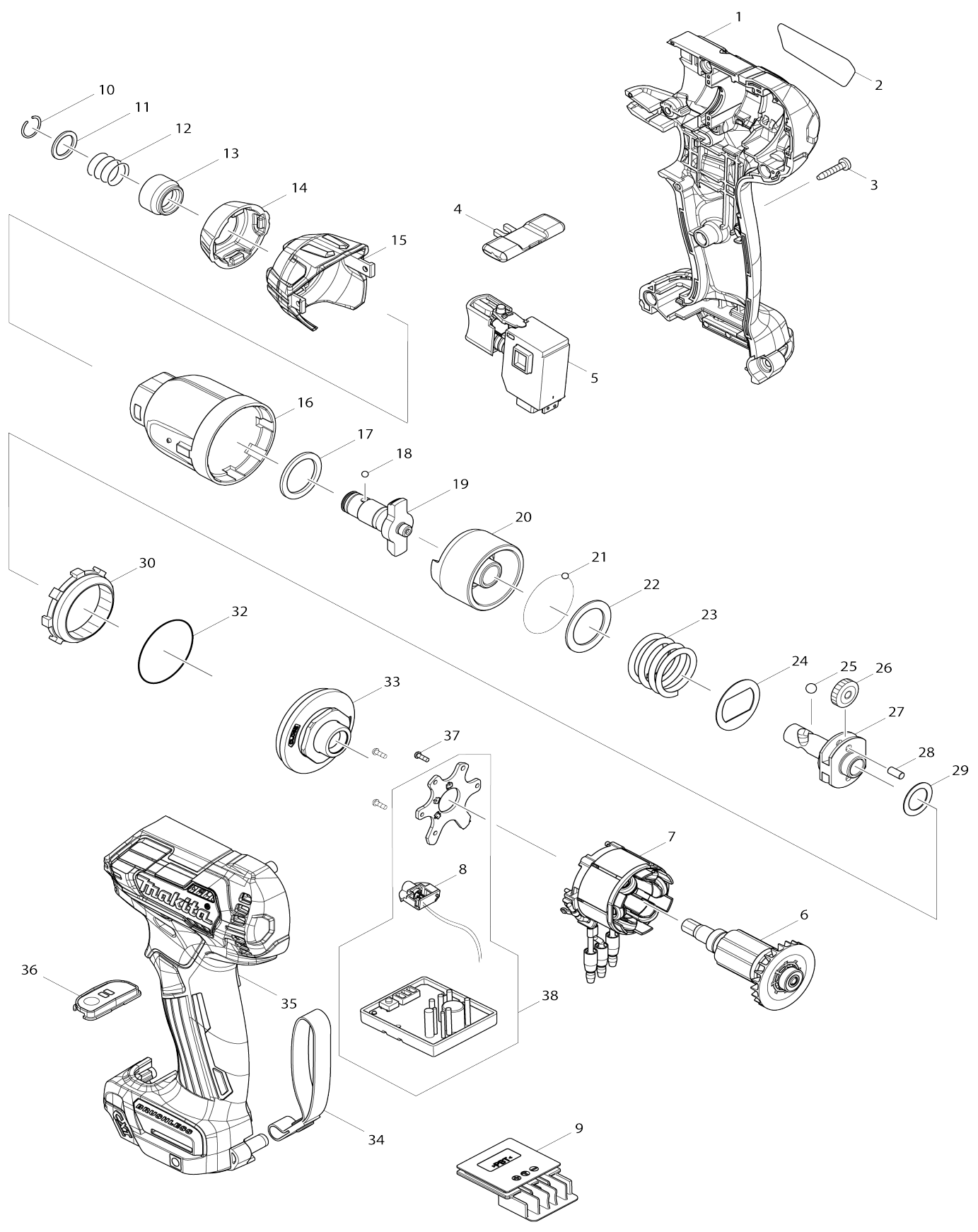


Model No.TD111D CORDLESS IMPACT DRIVER



F34	198968-3	BATTERY BL1016 SET		1	*		
F35	198969-1	BATTERY BL1016 SET (2PIECES)		1	*		
F36-1	198970-6	BATTERY BL1021B SET (2PIECES)	O	1	*		
F37-1	199002-2	BATTERY BL1041B SET (2PIECES)	O	1	*		
F40	347C56-3	HOOK		1			
A04	456128-6	BATTERY COVER		1			
A05	***DC10SA	DC10SA BATTERY CHARGER		1	*		
D10		COMPO-PARTS					
A05-1	***DC10SB	DC10SB BATTERY CHARGER	<	1			
D10		COMPO-PARTS					
A06	197394-3	BATTERY BL1020B SET		2	*		
A06-1	197396-9	BATTERY BL1021B SET	<	2	*		
A06-2	197396-9	BATTERY BL1021B SET	O	2			
A07	784244-7	+ BIT 2-50		1			
A08	821549-5	CONNECTOR PLASTIC CASE (TYP E1)		1			
C10	453974-8	LATCH		4			
A09	838312-9	INNER TRAY		1			
A10	810L45-0	TD111DSAJ INDICATION LABEL		1	*		
A10-1	810L44-2	TD111DSAJ INDICATION LABEL	<	1			
A11	810L47-6	TD111DSAJ PLASTIC CASE LABEL		2			
A06	197402-0	BATTERY BL1040B SET		2	*		
A06-1	197406-2	BATTERY BL1041B SET	<	2	*		
A06-2	197406-2	BATTERY BL1041B SET	O	2			
A10	810L49-2	TD111DSMJ INDICATION LABEL		1	*		
A10-1	810L48-4	TD111DSMJ INDICATION LABEL	<	1			
A11	810L51-5	TD111DSMJ PLASTIC CASE LABEL		2			
A06	197390-1	BATTERY BL1015 SET		1	*		
A06-1	197393-5	BATTERY BL1016 SET	<	1			
A10	810L42-6	TD111DY1J INDICATION LABEL		1			
A11	810L43-4	TD111DY1J PLASTIC CASE LABEL		2			

Please state Parts No. when your order.

Print Date 05/24/2024