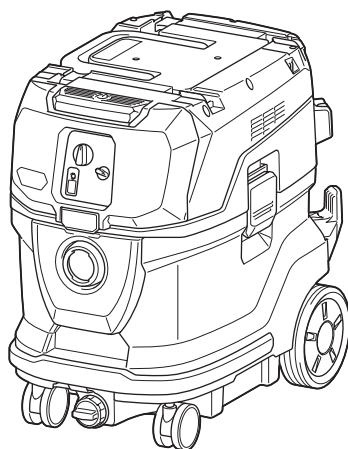
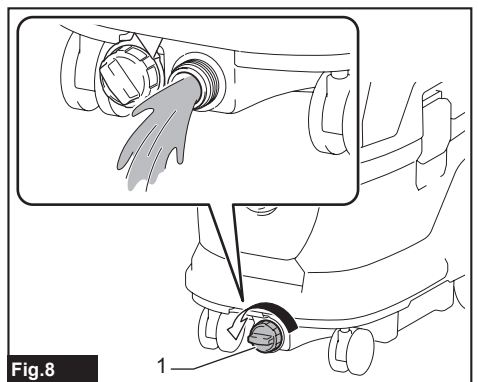
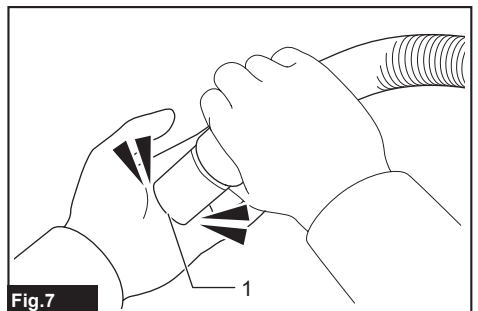
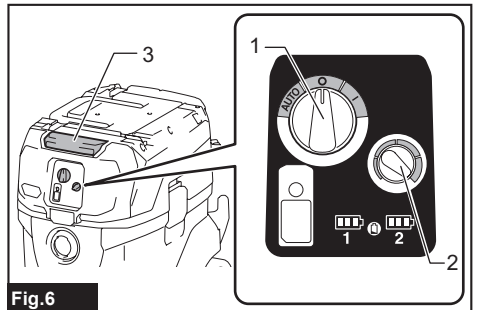
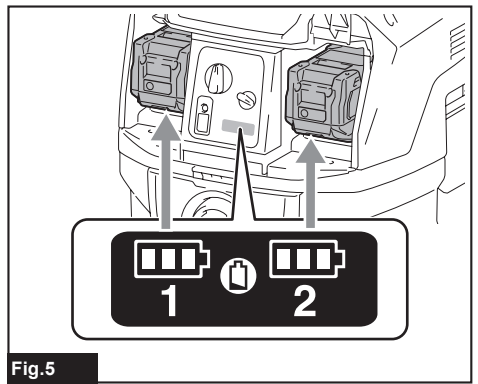
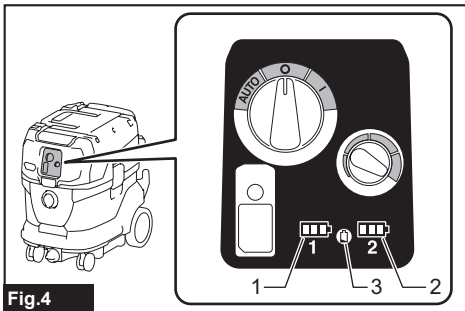
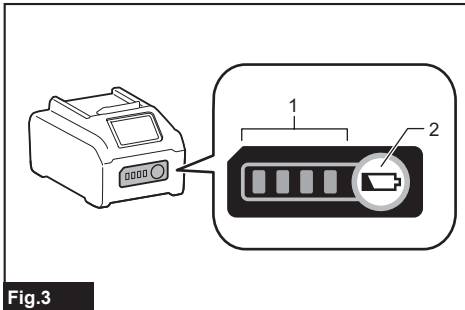
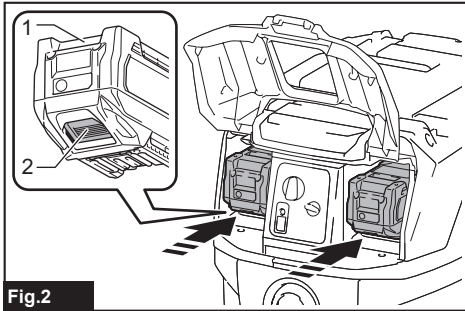
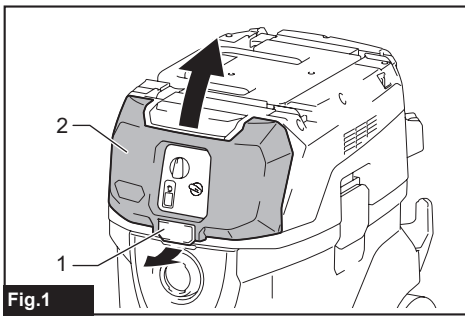


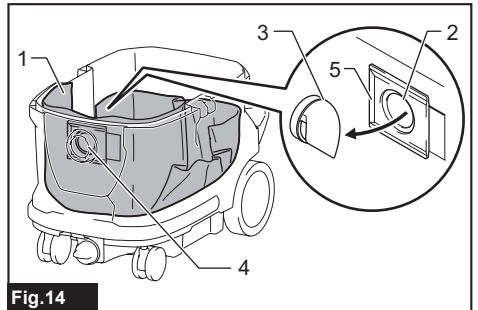
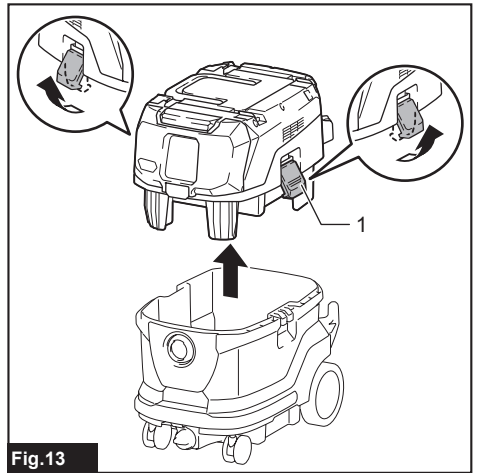
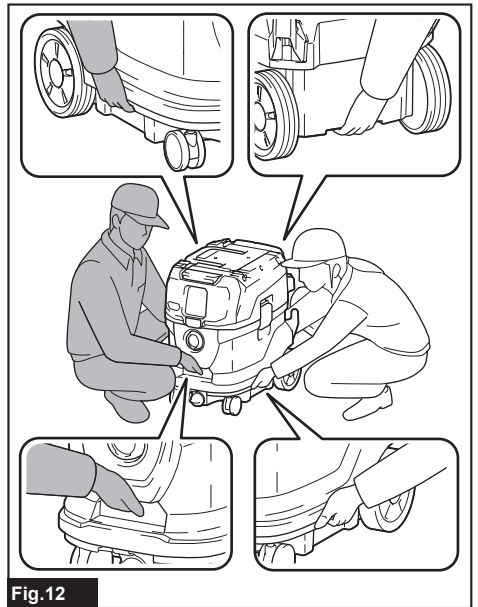
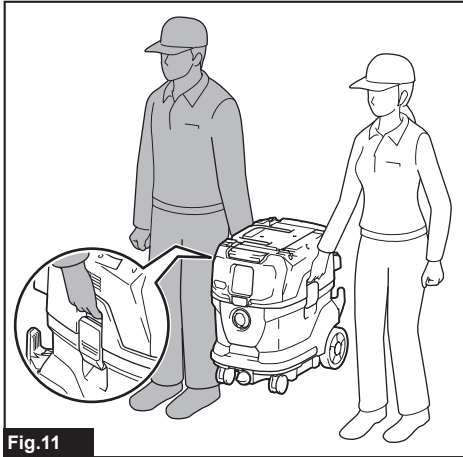
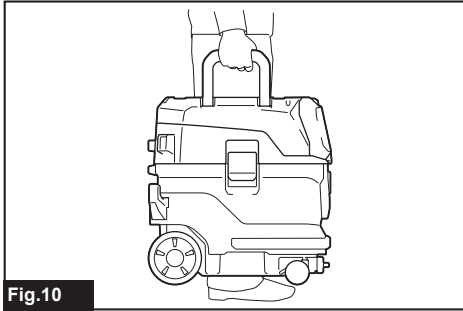
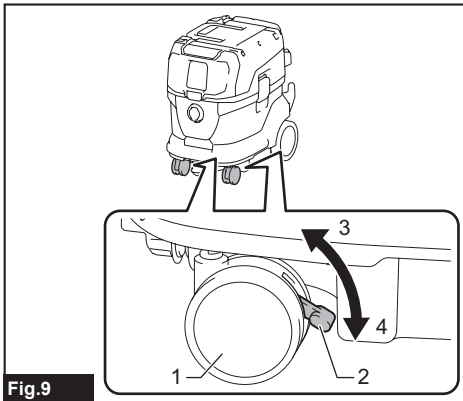


EN	Cordless Vacuum Cleaner	INSTRUCTION MANUAL	10
FR	Aspirateur Sans Fil	MANUEL D'INSTRUCTIONS	24
DE	Akku-Staubsauger	BETRIEBSANLEITUNG	40
IT	Aspirapolvere a batteria	ISTRUZIONI PER L'USO	57
NL	Accustofzuiger	GEBRUIKSAANWIJZING	74
ES	Aspiradora Inalámbrica	MANUAL DE INSTRUCCIONES	90
PT	Aspirador de Pó a Bateria	MANUAL DE INSTRUÇÕES	106
EL	Φορητή σκούπα αναρρόφησης	ΕΓΧΕΙΡΙΔΙΟ ΟΔΗΓΙΩΝ	122
TR	Akülü Süpürge	KULLANMA KILAVUZU	138

VC007GL







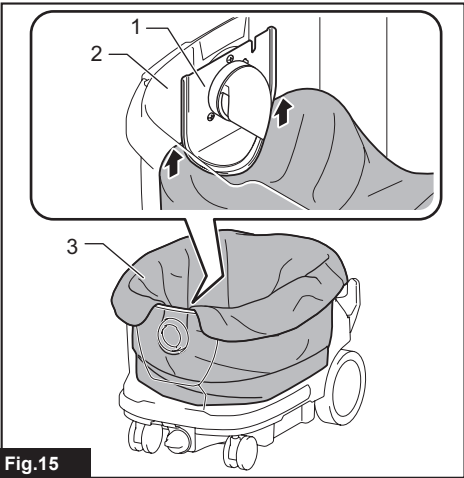


Fig. 15

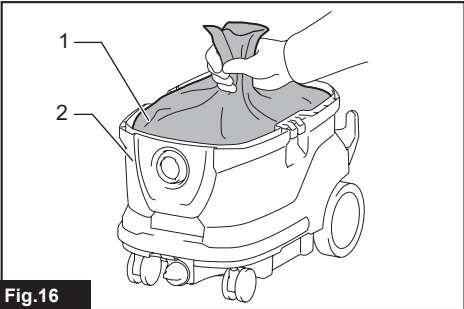


Fig. 16

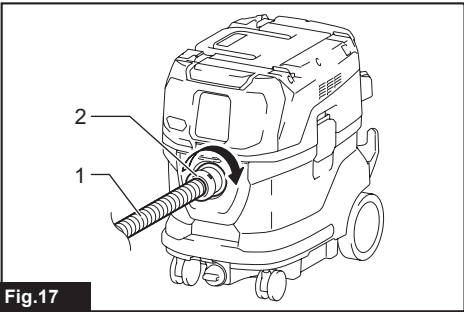


Fig. 17

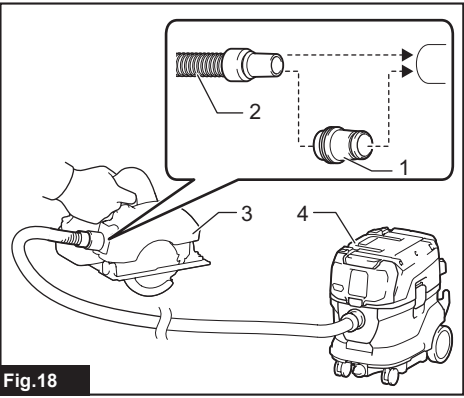


Fig. 18

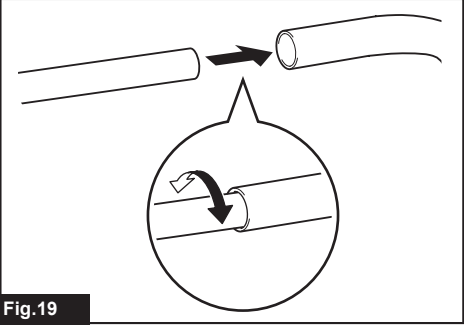


Fig. 19

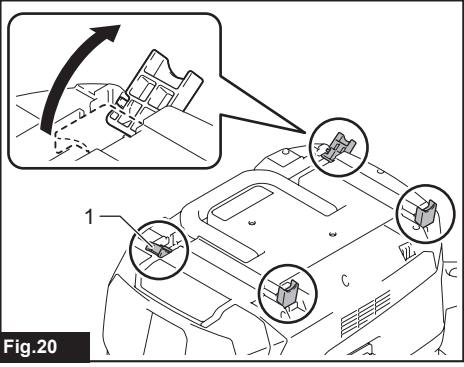


Fig. 20

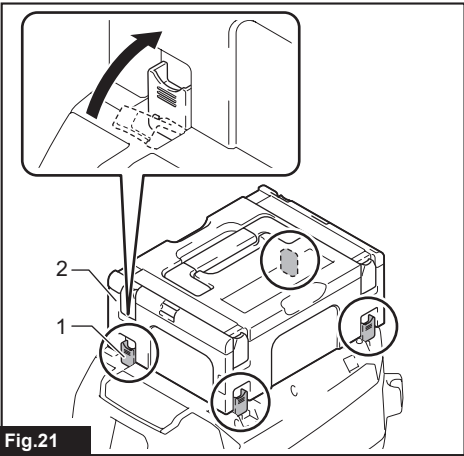


Fig.21

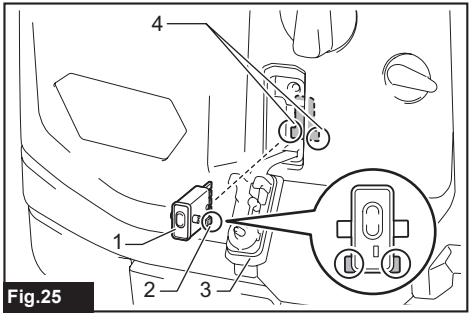


Fig.25

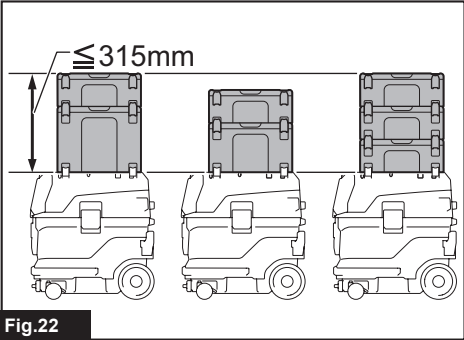


Fig.22

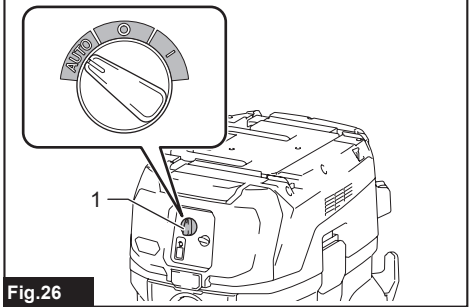


Fig.26

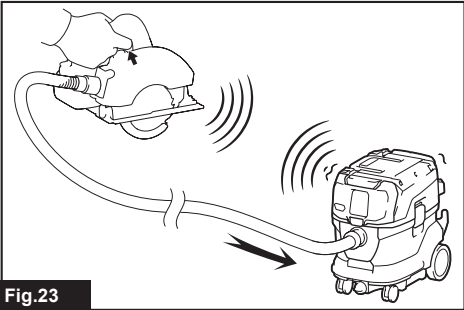


Fig.23

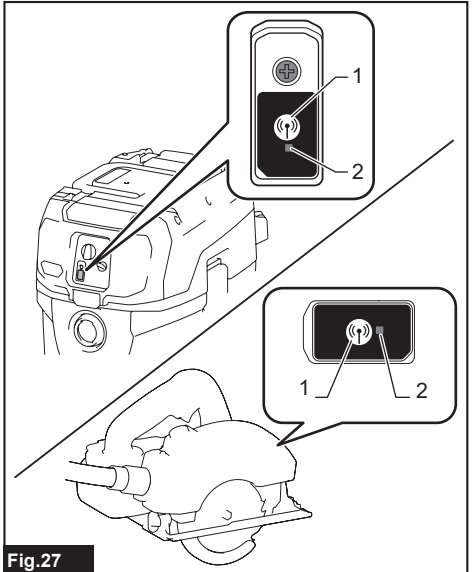


Fig.27

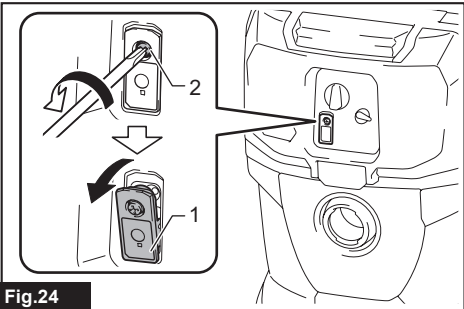


Fig.24

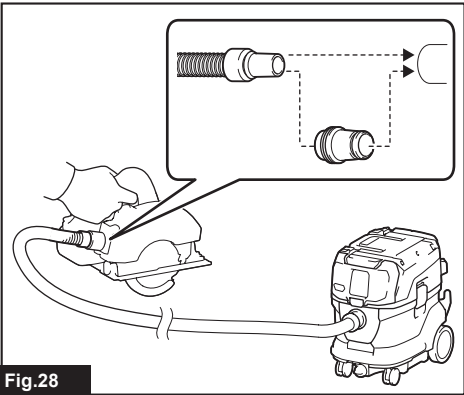


Fig.28

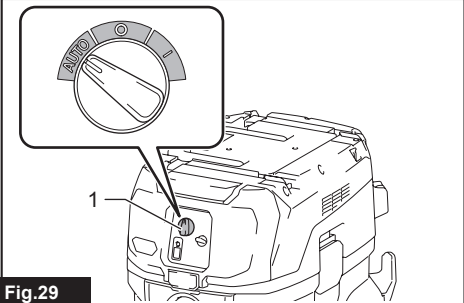


Fig.29

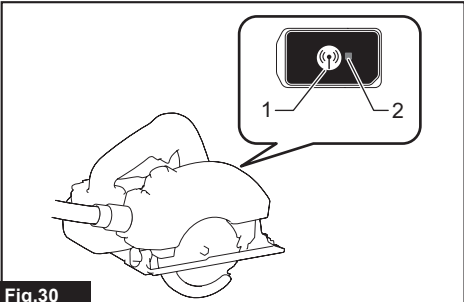


Fig.30

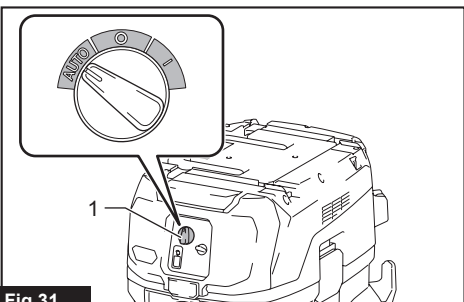


Fig.31

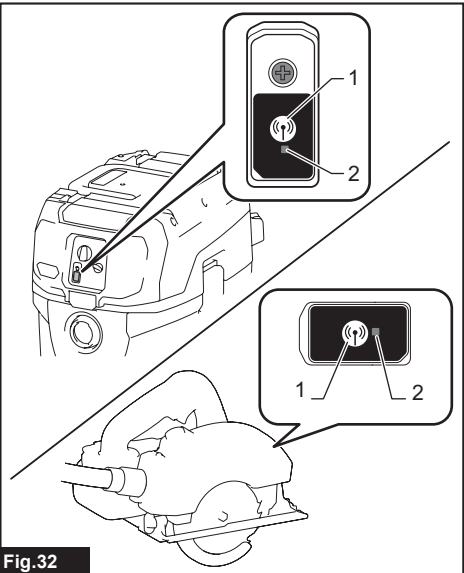


Fig.32

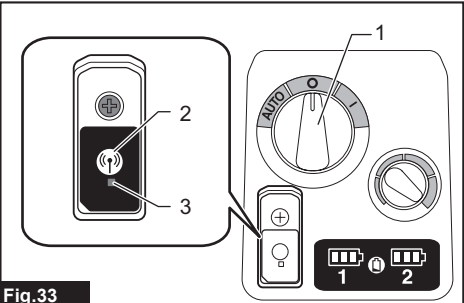


Fig.33

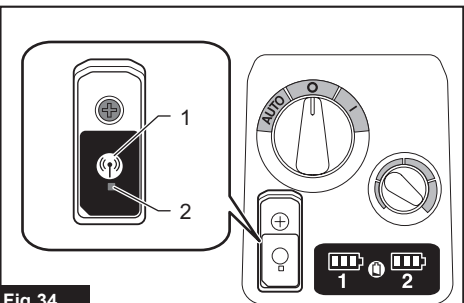


Fig.34

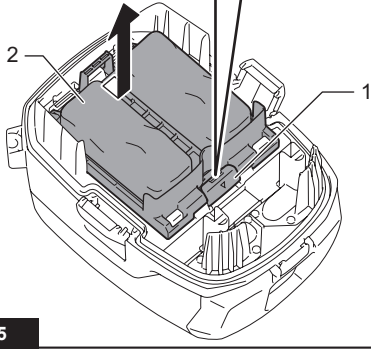
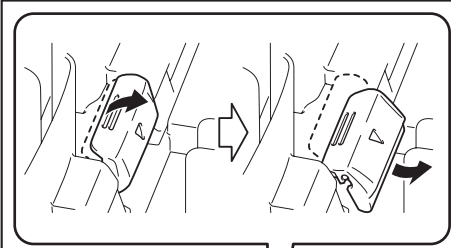


Fig.35

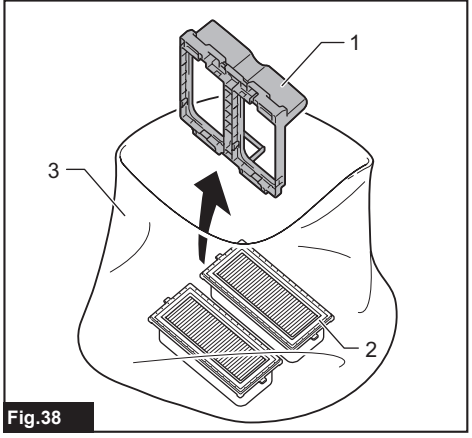


Fig.38

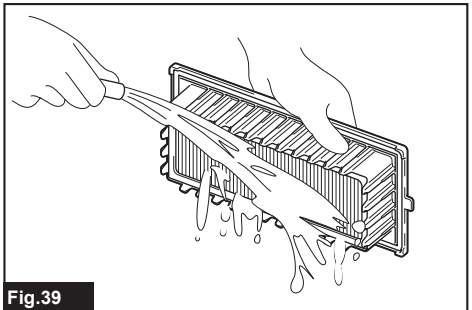


Fig.39

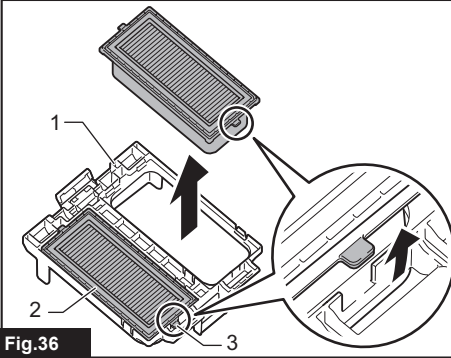


Fig.36

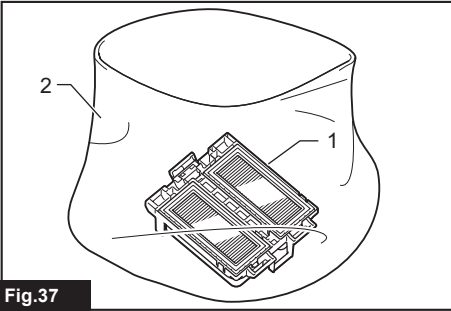


Fig.37

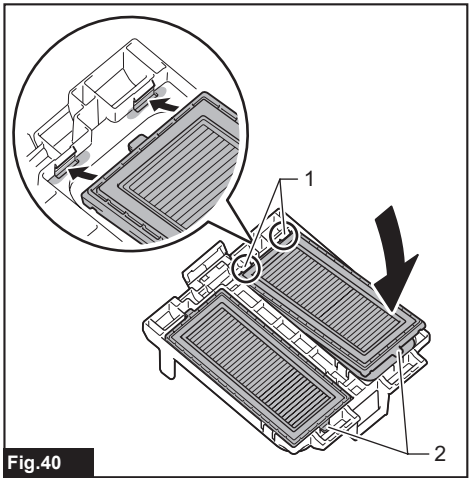


Fig.40

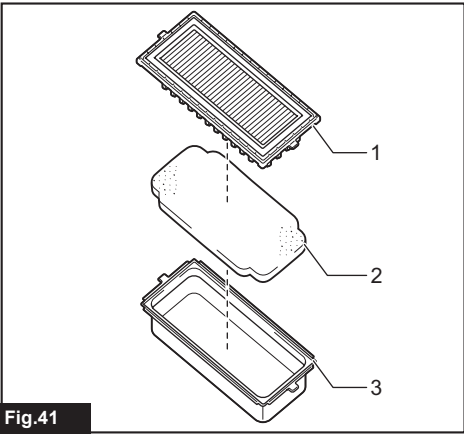


Fig.41

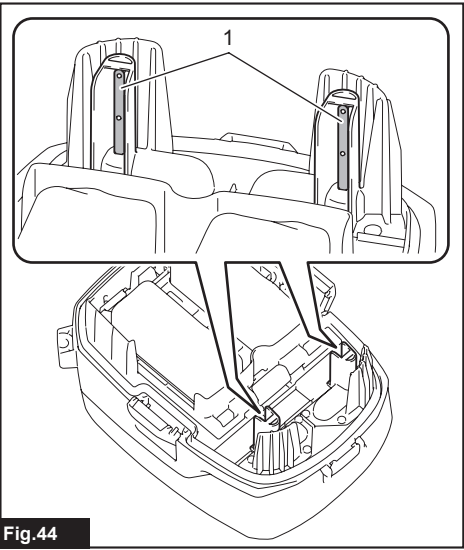


Fig.44

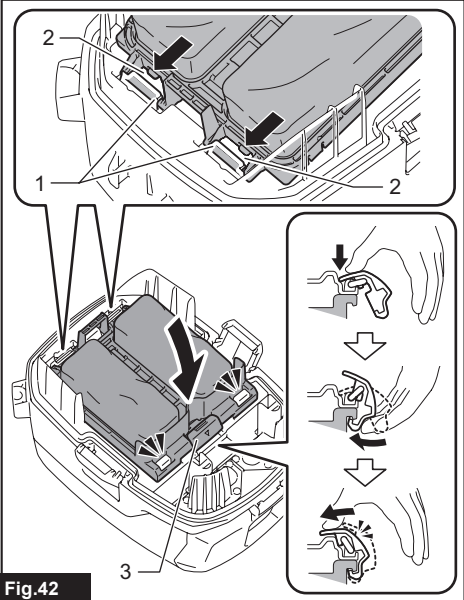


Fig.42

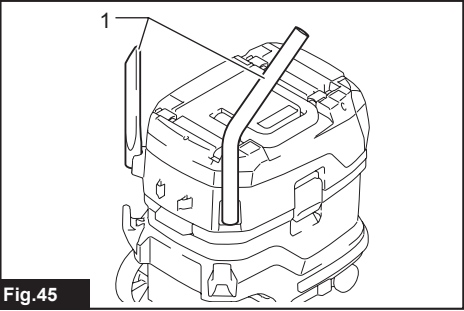


Fig.45

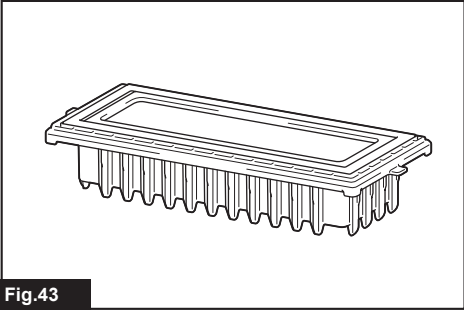


Fig.43

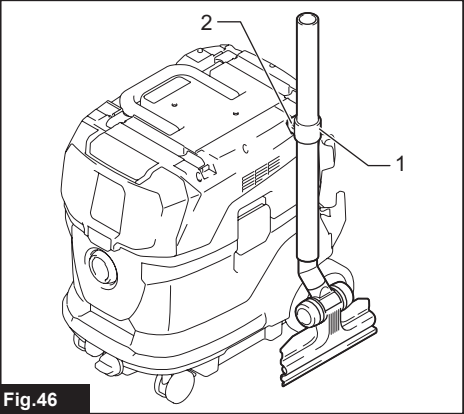


Fig.46

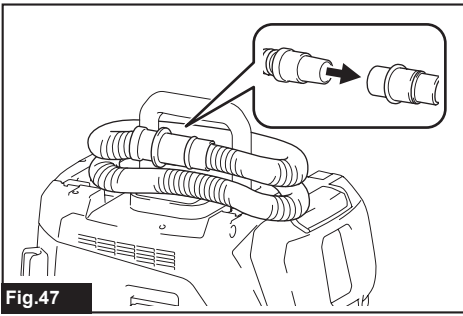


Fig.47

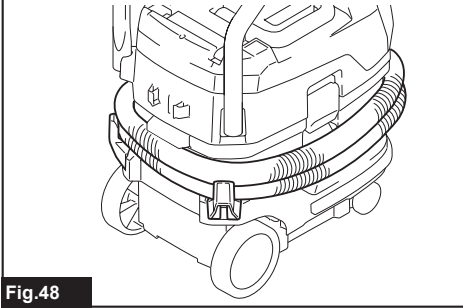


Fig.48

WARNING

- This machine is not intended for use by persons including children with reduced physical, sensory or mental capabilities, or lack of experience and knowledge.
- Children should be supervised to ensure that they do not play with the cleaner.
- See the chapter "SPECIFICATIONS" for the type reference of the battery.
- See the section "Installing or removing battery cartridge" for how to remove or install the battery.
- When disposing the battery cartridge, remove it from the tool and dispose of it in a safe place. Follow your local regulations relating to disposal of battery.
- If the tool is not used for a long period of time, the battery must be removed from the tool.
- Do not short the battery cartridge.
- See the chapter "MAINTENANCE" for the appropriate details of precautions during user maintenance.

SPECIFICATIONS

Model:		VC007GL
Maximum air volume at the end of hose	With BL4050F, ø28 mm x 3.5 m hose	2.0 m ³ /min
	With BL4050F, ø38 mm x 2.5 m hose	3.7 m ³ /min
Maximum air volume at turbine (with BL4050F)		4.9 m ³ /min
Vacuum (with BL4050F)		18 kPa
Recoverable capacity	Dust	40 L
	Water	30 L
Dimensions (L x W x H)		586 mm x 385 mm x 598 mm
Rated voltage		D.C. 72 V - 80 V max
Net weight		18,3 - 20,7 kg
Protection degree		IPX4

- Due to our continuing program of research and development, the specifications herein are subject to change without notice.
- Specifications may differ from country to country.
- The weight does not include accessories but battery cartridge(s). The lightest and heaviest combinations weight of the appliance and battery cartridge(s) are shown in the table.

Applicable battery cartridge and charger

Battery cartridge	BL4020 / BL4025 / BL4040* / BL4050F* / BL4080F* * : Recommended battery
Charger	DC40RA / DC40RB / DC40RC / DC40WA / BCC01 / BCC02

- Some of the battery cartridges and chargers listed above may not be available depending on your region of residence.

⚠ WARNING: Only use the battery cartridges and chargers listed above. Use of any other battery cartridges and chargers may cause injury and/or fire.

Symbols

The followings show the symbols which may be used for the equipment. Be sure that you understand their meaning before use.



Read instruction manual.



Take particular care and attention.



Warning! The cleaner may contain hazardous dust.



Never stand on the cleaner.



Never put anything heavier than 20 kg (44 lbs) on the cleaner.



Dust class L (light). The cleaners are capable of picking up dust class L. Follow your country's regulations relating to dusts and to occupational health and safety.



Only for EU countries
Due to the presence of hazardous components in the equipment, waste electrical and electronic equipment, accumulators and batteries may have a negative impact on the environment and human health. Do not dispose of electrical and electronic appliances or batteries with household waste!
In accordance with the European Directive on waste electrical and electronic equipment and on accumulators and batteries and waste accumulators and batteries, as well as their adaptation to national law, waste electrical equipment, batteries and accumulators should be stored separately and delivered to a separate collection point for municipal waste, operating in accordance with the regulations on environmental protection.
This is indicated by the symbol of the crossed-out wheeled bin placed on the equipment.

Intended use

The appliance is intended for collecting both wet and dry dust. The appliance is suitable for commercial use, for example in hotels, schools, hospitals, factories, shops, offices and rental businesses.

Noise

The typical A-weighted noise level determined according to EN60335-2-69:
Sound pressure level (L_{pA}) : 70 dB(A) or less
Uncertainty (K) : 2.5 dB (A)

The noise level under working may exceed 80 dB (A).

NOTE: The declared noise emission value(s) has been measured in accordance with a standard test method and may be used for comparing one tool with another.

NOTE: The declared noise emission value(s) may also be used in a preliminary assessment of exposure.

⚠WARNING: Wear ear protection.

⚠WARNING: The noise emission during actual use of the power tool can differ from the declared value(s) depending on the ways in which the tool is used especially what kind of workpiece is processed.

⚠WARNING: Be sure to identify safety measures to protect the operator that are based on an estimation of exposure in the actual conditions of use (taking account of all parts of the operating cycle such as the times when the tool is switched off and when it is running idle in addition to the trigger time).

Vibration

The vibration total value (tri-axial vector sum) determined according to EN60335-2-69:
Vibration emission ($a_{h,M}$) : 2.5 m/s^2 or less
Uncertainty (K) : 1.5 m/s^2

NOTE: The declared vibration total value(s) has been measured in accordance with a standard test method and may be used for comparing one tool with another.

NOTE: The declared vibration total value(s) may also be used in a preliminary assessment of exposure.

⚠WARNING: The vibration emission during actual use of the power tool can differ from the declared value(s) depending on the ways in which the tool is used especially what kind of workpiece is processed.

⚠WARNING: Be sure to identify safety measures to protect the operator that are based on an estimation of exposure in the actual conditions of use (taking account of all parts of the operating cycle such as the times when the tool is switched off and when it is running idle in addition to the trigger time).

Declarations of Conformity

For European countries only

The Declarations of conformity are included in Annex A to this instruction manual.

SAFETY WARNINGS

Cordless vacuum cleaner safety warnings

⚠WARNING: IMPORTANT! READ CAREFULLY all safety warnings and all instructions BEFORE USE. Failure to follow the warnings and instructions may result in electric shock, fire and/or serious injury.

1. Before use, make sure that this cleaner must be used by people who have been adequately instructed on the use of this cleaner.
2. Before use, operators shall be provided with information, instruction and training for the use of the machine and the substances for which it is to be used, including the safe method of removal and disposal of the material collected.
3. If foam/liquid comes out, switch off immediately.
4. Clean the water level limiting device regularly and examine it for signs of damage.
5. Always make sure that filters are correctly installed before use. Do not use the cleaner without filters in place. Replace a damaged filter immediately. It is recommended to have some spares as filters are consumable items.
6. AVOID UNINTENTIONAL STARTING. Be sure

- switch is OFF when installing battery(ies).
7. Do not attempt to pick up flammable materials, fireworks, lighted cigarettes, hot ashes, hot metal chips, and sharp materials such as razors, needles, broken glass or the like.
 8. **NEVER USE THE CLEANER IN THE VICINITY OF GASOLINE, GAS, PAINT, ADHESIVES OR OTHER HIGHLY EXPLOSIVE SUBSTANCES.** The switch emits sparks when turned ON and OFF. And so does the motor commutator during operation. A dangerous explosion may result.
 9. Never vacuum up toxic, carcinogenic, combustible or other hazardous materials such as asbestos, arsenic, barium, beryllium, lead, pesticides, or other health endangering materials.
 10. Always place the cleaner on a horizontal flat surface to prevent it from falling or moving unintentionally.
 11. Never use the cleaner outdoors in the rain.
 12. For Finland, this machine is not to be used outdoors at low temperature.
 13. Do not use close to heat sources (stoves, etc.).
 14. If the exhaust air is returned to the room, it is necessary to provide for an adequate air change rate in the room. Reference to National regulations is necessary.
 15. Do not block suction inlet/outlet/cooling vents. These vents permit cooling of the motor. Blockage should be carefully avoided otherwise the motor will burn out due to a lack of ventilation.
 16. Keep proper footing and balance at all times.
 17. Do not fold, tug or step on the hose.
 18. Stop the cleaner immediately if you notice poor performance or anything abnormal during operation.
 19. **REMOVE THE BATTERY(IES).** When not in use, before servicing, and when changing accessories.
 20. Clean and service the cleaner immediately after each use to keep it in tiptop operating condition.
 21. **MAINTAIN THE CLEANER WITH CARE.** Keep the cleaner clean for better and safer performance. Follow instructions for changing accessories. Keep handles dry, clean, and free from oil and grease.
 22. **CHECK DAMAGED PARTS.** Before further use of the cleaner, a guard or other part that is damaged should be carefully checked to determine that it will operate properly and perform its intended function. Check for alignment of moving parts, binding of moving parts, breakage of parts, mounting, and any other conditions that may affect its operation. A guard or other part that is damaged should be properly repaired or replaced by an authorized service center unless otherwise indicated elsewhere in this instruction manual. Have defective switches replaced by authorized service center. Don't use the cleaner if switch does not turn it on and off.
 23. For user servicing, the machine shall be dismantled, cleaned and serviced, as far as is reasonably practicable, without causing risk to the maintenance staff and others.
 24. The machine should be technically inspected by the manufacturer, or an instructed person, at least annually, consisting of, for example, inspection of filters for damage, air tightness of the machine and proper function of the control mechanism.
 25. When carrying out service or repair operations, all contaminated items which cannot be satisfactorily cleaned are to be disposed of; such items shall be disposed of in impervious bags in accordance with any current regulation for the disposal of such waste.
 26. **REPLACEMENT PARTS.** When servicing, use only identical replacement parts.
 27. When not in use, always store the cleaner indoors.
 28. Wet filters and the interior part of the liquid container shall be dried before storage.
 29. Be kind to your cleaner. Rough handling can cause breakage of even the most sturdily built cleaner.
 30. Do not attempt to clean the exterior or interior with benzine, thinner or cleaning chemicals. Cracks and discoloration may be caused.
 31. Do not use cleaner in an enclosed space where flammable, explosive or toxic vapors are given off by oil-based paint, paint-thinner, gasoline, some mothproofing substances, etc., or in areas where flammable dust is present.
 32. Do not operate the cleaner or any tool while under the influence of drugs or alcohol.
 33. As a basic rule of safety, use safety goggles or safety glasses with side shields.
 34. Use a dust mask in dusty work conditions.
 35. This machine is not intended for use by persons including children with reduced physical, sensory or mental capabilities, or lack of experience and knowledge.
 36. Children should be supervised to ensure that they do not play with the cleaner.
 37. Never handle battery(ies) and cleaner with wet hands.
 38. Use extreme caution when cleaning on stairs.
 39. Do not use the cleaner as a stool or work bench. The machine may fall down and may result in personal injury.
- Battery tool use and care**
1. **Recharge only with the charger specified by the manufacturer.** A charger that is suitable for one type of battery pack may create a risk of fire when used with another battery pack.
 2. **Use power tools only with specifically designated battery packs.** Use of any other battery packs may create a risk of injury and fire.
 3. **When battery pack is not in use, keep it away from other metal objects, like paper clips, coins, keys, nails, screws or other small metal objects, that can make a connection from one terminal to another.** Shorting the battery terminals together may cause burns or a fire.

4. **Under abusive conditions, liquid may be ejected from the battery; avoid contact. If contact accidentally occurs, flush with water. If liquid contacts eyes, additionally seek medical help.** Liquid ejected from the battery may cause irritation or burns.
 5. **Do not use a battery pack or tool that is damaged or modified.** Damaged or modified batteries may exhibit unpredictable behaviour resulting in fire, explosion or risk of injury.
 6. **Do not expose a battery pack or tool to fire or excessive temperature.** Exposure to fire or temperature above 130 °C may cause explosion.
 7. **Follow all charging instructions and do not charge the battery pack or tool outside the temperature range specified in the instructions.** Charging improperly or at temperatures outside the specified range may damage the battery and increase the risk of fire.
9. **Do not use a damaged battery.**
 10. **The contained lithium-ion batteries are subject to the Dangerous Goods Legislation requirements.**
For commercial transports e.g. by third parties, forwarding agents, special requirement on packaging and labeling must be observed. For preparation of the item being shipped, consulting an expert for hazardous material is required. Please also observe possibly more detailed national regulations.
Tape or mask off open contacts and pack up the battery in such a manner that it cannot move around in the packaging.
 11. **When disposing the battery cartridge, remove it from the tool and dispose of it in a safe place. Follow your local regulations relating to disposal of battery.**
 12. **Use the batteries only with the products specified by Makita.** Installing the batteries to non-compliant products may result in a fire, excessive heat, explosion, or leak of electrolyte.
 13. **If the tool is not used for a long period of time, the battery must be removed from the tool.**
 14. **During and after use, the battery cartridge may take on heat which can cause burns or low temperature burns. Pay attention to the handling of hot battery cartridges.**
 15. **Do not touch the terminal of the tool immediately after use as it may get hot enough to cause burns.**
 16. **Do not allow chips, dust, or soil stuck into the terminals, holes, and grooves of the battery cartridge.** It may cause heating, catching fire, burst and malfunction of the tool or battery cartridge, resulting in burns or personal injury.
 17. **Unless the tool supports the use near high-voltage electrical power lines, do not use the battery cartridge near high-voltage electrical power lines.** It may result in a malfunction or breakdown of the tool or battery cartridge.
 18. **Keep the battery away from children.**

SAVE THESE INSTRUCTIONS.

⚠WARNING: DO NOT let comfort or familiarity with product (gained from repeated use) replace strict adherence to safety rules for the subject product. MISUSE or failure to follow the safety rules stated in this instruction manual may cause serious personal injury.

Important safety instructions for battery cartridge

1. **Before using battery cartridge, read all instructions and cautionary markings on (1) battery charger, (2) battery, and (3) product using battery.**
2. **Do not disassemble or tamper with the battery cartridge.** It may result in a fire, excessive heat, or explosion.
3. **If operating time has become excessively shorter, stop operating immediately.** It may result in a risk of overheating, possible burns and even an explosion.
4. **If electrolyte gets into your eyes, rinse them out with clear water and seek medical attention right away.** It may result in loss of your eyesight.
5. **Do not short the battery cartridge:**
 - (1) **Do not touch the terminals with any conductive material.**
 - (2) **Avoid storing battery cartridge in a container with other metal objects such as nails, coins, etc.**
 - (3) **Do not expose battery cartridge to water or rain.**

A battery short can cause a large current flow, overheating, possible burns and even a breakdown.
6. **Do not store and use the tool and battery cartridge in locations where the temperature may reach or exceed 50 °C (122 °F).**
7. **Do not incinerate the battery cartridge even if it is severely damaged or is completely worn out.** The battery cartridge can explode in a fire.
8. **Do not nail, cut, crush, throw, drop the battery cartridge, or hit against a hard object to the battery cartridge.** Such conduct may result in a fire, excessive heat, or explosion.

SAVE THESE INSTRUCTIONS.

⚠CAUTION: Only use genuine Makita batteries. Use of non-genuine Makita batteries, or batteries that have been altered, may result in the battery bursting causing fires, personal injury and damage. It will also void the Makita warranty for the Makita tool and charger.

Tips for maintaining maximum battery life

1. **Charge the battery cartridge before completely discharged. Always stop tool operation and charge the battery cartridge when you notice less tool power.**
2. **Never recharge a fully charged battery cartridge. Overcharging shortens the battery service life.**
3. **Charge the battery cartridge with room**

temperature at 10 °C - 40 °C (50 °F - 104 °F). Let a hot battery cartridge cool down before charging it.

- When not using the battery cartridge, remove it from the tool or the charger.
- Charge the battery cartridge if you do not use it for a long period (more than six months).

Important safety instructions for wireless unit

- Never open the lid of the slot by yourself once installing the wireless unit.
- Do not disassemble or tamper with the wireless unit.
- Keep the wireless unit away from young children. If accidentally swallowed, seek medical attention immediately.
- Use the wireless unit only with Makita tools.
- Do not expose the wireless unit to rain or wet conditions.
- Do not use the wireless unit in places where the temperature exceeds 50 °C (122 °F).
- Do not operate the wireless unit in places where medical instruments, such as heart pace makers are nearby.
- Do not operate the wireless unit in places where automated devices are nearby. If operated, automated devices may develop malfunction or error.
- Do not operate the wireless unit in places under high temperature or places where static electricity or electrical noise could be generated.
- The wireless unit can produce electromagnetic fields (EMF) but they are not harmful to the user.
- The wireless unit is an accurate instrument. Be careful not to drop or strike the wireless unit.
- Avoid touching the terminal of the wireless unit with bare hands or metallic materials.
- Always remove the battery on the product when installing the wireless unit into it.
- When opening the lid of the slot, avoid the place where dust and water may come into the slot. Always keep the inlet of the slot clean.
- Always insert the wireless unit in the correct direction.
- Do not press the wireless activation button on the wireless unit too hard and/or press the button with an object with a sharp edge.
- Always close the lid of the slot when operating.
- Do not remove the wireless unit from the slot while the power is being supplied to the tool. Doing so may cause a malfunction of the wireless unit.
- Do not remove the sticker on the wireless unit.
- Do not put any sticker on the wireless unit.
- Do not leave the wireless unit in a place where static electricity or electrical noise could be generated.
- Do not leave the wireless unit in a place

subject to high heat, such as a car sitting in the sun.

- Do not leave the wireless unit in a dusty or powdery place or in a place corrosive gas could be generated.
- Sudden change of the temperature may bedew the wireless unit. Do not use the wireless unit until the dew is completely dried.
- When cleaning the wireless unit, gently wipe with a dry soft cloth. Do not use benzine, thinner, conductive grease or the like.
- When storing the wireless unit, keep it in the supplied case or a static-free container.
- Do not insert any devices other than Makita wireless unit into the slot on the tool.
- Do not use the tool with the lid of the slot damaged. Water, dust, and dirt come into the slot may cause malfunction.
- Do not pull and/or twist the lid of the slot more than necessary. Restore the lid if it comes off from the tool.
- Replace the lid of the slot if it is lost or damaged.

SAVE THESE INSTRUCTIONS.

FUNCTIONAL DESCRIPTION

CAUTION: Always be sure that the appliance is switched off and the battery cartridges are removed before adjusting or checking function on the appliance.

Installing or removing battery cartridge

CAUTION: Always switch off the tool before installing or removing of the battery cartridge.

CAUTION: Hold the cleaner and the battery cartridge firmly when installing or removing battery cartridge. Failure to hold the cleaner and the battery cartridge firmly may cause them to slip off your hands and result in damage to the cleaner and battery cartridge and a personal injury.

CAUTION: Be careful not to pinch your fingers when opening or closing the battery cover. Failure to do so may cause personal injury.

To install the battery cartridge, release the lock first, and then open the battery cover. After that, insert the battery cartridge.

► **Fig.1:** 1. Lock 2. Battery cover

Align the tongue on the battery cartridge with the groove in the housing and slip it into place. Insert it all the way until it locks in place with a little click. Then lock the battery cover.

► **Fig.2:** 1. Battery cartridge 2. Button

To remove the battery cartridge, slide it from the tool

while sliding the button in front of the cartridge.

⚠ CAUTION: Always install the battery cartridge fully. If not, it may accidentally fall out of the cleaner, causing injury to you or someone around you.

⚠ CAUTION: Do not install the battery cartridge forcibly. If the cartridge does not slide in easily, it is not being inserted correctly.

NOTE: The cleaner does not work with only one battery cartridge.

Indicating the remaining battery capacity

Press the check button on the battery cartridge to indicate the remaining battery capacity. The indicator lamps light up for a few seconds.

► **Fig.3:** 1. Indicator lamps 2. Check button

Indicator lamps			Remaining capacity
Lighted	Off	Blinking	
■	□	◐	
■ ■ ■ ■			75% to 100%
■ ■ ■ □			50% to 75%
■ ■ □ □			25% to 50%
■ □ □ □			0% to 25%
◐ □ □ □			Charge the battery.
■ ■ □ □			The battery may have malfunctioned.
□ □ ■ ■			

NOTE: Depending on the conditions of use and the ambient temperature, the indication may differ slightly from the actual capacity.


NOTE: The first (far left) indicator lamp will blink when the battery protection system works.


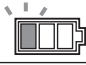


Battery indicators on control panel

The remaining battery capacity can be read on the control panel at any time. Press the check button, and the left and right indicators will show the battery charge levels correspondingly.

► **Fig.4:** 1. Left battery indicator 2. Right battery indicator 3. Check button

► **Fig.5**

Battery indicator status			Remaining battery capacity
On	Off	Blinking	
■	□	◐	
			50% to 100%

Battery indicator status			Remaining battery capacity
On	Off	Blinking	
			20% to 50%
			0% to 20%
			Charge the battery
			Battery not inserted

NOTE: Battery indicator works while two batteries are inserted.

NOTE: The battery indicators will also be activated when the cleaner starts functioning.



Appliance / battery protection system

The appliance is equipped with an appliance/battery protection system. This system automatically cuts off power to the motor to extend appliance and battery life. The appliance will automatically stop during operation if the appliance or battery is placed under one of the following conditions:

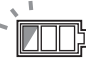
Overload protection

When the appliance/battery is operated in a manner that causes it to draw an abnormally high current, the appliance automatically stops. In this situation, turn the appliance off and stop the application that caused the appliance to become overloaded. Then turn the appliance on to restart.

Overheat protection

On	Blinking
	

When the appliance is overheated, the appliance stops automatically, and both left and right battery indicators blink. In this situation, let the appliance cool down and clean out the filters before turning the appliance on again.

On	Blinking
	

When the battery is overheated, the appliance stops automatically, and one of the indicators for overheated battery blinks. In this situation, let the battery cool down before turning the appliance on again.

Overdischarge protection

When the battery capacity becomes low, the appliance stops automatically. If the appliance does not run along with the switch operation, remove the batteries from the appliance and recharge them.

Protections against other causes

Protection system is also designed for other causes that could damage the appliance and allows the appliance to stop automatically. Take all the following steps to clear the causes, when the appliance has been brought to a temporary halt or stop in operation.

1. Turn the appliance off, and then turn it on again to restart.
2. Charge the battery(ies) or replace it/them with recharged battery(ies).
3. Let the appliance and battery(ies) cool down.

If no improvement can be found by restoring protection system, then contact your local Makita Service Center.

Switch action

Turning cleaner on

1. Turn the stand-by switch in the "I" (ON) or "AUTO" (ON) position to have the cleaner ready in stand-by mode.
2. Press the power button.
To switch back to stand-by mode, press the power button again.

Turning cleaner off

Perform one of the following steps.

- Press the power button to set the cleaner back in stand-by mode.
- Turn the stand-by switch in the "O" (OFF) position.

Adjusting suction power

The suction power can be adjusted according to your work needs.

- Turn the suction force adjusting knob to the left to reduce the suction power.
- Turn the suction force adjusting knob to the right to increase the suction power.

► **Fig.6:** 1. Stand-by switch 2. Suction force adjusting knob 3. Power button

NOTICE: Always set the stand-by switch to the "O" side when not using the cleaner for long time. The cleaner consumes power during stand-by state.

Auto-suction stop during wet suction operation

⚠ WARNING: Do not pick up foam or soapy liquid. It can cause foam to come out of air exit. Continuous use under such conditions may cause an electric shock and breakage of the cleaner.

The cleaner has a mechanism that prevents water from immersing into the motor when picking up more than a certain amount of water.

When the tank is full with liquid, the cleaner stops automatically. Switch off the cleaner and empty the tank.

Filter cleaning system

This appliance has filter cleaning system. During the use of the appliance, filter cleaning system dusts the filters automatically to prevent the suction force lowering because of clogging of filters.

If the appliance sucks up the large quantity of dust all at once, suction force may decrease. In that case, manual filter cleaning is recommended.

1. Switch off the appliance.
2. Set the suction power to maximum, and then close the suction hose opening with your palm.
3. Switch on the appliance and operate for approximately 15 seconds with the suction hose opening closed.

► **Fig.7:** 1. Suction hose opening

NOTE: Air volume may change while the filter cleaning system is being activated but it is not malfunctioned.

Water drain

When the tank is full with liquid, switch off the cleaner and open the water drain cap to empty the tank.

► **Fig.8:** 1. Water drain cap

Locking and unlocking casters

Front casters can be locked with stoppers to help the cleaner stand still.

Lower the stopper lever by hand to lock the caster, and raise it up to release.

► **Fig.9:** 1. Caster 2. Stopper lever 3. Unlocked position 4. Locked position

NOTE: When moving the cleaner, make sure that the caster is unlocked. Moving the cleaner with the caster in a locked position may cause damage to the caster.

Carriage handle

⚠ CAUTION: Lift and carry the appliance with due care. Failing to do so may result in personal injury or damage to the appliance.

When carrying the cleaner, carry it by holding the handle on the head unit. The handle is retractable on the head unit when not in use.

► **Fig.10**

If it is difficult to carry the appliance by yourself, carry it by two people as shown in the figure.

► **Fig.11**

► **Fig.12**

ASSEMBLY

⚠ CAUTION: Always be sure that the appliance is switched off and the battery cartridges are removed before carrying out any work on the appliance.

⚠ CAUTION: Always wear dust mask during assembly or maintenance.

Installing and disposing filter bag

Optional accessory

⚠ WARNING: Before using a filter bag, make sure that the filter unit is used together. Failure to use the filter unit together may cause unusual noise and heat, resulting in a fire.

NOTICE: Never pick up water or other liquids or wet dusts when using a filter bag. Picking up such things may cause the filter bag breakage.

1. Release the locking hooks and lift the head unit up off the tank.

► **Fig.13:** 1. Locking hook

2. Unfold a filter bag.

3. Align the filter bag opening with the dust intake of the tank.

4. Insert the cardboard of the filter bag onto the tool so that it is positioned at the end beyond the detent protrusion.

► **Fig.14:** 1. Filter bag 2. Cardboard opening 3. Filter bag holder 4. Dust intake 5. Edge

When disposing the filter bag, pull the edge on the filter bag's mouth so that the mouth is closed by a paper.

Installing polyethylene bag

Lay a polyethylene bag over the tank, and slip one side of the top edge of the bag at its open end in between the holder plate and the front wall of the tank.

Then, spread the other top edges of the bag outwards over the top rims of the tank.

Polyethylene bag can be used with filter bag.

► **Fig.15:** 1. Holder plate 2. Front wall of tank 3. Polyethylene bag

NOTE: A polyethylene bag available on the market can be used. The thickness is over 0.04 mm and the perimeter is over 2,000 mm one is recommended.

NOTE: Too much dust will tear the polyethylene bag easily, so do not overfill the bag. Disposing the heavy bag may be a burden on a human body.

Emptying tank with polyethylene bag

⚠ WARNING: Always make sure that the cleaner is switched off and the battery cartridges are removed before emptying the tank. Failure to do so may cause an electric shock and serious personal injury.

NOTICE: Empty the tank at least once a day although this depends on picked-up dust volume in the tank. Or, the suction force will weaken and the motor may be broken.

NOTICE: Do not grab the locking hooks when emptying the tank. Grabbing the locking hooks may cause them to break.

1. Release the locking hooks and lift the head unit up off the tank.

2. Remove the polyethylene bag out of the tank, closing the opening of the bag by hand.

► **Fig.16:** 1. Polyethylene bag 2. Tank

NOTE: Take the polyethylene bag out of the tank carefully to avoid it from being scratched and torn by the edges inside the tank.

NOTE: Empty the polyethylene bag before it becomes full. Too much dust in the tank may cause the polyethylene bag to be torn.

Installing hose

NOTICE: Never force the hose for bending or stamp it. Never move the cleaner by pulling the hose. Forcing, stamping and pulling the hose may cause a breakage or deformation of the hose.

NOTICE: When picking up large wastes such as planer carvings, concrete dusts or similar other than small wastes, use the 38 mm inner diameter hose (optional accessory). Using the 28 mm inner diameter hose (optional accessory) may cause a hose stuffing and damage.

Connection to cleaner

Insert the hose end to the dust intake (hose inlet) of the cleaner, then turn it clockwise until it locks in place.

► **Fig.17:** 1. Hose 2. Dust intake (hose inlet)

Connections with your work tools (Country specific)

By connecting the vacuum cleaner to any available work tools compatible with the cleaner, it works as a dust extractor for your power tools.

Select one of the front cuffs or joints (optional accessories) as most suitable for your tool model. Place the cuffs or joint, as necessary, between the front end of the cleaner hose and a dust extraction port of your tool.

► **Fig.18:** 1. Front cuffs or joint 2. Cleaner hose 3. Power tool 4. Vacuum cleaner

Installing or removing cleaner attachments

CAUTION: After installing an attachment, check if it is securely installed. If the attachment is installed imperfectly, it may come off and cause personal injury.

Attachments without lock function

Optional accessory

Insert an attachment into the suction inlet of the cleaner by pushing and hand screwing it in place.

Hand twist and pull the attachment apart from the suction inlet after use.

► Fig.19

Installing MAKPAC

Optional accessory

CAUTION: Do not stand on or sit on the top of the appliance. It may fall down because of instability.

CAUTION: Be careful with the operation when installing MAKPAC. Failing to do so may result in personal injury or damage to the appliance.

CAUTION: When MAKPAC is installed on the appliance, do not lift the appliance with the handle of MAKPAC.

CAUTION: When moving the appliance which is installed MAKPAC, do not push MAKPAC but the body of appliance. Pushing MAKPAC may break the latches and drop MAKPAC, which may result in personal injury.

Connectable and stackable MAKPAC storage cases can be installed on top of the cleaner. The cases are available in many sizes and styles to suit your preferences.

1. Unfold the latches on top surface of the cleaner.

► Fig.20: 1. Latch

2. Mount the MAKPAC cases on top of the cleaner and fix it with latches.

► Fig.21: 1. Latch 2. MAKPAC

Maximum height and weight of installing MAKPAC are 315 mm and 20 kg respectively.

► Fig.22

WIRELESS ACTIVATION FUNCTION

Optional accessory

What you can do with the wireless activation function

The wireless activation function enables clean and comfortable operation. By connecting a supported tool

to the cleaner, you can run the cleaner automatically along with the switch operation of the tool.

► Fig.23

NOTICE: Be sure to refer to the instruction manual of the tool when using the cleaner with wireless activation function.

NOTICE: Do not disassemble or tamper with the wireless unit.

NOTICE: To prevent dust coming into the slot of the wireless unit, always close the lid securely during operation and storage.

NOTICE: Do not press the wireless activation button too hard and/or press the button with an object with a sharp edge.

NOTE: Wireless activation needs Makita tools equipped with the wireless unit.

NOTE: Prior to the initial use of the wireless activation function with each tool, the tool registration is required. Once the registration is finished with the tool, the re-registration is not required unless it is cancelled.

NOTE: Before registration, be sure that the wireless unit is properly inserted.

NOTE: One wireless unit can register up to 10 links with other wireless units. If more than 10 other wireless units are registered to one wireless unit, the one registered earliest will be cancelled automatically.

NOTE: The position of the wireless activation button varies depending on the tool.

NOTE: The cleaner also starts by pressing the power button when the stand-by switch is set to "AUTO". However the power button will not actuate when the wireless activation function is used.

Installing the wireless unit

WARNING: Open the lid when you install the wireless unit at the first time only. Never open the lid after installing it.

CAUTION: Place the cleaner on a flat and stable surface when installing the wireless unit.

NOTICE: Clean the dust and dirt on the cleaner before installing the wireless unit. Dust or dirt may cause malfunction if it comes into the slot of the wireless unit.

NOTICE: To prevent the malfunction caused by static, touch a static discharging material, such as a metallic part, before picking up the wireless unit.

NOTICE: When installing the wireless unit, always be sure that the wireless unit is inserted in the correct direction and the lid is completely closed.

1. Loosen the screw to open the lid on the cleaner as shown in the figure.

► Fig.24: 1. Lid 2. Screw

2. Insert the wireless unit to the slot.

When inserting the wireless unit, align the projections with the recessed portions on the slot.

- **Fig.25:** 1. Wireless unit 2. Projection 3. Lid
4. Recessed portion

3. Tighten the screw completely to close the lid.

Tool registration for the cleaner

NOTE: A Makita tool supporting the wireless activation function is required for the tool registration.

NOTE: Finish installing the wireless unit to the tool before starting the tool registration.

NOTE: During the tool registration, do not pull the switch trigger on the tool or turn on the power switch on the cleaner.

NOTE: Refer to the instruction manual of the tool, too.

If you wish to activate the cleaner along with the switch operation of the tool, finish the tool registration beforehand.

1. Install the wireless units to the cleaner and the tool, respectively.
2. Install the batteries to the cleaner and the tool.
3. Set the stand-by switch on the cleaner to "AUTO".
► **Fig.26:** 1. Stand-by switch
4. Press the wireless activation button on the cleaner for 3 seconds until the wireless activation lamp blinks in green. And then press the wireless activation button on the tool in the same way.
► **Fig.27:** 1. Wireless activation button 2. Wireless activation lamp

If the cleaner and the tool are linked successfully, the wireless activation lamps will light up in green for 2 seconds and start blinking in blue.

NOTE: The wireless activation lamps finish blinking in green after 20 seconds elapsed. Press the wireless activation button on the tool while the wireless activation lamp on the cleaner is blinking. If the wireless activation lamp does not blink in green, push the wireless activation button briefly and hold it down again.

NOTE: When performing two or more tool registration for the cleaner, finish the tool registration one by one.

Starting the wireless activation function

NOTE: Finish the tool registration for the cleaner for wireless activation.

NOTE: Always place the cleaner so that you can see the status of the wireless activation lamp.

NOTE: Refer to the instruction manual of the tool, too.

After registering a tool to the cleaner, the cleaner will automatically runs along with the switch operation of the tool.

1. Install the wireless units to the cleaner and the tool, respectively.
2. Install the batteries to the cleaner and the tool.
3. Connect the hose of the cleaner with the tool.
► **Fig.28**

4. Set the stand-by switch on the cleaner to "AUTO".

► **Fig.29:** 1. Stand-by switch

5. Push the wireless activation button on the tool briefly. The wireless activation lamp will blink in blue.

► **Fig.30:** 1. Wireless activation button 2. Wireless activation lamp

6. Turn on the tool. Check if the cleaner runs while the tool is operating.

CAUTION: Always check if the wireless activation function works before starting a work with the tool.

To stop the wireless activation, push the wireless activation button on the tool, or set the stand-by switch on the cleaner to "I" or "O".

NOTE: The wireless activation lamp on the tool will stop blinking in blue when there is no operation for 2 hours. In this case, set the stand-by switch on the cleaner to "AUTO" and press the wireless activation button on the tool again.

NOTE: The cleaner starts/stops with a delay. There is a time lag when the cleaner detects a switch operation of the tool.

NOTE: The transmission distance of the wireless unit may vary depending on the location and surrounding circumstances.

NOTE: When two or more tools are registered to one cleaner, the cleaner may start running even if you do not turn on the tool because other user is using the wireless activation function.

Cancelling tool registration for the cleaner

Perform the following procedure when cancelling the tool registration for the cleaner.

1. Install the wireless units to the cleaner and the tool, respectively.
2. Install the batteries to the cleaner and the tool.
3. Set the stand-by switch on the cleaner to "AUTO".
► **Fig.31:** 1. Stand-by switch
4. Press the wireless activation button on the cleaner for 6 seconds. The wireless activation lamp blinks in green and then become red. After that, press the wireless activation button on the tool in the same way.
► **Fig.32:** 1. Wireless activation button 2. Wireless activation lamp

If the cancellation is performed successfully, the wireless activation lamps will light up in red for 2 seconds and start blinking in blue.

NOTE: The wireless activation lamps finish blinking in red after 20 seconds elapsed. Press the wireless activation button on the tool while the wireless activation lamp on the cleaner is blinking. If the wireless activation lamp does not blink in red, push the wireless activation button briefly and hold it down again.

Erasing all tool registrations

You can erase all tool registrations from the cleaner as follows.

► **Fig.33:** 1. Stand-by switch 2. Wireless activation button 3. Wireless activation lamp

1. Install the wireless unit to the cleaner.
2. Install the batteries to the cleaner.
3. Set the stand-by switch to "AUTO".
4. Hold down the wireless activation button for about 6 seconds until the wireless activation lamp blinks in red (about twice per one second).

5. When the wireless activation lamp starts blinking in red, release your finger from the wireless activation button. Thereafter, hold down the wireless activation button again for about 6 seconds.

6. When the wireless activation lamp starts blinking fast (about 5 times per one second) in red, release your finger from the wireless activation button. When the wireless activation lamp lights up in red and later lights off, all tool registrations are erased.

NOTE: If the wireless activation lamp does not blink in red, press the wireless activation button briefly and try again.

Description of the wireless activation lamp status

► **Fig.34:** 1. Wireless activation button 2. Wireless activation lamp

The wireless activation lamp shows the status of the wireless activation function. Refer to the below table for the meaning of the lamp status.

Status	Wireless activation lamp			Description
	Color	<input type="checkbox"/> On <input type="checkbox"/> Blinking	Duration (approximate)	
Standby	Blue	<input checked="" type="checkbox"/>	Cleaner: continuing Tool: 2 hours	Waiting for the tool registration or the wireless activation function is available. The lamp on the cleaner blinks when the stand-by switch is set in AUTO. The lamp on the tool blinks when the wireless activation button is pushed. The lamp on the tool will automatically turn off when no operation is performed for 2 hours.
		<input type="checkbox"/>	When the tool is running.	The wireless activation of the cleaner is available and the tool is running.
Tool registration	Green	<input checked="" type="checkbox"/>	20 seconds	Ready for the tool registration. Searching the tool to be registered.
		<input type="checkbox"/>	2 seconds	The tool registration has been finished. The wireless activation lamp will start blinking in blue.
Cancelling/erasing tool registration	Red	<input checked="" type="checkbox"/> (slow: 2 times/sec.)	20 seconds	Ready for the cancellation of the tool registration. Searching the tool to be cancelled.
		<input checked="" type="checkbox"/> (fast: 5 times/sec.)	When the wireless activation button is pressed down.	Ready to erase all tool registrations.
		<input type="checkbox"/>	2 seconds	The tool registration has been cancelled/erased. The wireless activation lamp will start blinking in blue.
Others	Red	<input type="checkbox"/>	3 seconds	The power is supplied to the wireless unit and the wireless activation function is starting up.
	Off	-	-	The stand-by switch is not set to "AUTO".

Troubleshooting for wireless activation function

Before asking for repairs, conduct your own inspection first. If you find a problem that is not explained in the manual, do not attempt to dismantle the tool. Instead, ask Makita Authorized Service Centers, always using Makita replacement parts for repairs.

State of abnormality	Probable cause (malfunction)	Remedy
The wireless activation lamp does not light/blink.	The wireless unit is not installed into the cleaner and/or the tool. The wireless unit is improperly installed into the cleaner and/or the tool.	Install the wireless unit correctly.
	The wireless activation button on the tool has not been pushed.	Push the wireless activation button on the tool briefly.
	The stand-by switch on the cleaner is not set to "AUTO".	Set the stand-by switch on the cleaner to "AUTO".
	No power supply	Supply the power to the tool and the cleaner.
Cannot finish tool registration / cancelling tool registration successfully.	The wireless unit is not installed into the cleaner and/or the tool. The wireless unit is improperly installed into the cleaner and/or the tool.	Install the wireless unit correctly.
	The stand-by switch on the cleaner is not set to "AUTO".	Set the stand-by switch on the cleaner to "AUTO".
	No power supply	Supply the power to the tool and the cleaner.
	Incorrect operation	Push the wireless activation button briefly and perform the tool registration/cancellation procedures again.
	The tool and cleaner are away from each other (out of the transmission range).	Get the tool and the cleaner closer to each other. The maximum transmission distance is approximately 10 m however it may vary according to the circumstances.
	Before finishing the tool registration/cancellation; - the switch of the tool is turned on or; - the power button on the cleaner is turned on.	Push the wireless activation button briefly and perform the tool registration/cancellation procedures again.
	The tool registration procedures for the tool or the cleaner has not finished.	Perform the tool registration procedures for the tool and the cleaner at the same timing.
	Radio disturbance by other appliances which generate high-intensity radio waves.	Keep the tool and the cleaner away from the appliances such as Wi-Fi devices and microwave ovens.
The cleaner does not run along with the switch operation of the tool.	The wireless unit is not installed into the cleaner and/or the tool. The wireless unit is improperly installed into the cleaner and/or the tool.	Install the wireless unit correctly.
	The wireless activation button on the tool has not been pushed.	Push the wireless activation button briefly and make sure that the wireless activation lamp is blinking in blue.
	The stand-by switch on the cleaner is not set to "AUTO".	Set the stand-by switch on the cleaner to "AUTO".
	More than 10 tools are registered to the cleaner.	Perform the tool registration again. If more than 10 tools are registered to the cleaner, the tool registered earliest will be cancelled automatically.
	The cleaner erased all tool registrations.	Perform the tool registration again.
	No power supply	Supply the power to the tool and the cleaner.
	The tool and cleaner are away from each other (out of the transmission range).	Get the tool and the cleaner closer to each other. The maximum transmission distance is approximately 10 m however it may vary according to the circumstances.
	Radio disturbance by other appliances which generate high-intensity radio waves.	Keep the tool and the cleaner away from the appliances such as Wi-Fi devices and microwave ovens.
The cleaner runs while the tool is not operating.	Other users are using the wireless activation of the cleaner with their tools.	Turn off the wireless activation button of the other tools or cancel the tool registration of the other tools.

State of abnormality	Probable cause (malfunction)	Remedy
Cannot erase all tool registrations in the cleaner.	Pressing the wireless button on the tool.	Press the wireless button on the cleaner for erasing all tool registrations.
	The stand-by switch on the cleaner is not set to "AUTO".	Set the stand-by switch on the cleaner to "AUTO".
	The wireless activation button is not held down correctly.	Hold down the wireless activation button for more than 6 seconds and then release it when the wireless activation lamp blinks in red. Hold down the wireless activation button for more than 6 seconds again until the wireless activation button rapidly blinks in red and then release the button.

MAINTENANCE

⚠ CAUTION: Always be sure that the appliance is switched off and the battery cartridges are removed before attempting to perform inspection or maintenance.

NOTICE: Never use gasoline, benzine, thinner, alcohol or the like. Discoloration, deformation or cracks may result.

To maintain product SAFETY and RELIABILITY, repairs, any other maintenance or adjustment should be performed by Makita Authorized or Factory Service Centers, always using Makita replacement parts.

Removing the filter unit

⚠ CAUTION: Wait for about 5 minutes so that dust in the tank completely settles down.

⚠ CAUTION: Be careful not to let the dust enter inside the tank cover when removing the filter unit.

The filter unit is attached on the head unit. It consists of top plate, prefilters, dampers and powder filters.

1. Release the locking hooks and lift the head unit off the tank.

2. Remove the filter unit from the head unit as shown in the figure.

▶ Fig.35: 1. Latch 2. Filter unit

Removing powder filter and prefilter

Picking up the knob and remove filters from the top plate.

▶ Fig.36: 1. Top plate 2. Filters 3. Knob

To prevent dusts from floating in the air, removing filters in the polyethylene bag is preferable.

When carrying the filter unit in order to clean out, tie a polyethylene bag firmly.

▶ Fig.37: 1. Filter unit 2. Polyethylene bag

▶ Fig.38: 1. Top plate 2. Filters 3. Polyethylene bag

Cleaning of powder filter, prefilter and damper

Clean out the filters and damper from time to time. Clogged filters and damper may result in poor suction

performance.

Regularly clean out the accumulated dust of filters and damper.

Occasionally wash the powder filter, prefilter and damper in water, rinse and dry thoroughly in the shade before use. Never wash them in a washing machine.

▶ Fig.39

NOTE: Do not rub or scratch the powder filter, the prefilter and the damper with hard objects such as a brush and a paddle.

NOTE: The filters wear out in course of time. It is recommended to have some spares for them.

Installing powder filter and prefilter

NOTICE: The powder filter and prefilter can pick up both dry dusts and wet dusts. Make sure that the water level sensors activate properly to prevent the powder filter breakage.

Hook the edges of the filter unit to the top plate, and then lower the knob.

▶ Fig.40: 1. Edge 2. Knob

NOTICE: Before using the powder filter, make sure that prefilter and damper are used together. It is not allowed to install powder filter alone.

Assembling the filters

When you get the filters separately, assemble them as shown in the figure.

▶ Fig.41: 1. Powder filter 2. Damper 3. Prefilter

Installing the filter unit

After installing the filters to the top plate, hook the holes of the filter unit to the U-shaped parts of the inner cover. Then, lock the latch as shown in the figure.

▶ Fig.42: 1. U-shaped part 2. Hole 3. Latch

Installing water filter

Optional accessory

NOTICE: For picking up wet dust, make sure that the water level sensors activate properly.

NOTICE: Do not use prefilter and damper when using water filter.

To pick up water or wet dust only, the water filter is more

suitable than the powder filter and prefilter.
When installing the water filter, fit the water filter to the top plate same as powder filter and prefilter.

► **Fig.43**

NOTE: It is recommended that using water filter when picking up large amount of water repeatedly. Otherwise vacuum ability may be reduced in case of the powder filter and prefilter.

Cleaning the water level sensors

The water level sensors detect liquid when the tank becomes full with liquid. Clean the water level sensors with a soft cloth from time to time when changing filters.

► **Fig.44:** 1. Water level sensor

Storage of accessories

Accessories and attachments not in use, such as nozzles and pipes can be stored hanging on the hook at the rear of the cleaner.

► **Fig.45:** 1. Accessory and attachment not in use

Pipes (with an optional stopper installed) can be placed into the pipe holder when not using the cleaner for a short time.

► **Fig.46:** 1. Stopper (optional accessory) 2. Pipe holder

A hose can be wrapped and stored around the housing or handle of the cleaner in large loops. Connect its both ends together to make loops and hook the loops onto the handle raised up. Alternatively, keep its root end installed in the hose inlet and hang the loops on the multi hook with the loose end tied up.

► **Fig.47**

► **Fig.48**

OPTIONAL ACCESSORIES

⚠ CAUTION: These accessories or attachments are recommended for use with your Makita tool specified in this manual. The use of any other accessories or attachments might present a risk of injury to persons. Only use accessory or attachment for its stated purpose.

If you need any assistance for more details regarding these accessories, ask your local Makita Service Center.

- Hose
- Front cuffs (22, 24, 38)
- Straight pipe
- Corner nozzle
- Round brush
- Powder filter M, H (HEPA)
- Damper
- Prefilter
- Water filter

- Nozzle assembly
- Bent pipe
- Polyethylene bag
- Filter bag
- Makita genuine battery and charger
- Wireless unit
- MAKPAC

NOTE: Some items in the list may be included in the tool package as standard accessories. They may differ from country to country.

AVERTISSEMENT

- Cette machine n'est pas destinée à être utilisée par des personnes (y compris les enfants) aux facultés physiques, sensorielles ou mentales diminuées ou sans expérience ni expertise.
- Les enfants doivent être sous la surveillance d'un adulte afin de s'assurer qu'ils ne jouent pas avec l'aspirateur.
- Voir le chapitre « SPÉCIFICATIONS » pour la désignation de la batterie.
- Voir la section « Insertion ou retrait de la batterie » pour la méthode de retrait ou d'insertion de la batterie.
- Une fois la batterie arrivée en fin de vie, retirez-la de l'outil et déposez-la en lieu sûr. Respectez la réglementation locale en matière de mise au rebut des batteries.
- Lorsque vous n'utilisez pas l'outil pendant une période prolongée, la batterie doit être retirée de l'outil.
- Ne court-circuitez pas la batterie.
- Voir le chapitre « ENTRETIEN » pour des précautions détaillées pendant l'entretien à la charge de l'utilisateur.

SPÉCIFICATIONS

Modèle :		VC007GL
Volume d'air maximum à l'extrémité du tuyau	Avec BL4050F, tuyau de ø28 mm x 3,5 m	2,0 m ³ /min
	Avec BL4050F, tuyau de ø38 mm x 2,5 m	3,7 m ³ /min
Volume d'air maximum sur la turbine (avec BL4050F)		4,9 m ³ /min
Aspiration (avec BL4050F)		18 kPa
Capacité de récupération	Poussière	40 L
	Eau	30 L
Dimensions (L x P x H)		586 mm x 385 mm x 598 mm
Tension nominale		C.C. 72 V - 80 V max.
Poids net		18,3 - 20,7 kg
Degré de protection		IPX4

- Étant donné l'évolution constante de notre programme de recherche et de développement, les spécifications contenues dans ce manuel sont sujettes à modification sans préavis.
- Les spécifications peuvent varier suivant les pays.
- Le poids ne comprend pas les accessoires, mais la ou les batteries. Le poids combiné le plus léger et le plus lourd de l'appareil et de la ou des batteries est indiqué dans le tableau.

Batterie et chargeur applicables

Batterie	BL4020 / BL4025 / BL4040* / BL4050F* / BL4080F* * : Batterie recommandée
Chargeur	DC40RA / DC40RB / DC40RC / DC40WA / BCC01 / BCC02

- Certains chargeurs et batteries répertoriés ci-dessus peuvent ne pas être disponibles selon la région où vous résidez.

⚠ AVERTISSEMENT : N'utilisez que les batteries et les chargeurs répertoriés ci-dessus. L'utilisation d'autres batteries et chargeurs peut provoquer des blessures et/ou un incendie.

Symboles

Vous trouverez ci-dessous les symboles susceptibles d'être utilisés pour l'appareil. Veuillez à comprendre leur signification avant toute utilisation.



Lire le mode d'emploi.



Veillez être prudent et rester attentif.



Avertissement ! Il se peut que l'aspirateur contienne des poussières dangereuses.



Ne vous tenez jamais sur l'aspirateur.



Ne placez jamais un objet pesant plus de 20 kg (44 lbs) sur l'aspirateur.



Catégorie de poussière L (léger). Un aspirateur est capable de ramasser les poussières de catégorie L. Suivez les réglementations de votre pays concernant les poussières et la santé et la sécurité au travail.



Ni-MH
Li-ion

Pour les pays de l'Union européenne uniquement
En raison de la présence de composants dangereux dans l'équipement, les déchets d'équipements électriques et électroniques, les accumulateurs et les batteries peuvent avoir un impact négatif sur l'environnement et la santé humaine.
Ne jetez pas les appareils électriques et électroniques ou les batteries avec les ordures ménagères !
Conformément à la directive européenne relative aux déchets d'équipements électriques et électroniques et aux déchets d'accumulateurs et de batteries, ainsi qu'à son adaptation à la législation nationale, les déchets d'équipements électriques, les batteries et les accumulateurs doivent être collectés séparément et déposés dans un point de collecte distinct pour déchets urbains, conformément aux réglementations en matière de protection de l'environnement.
Cela est indiqué par le symbole de la poubelle à roulettes barrée sur l'équipement.

Utilisations

L'appareil est conçu pour la collecte des poussières sèches et humides. L'appareil est prévu pour un usage commercial, par exemple, dans les hôtels, écoles, hôpitaux, usines, magasins, bureaux et agences de location.

Bruit

Niveau de bruit pondéré A typique, déterminé selon EN60335-2-69 :

Niveau de pression sonore (L_{pA}) : 70 dB (A) ou moins
Incertitude (K) : 2,5 dB (A)

Le niveau de bruit en fonctionnement peut dépasser 80 dB (A).

NOTE : La ou les valeurs d'émission de bruit déclarées ont été mesurées conformément à la méthode de test standard et peuvent être utilisées pour comparer les outils entre eux.

NOTE : La ou les valeurs d'émission de bruit déclarées peuvent aussi être utilisées pour l'évaluation préliminaire de l'exposition.

AVERTISSEMENT : Portez un serre-tête antibruit.

AVERTISSEMENT : L'émission de bruit lors de l'usage réel de l'outil électrique peut être différente de la ou des valeurs déclarées, suivant la façon dont l'outil est utilisé, particulièrement selon le type de pièce usinée.

AVERTISSEMENT : Les mesures de sécurité à prendre pour protéger l'utilisateur doivent être basées sur une estimation de l'exposition dans des conditions réelles d'utilisation (en tenant compte de toutes les composantes du cycle d'utilisation, comme par exemple le moment de sa mise hors tension, lorsqu'il tourne à vide et le moment de son déclenchement).

Vibrations

Valeur totale de vibrations (somme de vecteur triaxial) déterminée selon EN60335-2-69 :
Émission de vibrations ($a_{h,M}$) : 2,5 m/s² ou moins
Incertitude (K) : 1,5 m/s²

NOTE : La ou les valeurs de vibration totales déclarées ont été mesurées conformément à la méthode de test standard et peuvent être utilisées pour comparer les outils entre eux.

NOTE : La ou les valeurs de vibration totales déclarées peuvent aussi être utilisées pour l'évaluation préliminaire de l'exposition.

AVERTISSEMENT : L'émission de vibrations lors de l'usage réel de l'outil électrique peut être différente de la ou des valeurs déclarées, suivant la façon dont l'outil est utilisé, particulièrement selon le type de pièce usinée.

AVERTISSEMENT : Les mesures de sécurité à prendre pour protéger l'utilisateur doivent être basées sur une estimation de l'exposition dans des conditions réelles d'utilisation (en tenant compte de toutes les composantes du cycle d'utilisation, comme par exemple le moment de sa mise hors tension, lorsqu'il tourne à vide et le moment de son déclenchement).

Déclarations de conformité

Pour les pays européens uniquement

Les déclarations de conformité sont fournies en Annexe A à ce mode d'emploi.

CONSIGNES DE SÉCURITÉ

Consignes de sécurité pour aspirateur sans fil

⚠ AVERTISSEMENT : IMPORTANT ! LIRE ATTENTIVEMENT toutes les consignes de sécurité et toutes les instructions AVANT UTILISATION. Le non-respect des avertissements et des instructions peut entraîner une électrocution, un incendie et/ou de graves blessures.

1. Avant l'utilisation, veillez à ce que l'aspirateur soit utilisé par des personnes ayant reçu des instructions adéquates quant à son utilisation.
2. Avant toute utilisation, les opérateurs doivent recevoir les informations, les instructions et la formation nécessaires à l'utilisation de la machine et sur les substances pour lesquelles elle est utilisée, notamment la méthode sûre pour retirer et jeter les matières collectées.
3. Si de la mousse ou un liquide sort, éteignez-le immédiatement.
4. Nettoyez régulièrement le dispositif limitant le niveau d'eau et vérifiez qu'il ne présente pas de signes de dommage.
5. Assurez-vous toujours que les filtres sont correctement installés avant toute utilisation. N'utilisez pas l'aspirateur sans filtres en place. Remplacez immédiatement le filtre s'il est endommagé. Il est recommandé de disposer de pièces de rechange, car les filtres sont des pièces consommables.
6. ÉVITEZ LES DÉMARRAGES INTÉMPÊSTIFS. Veillez à mettre l'outil hors tension lors de la mise en place de la ou des batteries.
7. N'essayez pas d'aspirer des matériaux inflammables, du matériel pyrotechnique, des cigarettes allumées, des cendres chaudes, des copeaux de métal chauds et des matériaux tranchants comme un rasoir, des aiguilles, des morceaux de verre, etc.
8. N'UTILISEZ JAMAIS L'ASPIRATEUR À PROXIMITÉ D'ESSENCE, GAZ, PEINTURE, ADHÉSIFS OU AUTRES SUBSTANCES TRÈS EXPLOSIVES. L'interrupteur émet des étincelles à la mise sous et hors tension. Tout comme le commutateur du moteur pendant le fonctionnement. Une dangereuse explosion peut survenir.
9. N'aspirez jamais des matériaux toxiques, cancérogènes, combustibles ou d'autres produits dangereux comme l'amiante, l'arsenic, le baryum, le béryllium, le plomb, les pesticides ou d'autres matières présentant un danger pour la santé.
10. Placez toujours l'aspirateur sur une surface plane et horizontale afin d'empêcher sa chute ou son déplacement accidentel.
11. N'utilisez jamais l'aspirateur à l'extérieur sous la pluie.
12. Pour la Finlande, cette machine ne doit pas être utilisée à l'extérieur à basse température.
13. N'utilisez pas l'aspirateur près de sources de chaleur (cuisinières, etc.).
14. Si l'air évacué est ramené dans la pièce, il est nécessaire de prévoir un taux de renouvellement d'air adéquat dans la pièce. Il est nécessaire de consulter les réglementations nationales.
15. Ne bloquez pas les fentes de l'entrée d'aspiration, de la sortie ou d'aération. Ces fentes permettent le refroidissement du moteur. Il faut éviter soigneusement de les bloquer sous peine de griller le moteur en raison d'un manque d'aération.
16. Maintenez constamment une bonne assise et un bon équilibre.
17. Ne pliez pas le tuyau, ni ne tirez ou marchez dessus.
18. Arrêtez immédiatement l'aspirateur si vous remarquez des performances médiocres ou toute autre anomalie pendant le fonctionnement.
19. **RETIREZ LA OU LES BATTERIES.** Lorsque vous n'utilisez pas l'aspirateur, avant de le réparer et lors du remplacement des accessoires.
20. Procédez au nettoyage et à l'entretien de l'aspirateur immédiatement après chaque utilisation pour le maintenir dans des conditions de fonctionnement optimales.
21. **ENTRENEZ-VOUS SOIGNEUSEMENT L'ASPIRATEUR.** L'aspirateur doit toujours être propre pour améliorer la sécurité et les performances. Suivez les instructions pour remplacer les accessoires. Les poignées doivent toujours être sèches, propres et exemptes d'huile ou de graisse.
22. **VÉRIFIEZ LES PIÈCES ENDOMMAGÉES.** Avant toute nouvelle utilisation de l'aspirateur, vérifiez soigneusement un carter de protection ou toute autre pièce endommagée pour déterminer qu'ils fonctionnent bien et remplissent leurs fonctions respectives. Vérifiez l'alignement des pièces mobiles, le blocage des pièces mobiles, les pièces cassées, l'installation et tout autre état susceptible d'affecter le fonctionnement. Un carter de protection ou toute autre pièce endommagée doivent être réparés ou remplacés correctement par un centre de service après-vente agréé sauf indication contraire de ce mode d'emploi. Confiez le remplacement des interrupteurs défectueux à un centre de service après-vente agréé. N'utilisez pas l'aspirateur s'il ne peut pas être mis sous et hors tension au moyen de l'interrupteur.
23. Pour le dépannage utilisateur, la machine doit être démontée, nettoyée et dépannée, autant que raisonnablement possible, sans mettre en danger le personnel de maintenance et d'autres personnes.
24. La machine doit être inspectée sur le plan technique par le fabricant ou une personne formée, au moins une fois par an, et cette

inspection doit comprendre, entre autres, la vérification des dommages des filtres, de l'étanchéité à l'air de la machine et du bon fonctionnement du mécanisme de contrôle.

25. Lors des tâches d'entretien ou de réparation, tous les éléments contaminés ne pouvant être nettoyés de manière satisfaisante doivent être mis au rebut. Ces éléments doivent être jetés dans des sacs étanches conformément aux réglementations actuelles en matière de mise au rebut de ce type de déchets.
26. **PIÈCES DE RECHANGE.** En cas de réparation, utilisez uniquement des pièces de rechange identiques.
27. **RANGÉZ L'ASPIRATEUR APRÈS UTILISATION.** Lorsque vous n'utilisez pas l'aspirateur, rangez-le à l'intérieur.
28. Les filtres humides et la partie intérieure du récipient de liquide doivent être séchés avant rangement.
29. Épargnez votre aspirateur. Une manipulation brutale peut entraîner la rupture de l'aspirateur le plus robuste.
30. Ne nettoyez pas l'extérieur ou l'intérieur avec du benzène, du diluant ou d'autres produits chimiques de nettoyage. Vous risqueriez de le fissurer ou de le décolorer.
31. N'utilisez pas l'aspirateur dans un endroit fermé où des vapeurs inflammables, explosives ou toxiques sont dégagées par de la peinture à base d'huile, du diluant pour peinture, de l'essence, certains produits antimites, etc., ou dans des endroits exposés à des poussières inflammables.
32. N'utilisez pas cet outil ou tout autre sous l'emprise de drogues, de médicaments ou d'alcool.
33. Par mesure de sécurité, utilisez des lunettes à coques ou des lunettes de sécurité avec écrans latéraux.
34. Utilisez un masque anti-poussière dans des conditions de travail poussiéreuses.
35. Cette machine n'est pas destinée à être utilisée par des personnes (y compris les enfants) aux facultés physiques, sensorielles ou mentales diminuées ou sans expérience ni expertise.
36. Les enfants doivent être sous la surveillance d'un adulte afin de s'assurer qu'ils ne jouent pas avec l'aspirateur.
37. Ne manipulez jamais la ou les batteries et l'aspirateur avec les mains mouillées.
38. Redoublez de précaution lorsque vous nettoyez des escaliers.
39. N'utilisez pas l'aspirateur comme marchepied ou établi. La machine pourrait tomber et provoquer des blessures corporelles.

Utilisation et entretien des outils fonctionnant sur batterie

1. Rechargez la batterie uniquement avec le chargeur spécifié par le fabricant. Un chargeur qui est adapté à un type spécifique de batterie peut présenter un risque d'incendie s'il est utilisé avec un autre type de batterie.
2. Utilisez un outil électrique uniquement avec la batterie spécifiquement indiquée. L'utilisation

de toute autre batterie peut présenter un risque de blessure et d'incendie.

3. Lorsque vous n'utilisez pas la batterie, tenez-la à l'écart des objets métalliques, comme des trombones, pièces de monnaie, clés, clous, vis ou autres petits objets métalliques, susceptibles de créer une connexion entre deux bornes. Court-circuiter les bornes d'une batterie entre elles peut provoquer des brûlures ou un incendie.
4. Dans des conditions d'utilisation inadéquates, il peut y avoir une fuite de l'électrolyte de la batterie. Le cas échéant, évitez tout contact avec ce liquide. En cas de contact accidentel, rincez à l'eau. Si le liquide pénètre dans les yeux, consultez par ailleurs un médecin. Le liquide s'échappant de la batterie peut provoquer une irritation ou des brûlures.
5. N'utilisez pas une batterie ou un outil s'ils sont endommagés ou modifiés. Une batterie endommagée ou modifiée peut avoir un comportement imprévisible susceptible d'entraîner un incendie, une explosion ou des blessures.
6. N'exposez pas la batterie ou l'outil au feu ou à une température excessive. L'exposition au feu ou à une température supérieure à 130 °C peut provoquer une explosion.
7. Respectez toutes les instructions de charge et ne chargez pas la batterie ou l'outil en dehors de la plage de température indiquée dans les instructions. Une charge incorrecte ou à une température en dehors de la plage indiquée peut endommager la batterie et augmenter le risque d'incendie.

CONSERVEZ CES INSTRUCTIONS.

⚠ AVERTISSEMENT : NE vous laissez PAS tromper (au fil d'une utilisation répétée) par un sentiment d'aisance et de familiarité avec le produit, en négligeant le respect rigoureux des consignes de sécurité qui accompagnent le produit en question. La MAUVAISE UTILISATION de l'outil ou l'ignorance des consignes de sécurité indiquées dans ce mode d'emploi peut entraîner de graves blessures.

Consignes de sécurité importantes pour la batterie

1. Avant d'utiliser la batterie, lisez toutes les instructions et précautions relatives (1) au chargeur de batterie, (2) à la batterie, et (3) au produit utilisant la batterie.
2. Ne désassemblez pas et ne modifiez pas la batterie. Cela pourrait entraîner un incendie, une chaleur excessive ou une explosion.
3. Cessez immédiatement l'utilisation si le temps de fonctionnement devient excessivement court. Il y a un risque de surchauffe, de brûlures, voire d'explosion.
4. Si l'électrolyte pénètre dans vos yeux, rincez-les à l'eau claire et consultez immédiatement un médecin. Il y a un risque de perte de la

vue.

5. **Ne court-circuitez pas la batterie :**
 - (1) **Ne touchez les bornes avec aucun matériau conducteur.**
 - (2) **Évitez de ranger la batterie dans un conteneur avec d'autres objets métalliques, par exemple des clous, des pièces de monnaie, etc.**
 - (3) **N'exposez pas la batterie à l'eau ou à la pluie.**

Un court-circuit de la batterie peut provoquer une intensité de courant élevée, une surchauffe, parfois des brûlures et même une panne.

6. **Ne rangez ni n'utilisez l'outil et la batterie dans un endroit où la température risque d'atteindre ou de dépasser 50 °C.**
7. **Ne jetez pas la batterie au feu même si elle est sérieusement endommagée ou complètement épuisée. La batterie peut exploser au contact du feu.**
8. **Abstenez-vous de clouer, couper, écraser, jeter, laisser tomber la batterie, ou de la heurter contre un objet dur.** Cela pourrait entraîner un incendie, une chaleur excessive ou une explosion.
9. **N'utilisez pas la batterie si elle est endommagée.**
10. **Les batteries au lithium-ion contenues sont soumises aux exigences de la législation sur les marchandises dangereuses.**

Lors du transport commercial par des tierces parties ou des transitaires par exemple, des exigences spécifiques en matière d'étiquetage et d'emballage doivent être respectées.

Pour la préparation de l'article expédié, il est nécessaire de consulter un expert en matériau dangereux. Veuillez également respecter les réglementations nationales susceptibles d'être plus détaillées.

Recouvrez les contacts exposés avec du ruban adhésif ou du ruban de masquage et emballez la batterie de telle sorte qu'elle ne puisse pas bouger dans l'emballage.
11. **Lors de la mise au rebut de la batterie, retirez-la de l'outil et jetez-la en lieu sûr. Suivez les réglementations locales en matière de mise au rebut des batteries.**
12. **Utilisez les batteries uniquement avec les produits spécifiés par Makita.** L'insertion de batteries dans des produits non conformes peut provoquer un incendie, une chaleur excessive, une explosion ou une fuite de l'électrolyte.
13. **Lorsque vous n'utilisez pas l'outil pendant une période prolongée, la batterie doit être retirée de l'outil.**
14. **Pendant et après l'utilisation, la batterie peut chauffer, ce qui peut entraîner des brûlures, y compris en cas de température relativement basse. Manipulez les batteries chaudes avec précaution.**
15. **Ne touchez pas la borne de l'outil immédiatement après utilisation car elle peut être assez chaude pour provoquer des brûlures.**
16. **Évitez que des copeaux, de la poussière ou**

du sol adhérent aux bornes, aux trous et aux rainures de la batterie. Cela peut provoquer un échauffement, un incendie, une explosion ou un dysfonctionnement de l'outil ou de la batterie, ce qui peut entraîner des brûlures ou des blessures.

17. **À moins que l'outil prenne en charge un tel usage, n'utilisez pas la batterie à proximité de lignes électriques haute tension.** Cela pourrait entraîner un dysfonctionnement ou casser l'outil ou la batterie.
18. **Conservez la batterie hors de portée des enfants.**

CONSERVEZ CES INSTRUCTIONS.

⚠ ATTENTION : N'utilisez que des batteries Makita d'origine. L'utilisation de batteries de marque autre que Makita ou de batteries modifiées peut provoquer l'explosion des batteries, ce qui présente un risque d'incendie, de dommages matériels et corporels. Cela annulera également la garantie Makita pour l'outil et le chargeur Makita.

Conseils pour assurer la durée de vie optimale de la batterie

1. **Chargez la batterie avant qu'elle ne soit complètement déchargée. Arrêtez toujours l'outil et rechargez la batterie quand vous remarquez que la puissance de l'outil diminue.**
2. **Ne rechargez jamais une batterie complètement chargée. La surcharge réduit la durée de service de la batterie.**
3. **Chargez la batterie à une température ambiante comprise entre 10 °C et 40 °C. Avant de charger une batterie chaude, laissez-la refroidir.**
4. **Lorsque vous n'utilisez pas la batterie, retirez-la de l'outil ou du chargeur.**
5. **Rechargez la batterie si elle est restée inutilisée pendant une période prolongée (plus de six mois).**

Consignes de sécurité importantes pour le connecteur sans fil

1. **N'ouvrez jamais vous-même le couvercle de la fente après avoir installé le connecteur sans fil.**
2. **Ne démontez ni ne modifiez le connecteur sans fil.**
3. **Conservez le connecteur sans fil hors de portée des jeunes enfants. En cas d'ingestion accidentelle, consultez immédiatement un médecin.**
4. **Utilisez le connecteur sans fil uniquement avec des outils Makita.**
5. **N'exposez pas le connecteur sans fil à la pluie ou à l'humidité.**
6. **N'utilisez pas le connecteur sans fil dans un endroit où la température dépasse 50 °C.**
7. **Ne faites pas fonctionner le connecteur sans fil dans un endroit où des appareils médicaux comme des simulateurs cardiaques sont**

- utilisés.
8. **Ne faites pas fonctionner le connecteur sans fil dans un endroit où des appareils automatiques sont utilisés.** Sinon, ces appareils pourraient présenter un dysfonctionnement ou une erreur.
 9. **N'utilisez pas le connecteur sans fil dans un endroit à température élevée ou dans un endroit susceptible de générer de l'électricité statique ou du bruit électrique.**
 10. **Le connecteur sans fil peut produire des champs électromagnétiques (CEM), mais ceux-ci ne sont pas dangereux pour l'utilisateur.**
 11. **Le connecteur sans fil est un instrument de précision. Évitez de laisser tomber ou de cogner le connecteur sans fil.**
 12. **Évitez de toucher la borne du connecteur sans fil avec les mains nues ou avec des objets métalliques.**
 13. **Retirez toujours la batterie du produit avant d'y installer le connecteur sans fil.**
 14. **Évitez d'ouvrir le couvercle de la fente dans un endroit où de la poussière ou de l'eau pourrait pénétrer dans la fente. Maintenez toujours propre l'entrée de la fente.**
 15. **Insérez toujours le connecteur sans fil dans le bon sens.**
 16. **N'appuyez pas trop fort sur le bouton d'activation sans fil du connecteur sans fil, ni n'appuyez dessus avec un objet pointu.**
 17. **Fermez toujours le couvercle de la fente pendant le fonctionnement.**
 18. **Ne retirez pas le connecteur sans fil de la fente alors que l'outil est sous tension.** Vous risqueriez de provoquer un dysfonctionnement du connecteur sans fil.
 19. **Ne retirez pas l'autocollant du connecteur sans fil.**
 20. **Ne placez pas d'autocollant sur le connecteur sans fil.**
 21. **Ne laissez pas le connecteur sans fil dans un endroit susceptible de générer de l'électricité statique ou du bruit électrique.**
 22. **Ne laissez pas le connecteur sans fil dans un endroit soumis à une forte chaleur, comme une voiture en plein soleil.**
 23. **Ne laissez pas le connecteur sans fil dans un endroit poussiéreux ou sablonneux ou dans un endroit susceptible de générer des gaz corrosifs.**
 24. **De la condensation peut se former sur le connecteur sans fil en cas de brusque changement de température. N'utilisez pas le connecteur sans fil tant que la condensation n'a pas complètement séché.**
 25. **Pour nettoyer le connecteur sans fil, essuyez-le délicatement avec un chiffon doux et sec. N'utilisez pas de benzine, diluant, graisse conductrice ou autre.**
 26. **Rangez le connecteur sans fil en le conservant dans l'étui fourni ou dans un récipient anti-statique.**
 27. **N'insérez pas d'autres dispositifs que le**

connecteur sans fil Makita dans la fente sur l'outil.

28. **N'utilisez pas l'outil si le couvercle de la fente est endommagé.** L'eau, la poussière ou la saleté pourraient pénétrer dans la fente provoquant un dysfonctionnement.
29. **Ne tirez, ni ne tordez plus que nécessaire le couvercle de la fente.** Remettez le couvercle en place s'il se détache de l'outil.
30. **Remplacez le couvercle de la fente si vous le perdez ou l'endommagez.**

CONSERVEZ CES INSTRUCTIONS.

DESCRIPTION DU FONCTIONNEMENT

ATTENTION : Assurez-vous toujours que l'appareil est hors tension et que ses batteries sont retirées avant de l'ajuster ou de vérifier son fonctionnement.

Insertion ou retrait de la batterie

ATTENTION : Éteignez toujours l'outil avant de mettre en place ou de retirer la batterie.

ATTENTION : Tenez fermement l'aspirateur et la batterie lors de la mise en place ou du retrait de la batterie. Si vous ne tenez pas fermement l'aspirateur et la batterie, ils peuvent vous glisser des mains, et s'abîmer ou vous blesser.

ATTENTION : Veillez à ne pas vous pincer les doigts lors de l'ouverture ou de la fermeture du couvercle de batterie. Vous risqueriez autrement de vous blesser.

Pour mettre la batterie en place, libérez d'abord le verrou, puis ouvrez le couvercle de batterie. Ceci fait, insérez la batterie.

► Fig.1: 1. Verrou 2. Couvercle de batterie

Alignez la languette sur la batterie avec la rainure sur le compartiment et insérez-la. Insérez-la à fond jusqu'à ce qu'un léger déclic se fasse entendre. Verrouillez ensuite le couvercle de batterie.

► Fig.2: 1. Batterie 2. Bouton

Pour retirer la batterie, faites-la glisser hors de l'outil tout en faisant glisser le bouton à l'avant de la batterie.

ATTENTION : Insérez toujours à fond la batterie. Sinon, elle pourrait tomber accidentellement de l'aspirateur, au risque de vous blesser ou de blesser quelqu'un se trouvant à proximité.

ATTENTION : N'insérez pas la batterie de force. Si elle ne glisse pas facilement, c'est que vous ne l'insérez pas correctement.

NOTE : L'aspirateur ne fonctionne pas avec une seule batterie.

Indication de la charge restante de la batterie

Appuyez sur le bouton de vérification sur la batterie pour indiquer la charge restante de la batterie. Les témoins s'allument pendant quelques secondes.

► Fig.3: 1. Témoins 2. Bouton de vérification

Témoins			Charge restante
Allumé	Éteint	Clignotant	
■	□	◐	75 % à 100 %
■	■	■	50 % à 75 %
■	■	□	25 % à 50 %
■	□	□	0 % à 25 %
◐	□	□	Chargez la batterie.
■	■	□	Anomalie possible de la batterie.
□	□	■	

NOTE : Selon les conditions d'utilisation et la température ambiante, l'indication peut être légèrement différente de la capacité réelle.

NOTE : Le premier témoin (complètement à gauche) clignote pendant le fonctionnement du système de protection de la batterie.

Témoins de batterie sur le panneau de commande

La capacité restante de la batterie peut être lue à tout moment sur le panneau de commande. Appuyez sur le bouton de vérification. Les indicateurs gauche et droit indiquent les niveaux de charge de batterie en conséquence.

► Fig.4: 1. Témoin de la batterie gauche 2. Témoin de la batterie droit 3. Bouton de vérification

► Fig.5

Statut du témoin de la batterie			Charge restante de la batterie
Allumé	Éteint	Clignotant	
■	□	◐	50 % à 100 %
■	■	■	20 % à 50 %
■	□	□	0 % à 20 %

Statut du témoin de la batterie			Charge restante de la batterie
Allumé	Éteint	Clignotant	
■	□	◐	Chargez la batterie
■	■	■	Batterie non insérée

NOTE : Le témoin de la batterie fonctionne avec deux batteries insérées.

NOTE : Les témoins de la batterie sont également activés lorsque l'aspirateur commence à fonctionner.

Système de protection de l'appareil/la batterie

L'appareil est équipé d'un système de protection de l'appareil/la batterie. Ce système met automatiquement hors tension le moteur pour accroître l'autonomie de l'appareil et de la batterie. Si l'appareil ou la batterie se trouve dans l'une des situations suivantes, l'appareil cesse automatiquement de fonctionner :

Protection contre la surcharge

Lorsque l'appareil/la batterie est utilisé(e) d'une manière provoquant un appel de courant anormalement élevé, il s'arrête automatiquement. Dans ce cas, éteignez l'appareil et arrêtez la tâche ayant provoqué la surcharge de l'appareil. Puis rallumez l'appareil pour reprendre la tâche.

Protection contre la surchauffe

Allumé	Clignotant
■	◐

En cas de surchauffe de l'appareil, celui-ci s'arrête automatiquement et les deux témoins de la batterie gauche et droit clignotent. Dans ce cas, laissez l'appareil refroidir et nettoyez les filtres avant de rallumer l'appareil.

Allumé	Clignotant
■	◐

En cas de surchauffe de la batterie, l'appareil s'arrête automatiquement et l'un des témoins de surchauffe de la batterie clignote. Dans ce cas, laissez la batterie refroidir avant de rallumer l'appareil.

Protection contre la décharge totale de la batterie

Lorsque la capacité de la batterie devient faible, l'appareil s'arrête automatiquement. Si l'appareil ne fonctionne pas en utilisant l'interrupteur, retirez les batteries de l'appareil et rechargez-les.

Protections contre d'autres causes

Le système de protection est également conçu pour d'autres causes qui pourraient endommager l'appareil et lui permet de s'arrêter automatiquement. Suivez toutes les étapes ci-dessous pour éliminer les causes, lorsque l'appareil a été arrêté provisoirement ou a cessé de fonctionner.

1. Éteignez l'appareil, puis rallumez-le pour le redémarrer.
2. Chargez la ou les batteries ou remplacez-les par des batteries rechargées.
3. Laissez l'appareil et la ou les batteries refroidir.

En l'absence d'amélioration après avoir rétabli le système de protection, contactez votre centre de service Makita local.

Fonctionnement de la gâchette

Mise sous tension de l'aspirateur

1. Tournez le bouton de veille sur la position « I » (marche) ou « AUTO » (marche) pour que l'aspirateur soit prêt en mode de veille.
2. Appuyez sur le bouton d'alimentation. Pour que l'aspirateur revienne en mode de veille, appuyez à nouveau sur le bouton d'alimentation.

Mise hors tension de l'aspirateur

Effectuez l'une des étapes suivantes.

- Appuyez sur le bouton d'alimentation pour ramener l'aspirateur en mode de veille.
- Tournez le bouton de veille sur la position « O » (arrêt).

Réglage de la puissance d'aspiration

La puissance d'aspiration peut être réglée en fonction de vos besoins.

- Tournez le bouton de réglage de la puissance d'aspiration vers la gauche pour réduire la puissance d'aspiration.
- Tournez le bouton de réglage de la puissance d'aspiration vers la droite pour augmenter la puissance d'aspiration.

- **Fig.6:** 1. Bouton de veille 2. Bouton de réglage de la puissance d'aspiration 3. Bouton d'alimentation

REMARQUE : Placez toujours le bouton de veille sur la position « O » si vous prévoyez de ne pas utiliser l'aspirateur pendant une période prolongée. L'aspirateur consomme de l'énergie à l'état de veille.

Arrêt automatique de l'aspiration pendant l'aspiration humide

⚠ AVERTISSEMENT : Ne ramassez pas la mousse ou les liquides savonneux. La mousse peut s'échapper de la sortie d'air. L'utilisation continue dans ces conditions pourrait provoquer une électrocution et casser l'aspirateur.

L'aspirateur est pourvu d'un mécanisme qui empêche l'immersion de l'eau dans le moteur lors du ramassage d'une plus grande quantité d'eau. Lorsque le réservoir est saturé de liquide, l'aspirateur s'arrête automatiquement. Éteignez l'aspirateur et videz

le réservoir.

Système de nettoyage des filtres

Cet appareil comporte un système de nettoyage des filtres. Pendant l'utilisation de l'appareil, le système de nettoyage des filtres dépoussière automatiquement les filtres pour éviter que la force d'aspiration ne diminue en raison de l'obstruction des filtres.

Si l'appareil aspire une grande quantité de poussière d'un coup, la force d'aspiration peut diminuer. Dans ce cas, un nettoyage manuel des filtres est recommandé.

1. Éteignez l'appareil.
2. Réglez la puissance d'aspiration au maximum, puis fermez l'ouverture du tuyau d'aspiration avec votre paume.
3. Allumez l'appareil et faites-le fonctionner pendant environ 15 secondes avec l'ouverture du tuyau d'aspiration fermée.

- **Fig.7:** 1. Ouverture du tuyau d'aspiration

NOTE : Le volume d'air peut changer pendant l'activation du système de nettoyage des filtres, mais il ne s'agit pas d'un dysfonctionnement.

Vidange de l'eau

Lorsque le réservoir est saturé de liquide, éteignez l'aspirateur et ouvrez le bouchon de vidange de l'eau pour vider le réservoir.

- **Fig.8:** 1. Bouchon de vidange de l'eau

Blocage et déblocage des roulettes

Les roulettes avant peuvent être bloquées avec des freins pour aider l'aspirateur à rester immobile. Abaissez manuellement le frein de blocage pour bloquer la roulette, puis soulevez-le pour la libérer.

- **Fig.9:** 1. Roulette 2. Frein de blocage 3. Position LIBRE 4. Position BLOQUÉE

NOTE : Lorsque vous déplacez l'aspirateur, assurez-vous que la roulette est débloquée. Si vous déplacez l'aspirateur avec la roulette dans une position bloquée, vous risquez d'endommager la roulette.

Poignée de transport

⚠ ATTENTION : Soulevez et transportez l'appareil avec précaution. Le non-respect de cette consigne peut entraîner des blessures corporelles ou des dommages à l'appareil.

Transportez l'aspirateur en le tenant par la poignée située sur l'unité de la tête. La poignée est rétractable sur l'unité de la tête lorsqu'elle n'est pas utilisée.

- **Fig.10**

Si vous avez du mal à transporter l'appareil tout seul, transportez-le à deux, comme illustré sur la figure.

- **Fig.11**

- **Fig.12**

ASSEMBLAGE

⚠ ATTENTION : Vérifiez toujours que l'appareil est hors tension et que les batteries sont retirées avant toute intervention dessus.

⚠ ATTENTION : Portez toujours un masque anti-poussière pendant l'assemblage ou l'entretien.

Pose et dépose du sac-filtre

Accessoire en option

⚠ AVERTISSEMENT : Avant d'utiliser un sac-filtre, assurez-vous que l'unité de filtre est utilisée avec. Si vous n'utilisez pas également l'unité de filtre, un dégagement de chaleur et un bruit anormal peuvent se produire et provoquer un incendie.

REMARQUE : Ne ramassez jamais d'eau, d'autres liquides ou des poussières humides lorsque vous utilisez un sac-filtre. Le sac-filtre pourrait autrement se rompre.

1. Libérez les crochets de verrouillage et soulevez l'unité de la tête hors du réservoir.
▶ **Fig.13:** 1. Crochet de verrouillage
2. Dépliez un sac-filtre.
3. Alignez l'ouverture du sac-filtre sur l'entrée de la poussière du réservoir.
4. Insérez la partie en carton du sac-filtre sur l'outil de sorte qu'il soit placé à l'extrémité au-delà de la partie saillante à crans.
▶ **Fig.14:** 1. Sac-filtre 2. Ouverture en carton 3. Support pour sac-filtre 4. Entrée de la poussière 5. Bord

Lors de la mise au rebut du sac-filtre, tirez sur le bord de l'ouverture du sac-filtre pour fermer l'ouverture à l'aide d'un papier.

Installation d'un sac en polyéthylène

Placez un sac en polyéthylène sur le réservoir et glissez un côté du bord supérieur du sac à son extrémité ouverte entre la plaque du support et la paroi avant du réservoir.

Déployez ensuite les autres bords supérieurs du sac vers l'extérieur sur les bords supérieurs du réservoir. Le sac en polyéthylène peut être utilisé avec le sac-filtre.

- ▶ **Fig.15:** 1. Plaque du support 2. Paroi avant du réservoir 3. Sac en polyéthylène

NOTE : Un sac en polyéthylène en vente sur le marché peut être utilisé. Une épaisseur supérieure à 0,04 mm et un périmètre supérieur à 2 000 mm sont recommandés.

NOTE : Trop de poussière risque de déchirer facilement le sac en polyéthylène. Ne remplissez donc pas trop le sac. La mise au rebut d'un sac lourd peut présenter un risque pour le corps humain.

Comment vider le réservoir avec le sac en polyéthylène

⚠ AVERTISSEMENT : Assurez-vous toujours que l'aspirateur est hors tension et que les batteries sont retirées avant de vider le réservoir. Vous pourriez autrement vous électrocuter et gravement vous blesser.

REMARQUE : Videz le réservoir au moins une fois par jour (toutefois cela dépend du volume de poussière ramassée dans le réservoir). Sinon, la puissance d'aspiration diminuera et le moteur risque de casser.

REMARQUE : Ne tenez pas les crochets de verrouillage lorsque vous videz le réservoir. Si vous saisissez les crochets, vous risquez de les casser.

1. Libérez les crochets de verrouillage et soulevez l'unité de la tête hors du réservoir.
2. Retirez le sac en polyéthylène du réservoir, en fermant manuellement l'ouverture du sac.
▶ **Fig.16:** 1. Sac en polyéthylène 2. Réservoir

NOTE : Sortez le sac en polyéthylène du réservoir avec précaution pour éviter qu'il ne soit rayé et déchiré par les bords à l'intérieur du réservoir.

NOTE : Videz le sac en polyéthylène avant qu'il ne soit plein. Trop de poussière dans le réservoir peut déchirer le sac en polyéthylène.

Installation du tuyau

REMARQUE : Ne pliez jamais de force le tuyau, ni ne le piétinez. Ne déplacez jamais l'aspirateur en tirant sur le tuyau. Si vous forcez sur le tuyau, le piétinez ou tirez dessus, vous risquez de le rompre ou de le déformer.

REMARQUE : Lorsque vous ramassez des déchets de grande taille comme des débris de rabot, des poussières de béton ou autres déchets similaires de grande taille, utilisez un tuyau ayant un diamètre interne de 38 mm (accessoire en option). Si vous utilisez le tuyau ayant un diamètre interne de 28 mm (accessoire en option), vous risquez de boucher et endommager le tuyau.

Raccordement à l'aspirateur

Insérez l'extrémité du tuyau dans l'entrée de la poussière (entrée du tuyau) de l'aspirateur, puis tournez-la dans le sens des aiguilles d'une montre jusqu'à ce qu'elle se verrouille en place.

- ▶ **Fig.17:** 1. Tuyau 2. Entrée de la poussière (entrée du tuyau)

Raccordements avec vos outils de travail (Propre au pays)

En connectant l'aspirateur à tous les outils de travail disponibles compatibles avec l'aspirateur, il fonctionne comme un extracteur de poussière pour vos outils électriques.

Sélectionnez l'un des manchons avant ou des joints (accessoires en option) le mieux adapté à votre modèle d'outil. Placez les manchons ou le joint, au besoin,

entre l'extrémité avant du tuyau de l'aspirateur et un orifice d'extraction de la poussière de votre outil.

► **Fig.18:** 1. Manchons avant ou joint 2. Tuyau de l'aspirateur 3. Outil électrique 4. Aspirateur

Pose ou dépose des accessoires de l'aspirateur

⚠ ATTENTION : Après avoir installé un accessoire, assurez-vous qu'il est solidement installé. Si l'accessoire est mal installé, il risque de se déloger et de provoquer des blessures.

Lorsque vous utilisez un accessoire sans fonction de blocage

Accessoire en option

Insérez un accessoire dans l'entrée d'aspiration de l'aspirateur en le poussant et en le vissant en place à la main.

Faites tourner l'accessoire à la main et retirez-le de l'entrée d'aspiration après utilisation.

► **Fig.19**

Installation de MAKPAC

Accessoire en option

⚠ ATTENTION : Ne vous tenez pas debout sur l'appareil ni ne vous asseyez dessus. Il pourrait tomber en raison de l'instabilité.

⚠ ATTENTION : Faites attention lors de l'installation de MAKPAC. Le non-respect de cette consigne peut entraîner des blessures corporelles ou des dommages à l'appareil.

⚠ ATTENTION : Lorsque MAKPAC est installé sur l'appareil, ne soulevez pas l'appareil avec la poignée de MAKPAC.

⚠ ATTENTION : Lorsque vous déplacez l'appareil avec MAKPAC installé, ne poussez pas MAKPAC mais le corps de l'appareil. Le fait de pousser MAKPAC peut briser les loquets et faire tomber MAKPAC, ce qui peut entraîner des blessures.

Les boîtiers de rangement MAKPAC connectables et empilables peuvent être installés sur le dessus de l'aspirateur. Les boîtiers sont disponibles en plusieurs tailles et styles pour s'adapter à vos préférences.

1. Déployez les loquets sur la surface supérieure de l'aspirateur.

► **Fig.20:** 1. Loquet

2. Montez les boîtiers MAKPAC sur le dessus de l'aspirateur et fixez-les avec les loquets.

► **Fig.21:** 1. Loquet 2. MAKPAC

La hauteur et le poids maximum de l'installation de MAKPAC sont respectivement de 315 mm et 20 kg.

► **Fig.22**

FONCTION D'ACTIVATION SANS FIL

Accessoire en option

À quoi sert la fonction d'activation sans fil

La fonction d'activation sans fil offre un fonctionnement propre et confortable. En raccordant un outil compatible à l'aspirateur, vous pouvez déclencher automatiquement l'aspirateur en utilisant l'interrupteur de l'outil.

► **Fig.23**

REMARQUE : Consultez impérativement le mode d'emploi de l'outil lorsque vous utilisez l'aspirateur avec la fonction d'activation sans fil.

REMARQUE : Ne démontez ni ne modifiez le connecteur sans fil.

REMARQUE : Pour empêcher la poussière d'entrer dans la fente du connecteur sans fil, fermez toujours solidement le couvercle pendant le fonctionnement et le rangement.

REMARQUE : N'appuyez pas trop fort sur le bouton d'activation sans fil, ni n'appuyez dessus avec un objet pointu.

NOTE : L'activation sans fil nécessite des outils Makita pourvus du connecteur sans fil.

NOTE : Avant la première utilisation de la fonction d'activation sans fil avec chaque outil, il est nécessaire de procéder à l'enregistrement de l'outil. Une fois l'enregistrement de l'outil terminé, il n'est pas nécessaire de le ré-enregistrer sauf en cas d'annulation.

NOTE : Avant l'enregistrement, assurez-vous que le connecteur sans fil est correctement inséré.

NOTE : Un connecteur sans fil peut enregistrer jusqu'à 10 liens avec d'autres connecteurs sans fil. Si plus de 10 autres connecteurs sans fil sont enregistrés sur un connecteur sans fil, celui enregistré en premier sera automatiquement annulé.

NOTE : L'emplacement du bouton d'activation sans fil dépend de l'outil.

NOTE : L'aspirateur démarre également en appuyant sur le bouton d'alimentation lorsque le bouton de veille est placé sur « AUTO ».

Toutefois, le bouton d'alimentation ne fonctionnera pas pendant que la fonction d'activation sans fil est utilisée.

Installation du connecteur sans fil

⚠ AVERTISSEMENT : Ouvrez le couvercle lorsque vous installez pour la première fois le connecteur sans fil uniquement. N'ouvrez jamais le couvercle après l'avoir installé.

⚠ ATTENTION : Placez l'aspirateur sur une surface plane et stable pour y installer le connecteur sans fil.

REMARQUE : Retirez la poussière et la saleté sur l'aspirateur avant d'installer le connecteur sans fil. La poussière ou la saleté peuvent provoquer des dysfonctionnements si elles pénètrent dans la fente sur le connecteur sans fil.

REMARQUE : Pour éviter un dysfonctionnement provoqué par l'électricité statique, touchez un matériau conducteur comme une pièce métallique, avant de prendre dans vos mains le connecteur sans fil.

REMARQUE : Lorsque vous installez le connecteur sans fil, veillez toujours à l'insérer dans le bon sens et assurez-vous que le couvercle est complètement fermé.

1. Desserrez la vis pour ouvrir le couvercle sur l'aspirateur comme illustré sur la figure.

► **Fig.24**: 1. Couvercle 2. Vis

2. Insérez le connecteur sans fil sur la fente.

Lors de l'insertion du connecteur sans fil, alignez les parties saillantes avec les parties creuses sur la fente.

► **Fig.25**: 1. Connecteur sans fil 2. Partie saillante 3. Couvercle 4. Partie creuse

3. Serrez complètement la vis pour fermer le couvercle.

Enregistrement de l'outil pour l'aspirateur

NOTE : Un outil Makita compatible avec la fonction d'activation sans fil est nécessaire pour l'enregistrement de l'outil.

NOTE : Terminez la mise en place du connecteur sans fil sur l'outil avant de commencer l'enregistrement de l'outil.

NOTE : Pendant l'enregistrement de l'outil, n'enclenchez pas la gâchette sur l'outil, ni ne mettez sous tension l'aspirateur.

NOTE : Consultez aussi le mode d'emploi de l'outil.

Si vous souhaitez activer l'aspirateur en utilisant l'interrupteur de l'outil, terminez d'abord l'enregistrement de l'outil.

1. Installez les connecteurs sans fil sur l'aspirateur et l'outil, respectivement.

2. Installez les batteries dans l'aspirateur et l'outil.

3. Placez le bouton de veille de l'aspirateur sur « AUTO ».

► **Fig.26**: 1. Bouton de veille

4. Appuyez sur le bouton d'activation sans fil de l'aspirateur pendant 3 secondes jusqu'à ce que le témoin d'activation sans fil clignote en vert. Puis appuyez sur le bouton d'activation sans fil de l'outil de la même façon.

► **Fig.27**: 1. Bouton d'activation sans fil 2. Témoin d'activation sans fil

Si la liaison entre l'aspirateur et l'outil est réussie, les

témoins d'activation sans fil s'allumeront en vert pendant 2 secondes et se mettront à clignoter en bleu.

NOTE : Les témoins d'activation sans fil cessent de clignoter en vert au bout de 20 secondes. Appuyez sur le bouton d'activation sans fil de l'outil pendant que le témoin d'activation sans fil de l'aspirateur clignote. Si le témoin d'activation sans fil ne clignote pas en vert, appuyez brièvement sur le bouton d'activation sans fil et maintenez-le à nouveau enfoncé.

NOTE : Si vous effectuez plus de deux enregistrements d'outils pour l'aspirateur, terminez-les l'un après l'autre.

Démarrage de la fonction d'activation sans fil

NOTE : Terminez l'enregistrement de l'outil pour l'aspirateur pour l'activation sans fil.

NOTE : Positionnez toujours l'aspirateur de sorte à voir le statut du témoin d'activation sans fil.

NOTE : Consultez aussi le mode d'emploi de l'outil.

Après avoir enregistré un outil sur l'aspirateur, ce dernier se déclenchera automatiquement en utilisant l'interrupteur de l'outil.

1. Installez les connecteurs sans fil sur l'aspirateur et l'outil, respectivement.

2. Installez les batteries dans l'aspirateur et l'outil.

3. Raccordez le tuyau de l'aspirateur à l'outil.

► **Fig.28**

4. Placez le bouton de veille de l'aspirateur sur « AUTO ».

► **Fig.29**: 1. Bouton de veille

5. Appuyez brièvement sur le bouton d'activation sans fil sur l'outil. Le témoin d'activation sans fil clignote en bleu.

► **Fig.30**: 1. Bouton d'activation sans fil 2. Témoin d'activation sans fil

6. Mettez l'outil sous tension. Vérifiez que l'aspirateur fonctionne pendant le fonctionnement de l'outil.

⚠ ATTENTION : Vérifiez toujours si la fonction d'activation sans fil fonctionne avant de commencer une tâche avec l'outil.

Pour arrêter l'activation sans fil, poussez le bouton d'activation sans fil sur l'outil ou placez le bouton de veille sur l'aspirateur sur « I » ou « O ».

NOTE : Le témoin d'activation sans fil de l'outil cessera de clignoter en bleu en l'absence d'opérations pendant 2 heures. Dans ce cas, placez le bouton de veille de l'aspirateur sur « AUTO » et appuyez à nouveau sur le bouton d'activation sans fil de l'outil.

NOTE : L'aspirateur démarre/s'arrête avec un léger retard. Il y a un décalage lorsque l'aspirateur détecte l'utilisation de l'interrupteur de l'outil.

NOTE : La distance de transmission du connecteur sans fil peut varier selon l'emplacement et les conditions environnantes.

NOTE : Si plus de deux outils sont enregistrés sur un aspirateur, ce dernier peut se mettre en marche sans que vous mettiez sous tension l'outil, car un autre utilisateur emploie la fonction d'activation sans fil.

Annulation de l'enregistrement de l'outil pour l'aspirateur

Procédez comme indiqué ci-après pour annuler l'enregistrement de l'outil pour l'aspirateur.

1. Installez les connecteurs sans fil sur l'aspirateur et l'outil, respectivement.
2. Installez les batteries dans l'aspirateur et l'outil.
3. Placez le bouton de veille de l'aspirateur sur « AUTO ».

► **Fig.31:** 1. Bouton de veille

4. Appuyez sur le bouton d'activation sans fil de l'aspirateur pendant 6 secondes. Le témoin d'activation sans fil clignote en vert, puis devient rouge. Après cela, appuyez sur le bouton d'activation sans fil de l'outil de la même façon.







► **Fig.32:** 1. Bouton d'activation sans fil 2. Témoin d'activation sans fil

Si l'annulation est réussie, les témoins d'activation sans fil s'allument en rouge pendant 2 secondes et se mettent à clignoter en bleu.

Description du statut du témoin d'activation sans fil

► **Fig.34:** 1. Bouton d'activation sans fil 2. Témoin d'activation sans fil

Le témoin d'activation sans fil indique le statut de la fonction d'activation sans fil. Consultez le tableau ci-dessous pour la signification du statut du témoin.

Statut	Témoin d'activation sans fil			Durée (approximative)	Description
	Couleur	 Allumé	 Clignotant		
Veille	Bleu			Aspirateur : continu Outil : 2 heures	En attente de la disponibilité de l'enregistrement de l'outil ou de la fonction d'activation sans fil. Le témoin sur l'aspirateur clignote lorsque le bouton de veille est placé sur AUTO. Le témoin sur l'outil clignote lorsque le bouton d'activation sans fil est enfoncé. Le témoin sur l'outil s'éteint automatiquement en l'absence d'opérations pendant 2 heures.
				Pendant le fonctionnement de l'outil.	L'activation sans fil de l'aspirateur est disponible et l'outil fonctionne.
Enregistrement de l'outil	Vert			20 secondes	Prêt pour l'enregistrement de l'outil. Recherche en cours de l'outil à enregistrer.
				2 secondes	L'enregistrement de l'outil est terminé. Le témoin d'activation sans fil se met à clignoter en bleu.

NOTE : Les témoins d'activation sans fil arrêtent de clignoter en rouge au bout de 20 secondes. Appuyez sur le bouton d'activation sans fil de l'outil pendant que le témoin d'activation sans fil de l'aspirateur clignote. Si le témoin d'activation sans fil ne clignote pas en rouge, appuyez brièvement sur le bouton d'activation sans fil et maintenez-le à nouveau enfoncé.







Effacement de tous les enregistrements d'outils

Vous pouvez effacer tous les enregistrements d'outils de l'aspirateur comme suit.

► **Fig.33:** 1. Bouton de veille 2. Bouton d'activation sans fil 3. Témoin d'activation sans fil

1. Installez le connecteur sans fil sur l'aspirateur.
2. Installez les batteries dans l'aspirateur.
3. Placez le bouton de veille sur « AUTO ».
4. Maintenez enfoncé le bouton d'activation sans fil pendant 6 secondes environ jusqu'à ce que le témoin d'activation sans fil clignote en rouge (environ deux fois par seconde).
5. Lorsque le témoin d'activation sans fil se met à clignoter en rouge, relâchez votre doigt du bouton d'activation sans fil. Ensuite, maintenez à nouveau enfoncé le bouton d'activation sans fil pendant 6 secondes environ.
6. Lorsque le témoin d'activation sans fil se met à clignoter rapidement en rouge (environ 5 fois par seconde), relâchez votre doigt du bouton d'activation sans fil. Lorsque le témoin d'activation sans fil s'allume en rouge, puis s'éteint, tous les enregistrements d'outils sont effacés.

NOTE : Si le témoin d'activation sans fil ne clignote pas en rouge, appuyez brièvement sur le bouton d'activation sans fil et réessayez.

Statut	Témoin d'activation sans fil			Description	
	Couleur	 Allumé	 Clignotant		Durée (approximative)
Annulation/effacement de l'enregistrement de l'outil	Rouge	 (lent : 2 fois/seconde)		20 secondes	Prêt pour l'annulation de l'enregistrement de l'outil. Recherche en cours de l'outil à annuler.
		 (rapide : 5 fois/seconde)		Lorsque le bouton d'activation sans fil est enfoncé.	Prêt à effacer tous les enregistrements d'outils.
				2 secondes	L'enregistrement de l'outil a été annulé/effacé. Le témoin d'activation sans fil se met à clignoter en bleu.
Autres	Rouge			3 secondes	Le connecteur sans fil est alimenté en électricité et la fonction d'activation sans fil démarre.
	Éteint	-		-	Le bouton de veille n'est pas placé sur « AUTO ».

Guide de dépannage de la fonction d'activation sans fil

Avant de faire une demande de réparation, effectuez d'abord vous-même une inspection. Si vous rencontrez un problème non documenté dans le mode d'emploi, n'essayez pas de démonter l'outil. Demandez plutôt à un centre de service après-vente Makita agréé d'effectuer la réparation au moyen de pièces de rechange Makita.

État d'anomalie	Cause probable (dysfonctionnement)	Solution
Le témoin d'activation sans fil ne s'allume pas ou ne clignote pas.	Le connecteur sans fil n'est pas installé sur l'aspirateur et/ou l'outil. Le connecteur sans fil est mal installé sur l'aspirateur et/ou l'outil.	Installez correctement le connecteur sans fil.
	Le bouton d'activation sans fil de l'outil n'a pas été enfoncé.	Appuyez brièvement sur le bouton d'activation sans fil sur l'outil.
	Le bouton de veille de l'aspirateur n'est pas placé sur « AUTO ».	Placez le bouton de veille de l'aspirateur sur « AUTO ».
	Pas d'alimentation électrique	Mettez sous tension l'outil et l'aspirateur.
Impossible de terminer correctement l'enregistrement de l'outil/l'annulation de l'enregistrement de l'outil.	Le connecteur sans fil n'est pas installé sur l'aspirateur et/ou l'outil. Le connecteur sans fil est mal installé sur l'aspirateur et/ou l'outil.	Installez correctement le connecteur sans fil.
	Le bouton de veille de l'aspirateur n'est pas placé sur « AUTO ».	Placez le bouton de veille de l'aspirateur sur « AUTO ».
	Pas d'alimentation électrique	Mettez sous tension l'outil et l'aspirateur.
	Fonctionnement incorrect	Appuyez brièvement sur le bouton d'activation sans fil et recommencez l'enregistrement de l'outil/l'annulation de l'enregistrement de l'outil.
	L'outil et l'aspirateur sont éloignés l'un de l'autre (hors de la portée de transmission).	Rapprochez l'outil de l'aspirateur. La distance de transmission maximum est d'environ 10 m, toutefois elle peut varier selon les circonstances.
	Avant de terminer l'enregistrement/l'annulation de l'outil ; - l'interrupteur de l'outil est en position de marche ou ; - le bouton d'alimentation de l'aspirateur est placé sur Marche.	Appuyez brièvement sur le bouton d'activation sans fil et recommencez l'enregistrement de l'outil/l'annulation de l'enregistrement de l'outil.
	Les procédures d'enregistrement de l'outil pour l'outil ou l'aspirateur ne sont pas terminées.	Procédez à l'enregistrement de l'outil pour l'outil et l'aspirateur en même temps.
	Interférence radio d'autres appareils qui génèrent des ondes radio puissantes.	Maintenez l'outil et l'aspirateur à l'écart des appareils comme des appareils Wi-Fi et des fours à micro-ondes.

État d'anomalie	Cause probable (dysfonctionnement)	Solution
L'aspirateur ne se met pas en marche avec l'utilisation de l'interrupteur de l'outil.	Le connecteur sans fil n'est pas installé sur l'aspirateur et/ou l'outil. Le connecteur sans fil est mal installé sur l'aspirateur et/ou l'outil.	Installez correctement le connecteur sans fil.
	Le bouton d'activation sans fil de l'outil n'a pas été enfoncé.	Appuyez brièvement sur le bouton d'activation sans fil et assurez-vous que le témoin d'activation sans fil clignote en bleu.
	Le bouton de veille de l'aspirateur n'est pas placé sur « AUTO ».	Placez le bouton de veille de l'aspirateur sur « AUTO ».
	Plus de 10 outils sont enregistrés sur l'aspirateur.	Recommencez l'enregistrement de l'outil. Si plus de 10 outils sont enregistrés sur l'aspirateur, l'outil enregistré le plus tôt sera automatiquement annulé.
	L'aspirateur a effacé tous les enregistrements d'outils.	Recommencez l'enregistrement de l'outil.
	Pas d'alimentation électrique	Mettez sous tension l'outil et l'aspirateur.
	L'outil et l'aspirateur sont éloignés l'un de l'autre (hors de la portée de transmission).	Rapprochez l'outil de l'aspirateur. La distance de transmission maximum est d'environ 10 m, toutefois elle peut varier selon les circonstances.
	Interférence radio d'autres appareils qui génèrent des ondes radio puissantes.	Maintenez l'outil et l'aspirateur à l'écart des appareils comme des appareils Wi-Fi et des fours à micro-ondes.
L'aspirateur fonctionne alors que l'outil ne fonctionne pas.	D'autres utilisateurs emploient la fonction d'activation sans fil de l'aspirateur avec leurs outils.	Placez le bouton d'activation sans fil des autres outils sur Arrêt ou annulez l'enregistrement de l'outil des autres outils.
Impossible d'effacer tous les enregistrements d'outils dans l'aspirateur.	Pression sur le bouton sans fil sur l'outil.	Appuyez sur le bouton sans fil de l'aspirateur pour effacer tous les enregistrements d'outils.
	Le bouton de veille de l'aspirateur n'est pas placé sur « AUTO ».	Placez le bouton de veille de l'aspirateur sur « AUTO ».
	Le bouton d'activation sans fil n'est pas maintenu enfoncé correctement.	Maintenez enfoncé le bouton d'activation sans fil pendant plus de 6 secondes, puis relâchez-le lorsque le témoin d'activation sans fil clignote en rouge. Maintenez à nouveau enfoncé le bouton d'activation sans fil pendant plus de 6 secondes jusqu'à ce que le bouton d'activation sans fil clignote rapidement en rouge, puis relâchez-le.

ENTRETIEN

⚠ ATTENTION : Assurez-vous toujours que l'appareil est hors tension et que les batteries sont retirées avant d'y effectuer tout travail d'inspection ou d'entretien.

REMARQUE : N'utilisez jamais d'essence, benzène, diluant, alcool ou autre produit similaire. Cela risquerait de provoquer la décoloration, la déformation ou la fissuration de l'outil.

Pour assurer la SÉCURITÉ et la FIABILITÉ du produit, toute réparation, tout travail d'entretien ou de réglage doivent être effectués par un centre d'entretien Makita agréé, avec des pièces de rechange Makita.

Dépose de l'unité de filtre

⚠ ATTENTION : Attendez environ 5 minutes pour que la poussière dans le réservoir se tasse complètement.

⚠ ATTENTION : Faites attention à ne pas laisser la poussière pénétrer dans le couvercle du réservoir lors du retrait de l'unité de filtre.

L'unité de filtre est fixée sur l'unité de la tête. Elle se compose d'une plaque supérieure, de préfiltres, d'amortisseurs et de filtres à poudre.

- Libérez les crochets de verrouillage et soulevez l'unité de la tête hors du réservoir.
- Retirez l'unité de filtre de l'unité de la tête comme illustré sur la figure.

► Fig.35: 1. Loquet 2. Unité de filtre

Retrait du filtre à poudre et du préfiltre

En soulevant le bouton, retirez les filtres de la plaque supérieure.

► Fig.36: 1. Plaque supérieure 2. Filtres 3. Bouton

Pour éviter que des poussières ne flottent dans l'air, il est préférable de retirer les filtres du sac en polyéthylène.

Lorsque vous transportez l'unité de filtre pour la nettoyer, attachez fermement un sac en polyéthylène.

► **Fig.37:** 1. Unité de filtre 2. Sac en polyéthylène

► **Fig.38:** 1. Plaque supérieure 2. Filtres 3. Sac en polyéthylène

Nettoyage du filtre à poudre, du préfiltre et de l'amortisseur

Nettoyez de temps à autre les filtres et l'amortisseur. L'obstruction des filtres et de l'amortisseur peut entraîner des performances d'aspiration médiocres.

Nettoyez régulièrement la poussière accumulée sur les filtres et l'amortisseur.

Lavez à l'occasion le filtre à poudre, le préfiltre et l'amortisseur dans l'eau, rincez-les et séchez-les bien à l'ombre avant de les réutiliser. Ne les lavez jamais dans un lave-linge.

► **Fig.39**

NOTE : Ne frottez pas ni ne grattez le filtre à poudre, le préfiltre ou l'amortisseur avec des objets durs comme une brosse ou une spatule.

NOTE : Les filtres s'usent avec le temps. Il est recommandé d'avoir des filtres de rechange.

Installation du filtre à poudre et du préfiltre

REMARQUE : Le filtre à poudre et le préfiltre peuvent ramasser les poussières sèches et humides. Assurez-vous que les capteurs de niveau d'eau s'activent correctement pour éviter la rupture du filtre à poudre.

Accrochez les bords de l'unité de filtre sur la plaque supérieure, puis abaissez le bouton.

► **Fig.40:** 1. Bord 2. Bouton

REMARQUE : Avant d'utiliser le filtre à poudre, assurez-vous que le préfiltre et l'amortisseur sont toujours utilisés ensemble. Il est interdit d'installer uniquement le filtre à poudre.

Assemblage des filtres

Lorsque vous recevez les filtres séparément, assemblez-les comme illustré sur la figure.

► **Fig.41:** 1. Filtre à poudre 2. Amortisseur 3. Préfiltre

Pose de l'unité de filtre

Après avoir installé les filtres sur la plaque supérieure, accrochez les orifices de l'unité de filtre sur les pièces en U du couvercle intérieur. Puis, verrouillez le loquet comme illustré sur la figure.

► **Fig.42:** 1. Pièce en U 2. Orifice 3. Loquet

Installation d'un filtre à eau

Accessoire en option

REMARQUE : Pour ramasser de la poussière humide, assurez-vous que les capteurs de niveau d'eau s'activent correctement.

REMARQUE : N'utilisez pas le préfiltre et l'amortisseur lors de l'utilisation du filtre à eau.

Pour ramasser uniquement l'eau ou les poussières humides, mieux vaut utiliser le filtre à eau que le filtre à poudre et le préfiltre.

Lors de la pose du filtre à eau, montez-le sur la plaque supérieure de la même manière que le filtre à poudre et le préfiltre.

► **Fig.43**

NOTE : Il est recommandé d'utiliser le filtre à eau lorsque vous devez ramasser de manière répétée une grande quantité d'eau. Autrement, la capacité d'aspiration risque d'être réduite avec le filtre à poudre et le préfiltre.

Nettoyage des capteurs de niveau d'eau

Les capteurs de niveau d'eau détectent le liquide lorsque le réservoir est saturé de liquide. Nettoyez les capteurs de niveau d'eau avec un chiffon doux de temps à autre lors du remplacement des filtres.

► **Fig.44:** 1. Capteur de niveau d'eau

Rangement des accessoires

Les accessoires et fixations non utilisés, tels que les suceurs et les tubes, peuvent être rangés en les accrochant sur le crochet à l'arrière de l'aspirateur.

► **Fig.45:** 1. Accessoire et fixation non utilisés

Les tubes (avec un frein en option installé) peuvent être placés dans le porte-tube lorsque vous n'utilisez pas l'aspirateur pendant un court instant.

► **Fig.46:** 1. Frein (accessoire en option) 2. Porte-tube

Un tuyau peut être enroulé et rangé autour du logement ou de la poignée de l'aspirateur en grandes boucles. Attachez ses deux extrémités ensemble pour former des boucles et accrochez les boucles sur la poignée relevée. Vous pouvez également maintenir son extrémité souche installée dans l'entrée du tuyau et accrocher les boucles sur le crochet multiple avec l'extrémité libre attachée.

► **Fig.47**

► **Fig.48**

ACCESSOIRES EN OPTION

⚠ ATTENTION : Ces accessoires ou pièces complémentaires sont recommandés pour l'utilisation avec l'outil Makita spécifié dans ce mode d'emploi. L'utilisation de tout autre accessoire ou pièce complémentaire peut comporter un risque de blessure. N'utilisez les accessoires ou pièces complémentaires qu'aux fins auxquelles ils ont été conçus.

Pour obtenir plus de détails sur ces accessoires, contactez votre centre d'entretien local Makita.

- Tuyau
- Manchons avant (22, 24, 38)
- Tuyau droit
- Suceur plat
- Brosse ronde
- Filtre à poudre M, H (HEPA)
- Amortisseur
- Préfiltre
- Filtre à eau
- Ensemble du suceur
- Tube cintré
- Sac en polyéthylène
- Sac-filtre
- Batterie et chargeur Makita d'origine
- Connecteur sans fil
- MAKPAC

NOTE : Il se peut que certains éléments de la liste soient compris dans l'emballage de l'outil en tant qu'accessoires standard. Ils peuvent varier d'un pays à l'autre.

WARNUNG

- Diese Maschine sollte nicht von Personen (einschließlich Kindern) mit reduzierten körperlichen, sensorischen oder geistigen Fähigkeiten oder mangelnder Erfahrung und Kenntnis benutzt werden.
- Kinder sollten beaufsichtigt werden, um sicherzugehen, dass sie nicht mit dem Sauggerät spielen.
- Angaben zur Typenbezeichnung des Akkus finden Sie im Kapitel „TECHNISCHE DATEN“.
- Angaben zum Demontage- oder Installationsverfahren des Akkus finden Sie im Abschnitt „Installieren oder Demontieren des Akkus“.
- Entfernen Sie den Akku zum Entsorgen vom Werkzeug, und entsorgen Sie ihn an einem sicheren Ort. Befolgen Sie die örtlichen Vorschriften bezüglich der Entsorgung von Akkus.
- Soll das Werkzeug längere Zeit nicht benutzt werden, muss der Akku vom Werkzeug entfernt werden.
- Der Akku darf nicht kurzgeschlossen werden.
- Entsprechende Details der Vorsichtsmaßnahmen während der Benutzerwartung finden Sie im Kapitel „WARTUNG“.

TECHNISCHE DATEN

Modell:		VC007GL
Maximales Luftvolumen am Ende des Schlauchs	Mit Schlauch BL4050F, ø28 mm x 3,5 m	2,0 m ³ /min
	Mit Schlauch BL4050F, ø38 mm x 2,5 m	3,7 m ³ /min
Maximales Luftvolumen an der Turbine (mit BL4050F)		4,9 m ³ /min
Unterdruck (mit BL4050F)		18 kPa
Rückgewinnbare Kapazität	Staub	40 L
	Wasser	30 L
Abmessungen (L x B x H)		586 mm x 385 mm x 598 mm
Nennspannung		Gleichstrom 72 V - 80 V max.
Nettogewicht		18,3 - 20,7 kg
Schutzgrad		IPX4

- Wir behalten uns vor, Änderungen der technischen Daten im Zuge der Entwicklung und des technischen Fortschritts ohne vorherige Ankündigung vorzunehmen.
- Die technischen Daten können von Land zu Land unterschiedlich sein.
- Das Gewicht schließt keine Zubehörteile, aber Akkus ein. Das niedrigste und höchste Kombinationsgewicht des Gerätes und der Akkus sind in der Tabelle angegeben.

Zutreffende Akkus und Ladegeräte

Akku	BL4020 / BL4025 / BL4040* / BL4050F* / BL4080F* * : Empfohlener Akku
Ladegerät	DC40RA / DC40RB / DC40RC / DC40WA / BCC01 / BCC02

- Einige der oben aufgelisteten Akkus und Ladegeräte sind je nach Ihrem Wohngebiet eventuell nicht erhältlich.

⚠️ WARNUNG: Verwenden Sie nur die oben aufgeführten Akkus und Ladegeräte. Bei Verwendung irgendwelcher anderer Akkus und Ladegeräte besteht Verletzungs- und/oder Brandgefahr.

Symbole

Nachfolgend werden Symbole beschrieben, die für das Gerät verwendet werden können. Machen Sie sich unbedingt vor der Benutzung mit ihrer Bedeutung vertraut.



Betriebsanleitung lesen.



Besondere Umsicht und Aufmerksamkeit erforderlich.



Warnung! Der Staubsauger kann gefährlichen Staub enthalten.



Stellen Sie sich niemals auf den Staubsauger.



Legen Sie niemals Gegenstände, die schwerer als 20 kg (44 lbs) sind, auf das Sauggerät.



Staubklasse L (leicht). Die Staubsauger sind in der Lage, Staub der Staubklasse L aufzusaugen. Befolgen Sie die Vorschriften Ihres Landes in Bezug auf Stäube sowie Sicherheit und Gesundheitsschutz am Arbeitsplatz.



Nur für EU-Länder
Aufgrund des Vorhandenseins gefährlicher Komponenten in der Ausrüstung können Elektro- und Elektronik-Altgeräte, Akkumulatoren und Batterien sich negativ auf die Umwelt und die menschliche Gesundheit auswirken.
Entsorgen Sie Elektro- und Elektronikgeräte oder Batterien nicht mit dem Hausmüll!
In Übereinstimmung mit der Europäischen Richtlinie über Elektro- und Elektronik-Altgeräte, Akkumulatoren und Batterien, verbrauchte Akkumulatoren und Batterien sowie ihrer Anpassung an nationales Recht sollten Elektro-Altgeräte, Batterien und Akkumulatoren gemäß den Umweltschutzbestimmungen getrennt gelagert und zu einer getrennten Sammelstelle für Siedlungsabfälle geliefert werden.
Dies wird durch das am Gerät angebrachte Symbol der durchgestrichenen Abfalltonne auf Rädern angezeigt.

Vorgesehene Verwendung

Das Gerät ist für das Absaugen von Nass- und Trockenstaub vorgesehen. Das Gerät eignet sich für kommerziellen Einsatz, z. B. in Hotels, Schulen, Krankenhäusern, Fabriken, Läden, Büros und Mietunternehmen.

Geräusch

Typischer A-bewerteter Geräuschpegel ermittelt gemäß EN60335-2-69:

Schalldruckpegel (L_{pA}): 70 dB (A) oder weniger
Messunsicherheit (K): 2,5 dB (A)

Der Geräuschpegel kann während des Betriebs 80 dB (A) überschreiten.

HINWEIS: Der (Die) angegebene(n) Schallemissionswert(e) wurde(n) im Einklang mit der Standardprüfmethode gemessen und kann (können) für den Vergleich zwischen Werkzeugen herangezogen werden.

HINWEIS: Der (Die) angegebene(n) Schallemissionswert(e) kann (können) auch für eine Vorbewertung des Gefährdungsgrads verwendet werden.

⚠️ WARNUNG: Einen Gehörschutz tragen.

⚠️ WARNUNG: Die Schallemission während der tatsächlichen Benutzung des Elektrowerkzeugs kann je nach der Benutzungsweise des Werkzeugs, und speziell je nach der Art des bearbeiteten Werkstücks, von dem (den) angegebenen Wert(en) abweichen.

⚠️ WARNUNG: Identifizieren Sie Sicherheitsmaßnahmen zum Schutz des Benutzers anhand einer Schätzung des Gefährdungsgrads unter den tatsächlichen Benutzungsbedingungen (unter Berücksichtigung aller Phasen des Arbeitszyklus, wie z. B. Ausschalt- und Leerlaufzeiten des Werkzeugs zusätzlich zur Betriebszeit).

Schwingungen

Schwingungsgesamtwert (Drei-Achsen-Vektorsumme) ermittelt gemäß EN60335-2-69:

Schwingungsemission ($a_{h,M}$): 2,5 m/s^2 oder weniger
Messunsicherheit (K): 1,5 m/s^2

HINWEIS: Der (Die) angegebene(n) Vibrationsgesamtwert(e) wurde(n) im Einklang mit der Standardprüfmethode gemessen und kann (können) für den Vergleich zwischen Werkzeugen herangezogen werden.

HINWEIS: Der (Die) angegebene(n) Vibrationsgesamtwert(e) kann (können) auch für eine Vorbewertung des Gefährdungsgrads verwendet werden.

⚠️ WARNUNG: Die Vibrationsemission während der tatsächlichen Benutzung des Elektrowerkzeugs kann je nach der Benutzungsweise des Werkzeugs, und speziell je nach der Art des bearbeiteten Werkstücks, von dem (den) angegebenen Emissionswert(en) abweichen.

⚠️ WARNUNG: Identifizieren Sie Sicherheitsmaßnahmen zum Schutz des Benutzers anhand einer Schätzung des Gefährdungsgrads unter den tatsächlichen Benutzungsbedingungen (unter Berücksichtigung aller Phasen des Arbeitszyklus, wie z. B. Ausschalt- und Leerlaufzeiten des Werkzeugs zusätzlich zur Betriebszeit).

Konformitätserklärungen

Nur für europäische Länder

Die Konformitätserklärungen sind in Anhang A dieser Betriebsanleitung enthalten.

SICHERHEITSWARNUNGEN

Sicherheitswarnungen für Akku-Sauggerät

⚠️ WARNUNG: WICHTIG! Alle Sicherheitswarnungen und Anweisungen **VOR GEBRAUCH AUFMERKSAM LESEN.** Eine Missachtung der Warnungen und Anweisungen kann zu einem elektrischen Schlag, Brand und/oder schweren Verletzungen führen.

1. Stellen Sie vor dem Gebrauch sicher, dass dieses Sauggerät nur von Personen benutzt wird, die im Gebrauch dieses Sauggerätes hinreichend unterrichtet worden sind.
2. Vor dem Gebrauch sollten Bediener Informationen, Anweisungen und Schulung im Gebrauch der Maschine und der Substanzen, für die sie zu benutzen ist, einschließlich der sicheren Methode zur Entnahme und Entsorgung des aufgesammelten Materials, erhalten.
3. Falls Schaum/Flüssigkeit herauskommt, schalten Sie das Gerät sofort aus.
4. Reinigen Sie die Wasserstand-Begrenzungsvorrichtung regelmäßig , und untersuchen Sie sie auf Anzeichen von Beschädigung.
5. Stellen Sie vor dem Gebrauch immer sicher, dass die Filter korrekt installiert sind. Benutzen Sie das Sauggerät nicht ohne eingesetzte Filter. Ersetzen Sie einen beschädigten Filter unverzüglich. Es wird empfohlen, einige Ersatzteile bereitzuhalten, da Filter Verbrauchsmaterial sind.
6. **UNBEABSICHTIGTES EINSCHALTEN VERMEIDEN.** Vergewissern Sie sich, dass der Schalter ausgeschaltet ist, wenn Sie einen oder mehrere Akku(s) einsetzen.
7. Versuchen Sie nicht, brennbare Materialien, Feuerwerk, brennende Zigaretten, heiße Asche, heiße Metallspäne und scharfe Gegenstände, wie etwa Rasierklingen, Nadeln, Glasscherben oder dergleichen aufzusaugen.
8. **BENUTZEN SIE DAS SAUGGERÄT NIEMALS IN DER NÄHE VON BENZIN, GAS, LACK, KLEBSTOFFEN ODER ANDEREN HOCH EXPLOSIVEN SUBSTANZEN.** Der Schalter erzeugt Funken beim Ein- und Ausschalten. Ebenso der Motorkollektor während des Betriebs. Es kann zu einer gefährlichen Explosion kommen.
9. Saugen Sie niemals giftige, krebserregende, brennbare oder andere Gefahrstoffe wie Asbest, Arsen, Barium, Beryllium, Blei, Pestizide oder sonstige gesundheitsgefährdende Materialien auf.
10. Stellen Sie das Sauggerät immer auf eine horizontale und ebene Fläche, um zu verhindern, dass es herunterfällt oder sich unbeabsichtigt bewegt.
11. Benutzen Sie das Sauggerät niemals im Freien bei Regen.
12. Für Finnland: Diese Maschine darf nicht im Freien bei niedrigen Temperaturen benutzt werden.
13. Benutzen Sie das Sauggerät nicht in der Nähe von Wärmequellen (Öfen usw.).
14. Wird die Abluft in den Raum zurückgeleitet, muss für eine angemessene Luftwechselrate im Raum gesorgt werden. Bezugnahme auf nationale Vorschriften ist notwendig.
15. **Blockieren Sie nicht den Saugeinlass/den Gebläseauslass/die Kühlluftöffnungen.** Diese Öffnungen gestatten eine Kühlung des Motors. Blockierung ist sorgfältig zu vermeiden, weil sonst der Motor wegen mangelnder Belüftung überhitzt.
16. Achten Sie stets auf sicheren Stand und gute Balance.
17. Vermeiden Sie Knicken, Ziehen oder Zertreten des Schlauchs.
18. Stellen Sie das Sauggerät sofort ab, wenn Sie während des Betriebs eine Leistungsver schlechterung oder etwas Ungewöhnliches bemerken.
19. **AKKU(S) ENTNEHMEN.** Bei Nichtgebrauch, vor der Wartung und beim Wechseln von Zubehör.
20. Reinigen und warten Sie das Sauggerät sofort nach jedem Gebrauch, um es in tadellosem Betriebszustand zu halten.
21. **SAUGGERÄT SORGFÄLTIG WARTEN.** Halten Sie das Sauggerät für bessere und sicherere Leistung sauber. Befolgen Sie die Anweisungen zum Auswechseln von Zubehör. Halten Sie die Handgriffe trocken, sauber und frei von Öl und Fett.
22. **GERÄT AUF BESCHÄDIGTE TEILE ÜBERPRÜFEN.** Bevor Sie das Sauggerät weiter benutzen, sollten Sie beschädigte Schutzvorrichtungen und Teile sorgfältig auf ihre Betriebsfähigkeit und Funktionstüchtigkeit hin überprüfen. Überprüfen Sie das Gerät auf Ausrichtung und Klemmen beweglicher Teile, Beschädigung von Teilen, Befestigungszustand und sonstige Mängel von Teilen, die seinen Betrieb beeinträchtigen können. Beschädigte Schutzvorrichtungen oder Teile sollten von einem autorisierten Service-Center ordnungsgemäß repariert oder ausgewechselt werden, wenn nicht anders in dieser Bedienungsanleitung angegeben. Lassen Sie defekte Schalter von einem autorisierten Service-Center auswechseln. Benutzen Sie das Sauggerät nicht, wenn es sich nicht mit dem Schalter ein- und ausschalten lässt.
23. Für Benutzerwartung muss die Maschine zerlegt, gereinigt und gewartet werden, soweit dies einigermaßen praktikabel ist, ohne ein Risiko für das Wartungspersonal und andere Personen zu verursachen.
24. Die Maschine ist mindestens einmal jährlich vom Hersteller oder einer unterwiesenen Person einer technischen Untersuchung zu

- unterziehen, die z. B. aus der Überprüfung der Filter auf Beschädigung, der Luftdichtigkeit der Maschine und der einwandfreien Funktion des Steuermechanismus besteht.
25. Wenn Wartungs- oder Reparaturarbeiten ausgeführt werden, sind alle verunreinigten Artikel, die nicht zufriedenstellend gereinigt werden können, zu entsorgen; solche Artikel sind in undurchlässigen Beuteln im Einklang mit der geltenden Verordnung für die Entsorgung solcher Abfälle zu entsorgen.
 26. ERSATZTEILE. Verwenden Sie bei der Wartung nur identische Ersatzteile.
 27. UNBENUTZTES SAUGGERÄT LAGERN. Bei Nichtgebrauch sollte das Sauggerät in einem Innenraum gelagert werden.
 28. Nassfilter und das Innere des Flüssigkeitsbehälters müssen vor der Lagerung getrocknet werden.
 29. Behandeln Sie Ihr Sauggerät mit Sorgfalt. Grobe Behandlung kann eine Beschädigung des Sauggerätes verursachen, selbst wenn es noch so robust gebaut ist.
 30. Versuchen Sie nicht, die Außen- oder Innenseite mit Waschbenzin, Verdünnern oder Reinigungsmitteln zu reinigen. Dadurch können Risse und Verfärbung verursacht werden.
 31. Benutzen Sie das Sauggerät nicht in einem geschlossenen Raum, wo brennbare, explosive oder giftige Dämpfe von Lack auf Ölbasis, Lackverdünner, Benzin, bestimmten Mottenschutzmitteln usw. abgegeben werden, oder in Bereichen, wo brennbarer Staub vorhanden ist.
 32. Betreiben Sie weder dieses noch andere Werkzeuge unter dem Einfluss von Medikamenten oder Alkohol.
 33. Als Grundregel der Sicherheit sollten Sie stets eine Schutzbrille oder eine Sicherheitsbrille mit Seitenschützern verwenden.
 34. Verwenden Sie eine Staubmaske bei staubigen Arbeitsbedingungen.
 35. Diese Maschine sollte nicht von Personen (einschließlich Kindern) mit reduzierten körperlichen, sensorischen oder geistigen Fähigkeiten und mangelnder Erfahrung und Kenntnis benutzt werden.
 36. Kinder sollten beaufsichtigt werden, um sicherzugehen, dass sie nicht mit dem Sauggerät spielen.
 37. Fassen Sie Akku(s) und den Staubsauger niemals mit nassen Händen an.
 38. Lassen Sie bei der Reinigung auf Treppen äußerste Vorsicht walten.
 39. Benutzen Sie das Sauggerät nicht als Hocker oder Werkbank. Andernfalls kann die Maschine herunterfallen und Personenschäden verursachen.

Gebrauch und Pflege von Akkuwerkzeugen

1. **Laden Sie den Akku nur mit dem vom Hersteller vorgeschriebenen Ladegerät.** Ein Ladegerät, das für einen Akkutyp geeignet ist, kann eine Brandgefahr darstellen, wenn es mit

einem anderen Akku verwendet wird.

2. **Benutzen Sie Elektrowerkzeuge nur mit den ausdrücklich vorgeschriebenen Akkus.** Bei Verwendung irgendwelcher anderer Akkus besteht Verletzungs- und Brandgefahr.
3. **Halten Sie den Akku bei Nichtgebrauch von anderen Metallgegenständen, wie z. B. Büroklammern, Münzen, Schlüsseln, Nägeln, Schrauben oder anderen kleinen Metallgegenständen, fern, welche die Kontakte kurzschließen können.** Kurzschließen der Akkukontakte kann Verbrennungen oder einen Brand verursachen.
4. **Bei Missbrauch kann Flüssigkeit aus dem Akku austreten. Vermeiden Sie Kontakt mit dieser Flüssigkeit. Falls Sie versehentlich mit der Flüssigkeit in Berührung kommen, spülen Sie die betroffenen Stellen mit Wasser ab. Falls die Flüssigkeit in die Augen gelangt, suchen Sie zusätzlich ärztliche Hilfe auf.** Die vom Akku austretende Flüssigkeit kann Hautreizungen oder Verätzungen verursachen.
5. **Verwenden Sie keinen Akku und auch kein Werkzeug, der (das) beschädigt oder modifiziert ist.** Beschädigte oder modifizierte Akkus können unvorhersehbares Verhalten zeigen, das zu einem Brand, einer Explosion oder Verletzungsgefahr führen kann.
6. **Setzen Sie einen Akku oder ein Werkzeug nicht Feuer oder übermäßigen Temperaturen aus.** Bei Einwirkung von Feuer oder Temperaturen über 130 °C kann es zu einer Explosion kommen.
7. **Befolgen Sie alle Ladeanweisungen, und laden Sie den Akku bzw. das Werkzeug nicht außerhalb des in den Anweisungen angegebenen Temperaturbereichs.** Wird der Ladevorgang unsachgemäß oder bei Temperaturen außerhalb des angegebenen Bereichs durchgeführt, kann es zu einer Beschädigung des Akkus und erhöhter Brandgefahr kommen.

DIESE ANWEISUNGEN AUFBEWAHREN.

⚠️ WARNUNG: Lassen Sie sich NICHT durch Bequemlichkeit oder Vertrautheit mit dem Produkt (durch wiederholten Gebrauch erworben) von der strikten Einhaltung der Sicherheitsregeln für das vorliegende Produkt abhalten. **MISSBRAUCH** oder Missachtung der Sicherheitsvorschriften in dieser Anleitung können schwere Verletzungen verursachen.

Wichtige Sicherheitsanweisungen für Akku

1. **Lesen Sie vor der Benutzung des Akkus alle Anweisungen und Warnhinweise, die an (1) Ladegerät, (2) Akku und (3) Akkuwerkzeug angebracht sind.**
2. **Unterlassen Sie Zerlegen oder Manipulieren des Akkus.** Es kann sonst zu einem Brand, übermäßiger Hitzeentwicklung oder einer Explosion kommen.
3. **Falls die Betriebszeit beträchtlich kürzer**

geworden ist, stellen Sie den Betrieb sofort ein. Anderenfalls besteht die Gefahr von Überhitzung, möglichen Verbrennungen und sogar einer Explosion.

4. Falls Elektrolyt in Ihre Augen gelangt, waschen Sie sie mit sauberem Wasser aus, und begeben Sie sich unverzüglich in ärztliche Behandlung. Anderenfalls können Sie Ihre Sehkraft verlieren.
5. Der Akku darf nicht kurzgeschlossen werden:
 - (1) Die Kontakte dürfen nicht mit leitfähigem Material berührt werden.
 - (2) Lagern Sie den Akku nicht in einem Behälter zusammen mit anderen Metallgegenständen, wie z. B. Nägel, Münzen usw.
 - (3) Setzen Sie den Akku weder Wasser noch Regen aus.Ein Kurzschluss des Akkus verursacht starken Stromfluss, der Überhitzung, mögliche Verbrennungen und einen Defekt zur Folge haben kann.
6. Lagern und benutzen Sie das Werkzeug und den Akku nicht an Orten, an denen die Temperatur 50 °C erreichen oder überschreiten kann.
7. Versuchen Sie niemals, den Akku zu verbrennen, selbst wenn er stark beschädigt oder vollkommen verbraucht ist. Der Akku kann im Feuer explodieren.
8. Unterlassen Sie Nageln, Schneiden, Zerquetschen, Werfen, Fallenlassen des Akkus oder Schlagen des Akkus mit einem harten Gegenstand. Eine solche Handlung kann zu einem Brand, übermäßiger Hitzeentwicklung oder einer Explosion führen.
9. Benutzen Sie keine beschädigten Akkus.
10. Die enthaltenen Lithium-Ionen-Akkus unterliegen den Anforderungen der Gefahrgut-Gesetzgebung.

Für kommerzielle Transporte, z. B. durch Dritte oder Spediteure, müssen besondere Anforderungen zu Verpackung und Etikettierung beachtet werden.

Zur Vorbereitung des zu transportierenden Artikels ist eine Beratung durch einen Experten für Gefahrgut erforderlich. Bitte beachten Sie möglicherweise ausführlichere nationale Vorschriften. Überkleben oder verdecken Sie offene Kontakte, und verpacken Sie den Akku so, dass er sich in der Verpackung nicht umher bewegen kann.
11. Entfernen Sie den Akku zum Entsorgen vom Werkzeug, und entsorgen Sie ihn an einem sicheren Ort. Befolgen Sie die örtlichen Vorschriften bezüglich der Entsorgung von Akkus.
12. Verwenden Sie die Akkus nur mit den von Makita angegebenen Produkten. Das Einsetzen der Akkus in nicht konforme Produkte kann zu einem Brand, übermäßiger Hitzebildung, einer Explosion oder Auslaufen von Elektrolyt führen.
13. Soll das Werkzeug längere Zeit nicht benutzt werden, muss der Akku vom Werkzeug entfernt werden.
14. Bei und nach dem Gebrauch kann der Akku

heiß werden, was Verbrennungen oder Niedertemperaturverbrennungen verursachen kann. Beachten Sie die Handhabung von heißen Akkus.

15. Berühren Sie nicht den Anschlusskontakt des Werkzeugs unmittelbar nach dem Gebrauch, da er heiß genug werden kann, um Verbrennungen zu verursachen.
16. Achten Sie darauf, dass sich keine Späne, Staub oder Schmutz in den Anschlusskontakten, Löchern und Nuten des Akkus absetzen. Es könnte sonst zu Erhitzung, Brandauslösung, Bersten und Funktionsstörungen des Werkzeugs oder des Akkus kommen, was zu Verbrennungen oder Personenschäden führen kann.
17. Wenn das Werkzeug den Einsatz in der Nähe einer Hochspannungs-Stromleitung nicht unterstützt, benutzen Sie den Akku nicht in der Nähe einer Hochspannungs-Stromleitung. Dies kann zu einer Funktionsstörung oder Betriebsstörung des Werkzeugs oder des Akkus führen.
18. Halten Sie die Batterie von Kindern fern.

DIESE ANWEISUNGEN AUFBEWAHREN.

⚠VORSICHT: Verwenden Sie nur Original-Makita-Akkus. Die Verwendung von Nicht-Original-Makita-Akkus oder von Akkus, die abgeändert worden sind, kann zum Bersten des Akkus und daraus resultierenden Bränden, Personenschäden und Beschädigung führen. Außerdem wird dadurch die Makita-Garantie für das Makita-Werkzeug und -Ladegerät ungültig.

Hinweise zur Aufrechterhaltung der maximalen Akku-Nutzungsdauer

1. Laden Sie den Akku, bevor er vollkommen erschöpft ist. Schalten Sie das Werkzeug stets aus, und laden Sie den Akku, wenn Sie ein Nachlassen der Werkzeugleistung feststellen.
2. Unterlassen Sie erneutes Laden eines voll aufgeladenen Akkus. Überladen führt zu einer Verkürzung der Nutzungsdauer des Akkus.
3. Laden Sie den Akku bei Raumtemperatur zwischen 10 – 40 °C. Lassen Sie einen heißen Akku abkühlen, bevor Sie ihn laden.
4. Wenn Sie den Akku nicht benutzen, nehmen Sie ihn vom Werkzeug oder Ladegerät ab.
5. Der Akku muss geladen werden, wenn er lange Zeit (länger als sechs Monate) nicht benutzt wird.

Wichtige Sicherheitsanweisungen für Funk-Adapter

1. Öffnen Sie den Deckel des Steckplatzes niemals selbst, wenn Sie den Funk-Adapter installiert haben.
2. Unterlassen Sie Zerlegen oder Manipulieren des Funk-Adapters.

3. Halten Sie den Funk-Adapter von kleinen Kindern fern. Suchen Sie bei versehentlichem Verschlucken sofort ärztliche Behandlung auf.
4. Benutzen Sie den Funk-Adapter nur mit Makita-Werkzeugen.
5. Setzen Sie den Funk-Adapter keinem Regen oder Nässe aus.
6. Benutzen Sie den Funk-Adapter nicht an Orten, wo die Temperatur 50 °C überschreitet.
7. Betreiben Sie den Funk-Adapter nicht an Orten, in deren Nähe sich medizinische Geräte, wie z. B. Herzschrittmacher, befinden.
8. Betreiben Sie den Funk-Adapter nicht an Orten, in deren Nähe sich automatisierte Geräte befinden. Bei Betrieb kann in den automatisierten Geräten eine Funktionsstörung oder ein Fehler entstehen.
9. Betreiben Sie den Funk-Adapter nicht an Orten unter hohen Temperaturen oder an Orten, wo statische Elektrizität oder elektrisches Rauschen erzeugt werden könnte.
10. Der Funk-Adapter kann elektromagnetische Felder (EMF) erzeugen, die aber für den Benutzer nicht gesundheitsschädlich sind.
11. Der Funk-Adapter ist ein Präzisionsinstrument. Achten Sie darauf, dass der Funk-Adapter nicht fallen gelassen oder Stößen ausgesetzt wird.
12. Vermeiden Sie Berühren der Kontakte des Funk-Adapters mit bloßen Händen oder Metallgegenständen.
13. Entfernen Sie stets den Akku vom Produkt, bevor Sie den Funk-Adapter installieren.
14. Öffnen Sie den Deckel des Steckplatzes nicht an Orten, wo Staub und Wasser in den Steckplatz eindringen können. Halten Sie den Einlass des Steckplatzes stets sauber.
15. Führen Sie den Funk-Adapter stets in der korrekten Richtung ein.
16. Drücken Sie nicht zu fest und/oder mit einem scharfkantigen Gegenstand auf die Funk-Aktivierungstaste des Funk-Adapters.
17. Halten Sie den Deckel des Steckplatzes beim Betrieb immer geschlossen.
18. Entfernen Sie den Funk-Adapter nicht aus dem Steckplatz, während das Werkzeug mit Strom versorgt wird. Anderenfalls kann eine Funktionsstörung des Funk-Adapters verursacht werden.
19. Entfernen Sie nicht den Aufkleber vom Funk-Adapter.
20. Kleben Sie keinen anderen Aufkleber auf den Funk-Adapter.
21. Lassen Sie den Funk-Adapter nicht an einem Ort liegen, wo statische Elektrizität oder elektrisches Rauschen erzeugt werden könnte.
22. Lassen Sie den Funk-Adapter nicht an einem Ort liegen, der starker Hitze ausgesetzt ist, wie z. B. in einem in praller Sonne geparkten Auto.
23. Lassen Sie den Funk-Adapter nicht an einem Ort liegen, der Staub oder Puder aufweist, oder an dem ein korrosives Gas erzeugt werden könnte.
24. Plötzliche Temperaturschwankungen können den Funk-Adapter betauen. Benutzen Sie den Funk-Adapter nicht eher, bis der Tau vollständig getrocknet ist.
25. Wischen Sie den Funk-Adapter zum Reinigen sachte mit einem trockenen, weichen Tuch ab. Verwenden Sie kein Waschbenzin, kein leitfähiges Fett, keinen Verdünnern oder dergleichen.
26. Bewahren Sie den Funk-Adapter zur Lagerung in der mitgelieferten Schachtel oder einem statikfreien Behälter auf.
27. Führen Sie keine anderen Geräte außer dem Makita-Funk-Adapter in den Steckplatz des Werkzeugs ein.
28. Benutzen Sie das Werkzeug nicht, wenn der Deckel des Steckplatzes beschädigt ist. Wasser, Staub und Schmutz, die in den Steckplatz eindringen, können eine Funktionsstörung verursachen.
29. Ziehen und/oder verdrehen Sie den Deckel des Steckplatzes nicht mehr als nötig. Bringen Sie den Deckel wieder an, falls er sich vom Werkzeug löst.
30. Ersetzen Sie den Deckel des Steckplatzes, falls er verloren geht oder beschädigt wird.

BEWAHREN SIE DIESE ANLEITUNG AUF.

FUNKTIONSBE-SCHREIBUNG

⚠VORSICHT: Vergewissern Sie sich vor der Durchführung von Einstellungen oder Funktionsprüfungen des Gerätes stets, dass das Gerät ausgeschaltet ist und die Akkus abgenommen sind.

Anbringen und Abnehmen des Akkus

⚠VORSICHT: Schalten Sie das Werkzeug stets aus, bevor Sie den Akku anbringen oder abnehmen.

⚠VORSICHT: Halten Sie das Sauggerät und den Akku beim Anbringen oder Abnehmen des Akkus sicher fest. Wenn Sie das Sauggerät und den Akku nicht sicher festhalten, können sie Ihnen aus der Hand rutschen, was zu einer Beschädigung des Sauggerätes und des Akkus und zu Personenschäden führen kann.

⚠VORSICHT: Achten Sie beim Öffnen oder Schließen der Akkuabdeckung darauf, dass Sie sich nicht die Finger klemmen. Anderenfalls kann es zu Personenschäden kommen.

Zum Einsetzen des Akkus entriegeln Sie zuerst den Verschluss, und öffnen Sie dann die Akkuabdeckung. Setzen Sie danach den Akku ein.

► **Abb.1:** 1. Verschluss 2. Akkuabdeckung

Richten Sie die Führungsfeder des Akkus auf die

Führungsnut im Gehäuse aus, und schieben Sie den Akku hinein. Schieben Sie ihn vollständig ein, bis er mit einem hörbaren Klicken einrastet. Verriegeln Sie dann die Akkuabdeckung.

► **Abb.2:** 1. Akku 2. Knopf

Ziehen Sie den Akku zum Abnehmen vom Werkzeug ab, während Sie den Knopf an der Vorderseite des Akkus verschieben.

⚠ VORSICHT: Installieren Sie den Akku immer vollständig. Anderenfalls kann er versehentlich aus dem Sauggerät herausfallen und Sie oder umstehende Personen verletzen.

⚠ VORSICHT: Unterlassen Sie Gewaltanwendung beim Anbringen des Akkus. Falls der Akku nicht reibungslos hineingleitet, ist er nicht richtig ausgerichtet.

HINWEIS: Der Staubsauger funktioniert nicht mit nur einem Akku.

Anzeigen der Akku-Restkapazität

Drücken Sie die Prüftaste am Akku, um die Akku-Restkapazität anzuzeigen. Die Anzeigelampen leuchten wenige Sekunden lang auf.

► **Abb.3:** 1. Anzeigelampen 2. Prüftaste

Anzeigelampen			Restkapazität
Erleuchtet	Aus	Blinkend	
			75% bis 100%
			50% bis 75%
			25% bis 50%
			0% bis 25%
			Den Akku aufladen.
			Möglicherweise liegt eine Funktionsstörung im Akku vor.

HINWEIS: Abhängig von den Benutzungsbedingungen und der Umgebungstemperatur kann die Anzeige geringfügig von der tatsächlichen Kapazität abweichen.

HINWEIS: Die erste (äußerste linke) Anzeigelampe blinkt, wenn das Akku-Schutzsystem aktiv ist.

Akku-Anzeigen am Bedienfeld

Die Akku-Restkapazität kann jederzeit auf dem Bedienfeld abgelesen werden. Wenn Sie die Prüftaste drücken, zeigen die linke und rechte Anzeige den Ladezustand des Akkus entsprechend an.

► **Abb.4:** 1. Linke Akku-Anzeige 2. Rechte Akku-Anzeige 3. Prüftaste

► **Abb.5**

Status der Akku-Anzeige			Akku-Restkapazität
Ein	Aus	Blinkend	
			50% bis 100%
			20% bis 50%
			0% bis 20%
			Akku aufladen
			Kein Akku eingesetzt

HINWEIS: Die Akku-Anzeige funktioniert, wenn zwei Akkus eingelegt sind.

HINWEIS: Wenn das Sauggerät startet, werden auch die Akku-Anzeigen aktiviert.

Geräte-/Akku-Schutzsystem

Das Gerät ist mit einem Geräte-/Akku-Schutzsystem ausgestattet. Dieses System schaltet die Stromversorgung des Motors automatisch ab, um die Lebensdauer von Gerät und Akku zu verlängern. Das Gerät bleibt während des Betriebs automatisch stehen, wenn das Gerät oder der Akku einer der folgenden Bedingungen unterliegt:

Überlastschutz

Wird das Gerät/der Akku in einer Weise betrieben, die eine ungewöhnlich hohe Stromaufnahme bewirkt, bleibt das Gerät automatisch stehen. Schalten Sie in dieser Situation das Gerät aus, und brechen Sie die Anwendung ab, die eine Überlastung des Gerätes verursacht hat. Schalten Sie dann das Gerät wieder ein, um es neu zu starten.

Überhitzungsschutz

Ein	Blinkend

Wenn das Gerät überhitzt ist, bleibt es automatisch stehen, und die Anzeigen für den linken und rechten Akku blinken. Lassen Sie das Gerät in dieser Situation abkühlen, und reinigen Sie die Filter, bevor Sie das Gerät wieder einschalten.

Ein	Blinkend

Wenn der Akku überhitzt ist, bleibt das Gerät automatisch stehen, und eine der Anzeigen für einen überhitzten Akku blinkt. Lassen Sie den Akku in dieser Situation abkühlen, bevor Sie das Gerät wieder einschalten.

Überentladungsschutz

Wenn die Akkukapazität niedrig wird, bleibt das Gerät automatisch stehen. Falls das Gerät nicht mit der Schalterbetätigung läuft, nehmen Sie die Akkus aus dem Gerät und laden Sie sie auf.

Schutz gegen andere Ursachen

Das Schutzsystem ist auch für andere Ursachen ausgelegt, die eine Beschädigung des Gerätes verursachen könnten, und ermöglicht, dass das Gerät automatisch stehen bleibt. Führen Sie alle folgenden Schritte aus, um die Ursachen zu beseitigen, wenn das Gerät vorübergehend zum Stillstand gekommen ist oder im Betrieb stehen geblieben ist.

1. Schalten Sie das Gerät aus und dann wieder ein, um es neu zu starten.
2. Laden Sie den/die Akku(s) auf oder tauschen Sie ihn/sie gegen einen aufgeladenen Akku/aufgeladene Akkus aus.
3. Lassen Sie das Gerät und den/die Akku(s) abkühlen.

Falls die Wiederherstellung des Schutzsystems keine Besserung bringt, wenden Sie sich an Ihre lokale Makita-Kundendienststelle.

Schalterfunktion

Einschalten des Sauggerätes

1. Stellen Sie den Bereitschaftsschalter auf die Position „I“ (EIN) oder „AUTO“ (EIN), um das Sauggerät im Bereitschaftsmodus zu halten.
2. Drücken Sie die Ein-Aus-Taste. Um wieder in den Bereitschaftsmodus zu wechseln, drücken Sie erneut die Ein-Aus-Taste.

Ausschalten des Sauggerätes

Führen Sie einen der folgenden Schritte aus.

- Drücken Sie die Ein-Aus-Taste, um das Sauggerät wieder in den Bereitschaftsmodus zu versetzen.
- Stellen Sie den Bereitschaftsschalter auf die Position "O" (AUS).

Einstellen der Saugkraft

Die Saugkraft kann an die jeweils anstehende Arbeit angepasst werden.

- Drehen Sie den Saugkraft-Einstellknopf nach links, um die Saugkraft zu verringern.
- Drehen Sie den Saugkraft-Einstellknopf nach rechts, um die Saugkraft zu erhöhen.

► **Abb.6:** 1. Bereitschaftsschalter 2. Saugkraft-Einstellknopf 3. Ein-Aus-Taste

ANMERKUNG: Stellen Sie den Bereitschaftsschalter immer auf die Seite „O“, wenn Sie das Sauggerät längere Zeit nicht benutzen. Das Sauggerät verbraucht Strom während des Bereitschaftszustands.

Saugstoppautomatik während des Nasssaugbetriebs

⚠️ WARNUNG: Saugen Sie keinen Schaum oder seifige Flüssigkeit auf. Das kann dazu führen, dass Schaum aus dem Luftauslass austritt. Fortgesetzter Betrieb unter solchen Bedingungen kann einen elektrischen Schlag und eine Beschädigung des Sauggerätes verursachen.

Das Sauggerät besitzt einen Mechanismus, der Eindringen von Wasser in den Motor verhindert, wenn mehr als eine bestimmte Wassermenge aufgesaugt wird.

Wenn der Tank mit Flüssigkeit voll ist, bleibt das Sauggerät automatisch stehen. Schalten Sie das Sauggerät aus, und leeren Sie den Tank.

Filterreinigungssystem

Dieses Gerät hat ein Filterreinigungssystem. Während der Benutzung des Gerätes staubt das Filterreinigungssystem die Filter automatisch ab, um zu verhindern, dass die Saugkraft aufgrund von verstopften Filtern nachlässt.

Falls das Gerät eine große Staubmenge auf einmal aufsaugt, kann die Saugkraft nachlassen. In diesem Fall wird eine manuelle Filterreinigung empfohlen.

1. Schalten Sie das Gerät aus.
2. Stellen Sie die Saugleistung auf Maximum und schließen Sie die Saugschlauchöffnung mit Ihrer Handfläche.
3. Schalten Sie das Gerät ein und betreiben Sie es etwa 15 Sekunden lang mit geschlossener Saugschlauchöffnung.

► **Abb.7:** 1. Saugschlauchöffnung

HINWEIS: Die Luftmenge kann sich ändern, während das Filterreinigungssystem aktiviert wird, aber es liegt keine Fehlfunktion vor.

Wasserablass

Wenn der Tank mit Flüssigkeit voll ist, schalten Sie das Sauggerät aus und öffnen Sie die Wasserablasskappe, um den Tank zu entleeren.

► **Abb.8:** 1. Wasserablasskappe

Verriegeln und Entriegeln der Laufrollen

Die vorderen Laufrollen können mit Stopperrn arretiert werden, um das Sauggerät zum Stillstand zu bringen. Senken Sie den Stopperhebel von Hand ab, um die Laufrolle zu arretieren, und heben Sie ihn an, um sie zu lösen.

► **Abb.9:** 1. Laufrolle 2. Stopperhebel 3. Entriegelte Stellung 4. Verriegelte Stellung

HINWEIS: Vergewissern Sie sich vor dem Bewegen des Sauggerätes, dass die Laufrolle entriegelt ist. Bewegen des Sauggerätes mit verriegelter Laufrolle kann eine Beschädigung der Laufrolle verursachen.

Tragehandgriff

⚠ VORSICHT: Heben und tragen Sie das Gerät mit der gebotenen Sorgfalt. Anderenfalls kann es zu Personenschäden oder Beschädigung des Gerätes kommen.

Halten Sie das Sauggerät beim Tragen am Handgriff an der Kopfeinheit. Der Handgriff ist bei Nichtgebrauch an der Kopfeinheit einklappbar.

► **Abb.10**

Falls es schwierig ist, das Gerät allein zu tragen, lassen Sie es von zwei Personen tragen, wie in der Abbildung gezeigt.

► **Abb.11**

► **Abb.12**

MONTAGE

⚠ VORSICHT: Vergewissern Sie sich vor der Ausführung von Arbeiten am Gerät stets, dass das Gerät ausgeschaltet ist und die Akkus abgenommen sind.

⚠ VORSICHT: Tragen Sie während der Montage oder Wartung immer eine Staubmaske.

Installieren und Entsorgen des Filterbeutels

Sonderzubehör

⚠ WARNUNG: Bevor Sie einen Filterbeutel benutzen, vergewissern Sie sich, dass die Filtereinheit zusammen verwendet wird. Wird die Filtereinheit nicht zusammen mit einem Filterbeutel verwendet, können ungewöhnliche Geräusche und Hitze erzeugt werden, was zu einem Brand führen kann.

ANMERKUNG: Saugen Sie niemals Wasser oder andere Flüssigkeiten oder Nassstaub auf, wenn Sie einen Filterbeutel benutzen. Durch Aufsaugen solcher Substanzen kann der Filterbeutel beschädigt werden.

1. Lösen Sie die Verriegelungshaken, und heben Sie die Kopfeinheit vom Tank ab.

► **Abb.13:** 1. Verriegelungshaken

2. Entfalten Sie einen Filterbeutel.

3. Richten Sie die Öffnung des Filterbeutels auf den Staubeinlass des Tanks aus.

4. Schieben Sie den Karton des Filterbeutels auf das Werkzeug, so dass er am Anschlag jenseits des Rastvorsprungs anliegt.

► **Abb.14:** 1. Filterbeutel 2. Kartonöffnung
3. Filterbeutelhalter 4. Staubeinlass
5. Kante

Ziehen Sie beim Entsorgen des Filterbeutels die Kante an der Öffnung des Filterbeutels so, dass die Öffnung

durch ein Papier verschlossen wird.

Installieren des Polyethylenbeutels

Legen Sie einen Polyethylenbeutel über den Tank und schieben Sie eine Seite der Oberkante des Beutels an seinem offenen Ende zwischen die Halterplatte und die Vorderwand des Tanks.

Spreizen Sie dann die anderen oberen Kanten des Beutels nach außen über die oberen Ränder des Tanks. Ein Polyethylenbeutel kann mit einem Filterbeutel verwendet werden.

► **Abb.15:** 1. Halterplatte 2. Vorderwand des Tanks
3. Polyethylenbeutel

HINWEIS: Ein im Fachhandel erhältlicher Polyethylenbeutel kann verwendet werden. Es wird einer empfohlen, dessen Dicke über 0,04 mm und dessen Umfang über 2.000 mm beträgt.

HINWEIS: Bei zu viel Staub reißt der Polyethylenbeutel leicht ein, daher sollte er nicht überfüllt werden. Die Entsorgung des schweren Beutels kann eine Belastung für den menschlichen Körper sein.

Entleeren des Tanks mit Polyethylenbeutel

⚠ WARNUNG: Vergewissern Sie sich vor dem Entleeren des Tanks immer, dass das Sauggerät ausgeschaltet ist und die Akkus abgenommen sind. Anderenfalls kann es zu einem elektrischen Schlag und schweren Personenschäden kommen.

ANMERKUNG: Entleeren Sie den Tank mindestens einmal pro Tag, obwohl dies von der im Tank angesammelten Staubmenge abhängt. Anderenfalls verschlechtert sich die Saugkraft, und der Motor kann beschädigt werden.

ANMERKUNG: Fassen Sie beim Leeren des Tanks nicht an die Verriegelungshaken. Das Anfassen der Verriegelungshaken kann deren Bruch verursachen.

1. Lösen Sie die Verriegelungshaken, und heben Sie die Kopfeinheit vom Tank ab.

2. Nehmen Sie den Polyethylenbeutel aus dem Tank, wobei Sie die Öffnung des Beutels mit der Hand verschließen.

► **Abb.16:** 1. Polyethylenbeutel 2. Tank

HINWEIS: Nehmen Sie den Polyethylenbeutel vorsichtig aus dem Tank, um zu vermeiden, dass er durch die Kanten im Tank zerkratzt und zerrissen wird.

HINWEIS: Entleeren Sie den Polyethylenbeutel, bevor er ganz voll wird. Zu viel Staub im Tank kann Zerreißen des Polyethylenbeutels verursachen.

Installieren des Schlauchs

ANMERKUNG: Biegen Sie den Schlauch niemals gewaltsam, und vermeiden Sie, auf ihn zu treten. Bewegen Sie das Sauggerät niemals durch Ziehen am Schlauch. Gewaltanwendung, Stampfen und Ziehen des Schlauchs können eine Beschädigung oder Verformung des Schlauchs verursachen.

ANMERKUNG: Wenn Sie größere Abfallstücke, wie z. B. Hobelspäne, Betonstaub oder ähnliche größere Abfallstücke aufsaugen, verwenden Sie den Schlauch mit 38 mm Innendurchmesser (Sonderzubehör). Bei Verwendung des Schlauchs mit 28 mm Innendurchmesser (Sonderzubehör) kann es zu Verstopfung und Beschädigung des Schlauchs kommen.

Anschluss an das Sauggerät

Führen Sie das Schlauchende in den Staubeinlass (Schlaucheinlass) des Sauggerätes ein, und drehen Sie es dann im Uhrzeigersinn, bis es einrastet.

► **Abb.17:** 1. Schlauch 2. Staubeinlass (Schlaucheinlass)

Anschluss an Ihre Arbeitsgeräte (länderspezifisch)

Durch Anschließen des Sauggerätes an alle verfügbaren Arbeitsgeräte, die mit dem Sauggerät kompatibel sind, funktioniert es als Staubabsauger für Ihre Elektrowerkzeuge.

Wählen Sie eine der Frontmanschetten oder Verbindungsstücke (Sonderzubehör), die für Ihr Werkzeugmodell am besten geeignet sind. Platzieren Sie die Manschetten bzw. das Verbindungsstück je nach Bedarf zwischen dem vorderen Ende des Sauggeräteschlauchs und einer Staubabsaugöffnung Ihres Werkzeugs.

► **Abb.18:** 1. Frontmanschetten oder Verbindungsstück 2. Sauggeräteschlauch 3. Elektrowerkzeug 4. Sauggerät

Montieren und Demontieren von Sauggeräteaufsätzen

⚠ VORSICHT: Prüfen Sie nach der Anbringung eines Aufsatzes, ob er sicher angebracht ist. Falls der Aufsatz unvollständig angebracht ist, kann er sich lösen und Personenschäden verursachen.

Bei Verwendung des Aufsatzes ohne Verriegelungsfunktion

Sonderzubehör

Setzen Sie einen Aufsatz in den Saugeinlass des Sauggerätes ein, indem Sie ihn einschieben und von Hand festschrauben.

Drehen Sie den Aufsatz mit der Hand, und ziehen Sie ihn nach Gebrauch vom Saugeinlass ab.

► **Abb.19**

Installieren des MAKPAC

Sonderzubehör

⚠ VORSICHT: Stellen oder setzen Sie sich nicht auf die Oberseite des Gerätes. Es kann aufgrund von Instabilität umfallen.

⚠ VORSICHT: Lassen Sie bei der Installation von MAKPAC Vorsicht walten. Anderenfalls kann es zu Personenschäden oder Beschädigung des Gerätes kommen.

⚠ VORSICHT: Wenn ein MAKPAC auf dem Gerät installiert ist, heben Sie das Gerät nicht mit dem Handgriff des MAKPAC an.

⚠ VORSICHT: Wenn Sie das Gerät bewegen, an dem ein MAKPAC installiert ist, schieben Sie nicht das MAKPAC, sondern das Gehäuse des Gerätes. Durch Drücken des MAKPAC können die Klinken brechen, und das MAKPAC kann herunterfallen, was zu Personenschäden führen kann.

Anschließbare und stapelbare MAKPAC-Aufbewahrungsbehälter können oben auf dem Sauggerät installiert werden. Die Behälter sind in vielen Größen und Ausführungen erhältlich, um Ihren Wünschen gerecht zu werden.

1. Klappen Sie die Klinken auf der Oberseite des Sauggerätes aus.

► **Abb.20:** 1. Klinke

2. Montieren Sie die MAKPAC-Behälter oben auf dem Sauggerät, und befestigen Sie sie mit Klinken.

► **Abb.21:** 1. Klinke 2. MAKPAC

Die Maximalwerte für Höhe und Gewicht des zu installierenden MAKPAC betragen 315 mm bzw. 20 kg.

► **Abb.22**

FUNK-AKTIVIERUNGS-FUNKTION

Sonderzubehör

Mit der Funk-Aktivierungsfunktion verfügbare Möglichkeiten

Die Funk-Aktivierungsfunktion ermöglicht sauberen und komfortablen Betrieb. Wenn Sie ein unterstütztes Werkzeug an den Staubsauger anschließen, können Sie den Staubsauger automatisch mit der Schalterbetätigung des Werkzeugs betreiben.

► **Abb.23**

ANMERKUNG: Nehmen Sie unbedingt die Betriebsanleitung des Werkzeugs zur Hand, wenn Sie den Staubsauger mit der Funk-Aktivierungsfunktion benutzen.

ANMERKUNG: Unterlassen Sie Zerlegen oder Manipulieren des Funk-Adapters.

ANMERKUNG: Um zu verhindern, dass Staub in den Schlitz des Funk-Adapters gelangt, schließen Sie stets den Deckel einwandfrei während Betrieb und Lagerung.

ANMERKUNG: Drücken Sie nicht zu fest und/oder mit einem scharfkantigen Gegenstand auf die Funk-Aktivierungstaste.

HINWEIS: Für die Funk-Aktivierung werden Makita-Werkzeuge mit dem Funk-Adapter benötigt.

HINWEIS: Bevor die Funk-Aktivierungsfunktion zum ersten Mal mit dem jeweiligen Werkzeug benutzt werden kann, ist die Werkzeugregistrierung erforderlich. Wenn die Registrierung des Werkzeugs einmal durchgeführt worden ist, erübrigt sich eine Neuregistrierung, sofern die Registrierung nicht aufgehoben wird.

HINWEIS: Vergewissern Sie sich vor der Registrierung, dass der Funk-Adapter ordnungsgemäß eingesetzt ist.

HINWEIS: Ein Funk-Adapter kann bis zu 10 Verbindungen mit anderen Funk-Adaptoren registrieren. Wenn mehr als 10 andere Funk-Adapter in einem Funk-Adapter registriert werden, wird die Registrierung des ersten automatisch gelöscht.

HINWEIS: Die Position der Funk-Aktivierungstaste ist je nach Werkzeug unterschiedlich.

HINWEIS: Der Staubsauger kann auch durch Drücken der Ein-Aus-Taste gestartet werden, wenn der Bereitschaftsschalter auf „AUTO“ steht. Die Ein-Aus-Taste lässt sich jedoch nicht betätigen, wenn die Funk-Aktivierungsfunktion benutzt wird.

Installieren des Funk-Adapters

⚠️ WARNUNG: Öffnen Sie den Deckel nur dann, wenn Sie den Funk-Adapter zum ersten Mal installieren. Öffnen Sie niemals den Deckel, nachdem Sie ihn installiert haben.

⚠️ VORSICHT: Legen Sie das Sauggerät zum Installieren des Funk-Adapters auf eine ebene und stabile Oberfläche.

ANMERKUNG: Entfernen Sie Staub und Schmutz vom Sauggerät, bevor Sie den Funk-Adapter installieren. Staub oder Schmutz können eine Funktionsstörung verursachen, falls sie in den Schlitz des Funk-Adapters gelangen.

ANMERKUNG: Um eine durch statische Entladung verursachte Funktionsstörung zu verhindern, berühren Sie ein Material zur Ableitung statischer Elektrizität, wie z. B. ein Metallteil, bevor Sie den Funk-Adapter anfassen.

ANMERKUNG: Achten Sie beim Installieren des Funk-Adapters immer darauf, dass der Funk-Adapter in der korrekten Richtung eingeführt wird und der Deckel vollständig geschlossen ist.

1. Lösen Sie die Schraube, um den Deckel des Sauggerätes zu öffnen, wie in der Abbildung gezeigt.
► **Abb.24:** 1. Deckel 2. Schraube

2. Führen Sie den Funk-Adapter in den Steckplatz ein.

Wenn Sie den Funk-Adapter einführen, richten Sie die Vorsprünge auf die Vertiefungen des Steckplatzes aus.

► **Abb.25:** 1. Funk-Adapter 2. Vorsprung 3. Deckel 4. Vertiefung

3. Ziehen Sie die Schraube vollständig an, um den Deckel zu schließen.

Werkzeugregistrierung für den Staubsauger

HINWEIS: Ein Makita-Werkzeug, das die Funk-Aktivierungsfunktion unterstützt, ist für die Werkzeugregistrierung erforderlich.

HINWEIS: Die Installation des Funk-Adapters im Werkzeug muss vollendet sein, bevor mit der Werkzeugregistrierung begonnen wird.

HINWEIS: Unterlassen Sie während der Werkzeugregistrierung die Betätigung des Auslöseschalters am Werkzeug oder das Einschalten des Ein-Aus-Schalters am Staubsauger.

HINWEIS: Nehmen Sie auch auf die Betriebsanleitung des Werkzeugs Bezug.

Wenn Sie den Staubsauger zusammen mit der Schalterbetätigung des Werkzeugs aktivieren möchten, müssen Sie zuvor die Werkzeugregistrierung beenden.

1. Setzen Sie die Funk-Adapter jeweils in das Sauggerät und das Werkzeug ein.

2. Setzen Sie die Akkus in den Staubsauger und das Werkzeug ein.

3. Stellen Sie den Bereitschaftsschalter am Staubsauger auf „AUTO“.

► **Abb.26:** 1. Bereitschaftsschalter

4. Drücken Sie die Funk-Aktivierungstaste am Staubsauger für 3 Sekunden, bis die Funk-Aktivierungslampe in Grün blinkt. Drücken Sie dann die Funk-Aktivierungstaste am Werkzeug in der gleichen Weise.

► **Abb.27:** 1. Funk-Aktivierungstaste
2. Funk-Aktivierungslampe

Wenn Staubsauger und Werkzeug

erfolgreich verbunden werden, leuchtet die Funk-Aktivierungslampe 2 Sekunden lang in Grün auf und beginnt dann in Blau zu blinken.

HINWEIS: Nach Ablauf von 20 Sekunden hören die Funk-Aktivierungslampen auf, in Grün zu blinken. Drücken Sie die Funk-Aktivierungstaste am Werkzeug, während die Funk-Aktivierungslampe am Staubsauger blinkt. Falls die Funk-Aktivierungslampe nicht in Grün blinkt, drücken Sie die Funk-Aktivierungstaste kurz, und halten Sie sie erneut gedrückt.

HINWEIS: Wenn Sie zwei oder mehr Werkzeugregistrierungen für den Staubsauger durchführen, beenden Sie die Werkzeugregistrierungen nacheinander.

Starten der Funk-Aktivierungsfunktion

HINWEIS: Beenden Sie die Werkzeugregistrierung für den Staubsauger für die Funk-Aktivierung.

HINWEIS: Platzieren Sie den Staubsauger immer so, dass Sie den Status der Funk-Aktivierungslampe sehen können.

HINWEIS: Nehmen Sie auch auf die Betriebsanleitung des Werkzeugs Bezug.

Nachdem Sie ein Werkzeug im Staubsauger registriert haben, läuft der Staubsauger automatisch mit der Schalterbetätigung am Werkzeug an.

1. Setzen Sie die Funk-Adapter jeweils in das Sauggerät und das Werkzeug ein.
2. Setzen Sie die Akkus in den Staubsauger und das Werkzeug ein.
3. Schließen Sie den Schlauch des Staubsaugers am Werkzeug an.
▶ **Abb.28**
4. Stellen Sie den Bereitschaftsschalter am Staubsauger auf „AUTO“.
▶ **Abb.29:** 1. Bereitschaftsschalter
5. Drücken Sie die Funk-Aktivierungstaste am Werkzeug kurz. Die Funk-Aktivierungslampe blinkt in Blau.
▶ **Abb.30:** 1. Funk-Aktivierungstaste
2. Funk-Aktivierungslampe
6. Schalten Sie das Werkzeug ein. Prüfen Sie, ob das Sauggerät während des Betriebs des Werkzeugs läuft.

⚠ VORSICHT: Prüfen Sie immer nach, ob die Funk-Aktivierungsfunktion wirksam ist, bevor Sie eine Arbeit mit dem Werkzeug beginnen.

Um die Funk-Aktivierung zu stoppen, drücken Sie die Funk-Aktivierungstaste am Werkzeug, oder stellen Sie den Bereitschaftsschalter am Staubsauger auf „I“ oder „O“.

HINWEIS: Die Funk-Aktivierungslampe am Werkzeug hört auf, in Blau zu blinken, wenn 2 Stunden lang kein Betrieb erfolgt. Stellen Sie in diesem Fall den Bereitschaftsschalter am Staubsauger auf „AUTO“, und drücken Sie die Funk-Aktivierungstaste am Werkzeug erneut.

HINWEIS: Der Staubsauger startet/stoppt mit einer Verzögerung. Es tritt eine Zeitverzögerung auf, wenn der Staubsauger eine Schalterbetätigung des Werkzeugs erkennt.

HINWEIS: Die Übertragungsbereichweite des Funk-Adapters kann abhängig vom Ort und den Umgebungsbedingungen schwanken.

HINWEIS: Wenn zwei oder mehr Werkzeuge in einem Sauggerät registriert sind, kann das Sauggerät anlaufen, selbst wenn Sie das Werkzeug nicht einschalten, weil ein anderer Benutzer die Funk-Aktivierungsfunktion benutzt.

Aufheben der Werkzeugregistrierung für den Staubsauger

Führen Sie das folgende Verfahren durch, um die Werkzeugregistrierung für den Staubsauger aufzuheben.

1. Setzen Sie die Funk-Adapter jeweils in das Sauggerät und das Werkzeug ein.
2. Setzen Sie die Akkus in den Staubsauger und das Werkzeug ein.
3. Stellen Sie den Bereitschaftsschalter am Staubsauger auf „AUTO“.
▶ **Abb.31:** 1. Bereitschaftsschalter
4. Drücken Sie die Funk-Aktivierungstaste am Staubsauger für 6 Sekunden. Die Funk-Aktivierungslampe blinkt in Grün und wird dann rot. Drücken Sie danach die Funk-Aktivierungstaste am Werkzeug in der gleichen Weise.
▶ **Abb.32:** 1. Funk-Aktivierungstaste
2. Funk-Aktivierungslampe

Wenn die Aufhebung erfolgreich war, leuchten die Funk-Aktivierungslampen 2 Sekunden lang in Rot auf und beginnen dann in Blau zu blinken.

HINWEIS: Nach Ablauf von 20 Sekunden hören die Funk-Aktivierungslampen auf, in Rot zu blinken. Drücken Sie die Funk-Aktivierungstaste am Werkzeug, während die Funk-Aktivierungslampe am Staubsauger blinkt. Falls die Funk-Aktivierungslampe nicht in Rot blinkt, drücken Sie die Funk-Aktivierungstaste kurz, und halten Sie sie erneut gedrückt.

Löschen aller Werkzeugregistrierungen

Um alle Werkzeugregistrierungen im Staubsauger zu löschen, gehen Sie wie folgt vor.

- ▶ **Abb.33:** 1. Bereitschaftsschalter
2. Funk-Aktivierungstaste
3. Funk-Aktivierungslampe

1. Installieren Sie den Funk-Adapter am Sauggerät.
2. Setzen Sie die Akkus in den Staubsauger ein.
3. Stellen Sie den Bereitschaftsschalter auf „AUTO“.
4. Halten Sie die Funk-Aktivierungstaste etwa 6 Sekunden lang gedrückt, bis die Funk-Aktivierungslampe in Rot blinkt (etwa zweimal pro Sekunde).
5. Sobald die Funk-Aktivierungslampe in Rot zu blinken beginnt, nehmen Sie den Finger von der Funk-Aktivierungstaste. Halten Sie danach die

Funk-Aktivierungstaste erneut etwa 6 Sekunden lang gedrückt.

6. Sobald die Funk-Aktivierungslampe schnell in Rot zu blinken beginnt (etwa 5-mal pro Sekunde), nehmen Sie den Finger von der Funk-Aktivierungstaste. Wenn die Funk-Aktivierungslampe in Rot aufleuchtet und später erlischt, werden alle Werkzeugregistrierungen gelöscht.

HINWEIS: Falls die Funk-Aktivierungslampe nicht in Rot blinkt, drücken Sie die Funk-Aktivierungstaste kurz, und versuchen Sie es erneut.

Beschreibung des Zustands der Funk-Aktivierungslampe

- **Abb.34:** 1. Funk-Aktivierungstaste
2. Funk-Aktivierungslampe

Die Funk-Aktivierungslampe zeigt den Zustand der Funk-Aktivierungsfunktion an. Die Bedeutung des Lampenzustands ist aus der nachstehenden Tabelle ersichtlich.

Zustand	Funk-Aktivierungslampe				Beschreibung
	Farbe	<input type="checkbox"/> Ein	<input type="checkbox"/> Blinkend	Dauer (ungefähr)	
Bereitschaft	Blau	<input checked="" type="checkbox"/>	<input checked="" type="checkbox"/>	Staubsauger: fortlaufend Werkzeug: 2 Stunden	Warten darauf, ob die Werkzeugregistrierung oder die Funk-Aktivierungsfunktion verfügbar ist. Die Lampe am Staubsauger blinkt, wenn der Bereitschaftsschalter auf „AUTO“ steht. Die Lampe am Werkzeug blinkt, wenn die Funk-Aktivierungstaste gedrückt wird. Die Lampe am Werkzeug erlischt automatisch, wenn 2 Stunden lang kein Betrieb erfolgt.
		<input type="checkbox"/>		Wenn das Werkzeug läuft.	Die Funk-Aktivierung des Staubsaugers ist verfügbar, und das Werkzeug läuft.
Werkzeugregistrierung	Grün	<input checked="" type="checkbox"/>		20 Sekunden	Bereit für die Werkzeugregistrierung. Suchen des zu registrierenden Werkzeugs.
		<input type="checkbox"/>		2 Sekunden	Die Werkzeugregistrierung ist beendet worden. Die Funk-Aktivierungslampe beginnt, in Blau zu blinken.
Aufheben/Löschen der Werkzeugregistrierung	Rot	<input checked="" type="checkbox"/>		20 Sekunden	Bereit für die Aufhebung der Werkzeugregistrierung. Suchen des aufzuhobenden Werkzeugs.
		<input checked="" type="checkbox"/>		Wenn die Funk-Aktivierungstaste gedrückt wird.	Bereit, alle Werkzeugregistrierungen zu löschen.
		<input type="checkbox"/>		2 Sekunden	Die Werkzeugregistrierung ist aufgehoben/gelöscht worden. Die Funk-Aktivierungslampe beginnt, in Blau zu blinken.
Sonstiges	Rot	<input type="checkbox"/>		3 Sekunden	Der Funk-Adapter wird mit Strom versorgt, und die Funk-Aktivierungsfunktion wird gestartet.
	Aus		-	-	Der Bereitschaftsschalter steht nicht auf „AUTO“.

Fehlersuche für Funk-Aktivierungsfunktion

Bevor Sie den Reparaturdienst anrufen, führen Sie zunächst Ihre eigene Inspektion durch. Falls Sie ein Problem finden, das nicht in der Anleitung erläutert wird, versuchen Sie nicht, das Werkzeug zu zerlegen. Wenden Sie sich stattdessen an autorisierte Makita-Kundendienstzentren, und achten Sie darauf, dass stets Makita-Ersatzteile für Reparaturen verwendet werden.

Zustand der Unregelmäßigkeit	Wahrscheinliche Ursache (Funktionsstörung)	Abhilfemaßnahme
Die Funk-Aktivierungslampe leuchtet/blinkt nicht.	Es ist kein Funk-Adapter im Sauggerät und/oder Werkzeug installiert. Der Funk-Adapter ist falsch im Sauggerät und/oder Werkzeug installiert.	Installieren Sie den Funk-Adapter korrekt.
	Die Funk-Aktivierungstaste am Werkzeug ist nicht gedrückt worden.	Drücken Sie die Funk-Aktivierungstaste am Werkzeug kurz.
	Der Bereitschaftsschalter am Staubsauger steht nicht auf „AUTO“.	Stellen Sie den Bereitschaftsschalter am Staubsauger auf „AUTO“.
	Keine Stromversorgung	Versorgen Sie Werkzeug und Staubsauger mit Strom.
Die Werkzeugregistrierung/ Aufhebung der Werkzeugregistrierung kann nicht erfolgreich beendet werden.	Es ist kein Funk-Adapter im Sauggerät und/oder Werkzeug installiert. Der Funk-Adapter ist falsch im Sauggerät und/oder Werkzeug installiert.	Installieren Sie den Funk-Adapter korrekt.
	Der Bereitschaftsschalter am Staubsauger steht nicht auf „AUTO“.	Stellen Sie den Bereitschaftsschalter am Staubsauger auf „AUTO“.
	Keine Stromversorgung	Versorgen Sie Werkzeug und Staubsauger mit Strom.
	Falsche Bedienung	Drücken Sie die Funk-Aktivierungstaste kurz, und führen Sie die Verfahren der Registrierung/ Registrierungsaufhebung des Werkzeugs erneut durch.
	Der Abstand zwischen Werkzeug und Staubsauger ist zu groß (außerhalb der Übertragungreichweite).	Verkleinern Sie den Abstand zwischen Werkzeug und Staubsauger. Die maximale Übertragungreichweite beträgt ungefähr 10 m, sie kann aber je nach den Umständen schwanken.
	Bevor Sie die Werkzeugregistrierung/ Aufhebung der Werkzeugregistrierung beenden; - der Schalter des Werkzeugs wird eingeschaltet, oder; - die Betriebstaste am Sauggerät wird eingeschaltet.	Drücken Sie die Funk-Aktivierungstaste kurz, und führen Sie die Verfahren der Registrierung/ Registrierungsaufhebung des Werkzeugs erneut durch.
	Die Verfahren der Werkzeugregistrierung für das Werkzeug oder den Staubsauger sind nicht beendet.	Führen Sie die Verfahren der Werkzeugregistrierung sowohl für das Werkzeug als auch den Staubsauger zum selben Zeitpunkt durch.
Funkstörungen durch andere Geräte, die starke Funkwellen erzeugen.	Halten Sie das Werkzeug und den Staubsauger von solchen Geräten wie WLAN-Geräten und Mikrowellenöfen fern.	

Zustand der Unregelmäßigkeit	Wahrscheinliche Ursache (Funktionsstörung)	Abhilfemaßnahme
Der Staubsauger läuft bei der Schalterbetätigung des Werkzeugs nicht an.	Es ist kein Funk-Adapter im Sauggerät und/oder Werkzeug installiert. Der Funk-Adapter ist falsch im Sauggerät und/oder Werkzeug installiert.	Installieren Sie den Funk-Adapter korrekt.
	Die Funk-Aktivierungstaste am Werkzeug ist nicht gedrückt worden.	Drücken Sie die Funk-Aktivierungstaste kurz, und vergewissern Sie sich, dass die Funk-Aktivierungslampe in Blau blinkt.
	Der Bereitschaftsschalter am Staubsauger steht nicht auf „AUTO“.	Stellen Sie den Bereitschaftsschalter am Staubsauger auf „AUTO“.
	Es sind mehr als 10 Werkzeuge im Staubsauger registriert.	Führen Sie die Werkzeugregistrierung erneut durch. Wenn mehr als 10 Werkzeuge im Staubsauger registriert werden, wird die Registrierung des ersten Werkzeugs automatisch gelöscht.
	Der Staubsauger hat alle Werkzeugregistrierungen gelöscht.	Führen Sie die Werkzeugregistrierung erneut durch.
	Keine Stromversorgung	Versorgen Sie Werkzeug und Staubsauger mit Strom.
	Der Abstand zwischen Werkzeug und Staubsauger ist zu groß (außerhalb der Übertragsreichweite).	Verkleinern Sie den Abstand zwischen Werkzeug und Staubsauger. Die maximale Übertragsreichweite beträgt ungefähr 10 m, sie kann aber je nach den Umständen schwanken.
	Funkstörungen durch andere Geräte, die starke Funkwellen erzeugen.	Halten Sie das Werkzeug und den Staubsauger von solchen Geräten wie WLAN-Geräten und Mikrowellenöfen fern.
Das Sauggerät läuft, während das Werkzeug außer Betrieb ist.	Andere Benutzer nutzen die Funk-Aktivierung des Staubsaugers mit ihren Werkzeugen.	Schalten Sie die Funk-Aktivierungstaste der anderen Werkzeuge aus, oder heben Sie die Werkzeugregistrierung der anderen Werkzeuge auf.
Es können nicht alle Werkzeugregistrierungen im Staubsauger gelöscht werden.	Drücken der Funk-Aktivierungstaste am Werkzeug.	Drücken Sie die Funk-Aktivierungstaste am Staubsauger, um alle Werkzeugregistrierungen zu löschen.
	Der Bereitschaftsschalter am Staubsauger steht nicht auf „AUTO“.	Stellen Sie den Bereitschaftsschalter am Staubsauger auf „AUTO“.
	Die Funk-Aktivierungstaste wird nicht korrekt gedrückt gehalten.	Halten Sie die Funk-Aktivierungstaste länger als 6 Sekunden gedrückt, und lassen Sie sie dann los, wenn die Funk-Aktivierungslampe in Rot blinkt. Halten Sie die Funk-Aktivierungstaste erneut länger als 6 Sekunden gedrückt, bis die Funk-Aktivierungslampe schnell in Rot blinkt, und lassen Sie dann die Taste los.

WARTUNG

⚠ VORSICHT: Vergewissern Sie sich vor der Durchführung von Inspektions- oder Wartungsarbeiten stets, dass das Gerät ausgeschaltet ist und die Akkus abgenommen sind.

ANMERKUNG: Verwenden Sie auf keinen Fall Benzin, Waschbenzin, Verdünnern, Alkohol oder dergleichen. Solche Mittel können Verfärbung, Verformung oder Rissbildung verursachen.

Um die SICHERHEIT und ZUVERLÄSSIGKEIT dieses Produkts zu gewährleisten, sollten Reparaturen und andere Wartungs- oder Einstellarbeiten nur von Makita-Vertragswerkstätten oder Makita-Kundendienstzentren unter ausschließlicher Verwendung von Makita-Originalersatzteilen ausgeführt werden.

Entfernen der Filtereinheit

⚠ VORSICHT: Warten Sie etwa 5 Minuten, damit sich der Staub im Tank vollständig absetzt.

⚠ VORSICHT: Achten Sie darauf, dass beim Herausnehmen der Filtereinheit kein Staub in das Innere des Tankdeckels gelangt.

Die Filtereinheit ist an der Kopfeinheit befestigt. Sie besteht aus Deckplatte, Vorfiltern, Dämpfern und Pulverfiltern.

1. Lösen Sie die Verriegelungshaken, und heben Sie die Kopfeinheit vom Tank ab.
 2. Nehmen Sie die Filtereinheit von der Kopfeinheit ab, wie in der Abbildung gezeigt.
- **Abb.35:** 1. Klinke 2. Filtereinheit

Entfernen von Pulverfilter und Vorfilter

Heben Sie den Knopf an, und entfernen Sie die Filter von der Deckplatte.

► **Abb.36:** 1. Deckplatte 2. Filter 3. Knopf

Um zu verhindern, dass Stäube in der Luft schweben, ist es besser, die Filter im Polyethylenbeutel zu entfernen.

Wenn Sie die Filtereinheit zum Reinigen tragen, binden Sie einen Polyethylenbeutel fest zu.

► **Abb.37:** 1. Filtereinheit 2. Polyethylenbeutel

► **Abb.38:** 1. Deckplatte 2. Filter 3. Polyethylenbeutel

Reinigen von Pulverfilter, Vorfilter und Dämpfer

Säubern Sie die Filter und den Dämpfer von Zeit zu Zeit. Verstopfte Filter und Dämpfer können zu einer schlechten Saugleistung führen.

Säubern Sie die Filter und den Dämpfer regelmäßig von angesammeltem Staub.

Waschen Sie den Pulverfilter, den Vorfilter und den Dämpfer gelegentlich in Wasser aus, spülen Sie sie ab, und lassen Sie sie vor Gebrauch im Schatten gründlich trocknen. Waschen Sie die Teile niemals in einer Waschmaschine.

► **Abb.39**

HINWEIS: Unterlassen Sie Abreiben oder Abkratzen des Pulverfilters, des Vorfilters oder des Dämpfers mit harten Gegenständen, wie z. B. einer Bürste und einer Kratze.

HINWEIS: Die Filter nutzen im Laufe der Zeit ab. Es ist empfehlenswert, Ersatzfilter bereitzuhalten.

Installieren von Pulverfilter und Vorfilter

ANMERKUNG: Der Pulverfilter und der Vorfilter können sowohl trockene als auch feuchte Stäube auffangen. Vergewissern Sie sich, dass die Wasserstandssensoren ordnungsgemäß aktiviert sind, um einen Bruch des Pulverfilters zu verhindern.

Haken Sie die Kanten der Filtereinheit an der Deckplatte ein, und senken Sie dann den Knopf ab.

► **Abb.40:** 1. Kante 2. Knopf

ANMERKUNG: Stellen Sie vor der Benutzung des Pulverfilters sicher, dass Vorfilter und Dämpfer immer zusammen verwendet werden. Es ist nicht erlaubt, den Pulverfilter allein zu installieren.

Zusammensetzen der Filter

Wenn Sie die Filter einzeln erhalten, setzen Sie sie so zusammen, wie in der Abbildung gezeigt.

► **Abb.41:** 1. Pulverfilter 2. Dämpfer 3. Vorfilter

Installieren der Filtereinheit

Nachdem Sie die Filter an der Deckplatte installiert haben, haken Sie die Löcher der Filtereinheit an den U-förmigen Teilen der Innenabdeckung ein. Verriegeln Sie dann die Klinke, wie in der Abbildung gezeigt.

► **Abb.42:** 1. U-förmiger Teil 2. Loch 3. Klinke

Installieren des Wasserfilters

Sonderzubehör

ANMERKUNG: Achten Sie beim Aufsaugen von nassem Staub darauf, dass die Wasserstandssensoren ordnungsgemäß aktiviert sind.

ANMERKUNG: Benutzen Sie keinen Vorfilter und Dämpfer, wenn Sie einen Wasserfilter benutzen.

Um nur Wasser oder nassen Staub aufzufangen, ist der Wasserfilter besser geeignet als der Pulverfilter und der Vorfilter.

Wenn Sie den Wasserfilter installieren, setzen Sie den Wasserfilter wie den Pulverfilter und den Vorfilter auf die Deckplatte.

► **Abb.43**

HINWEIS: Es wird empfohlen, den Wasserfilter zu verwenden, wenn wiederholt große Wassermengen aufgesaugt werden. Andernfalls kann es im Falle des Pulverfilters und des Vorfilters zu einer Verringerung der Saugleistung kommen.

Reinigen der Wasserstandssensoren

Die Wasserstandssensoren erkennen, wenn der Tank mit Flüssigkeit gefüllt ist. Reinigen Sie die Wasserstandssensoren von Zeit zu Zeit mit einem weichen Tuch, wenn Sie die Filter wechseln.

► **Abb.44:** 1. Wasserstandssensor

Aufbewahrung von Zubehörteilen

Nicht benutztes Zubehör und Aufsätze wie Düsen und Rohre können am Haken an der Rückseite des Sauggerätes aufgehängt werden.

► **Abb.45:** 1. Nicht benutztes Zubehör und Aufsätze

Rohre (mit optionalem Stopper) können in den Rohrhalter gelegt werden, wenn das Sauggerät für kurze Zeit nicht verwendet wird.

► **Abb.46:** 1. Stopper (Sonderzubehör) 2. Rohrhalter

Ein Schlauch kann in großen Schlaufen um das Gehäuse oder den Handgriff des Sauggerätes gewickelt und aufbewahrt werden. Verbinden Sie seine beiden Enden zu Schlaufen, und hängen Sie die Schlaufen in den hochgeklappten Handgriff ein. Alternativ können Sie das Wurzelende im Schlaucheinlass installiert lassen und die Schlaufen mit einem angebandenen losen Ende an den Multi-Haken hängen.

► **Abb.47**

► **Abb.48**

SONDERZUBEHÖR

⚠ VORSICHT: Die folgenden Zubehörteile oder Vorrichtungen werden für den Einsatz mit dem in dieser Anleitung beschriebenen Makita-Werkzeug empfohlen. Die Verwendung anderer Zubehörteile oder Vorrichtungen kann eine Verletzungsgefahr darstellen. Verwenden Sie Zubehörteile oder Vorrichtungen nur für ihren vorgesehenen Zweck.

Wenn Sie weitere Einzelheiten bezüglich dieser Zubehörteile benötigen, wenden Sie sich bitte an Ihre Makita-Kundendienststelle.

- Schlauch
- Frontmanschetten (22, 24, 38)
- Gerades Rohr
- Spitzdüse
- Rundbürste
- Pulverfilter M, H (HEPA)
- Dämpfer
- Vorfilter
- Wasserfilter
- Absaugstutzen
- Gebogenes Rohr
- Polyethylenbeutel
- Filterbeutel
- Original-Makita-Akku und -Ladegerät
- Funk-Adapter
- MAKPAC

HINWEIS: Manche Teile in der Liste können als Standardzubehör im Werkzeugsatz enthalten sein. Sie können von Land zu Land unterschiedlich sein.

AVVERTENZA

- La presente macchina non è destinata all'utilizzo da parte di persone, inclusi i bambini, dalle capacità fisiche, sensoriali o mentali ridotte, o prive di esperienza e preparazione.
- I bambini vanno tenuti sotto controllo per accertarsi che non giochino con l'aspiratore.
- Per il riferimento sul tipo di batteria, vedere il capitolo "DATI TECNICI".
- Per istruzioni su come rimuovere o installare la batteria, vedere la sezione "Installazione o rimozione della cartuccia della batteria".
- Quando si intende smaltire la cartuccia della batteria, rimuoverla dall'utensile e smaltirla in un luogo sicuro. Attenersi alle normative locali relative allo smaltimento della batteria.
- Se l'utensile non viene utilizzato per un periodo di tempo prolungato, la batteria deve essere rimossa dall'utensile.
- Non cortocircuitare la cartuccia della batteria.
- Per i dettagli appropriati relativi alle precauzioni durante la manutenzione da parte dell'utente, vedere il capitolo "MANUTENZIONE".

DATI TECNICI

Modello:		VC007GL
Volume d'aria massimo all'estremità del tubo flessibile	Con BL4050F, e tubo flessibile da ø28 mm x 3,5 m	2,0 m ³ /min
	Con BL4050F e tubo flessibile da ø38 mm x 2,5 m	3,7 m ³ /min
Volume d'aria massimo alla turbina (con BL4050F)		4,9 m ³ /min
Potenza in aspirazione (con BL4050F)		18 kPa
Capacità di recupero	Polveri	40 L
	Acqua	30 L
Dimensioni (L x P x A)		586 mm x 385 mm x 598 mm
Tensione nominale		C.C. Da 72 V a 80 V max
Peso netto		18,3 - 20,7 kg
Grado di protezione		IPX4

- A causa del nostro programma continuativo di ricerca e sviluppo, i dati tecnici sono soggetti a modifiche senza preavviso.
- I dati tecnici possono variare da una nazione all'altra.
- Il peso non comprende gli accessori ma comprende la cartuccia della batteria o le cartucce delle batterie. Nella tabella sono indicati i pesi combinati minimi e massimi dell'elettrodomestico insieme alla cartuccia della batteria o alle cartucce delle batterie.

Cartuccia della batteria e caricabatterie applicabili

Cartuccia della batteria	BL4020 / BL4025 / BL4040* / BL4050F* / BL4080F* * : Batteria consigliata
Caricabatterie	DC40RA / DC40RB / DC40RC / DC40WA / BCC01 / BCC02

- Alcune cartucce delle batterie e alcuni caricabatterie elencati sopra potrebbero non essere disponibili a seconda della propria area geografica di residenza.

⚠ AVVERTIMENTO: Utilizzare solo le cartucce delle batterie e i caricabatterie elencati sopra. L'utilizzo di altre cartucce delle batterie e di altri caricabatterie potrebbe causare lesioni personali e/o un incendio.

Simboli






Le figure seguenti mostrano i simboli utilizzati per l'apparecchio. Accertarsi di comprenderne il significato prima dell'uso.



Leggere il manuale d'uso.



Adottare cura e attenzione particolari.

	Avvertenza! L'aspiratore potrebbe contenere polveri pericolose.
	Non salire mai sull'aspiratore.
	Non collocare sull'aspiratore alcun oggetto il cui peso sia superiore a 20 kg (44 lbs).
	Classe di polveri L (leggere). Gli aspiratori sono in grado di raccogliere polveri di classe L. Attenersi alle normative della propria nazione relative alle polveri e alla salute e alla sicurezza sul lavoro.
	Solo per le nazioni dell'EU A causa della presenza di componenti pericolosi nelle apparecchiature, i rifiuti di apparecchiature elettriche ed elettroniche, accumulatori e batterie potrebbero produrre un impatto negativo sull'ambiente e sulla salute umana. Non smaltire elettrodomestici elettrici ed elettronici o batterie insieme ai rifiuti domestici! In conformità alla direttiva europea sui rifiuti di apparecchiature elettriche ed elettroniche (RAEE), sugli accumulatori e le batterie, nonché sui rifiuti di accumulatori e batterie, e al suo adattamento alle normative nazionali, i rifiuti di apparecchiature elettriche ed elettroniche, batterie e accumulatori vanno conservati separatamente e conferiti a un punto di raccolta separato per i rifiuti comunali, operando in conformità alle normative per la protezione dell'ambiente. Tale requisito viene indicato mediante il simbolo del bidone della spazzatura con ruote barrato apposto sull'apparecchio.

Utilizzo previsto

Questo elettrodomestico è destinato alla raccolta sia di polveri umide che di polveri secche. L'elettrodomestico è idoneo a usi commerciali, ad esempio in hotel, scuole, ospedali, fabbriche, negozi, uffici e noleggi.

Rumore

Livello tipico di rumore pesato A determinato in base allo standard EN60335-2-69:

Livello di pressione sonora (L_{pA}): 70 dB (A) o inferiore
Incertezza (K): 2,5 dB (A)

Il livello del rumore nelle condizioni di lavoro può superare gli 80 dB (A).

NOTA: Il valore o i valori dichiarati delle emissioni di rumori sono stati misurati in conformità a un metodo standard di verifica, e possono essere utilizzati per confrontare un utensile con un altro.

NOTA: Il valore o i valori dichiarati delle emissioni di rumori possono venire utilizzati anche per una valutazione preliminare dell'esposizione.

⚠AVVERTIMENTO: Indossare protezioni per le orecchie.

⚠AVVERTIMENTO: L'emissione di rumori durante l'utilizzo effettivo dell'utensile elettrico può variare rispetto al valore o ai valori dichiarati, a seconda dei modi in cui viene utilizzato l'utensile e specialmente a seconda di che tipo di pezzo venga lavorato.

⚠AVVERTIMENTO: Accertarsi di identificare misure di sicurezza per la protezione dell'operatore che siano basate su una stima dell'esposizione nelle condizioni effettive di utilizzo (tenendo conto di tutte le parti del ciclo operativo, ad esempio del numero di spegnimenti dell'utensile e di quando giri a vuoto, oltre al tempo di attivazione).

Vibrazioni

Valore totale delle vibrazioni (somma vettoriale triassiale) determinato in base allo standard EN60335-2-69: Emissione di vibrazioni ($a_{h,M}$): 2,5 m/s² o inferiore
Incertezza (K): 1,5 m/s²

NOTA: Il valore o i valori complessivi delle vibrazioni dichiarati sono stati misurati in conformità a un metodo standard di verifica, e possono essere utilizzati per confrontare un utensile con un altro.

NOTA: Il valore o i valori complessivi delle vibrazioni dichiarati possono venire utilizzati anche per una valutazione preliminare dell'esposizione.

⚠AVVERTIMENTO: L'emissione delle vibrazioni durante l'utilizzo effettivo dell'utensile elettrico può variare rispetto al valore o ai valori dichiarati, a seconda dei modi in cui viene utilizzato l'utensile, specialmente a seconda di che tipo di pezzo venga lavorato.

⚠AVVERTIMENTO: Accertarsi di identificare misure di sicurezza per la protezione dell'operatore che siano basate su una stima dell'esposizione nelle condizioni effettive di utilizzo (tenendo conto di tutte le parti del ciclo operativo, ad esempio del numero di spegnimenti dell'utensile e di quando giri a vuoto, oltre al tempo di attivazione).

Dichiarazioni di conformità

Solo per i paesi europei

Le Dichiarazioni di conformità sono incluse nell'Allegato A al presente manuale d'uso.

AVVERTENZE DI SICUREZZA

Avvertenze di sicurezza dell'aspirapolvere a batteria

⚠ AVVERTIMENTO: IMPORTANTE! LEGGERE CON ATTENZIONE tutte le avvertenze di sicurezza e tutte le istruzioni PRIMA DELL'USO. La mancata osservanza delle avvertenze e delle istruzioni potrebbe risultare in scosse elettriche, incendi e/o gravi lesioni personali.

1. Prima dell'uso, accertarsi che il presente aspiratore venga utilizzato esclusivamente da personale che sia stato istruito in modo adeguato sull'utilizzo del presente aspiratore.
2. Prima dell'uso, è necessario fornire agli operatori informazioni, istruzioni e addestramento sull'utilizzo della macchina e delle sostanze per le quali deve essere utilizzata, incluso il metodo sicuro di rimozione e smaltimento dei materiali raccolti.
3. In caso di fuoriuscita di schiuma/liquido, spegnere immediatamente l'apparecchio.
4. Pulire a intervalli regolari il dispositivo di limitazione del livello dell'acqua e ispezionarlo alla ricerca di segni di danneggiamento.
5. Prima dell'uso, accertarsi sempre che i filtri siano installati correttamente. Non utilizzare l'aspiratore senza i filtri installati. Sostituire immediatamente un filtro danneggiato. Si consiglia di procurarsi dei ricambi, in quanto i filtri sono articoli consumabili.
6. EVITARE L'AVVIO ACCIDENTALE. Accertarsi che l'interruttore sia in posizione OFF (spento) durante l'installazione della/delle batterie/le.
7. Non tentare di raccogliere materiali infiammabili, fuochi d'artificio, sigarette accese, ceneri calde, schegge di metallo roventi e materiali affilati, quali rasoi, aghi, vetri rotti o simili.
8. NON UTILIZZARE MAI L'ASPIRATORE IN PROSSIMITÀ DI BENZINA, GAS, VERNICI, ADESIVI O ALTRE SOSTANZE ALTAMENTE ESPLOSIVE. L'interruttore emette delle scintille quando viene attivato e disattivato. Anche il commutatore del motore emette scintille durante l'uso. Di conseguenza, potrebbe verificarsi un'esplosione pericolosa.
9. Non aspirare mai materiali tossici, cancerogeni, combustibili o altri materiali pericolosi quali amianto, arsenico, bario, berillio, piombo, pesticidi o altri materiali nocivi.
10. Collocare sempre l'aspiratore su una superficie piana orizzontale, per evitarne la caduta o lo spostamento accidentali.
11. Non utilizzare mai l'aspiratore all'aperto sotto la pioggia.
12. Per la Finlandia, questa macchina non va utilizzata all'aperto a basse temperature.
13. Non utilizzare in prossimità di fonti di calore (cucine, e così via).
14. Qualora l'aria di scarico ritorni nella stanza, è necessario provvedere al ricambio dell'aria nella stanza con una frequenza adeguata. Se necessario, fare riferimento alle normative nazionali.
15. Non ostruire le feritoie della presa di aspirazione, dell'apertura di uscita o di raffreddamento. Tali feritoie consentono il raffreddamento del motore. Le ostruzioni vanno evitate con cura; in caso contrario, il motore si brucia a causa della mancanza di ventilazione.
16. Mantenere sempre un corretto appoggio sui piedi e l'equilibrio.
17. Non piegare, tirare o calpestare il tubo flessibile.
18. Arrestare immediatamente l'aspiratore qualora si notino prestazioni scadenti o qualsiasi anomalia durante l'uso.
19. RIMUOVERE LA/LE BATTERIA/E quando non si utilizza l'apparecchio, prima di interventi di assistenza e quando si intende sostituire gli accessori.
20. Pulire e sottoporre a manutenzione l'aspiratore subito dopo ciascun utilizzo per mantenerlo in condizioni operative ottimali.
21. SOTTOPORRE A MANUTENZIONE L'ASPIRATORE CON CURA. Mantenere l'aspiratore pulito per prestazioni migliori e più sicure. Seguire le istruzioni per la sostituzione degli accessori. Mantenere le maniglie pulite, asciutte e prive di olio e grasso.
22. CONTROLLARE L'EVENTUALE PRESENZA DI PARTI DANNEGGIATE. Prima di utilizzare ulteriormente l'aspiratore, controllare con cura protezioni o altre parti che siano danneggiate per accertarsi che funzionino correttamente e che svolgano la funzione a cui sono destinate. Controllare l'allineamento delle parti mobili, la presenza di eventuali inceppamenti delle parti mobili o rottura dei componenti, il montaggio ed eventuali altre condizioni che potrebbero influenzare il funzionamento. Una protezione o un'altra parte che siano danneggiate vanno riparate correttamente o sostituite da un centro di assistenza autorizzato, se non diversamente indicato altrove nel presente manuale di istruzioni. Far sostituire gli interruttori difettosi da un centro di assistenza autorizzato. Non utilizzare l'aspiratore qualora l'interruttore non consenta di accenderlo e spegnerlo.
23. Per la manutenzione eseguita dall'utente, la macchina va smantellata, pulita e sottoposta a manutenzione, entro i limiti ragionevolmente praticabili, senza causare rischi al personale di manutenzione e ad altri.
24. Almeno una volta all'anno, il produttore o una persona appositamente preparata devono sottoporre la macchina a un'ispezione tecnica che comprenda, ad esempio, l'ispezione dei filtri alla ricerca di eventuali danni, l'ermeticità della macchina e il funzionamento corretto del meccanismo di controllo.
25. Quando si intende eseguire operazioni di manutenzione o di riparazione, tutti gli elementi contaminati che non possano venire

puliti in modo soddisfacente devono essere smaltiti; tali elementi vanno smaltiti in sacchetti impenetrabili, in conformità a qualsiasi normativa corrente relativa allo smaltimento di tali rifiuti.

26. **PEZZI DI RICAMBIO.** Quando si effettuano interventi di assistenza, utilizzare esclusivamente pezzi di ricambio identici.
27. **RIPORRE L'ASPIRATORE QUANDO NON VIENE UTILIZZATO.** Quando l'aspiratore non è in uso, dovrebbe venire riposto al chiuso.
28. I filtri per liquidi e la parte interna del contenitore per liquidi vanno asciugati prima di conservarli.
29. **Maneggiare con delicatezza l'aspiratore.** Anche l'aspiratore più robusto può rompersi a causa dell'incuria nel maneggiarlo.
30. **Non tentare di pulire la superficie esterna o interna con benzina, solventi o prodotti chimici di pulizia.** In caso contrario, si potrebbero causare spaccature e scolorimenti.
31. **Non utilizzare l'aspiratore in spazi chiusi in cui siano presenti emissioni di vapori infiammabili, esplosivi o tossici** dovute a vernici a olio, diluenti per vernici, benzina, alcune sostanze per trattamenti antitarmici, e così via, o in aree in cui siano presenti polveri infiammabili.
32. **Non utilizzare questo utensile o altri utensili sotto l'effetto di droghe o alcolici.**
33. **Come regola di base per la sicurezza, utilizzare occhiali oppure occhiali di sicurezza con paraocchi laterali.**
34. **Utilizzare una maschera antipolvere in condizioni di lavoro che presentino polveri.**
35. **La presente macchina non è destinata all'utilizzo da parte di persone, inclusi i bambini, dalle capacità fisiche, sensoriali o mentali ridotte, o prive di esperienza e preparazione.**
36. **I bambini vanno tenuti sotto controllo per accertarsi che non giochino con l'aspiratore.**
37. **Non maneggiare mai la/le batteria/e e l'aspiratore con le mani bagnate.**
38. **Adottare estrema cautela durante la pulizia delle scale.**
39. **Non utilizzare l'aspiratore come sgabello o piano di lavoro. In caso contrario, la macchina potrebbe cadere, causando lesioni personali.**

Uso e manutenzione degli strumenti a batterie

1. **Ricaricare solo con il caricabatterie specificato dal produttore.** Un caricabatterie appropriato per un tipo di batteria potrebbe creare un rischio di incendio, se utilizzato con un'altra batteria.
2. **Utilizzare gli utensili elettrici solo con le batterie specificamente designate.** L'uso di qualsiasi altra batteria potrebbe creare un rischio di lesioni personali e incendi.
3. **Quando la batteria non è in uso, tenerla lontana da altri oggetti metallici, quali graffette, monete, chiavi, chiodi, viti o altri piccoli oggetti metallici, che potrebbero fare contatto tra terminali diversi.** Il cortocircuito dei terminali della batteria può causare ustioni o incendi.
4. **In condizioni di uso improprio, la batteria potrebbe emettere un liquido: evitare il**

contatto con tale liquido. Qualora si verifici un contatto accidentale con il liquido, lavare abbondantemente con acqua. Qualora il liquido entri in contatto con gli occhi, richiedere anche assistenza medica. Il liquido espulso dalla batteria può causare irritazioni o ustioni.

5. **Non utilizzare una batteria o un utensile che siano danneggiati o che siano stati modificati.** Batterie danneggiate o modificate potrebbero mostrare un comportamento imprevedibile che può risultare in incendi, esplosioni o nel rischio di lesioni personali.
6. **Non esporre una batteria o un utensile al fuoco o a temperature eccessive.** L'esposizione al fuoco o a temperature superiori ai 130 °C potrebbe causare un'esplosione.
7. **Attenersi a tutte le istruzioni relative alla carica e non caricare la batteria o l'utensile al di fuori della gamma di temperature specificata nelle istruzioni.** Una carica inappropriata o a temperatura al di fuori della gamma specificata potrebbe danneggiare la batteria e incrementare il rischio di incendio.

CONSERVARE LE PRESENTI ISTRUZIONI.

⚠AVVERTIMENTO: NON lasciare che la comodità o la familiarità d'uso con il prodotto (acquisita con l'uso ripetuto) sostituiscano la stretta osservanza delle norme di sicurezza. L'USO IMPROPRIO o la mancata osservanza delle norme di sicurezza riportate nel presente manuale manuale di istruzioni potrebbero causare lesioni personali gravi.

Istruzioni di sicurezza importanti per la cartuccia della batteria

1. **Prima di utilizzare la cartuccia della batteria, leggere tutte le istruzioni e le avvertenze riportate (1) sul caricabatteria, (2) sulla batteria e (3) sul prodotto che utilizza la batteria.**
2. **Non smantellare né manomettere la cartuccia della batteria.** In caso contrario, si potrebbe causare un incendio, calore eccessivo o un'esplosione.
3. **Qualora il tempo di utilizzo si riduca eccessivamente, interrompere immediatamente l'utilizzo dell'utensile.** In caso contrario, si può incorrere nel rischio di surriscaldamento, possibili ustioni e persino un'esplosione.
4. **Qualora l'elettrolita entri in contatto con gli occhi, sciacquarli con acqua pulita e richiedere immediatamente assistenza medica.** Questa eventualità può risultare nella perdita della vista.
5. **Non cortocircuitare la cartuccia della batteria:**
 - (1) **Non toccare i terminali con alcun materiale conduttivo.**
 - (2) **Evitare di conservare la cartuccia della batteria in un contenitore insieme ad altri oggetti metallici quali chiodi, monete, e così via.**
 - (3) **Non esporre la cartuccia della batteria**

all'acqua o alla pioggia.

Un cortocircuito della batteria può causare un grande flusso di corrente, un surriscaldamento, possibili ustioni e persino un guasto.

6. Non conservare e utilizzare l'utensile e la cartuccia della batteria in ubicazioni in cui la temperatura possa raggiungere o superare i 50 °C.
7. Non incenerire la cartuccia della batteria anche qualora sia gravemente danneggiata o completamente esaurita. La cartuccia della batteria può esplodere se a contatto con il fuoco.
8. Non inchiodare, tagliare, schiacciare, lanciare o far cadere la cartuccia della batteria, né farla urtare con forza contro un oggetto duro. Questi comportamenti potrebbero risultare in un incendio, calore eccessivo o un'esplosione.
9. Non utilizzare una batteria danneggiata.
10. Le batterie a ioni di litio contenute sono soggette ai requisiti del regolamento sul trasporto di merci pericolose (Dangerous Goods Legislation).
Per trasporti commerciali, ad esempio da parte di terzi o spedizionieri, è necessario osservare dei requisiti speciali sull'imballaggio e sull'etichetta. Per la preparazione dell'articolo da spedire, è richiesta la consulenza di un esperto in materiali pericolosi. Attenersi anche alle normative nazionali, che potrebbero essere più dettagliate. Nastrare o coprire i contatti aperti e imballare la batteria in modo tale che non si possa muovere liberamente all'interno dell'imballaggio.
11. Quando si intende smaltire la cartuccia della batteria, rimuoverla dall'utensile e smaltirla in un luogo sicuro. Attenersi alle normative locali relative allo smaltimento della batteria.
12. Utilizzare le batterie esclusivamente con i prodotti specificati da Makita. L'installazione delle batterie in prodotti non compatibili potrebbe risultare in incendi, calore eccessivo, esplosioni o perdite di liquido elettrolitico.
13. Se l'utensile non viene utilizzato per un periodo di tempo prolungato, la batteria deve essere rimossa dall'utensile.
14. Durante e dopo l'uso, la cartuccia della batteria potrebbe assorbire calore, che può causare ustioni o ustioni a bassa temperatura. Fare attenzione a come si maneggiano le cartucce delle batterie estremamente calde.
15. Non toccare i terminali dell'utensile subito dopo l'uso, in quanto potrebbero diventare estremamente caldi al punto da causare ustioni.
16. Evitare di far incastrare schegge, polveri o terreno nei terminali, nei fori e nelle scanalature della cartuccia della batteria. In caso contrario, l'utensile o la cartuccia della batteria potrebbero riscaldarsi, prendere fuoco, scoppiare o guastarsi, causando ustioni o lesioni personali.
17. A meno che l'utensile supporti l'uso in prossimità di linee elettriche ad alta tensione, non utilizzare la cartuccia della batteria in prossimità di linee elettriche ad alta tensione. In caso contrario, si potrebbe causare un malfunzionamento o la rottura dell'utensile o della cartuccia

della batteria.

18. Tenere la batteria lontana dai bambini.

CONSERVARE LE PRESENTI ISTRUZIONI.

⚠ATTENZIONE: Utilizzare solo batterie originali Makita. L'utilizzo di batterie Makita non originali, o di batterie che siano state alterate, potrebbe risultare nello scoppio della batteria, causando incendi, lesioni personali e danni. Inoltre, ciò potrebbe invalidare la garanzia Makita per l'utensile e il caricabatterie Makita.

Suggerimenti per preservare la durata massima della batteria

1. Caricare la cartuccia della batteria prima che si scarichi completamente. Smettere sempre di utilizzare l'utensile e caricare la cartuccia della batteria quando si nota che la potenza dell'utensile è diminuita.
2. Non ricaricare mai una cartuccia della batteria completamente carica. La sovraccarica riduce la vita utile della batteria.
3. Caricare la cartuccia della batteria a una temperatura ambiente compresa tra 10 °C e 40 °C. Lasciar raffreddare una cartuccia della batteria prima di caricarla.
4. Quando non si utilizza la cartuccia della batteria, rimuoverla dall'utensile o dal caricabatterie.
5. Caricare la cartuccia della batteria se non la si è utilizzata per un periodo di tempo prolungato (più di sei mesi).

Istruzioni importanti per la sicurezza dell'unità senza fili

1. Non aprire mai il coperchio dell'alloggiamento da soli una volta installata l'unità senza fili.
2. Non smontare né manomettere l'unità senza fili.
3. Tenere l'unità senza fili lontana dai bambini piccoli. Qualora venga inghiottita accidentalmente, richiedere immediatamente assistenza medica.
4. Utilizzare l'unità senza fili esclusivamente con utensili Makita.
5. Non esporre l'unità senza fili alla pioggia o a condizioni di bagnato.
6. Non utilizzare l'unità senza fili in luoghi in cui la temperatura superi i 50 °C.
7. Non utilizzare l'unità senza fili in luoghi in cui siano presenti strumenti medici, ad esempio pacemaker, nelle vicinanze.
8. Non utilizzare l'unità senza fili in luoghi in cui siano presenti dispositivi automatizzati nelle vicinanze. In caso contrario, i dispositivi automatizzati potrebbero sviluppare un malfunzionamento o un errore.
9. Non far funzionare l'unità senza fili in ubicazioni con temperatura ambiente elevata o in ubicazioni in cui potrebbero venire generati elettricità statica o disturbi elettrici.

10. L'unità senza fili può produrre campi elettromagnetici (EMF) ma questi ultimi non sono dannosi per l'utente.
11. L'unità senza fili è uno strumento preciso. Fare attenzione a non far cadere e a non colpire l'unità senza fili.
12. Evitare di toccare il terminale dell'unità senza fili a mani nude o con materiali metallici.
13. Rimuovere sempre la batteria sul prodotto quando si intende installare su quest'ultimo l'unità senza fili.
14. Quando si intende aprire il coperchio dell'alloggiamento, evitare ubicazioni in cui polvere e acqua potrebbero penetrare nell'alloggiamento. Mantenere sempre l'apertura di entrata dell'alloggiamento pulita.
15. Inserire sempre l'unità senza fili nella direzione corretta.
16. Non premere con forza eccessiva il pulsante di attivazione della comunicazione senza fili sull'unità senza fili, né premere il pulsante con un oggetto dal bordo affilato.
17. Chiudere sempre il coperchio dell'alloggiamento durante il funzionamento.
18. Non rimuovere l'unità senza fili dall'alloggiamento mentre viene fornita l'alimentazione all'utensile. In caso contrario, si potrebbe causare un malfunzionamento dell'unità senza fili.
19. Non rimuovere l'adesivo sull'unità senza fili.
20. Non applicare alcun adesivo sull'unità senza fili.
21. Non lasciare l'unità senza fili in un'ubicazione in cui potrebbero venire generati elettricità statica o disturbi elettrici.
22. Non lasciare l'unità senza fili in ubicazioni soggette a calore elevato, ad esempio in un'auto parcheggiata al sole.
23. Non lasciare l'unità senza fili in ubicazioni polverose o in ubicazioni in cui potrebbero venire generati gas corrosivi.
24. Una variazione improvvisa di temperatura potrebbe far bagnare di condensa l'unità senza fili. Non utilizzare l'unità senza fili fino alla completa asciugatura della condensa.
25. Quando si intende pulire l'unità senza fili, passarvi sopra delicatamente un panno morbido asciutto. Non utilizzare benzina per pulizia, diluenti, grasso conduttivo o simili.
26. Quando si intende riporre l'unità senza fili, conservarla nella custodia in dotazione o in un contenitore antistatico.
27. Non inserire alcun dispositivo diverso dall'unità senza fili Makita nell'alloggiamento presente sull'utensile.
28. Non utilizzare l'utensile con il coperchio dell'alloggiamento danneggiato. Qualora nell'alloggiamento penetrino acqua, polvere e sporco, potrebbero causare un malfunzionamento.
29. Non tirare né attorcigliare il coperchio dell'alloggiamento oltre il necessario. Qualora il coperchio si stacchi dall'utensile, riapplicarlo.
30. Qualora il coperchio dell'alloggiamento vada perso o venga danneggiato, sostituirlo.

CONSERVARE LE PRESENTI ISTRUZIONI.

DESCRIZIONE DELLE FUNZIONI

ATTENZIONE: Accertarsi sempre che l'elettrodomestico sia spento e che le cartucce delle batterie siano state rimosse, prima di regolare o di controllare il funzionamento dell'elettrodomestico.

Installazione o rimozione della cartuccia della batteria

ATTENZIONE: Spegnerne sempre l'utensile prima di installare o rimuovere la cartuccia della batteria.

ATTENZIONE: Quando si intende installare o rimuovere la cartuccia della batteria, mantenere saldamente l'aspiratore e la cartuccia della batteria. Qualora non si mantengano saldamente l'aspiratore e la cartuccia della batteria, questi ultimi potrebbero scivolare dalle mani, con la possibilità di causare un danneggiamento dell'aspiratore e della cartuccia della batteria, nonché lesioni personali.

ATTENZIONE: Fare attenzione a non far restare incastrate le dita durante l'apertura o la chiusura dello sportellino delle batterie. In caso contrario, si potrebbero causare lesioni personali.

Per installare la cartuccia della batteria, sbloccare innanzitutto la chiusura, quindi aprire lo sportellino delle batterie. Dopodiché, inserire la cartuccia della batteria.

► **Fig.1:** 1. Chiusura 2. Sportellino delle batterie

Allineare la linguetta sulla cartuccia della batteria con la scanalatura nell'alloggiamento, quindi far scivolare la batteria in sede. Inserirla completamente fino a quando si innesta in sede con un piccolo scatto. Quindi, bloccare lo sportellino delle batterie.

► **Fig.2:** 1. Cartuccia della batteria 2. Pulsante

Per rimuovere la cartuccia della batteria, farla scorrere via dall'utensile mentre si fa scorrere allo stesso tempo il pulsante sul lato anteriore della cartuccia.

ATTENZIONE: Installare sempre a fondo la cartuccia della batteria. In caso contrario, la batteria potrebbe cadere accidentalmente dall'aspiratore, causando lesioni personali all'operatore o a chi gli è vicino.

ATTENZIONE: Non installare forzatamente la cartuccia della batteria. Qualora la batteria non si inserisca scorrendo agevolmente, vuol dire che non viene inserita correttamente.

NOTA: L'aspiratore non funziona con una sola cartuccia della batteria.

Indicazione della carica residua della batteria

Premere il pulsante di controllo sulla cartuccia della batteria per indicare la carica residua della batteria. Gli indicatori luminosi si illuminano per alcuni secondi.

► **Fig.3:** 1. Indicatori luminosi 2. Pulsante di controllo

Indicatori luminosi			Carica residua
Illuminato	Spento	Lampeggiante	
■	□	◐	
■ ■ ■ ■			Dal 75% al 100%
■ ■ ■ □			Dal 50% al 75%
■ ■ □ □			Dal 25% al 50%
■ □ □ □			Dallo 0% al 25%
◐ □ □ □			Caricare la batteria.
■ ■ □ □	↑	↓	La batteria potrebbe essersi guastata.

NOTA: A seconda delle condizioni d'uso e della temperatura ambiente, l'indicazione potrebbe variare leggermente rispetto alla carica effettiva.

NOTA: Il primo indicatore luminoso (all'estremità sinistra) lampeggia quando il sistema di protezione della batteria è in funzione.

Indicatori delle batterie sul pannello di controllo

È possibile leggere la carica residua delle batterie sul pannello di controllo in qualsiasi momento. Premere il pulsante di controllo, e gli indicatori a sinistra e a destra indicano i livelli di carica delle batterie corrispondenti.

► **Fig.4:** 1. Indicatore della batteria sinistro
2. Indicatore della batteria destro 3. Pulsante di controllo

► **Fig.5**

Stato dell'indicatore della batteria			Carica residua della batteria
Acceso	Spento	Lampeggiante	
■	□	◐	
■ ■ ■ ■			Dal 50% al 100%
■ ■ ■ □			Dal 20% al 50%
■ □ □ □			Dallo 0% al 20%

Stato dell'indicatore della batteria			Carica residua della batteria
Acceso	Spento	Lampeggiante	
■	□	◐	
		◐	Caricare la batteria
		□	Batteria non inserita

NOTA: L'indicatore della batteria è operativo mentre sono installate due batterie.

NOTA: Gli indicatori delle batterie vengono attivati anche quando l'aspiratore inizia a funzionare.

Sistema di protezione dell'elettrodomestico e della batteria

L'elettrodomestico è dotato di un sistema di protezione dell'elettrodomestico stesso e della batteria. Questo sistema interrompe automaticamente l'alimentazione al motore per prolungare la vita utile dell'elettrodomestico e della batteria. L'elettrodomestico si arresta automaticamente durante il funzionamento, qualora l'elettrodomestico stesso o la batteria vengano a trovarsi in una delle condizioni seguenti:

Protezione dal sovraccarico

Quando l'elettrodomestico o la batteria vengono utilizzati in modo tale da causare un assorbimento di corrente elevato in modo anomalo, l'elettrodomestico si arresta automaticamente. In questa circostanza, spegnere l'elettrodomestico e interrompere l'applicazione che ha causato il sovraccarico dell'elettrodomestico. Quindi, accendere l'elettrodomestico per ricominciare.

Protezione dal surriscaldamento

■ Acceso	◐ Lampeggiante

Quando l'elettrodomestico è surriscaldato si arresta automaticamente, ed entrambi gli indicatori delle batterie sinistro e destro lampeggiano. In questa circostanza, lasciar raffreddare l'elettrodomestico e pulire i filtri, prima di riaccenderlo.

■ Acceso	◐ Lampeggiante

Quando la batteria è surriscaldata, l'elettrodomestico si arresta automaticamente, e uno degli indicatori di batteria surriscaldata lampeggia. In questa situazione, lasciar raffreddare la batteria prima di riaccendere l'elettrodomestico.

Protezione dalla sovrascarica

Quando la carica della batteria diventa bassa, l'elettrodomestico si arresta automaticamente. Qualora l'elettrodomestico non funzioni con l'operazione di commutazione, rimuovere le batterie dall'elettrodomestico e ricaricarle.

Protezione da altre cause

Il sistema di protezione è progettato anche per altre cause che potrebbero danneggiare l'elettrodomestico, e consente all'elettrodomestico di arrestarsi automaticamente. Adottare tutte le misure seguenti per rimuovere le cause, quando l'elettrodomestico è stato portato a un'interruzione temporanea o a un arresto del funzionamento.

1. Spegnerne l'elettrodomestico, quindi riaccenderlo per ricominciare.
2. Caricare la batteria o le batterie, o sostituirla/sostituirla con una batteria o delle batterie ricaricate.
3. Lasciar raffreddare l'elettrodomestico e la batteria o le batterie.

Qualora non si riscontrino alcun miglioramento ripristinando il sistema di protezione, contattare il proprio centro di assistenza locale Makita.

Funzionamento dell'interruttore

Accensione dell'aspiratore

1. Ruotare il commutatore di standby sulla posizione "I" (ACCESO) o sulla posizione "AUTO" (ACCESO) per far sì che l'aspiratore sia pronto in modalità standby.
2. Premere il pulsante di accensione. Per commutare di nuovo sulla modalità standby, premere di nuovo il pulsante di accensione.

Spegnimento dell'aspiratore

Effettuare una delle operazioni seguenti.

- Premere il pulsante di accensione per reimpostare l'aspiratore in modalità standby.
- Ruotare il commutatore di standby sulla posizione "O" (SPENTO).

Regolazione della potenza di aspirazione

È possibile regolare la forza di aspirazione a seconda delle esigenze del lavoro.

- Per ridurre la potenza di aspirazione, ruotare la manopola di regolazione della forza di aspirazione verso sinistra.
- Per aumentare la potenza di aspirazione, ruotare la manopola di regolazione della forza di aspirazione verso destra.

- **Fig.6:** 1. Commutatore di standby 2. Manopola di regolazione della forza di aspirazione 3. Pulsante di accensione

AVVISO: Impostare sempre il commutatore di standby sul lato "O" quando non si intende utilizzare l'aspiratore per un periodo di tempo prolungato. L'aspiratore consuma energia quando è nello stato di standby.

Arresto automatico dell'aspirazione durante il funzionamento con aspirazione a umido

AVVERTIMENTO: Non raccogliere schiuma o liquidi saponosi. In caso contrario, si potrebbe causare la fuoriuscita della schiuma dall'uscita dell'aria. Un utilizzo continuato in tali condizioni potrebbe causare scosse elettriche e la rottura dell'aspiratore.

L'aspiratore dispone di un meccanismo che impedisce la penetrazione di acqua nel motore quando si raccoglie una quantità d'acqua superiore a un determinato livello. Quando il serbatoio è pieno di liquido, l'aspiratore si arresta automaticamente. Spegnerne l'aspiratore e svuotare il serbatoio.

Sistema di pulizia dei filtri

Questo elettrodomestico dispone di un sistema di pulizia dei filtri. Durante l'uso dell'elettrodomestico, il sistema di pulizia dei filtri spolvera automaticamente i filtri, per evitare che la forza di aspirazione si abbassi a causa dell'intasamento dei filtri.

Qualora l'elettrodomestico aspiri una grande quantità di polveri allo stesso tempo, la forza di aspirazione potrebbe ridursi. In tal caso, si consiglia la pulizia manuale dei filtri.

1. Spegnerne l'elettrodomestico.
2. Impostare la potenza di aspirazione al massimo, quindi chiudere l'apertura del tubo flessibile di aspirazione con il palmo della mano.
3. Accendere l'elettrodomestico e farlo funzionare per circa 15 secondi con l'apertura del tubo flessibile di aspirazione chiusa.

► **Fig.7:** 1. Apertura del tubo flessibile di aspirazione

NOTA: Il volume dell'aria potrebbe cambiare mentre il sistema di pulizia dei filtri è attivato, ma questo non denota un guasto.

Scarico dell'acqua

Quando il serbatoio è pieno di liquido, spegnere l'aspiratore e aprire il tappo di scarico dell'acqua per svuotare il serbatoio.

► **Fig.8:** 1. Tappo di scarico dell'acqua

Blocco e sblocco delle rotelle girevoli

È possibile bloccare le rotelle girevoli anteriori con dei freni, come aiuto per tenere fermo l'aspiratore.

Per bloccare la rotella girevole abbassare la leva del freno con la mano, e per sbloccarla sollevare la leva del freno.

- **Fig.9:** 1. Rotella girevole 2. Leva del freno 3. Posizione di MOVIMENTO LIBERO 4. Posizione di BLOCCO

NOTA: Quando si intende spostare l'aspiratore, accertarsi che la rotella girevole sia sbloccata. Qualora si sposti l'aspiratore con la rotella girevole in una posizione bloccata, si potrebbe danneggiare la rotella girevole.

Maniglia da trasporto

⚠ATTENZIONE: Sollevare e trasportare l'elettrodomestico con cautela. La mancata osservanza di questa indicazione potrebbe causare lesioni personali o danni all'elettrodomestico.

Quando si intende trasportare l'aspiratore, trasportarlo afferrandolo per la maniglia sull'unità di testa. La maniglia è retrattile sull'unità di testa, quando non è in uso.
► Fig.10

Qualora risulti difficile trasportare l'elettrodomestico da soli, trasportarlo in due persone, come indicato nella figura.

► Fig.11
► Fig.12

MONTAGGIO

⚠ATTENZIONE: Prima di effettuare qualsiasi intervento sull'elettrodomestico, accertarsi sempre che sia spento e che le cartucce delle batterie siano state rimosse.

⚠ATTENZIONE: Indossare sempre una mascherina antipolvere durante il montaggio o la manutenzione.

Installazione e smaltimento del sacchetto filtro

Accessorio opzionale

⚠AVVERTIMENTO: Prima di utilizzare un sacchetto filtro, accertarsi che l'unità filtro venga utilizzata assieme. Il mancato utilizzo congiunto dell'unità filtro potrebbe causare rumore e calore anomali, e risultare in un incendio.

AVVISO: Non raccogliere mai acqua o altri liquidi né polveri bagnate quando si utilizza un sacchetto filtro. La raccolta di oggetti di questo genere potrebbe causare la rottura del sacchetto filtro.

1. Sbloccare i ganci di blocco e sollevare l'unità di testa rimuovendola dal serbatoio.
► Fig.13: 1. Gancio di blocco
2. Distendere un sacchetto filtro.
3. Allineare l'apertura del sacchetto filtro con l'entrata delle polveri del serbatoio.
4. Inserire il cartoncino del sacchetto filtro sull'utenziale in modo da posizionarlo all'estremità, oltrepassando la sporgenza di arresto.
► Fig.14: 1. Sacchetto filtro 2. Apertura in cartone 3. Supporto per il sacchetto filtro 4. Entrata

Quando si intende smaltire il sacchetto filtro, tirare il bordo sulla bocca del sacchetto filtro, in modo che la bocca venga chiusa dalla carta.

Installazione del sacchetto in polietilene

Disporre un sacchetto in polietilene sul serbatoio, quindi far scivolare un lato dell'orlo superiore del sacchetto, alla sua estremità aperta, tra la piastra del supporto e la parete anteriore del serbatoio.

Quindi, distendere gli altri bordi superiori del sacchetto verso l'esterno, sugli orli superiori del serbatoio. È possibile utilizzare il sacchetto in polietilene insieme al sacchetto filtro.

► Fig.15: 1. Piastra del supporto 2. Parete anteriore del serbatoio 3. Sacchetto in polietilene

NOTA: È possibile utilizzare un comune sacchetto in polietilene disponibile in commercio. Si consiglia uno spessore superiore a 0,04 mm e un perimetro superiore a 2.000 mm.

NOTA: Una quantità eccessiva di polveri strappa facilmente il sacchetto in polietilene, quindi non riempire eccessivamente il sacchetto. Lo smaltimento del sacchetto pesante potrebbe risultare faticoso per il corpo umano.

Svuotamento del serbatoio con il sacchetto in polietilene

⚠AVVERTIMENTO: Prima di svuotare il serbatoio, accertarsi sempre che l'aspiratore sia spento e che le cartucce delle batterie siano state rimosse. In caso contrario, si potrebbero causare scosse elettriche e gravi lesioni personali.

AVVISO: Svuotare il serbatoio almeno una volta al giorno, anche se la frequenza dipende dal volume delle polveri raccolte nel serbatoio. In caso contrario, la forza di aspirazione si riduce e il motore potrebbe rompersi.

AVVISO: Non afferrare i ganci di blocco quando si intende svuotare il serbatoio. Qualora si afferrino i ganci di blocco, si potrebbe causarne la rottura.

1. Sbloccare i ganci di blocco e sollevare l'unità di testa rimuovendola dal serbatoio.
2. Rimuovere il sacchetto in polietilene dal serbatoio, chiudendo l'apertura del sacchetto con la mano.
► Fig.16: 1. Sacchetto in polietilene 2. Serbatoio

NOTA: Estrarre il sacchetto in polietilene dal serbatoio con cautela, per evitare che venga graffiato e strappato dai bordi all'interno del serbatoio.

NOTA: Svuotare il sacchetto in polietilene prima che sia completamente pieno. Una quantità eccessiva di polveri nel serbatoio potrebbe causare lo strappo del sacchetto in polietilene.

Installazione del tubo flessibile

AVVISO: Non piegare mai forzatamente il tubo flessibile né calpestarlo. Non spostare mai l'aspiratore tirando il tubo flessibile. Qualora si forzi, si calpesti o si tiri il tubo flessibile, si potrebbe causarne la rottura o la deformazione.

AVVISO: Quando si intende raccogliere rifiuti di grandi dimensioni, ad esempio trucioli di piallatura, polveri di calcestruzzo o rifiuti simili che non siano di piccole dimensioni, utilizzare il tubo flessibile con diametro interno di 38 mm (accessorio opzionale). L'uso di un tubo flessibile con diametro interno di 28 mm (accessorio opzionale) potrebbe causare l'ostruzione e il danneggiamento del tubo flessibile.

Collegamento all'aspiratore

Inserire l'estremità del tubo flessibile nell'entrata delle polveri (apertura di entrata del tubo flessibile) dell'aspiratore, quindi ruotarla in senso orario fino a innestarla in sede.

► **Fig.17:** 1. Tubo flessibile 2. Entrata delle polveri (apertura di entrata del tubo flessibile)

Collegamenti con gli utensili da lavoro utilizzati (Specifici in base alla nazione)

Collegando l'aspirapolvere a utensili da lavoro disponibili di qualsiasi genere che siano compatibili con l'aspiratore, quest'ultimo funziona come estrattore delle polveri per gli utensili elettrici utilizzati.

Selezionare uno dei risvolti anteriori o dei giunti (accessori opzionali) più idonei per il modello di utensile utilizzato. Collocare il risvolto o il giunto, se necessario, tra l'estremità anteriore del tubo flessibile dell'aspiratore e un'apertura di estrazione delle polveri dell'utensile utilizzato.

► **Fig.18:** 1. Risvolto anteriore o giunto 2. Tubo flessibile dell'aspiratore 3. Utensile elettrico 4. Aspirapolvere

Installazione o rimozione dei componenti aggiuntivi dell'aspiratore

ATTENZIONE: Dopo aver installato un accessorio, verificare se sia installato saldamente. Qualora l'accessorio non sia installato perfettamente, potrebbe staccarsi e causare lesioni personali.

Quando si intende utilizzare un accessorio privo di funzione di blocco

Accessorio opzionale

Inserire un componente aggiuntivo nella presa di aspirazione dell'aspiratore, premendolo e avvitandolo a mano in sede.

Dopo l'uso, girare e tirare a mano il componente aggiuntivo per staccarlo dalla presa di aspirazione.

► **Fig.19**

Installazione di un MAKPAC

Accessorio opzionale

ATTENZIONE: Non stare in piedi né sedersi sul lato superiore dell'elettrodomestico. In caso contrario, si potrebbe cadere a causa dell'instabilità.

ATTENZIONE: Quando si intende installare un MAKPAC, fare attenzione all'operazione. In caso contrario, si potrebbero causare lesioni personali o danni all'elettrodomestico.

ATTENZIONE: Quando un MAKPAC è installato sull'elettrodomestico, non sollevare quest'ultimo con la maniglia del MAKPAC.

ATTENZIONE: Quando si intende spostare un elettrodomestico su cui sia installato un MAKPAC, non spingere il MAKPAC, ma il corpo dell'elettrodomestico. Qualora si spinga il MAKPAC, si potrebbero rompere i dispositivi di chiusura e far cadere il MAKPAC, il che potrebbe causare lesioni personali.

È possibile installare contenitori di stoccaggio collegabili e implantabili MAKPAC sul lato superiore dell'aspiratore. I contenitori sono disponibili in svariati formati e stili, per adattarli alle proprie preferenze.

1. Dispiegare i dispositivi di chiusura sul lato superiore dell'aspiratore.

► **Fig.20:** 1. Dispositivo di chiusura

2. Montare il contenitore MAKPAC sul lato superiore dell'aspiratore e fissarlo con i dispositivi di chiusura.

► **Fig.21:** 1. Dispositivo di chiusura 2. MAKPAC

L'altezza e il peso massimo di installazione dei MAKPAC sono pari a 315 mm e 20 kg, rispettivamente.

► **Fig.22**

FUNZIONE DI ATTIVAZIONE DELLA COMUNICAZIONE SENZA FILI

Accessorio opzionale

Cosa si può fare con la funzione di attivazione della comunicazione senza fili

La funzione di attivazione della comunicazione senza fili consente un funzionamento pulito e comodo.

Collegando un utensile supportato all'aspiratore, è possibile far funzionare automaticamente l'aspiratore insieme all'attivazione dell'interruttore dell'utensile.

► **Fig.23**

AVVISO: Quando si intende utilizzare l'aspiratore con la funzione di attivazione della comunicazione senza fili, accertarsi di fare riferimento al manuale d'uso dell'utensile.

AVVISO: Non smontare né manomettere l'unità senza fili.

AVVISO: Per evitare che le polveri penetrino nell'alloggiamento dell'unità senza fili, chiuderne sempre saldamente il coperchio durante il funzionamento o la conservazione.

AVVISO: Non premere con forza eccessiva il pulsante di attivazione della comunicazione senza fili, né premere il pulsante con un oggetto dal bordo affilato.

NOTA: L'attivazione della comunicazione senza fili necessita di utensili Makita dotati di unità senza fili.

NOTA: Prima dell'utilizzo iniziale della funzione di attivazione della comunicazione senza fili con ciascun utensile, è richiesta la registrazione dell'utensile. Una volta che la registrazione è stata completata con l'utensile, non è necessario eseguirla di nuovo, a meno che sia stata annullata.

NOTA: Prima della registrazione, accertarsi che l'unità senza fili sia inserita correttamente.

NOTA: Una singola unità senza fili può registrare fino a 10 collegamenti con altre unità senza fili. Qualora su una singola unità senza fili vengano registrate più di 10 ulteriori unità senza fili, quella registrata per prima viene annullata automaticamente.

NOTA: La posizione del pulsante di attivazione della comunicazione senza fili varia a seconda dell'utensile.

NOTA: L'aspiratore si avvia anche premendo il pulsante di accensione quando il commutatore di standby è impostato su "AUTO".

Tuttavia, il pulsante di accensione non è operativo, quando si utilizza la funzione di attivazione della comunicazione senza fili.

Installazione dell'unità senza fili

AVVERTIMENTO: Quando si installa l'unità senza fili, aprire il coperchio solo la prima volta. Non aprire mai il coperchio dopo l'installazione dell'unità senza fili.

ATTENZIONE: Posizionare l'aspiratore su una superficie piana e stabile, quando si intende installare l'unità senza fili.

AVVISO: Pulire le polveri e lo sporco sull'aspiratore, prima di installare l'unità senza fili. Polveri o sporco potrebbero causare un malfunzionamento, qualora penetrino nell'alloggiamento dell'unità senza fili.

AVVISO: Per evitare il malfunzionamento causato dall'elettricità statica, toccare un materiale che consenta di scaricarla, ad esempio una parte metallica, prima di prendere in mano l'unità senza fili.

AVVISO: Quando si installa l'unità senza fili, accertarsi sempre che quest'ultima sia inserita nella direzione corretta e che il coperchio sia completamente chiuso.

1. Allentare le vite per aprire il coperchio sull'aspiratore, come indicato nella figura.

► Fig.24: 1. Coperchio 2. Vite

2. Inserire l'unità senza fili nell'alloggiamento.

Quando si inserisce l'unità senza fili, allineare le sporgenze con le rientranze presenti nell'alloggiamento.

► Fig.25: 1. Unità senza fili 2. Sporgenza
3. Coperchio 4. Rientranza

3. Serrare completamente le vite per chiudere il coperchio.

Registrazione dell'utensile per l'aspiratore

NOTA: Per la registrazione dell'utensile, è richiesto un utensile Makita che supporti la funzione di attivazione della comunicazione senza fili.

NOTA: Completare l'installazione dell'unità senza fili nello strumento prima di avviare la registrazione dell'utensile.

NOTA: Durante la registrazione dell'utensile, non premere l'interruttore a grilletto sull'utensile né attivare l'interruttore di accensione sull'aspiratore.

NOTA: Fare riferimento anche al manuale d'uso dell'utensile.

Se si desidera attivare l'aspiratore insieme all'attivazione dell'interruttore dell'utensile, completare anticipatamente la registrazione dell'utensile.

1. Installare le unità senza fili nell'aspiratore e nell'utensile, rispettivamente.

2. Installare le batterie nell'aspiratore e nell'utensile.

3. Impostare il commutatore di standby sull'aspiratore su "AUTO".

► Fig.26: 1. Commutatore di standby

4. Premere il pulsante di attivazione della comunicazione senza fili sull'aspiratore per 3 secondi, fino a quando l'indicatore luminoso di attivazione della comunicazione senza fili lampeggia in verde. Quindi, premere il pulsante di attivazione della comunicazione senza fili sull'utensile in modo analogo.

► Fig.27: 1. Pulsante di attivazione della comunicazione senza fili 2. Indicatore luminoso di attivazione della comunicazione senza fili

Se l'aspiratore e l'utensile sono collegati con esito positivo, gli indicatori luminosi di attivazione della

comunicazione senza fili si illuminano in verde per 2 secondi, quindi iniziano a lampeggiare in blu.

NOTA: Gli indicatori luminosi di attivazione della comunicazione senza fili smettono di lampeggiare in verde dopo 20 secondi. Premere il pulsante di attivazione della comunicazione senza fili sull'utensile mentre l'indicatore luminoso di attivazione della comunicazione senza fili sull'aspiratore sta lampeggiando. Qualora l'indicatore luminoso di attivazione della comunicazione senza fili non lampeggi in verde, premere brevemente e tenere premuto di nuovo il pulsante di attivazione della comunicazione senza fili.

NOTA: Quando si intende effettuare la registrazione di due o più utensili per l'aspiratore, completare la registrazione degli utensili uno alla volta.

Avvio della funzione di attivazione della comunicazione senza fili

NOTA: Per l'attivazione della comunicazione senza fili, completare la registrazione dell'utensile per l'aspiratore.

NOTA: Posizionare sempre l'aspiratore in modo da poter vedere lo stato dell'indicatore luminoso di attivazione della comunicazione senza fili.

NOTA: Fare riferimento anche al manuale d'uso dell'utensile.

Dopo aver registrato un utensile sull'aspiratore, quest'ultimo entra in funzione automaticamente insieme all'attivazione dell'interruttore dell'utensile.

1. Installare le unità senza fili nell'aspiratore e nell'utensile, rispettivamente.

2. Installare le batterie nell'aspiratore e nell'utensile.

3. Collegare il tubo flessibile dell'aspiratore all'utensile.

► Fig.28

4. Impostare il commutatore di standby sull'aspiratore su "AUTO".

► Fig.29: 1. Commutatore di standby

5. Premere brevemente il pulsante di attivazione della comunicazione senza fili sull'utensile. L'indicatore luminoso di attivazione della comunicazione senza fili lampeggia in blu.

► Fig.30: 1. Pulsante di attivazione della comunicazione senza fili 2. Indicatore luminoso di attivazione della comunicazione senza fili

6. Accendere l'utensile. Verificare se l'aspiratore sia in funzione quando l'utensile sta funzionando.

⚠ATTENZIONE: Prima di iniziare un lavoro con l'utensile, controllare sempre se la funzione di attivazione della comunicazione senza fili sia operativa.

Per arrestare l'attivazione della comunicazione senza fili, premere il pulsante di attivazione della comunicazione senza fili sull'utensile, oppure impostare il commutatore di standby sull'aspiratore sulla posizione "I" oppure "O".

NOTA: L'indicatore luminoso di attivazione della comunicazione senza fili sull'utensile smette di lampeggiare in blu quando non viene effettuata alcuna operazione per 2 ore. In questo caso, impostare il commutatore di standby sull'aspiratore su "AUTO" e premere di nuovo il pulsante di attivazione della comunicazione senza fili sull'utensile.

NOTA: L'aspiratore si avvia o si arresta con un ritardo. Si verifica un ritardo temporale quando l'aspiratore rileva l'utilizzo dell'interruttore sull'utensile.

NOTA: La distanza di trasmissione dell'unità senza fili può variare a seconda dell'ubicazione e della situazione circostante.

NOTA: Quando due o più utensili sono registrati su un unico aspiratore, quest'ultimo potrebbe iniziare a funzionare anche se non si accende l'utensile, a causa di un altro utente che sta utilizzando la funzione di attivazione della comunicazione senza fili.

Annullamento della registrazione dell'utensile per l'aspiratore

Quando si intende annullare la registrazione dell'utensile per l'aspiratore, attenersi alla procedura seguente.

1. Installare le unità senza fili nell'aspiratore e nell'utensile, rispettivamente.

2. Installare le batterie nell'aspiratore e nell'utensile.

3. Impostare il commutatore di standby sull'aspiratore su "AUTO".

► Fig.31: 1. Commutatore di standby

4. Premere il pulsante di attivazione della comunicazione senza fili sull'aspiratore per 6 secondi.

L'indicatore luminoso di attivazione della comunicazione senza fili lampeggia in verde, quindi diventa rosso. Dopodiché, premere il pulsante di attivazione della comunicazione senza fili sull'utensile in modo analogo.

► Fig.32: 1. Pulsante di attivazione della comunicazione senza fili 2. Indicatore luminoso di attivazione della comunicazione senza fili

Se l'annullamento è stato eseguito con esito positivo, gli indicatori luminosi di attivazione della comunicazione senza fili si illuminano in rosso per 2 secondi, quindi iniziano a lampeggiare in blu.

NOTA: Gli indicatori luminosi di attivazione della comunicazione senza fili smettono di lampeggiare in rosso dopo 20 secondi. Premere il pulsante di attivazione della comunicazione senza fili sull'utensile mentre l'indicatore luminoso di attivazione della comunicazione senza fili sull'aspiratore sta lampeggiando. Qualora l'indicatore luminoso di attivazione della comunicazione senza fili non lampeggi in rosso, premere brevemente e tenere premuto di nuovo il pulsante di attivazione della comunicazione senza fili.

Cancellazione di tutte le registrazioni degli utensili

È possibile cancellare tutte le registrazioni degli utensili dall'aspiratore nel modo seguente.

► Fig.33: 1. Commutatore di standby 2. Pulsante di

attivazione della comunicazione senza fili
3. Indicatore luminoso di attivazione della comunicazione senza fili

1. Installare l'unità senza fili sull'aspiratore.
2. Installare le batterie nell'aspiratore.
3. Impostare il commutatore di standby su "AUTO".
4. Tenere premuto il pulsante di attivazione della comunicazione senza fili per circa 6 secondi, fino a quando l'indicatore luminoso di attivazione della comunicazione senza fili lampeggia in rosso (circa due volte al secondo).
5. Quando l'indicatore luminoso di attivazione della comunicazione senza fili inizia a lampeggiare in rosso, rilasciare il dito dal pulsante di attivazione della

comunicazione senza fili. Quindi, tenere premuto di nuovo il pulsante di attivazione della comunicazione senza fili per circa 6 secondi.











6. Quando l'indicatore luminoso di attivazione della comunicazione senza fili inizia a lampeggiare rapidamente (circa 5 volte al secondo) in rosso, rilasciare il dito dal pulsante di attivazione della comunicazione senza fili. Quando l'indicatore luminoso di attivazione della comunicazione senza fili si illumina in rosso e successivamente si spegne, tutte le registrazioni degli utensili sono state cancellate.

NOTA: Qualora l'indicatore luminoso di attivazione della comunicazione senza fili non lampeggi in rosso, premere brevemente di nuovo il pulsante di attivazione della comunicazione senza fili e riprovare.

Descrizione dello stato dell'indicatore luminoso di attivazione della comunicazione senza fili

► **Fig.34:** 1. Pulsante di attivazione della comunicazione senza fili 2. Indicatore luminoso di attivazione della comunicazione senza fili

L'indicatore luminoso di attivazione della comunicazione senza fili mostra lo stato della funzione di attivazione della comunicazione senza fili. Per informazioni sul significato dello stato dell'indicatore luminoso, fare riferimento alla tabella seguente.

Stato	Indicatore luminoso di attivazione della comunicazione senza fili			Descrizione
	Colore	 Accesso	 Lampeggiante	
Standby	Blu		Aspiratore: continua Utensile: 2 ore	In attesa di registrazione dell'utensile, oppure la funzione di attivazione della comunicazione senza fili è disponibile. L'indicatore luminoso sull'aspiratore lampeggia quando il commutatore di standby è impostato su AUTO. L'indicatore luminoso sull'utensile lampeggia quando viene premuto il pulsante di attivazione della comunicazione senza fili. L'indicatore luminoso sull'utensile si spegne automaticamente quando non viene eseguita alcuna operazione per 2 ore.
			Quando l'utensile è in funzione.	È disponibile l'attivazione della funzione di comunicazione senza fili dell'aspiratore e l'utensile è in funzione.
Registrazione dell'utensile	Verde		20 secondi	Pronto alla registrazione dell'utensile. Ricerca dell'utensile da registrare in corso.
			2 secondi	La registrazione dell'utensile è stata completata. L'indicatore luminoso di attivazione della comunicazione senza fili inizia a lampeggiare in blu.
Annullamento/cancellazione della registrazione dell'utensile in corso	Rosso	 (lento: 2 volte al sec.)	20 secondi	Pronto alla cancellazione della registrazione dell'utensile. Ricerca dell'utensile da annullare in corso.
		 (veloce: 5 volte al sec.)	Quando viene tenuto premuto il pulsante di attivazione della comunicazione senza fili.	Pronto a cancellare tutte le registrazioni degli utensili.
			2 secondi	La registrazione dell'utensile è stata annullata/cancellata. L'indicatore luminoso di attivazione della comunicazione senza fili inizia a lampeggiare in blu.
Altro	Rosso		3 secondi	L'alimentazione è fornita all'unità senza fili e la funzione di attivazione della comunicazione senza fili si sta avviando.
	Spento	-	-	Il commutatore di standby non è impostato su "AUTO".

Risoluzione dei problemi per la funzione di attivazione della comunicazione senza fili

Prima di richiedere riparazioni, eseguire un'ispezione personalmente. Qualora si rilevi un problema che non è illustrato nel manuale, non tentare di smontare l'utensile. Rivolgersi, invece, a un centro di assistenza autorizzato Makita, utilizzando sempre pezzi di ricambio Makita per le riparazioni.

Stato di anomalia	Causa probabile (guasto)	Azione correttiva
L'indicatore luminoso di attivazione della comunicazione senza fili non si illumina o non lampeggia.	L'unità senza fili non è installata nell'aspiratore e/o nell'utensile. L'unità senza fili è installata in modo errato nell'aspiratore e/o nell'utensile.	Installare l'unità senza fili correttamente.
	Il pulsante di attivazione della comunicazione senza fili sull'utensile non è stato premuto.	Premere brevemente il pulsante di attivazione della comunicazione senza fili sull'utensile.
	Il commutatore di standby sull'aspiratore non è impostato su "AUTO".	Impostare il commutatore di standby sull'aspiratore su "AUTO".
	Alimentazione assente	Fornire l'alimentazione all'utensile e all'aspiratore.
Impossibile completare con esito positivo la registrazione dell'utensile o l'annullamento della registrazione dell'utensile.	L'unità senza fili non è installata nell'aspiratore e/o nell'utensile. L'unità senza fili è installata in modo errato nell'aspiratore e/o nell'utensile.	Installare l'unità senza fili correttamente.
	Il commutatore di standby sull'aspiratore non è impostato su "AUTO".	Impostare il commutatore di standby sull'aspiratore su "AUTO".
	Alimentazione assente	Fornire l'alimentazione all'utensile e all'aspiratore.
	Funzionamento errato	Premere brevemente il pulsante di attivazione della comunicazione senza fili ed eseguire di nuovo le procedure di registrazione o di annullamento dell'utensile.
	L'utensile e l'aspiratore sono lontani l'uno dall'altro (fuori dalla portata di trasmissione).	Avvicinare l'utensile e l'aspiratore tra di loro. La distanza massima di trasmissione è di circa 10 m, ma può variare in base alle circostanze.
	Prima di completare la registrazione o l'annullamento dell'utensile: - l'interruttore dell'utensile è attivato, oppure; - il pulsante di accensione sull'aspiratore è attivato.	Premere brevemente il pulsante di attivazione della comunicazione senza fili ed eseguire di nuovo le procedure di registrazione o di annullamento dell'utensile.
	Le procedure di registrazione per l'utensile o per l'aspiratore non sono state completate.	Eseguire le procedure di registrazione dell'utensile sia per l'utensile che per l'aspiratore allo stesso tempo.
Sono presenti disturbi radio dovuti ad altri apparecchi che generano onde radio ad alta intensità.	Tenere l'utensile e l'aspiratore lontani da apparecchi quali dispositivi Wi-Fi e forni a microonde.	

Stato di anomalia	Causa probabile (guasto)	Azione correttiva
L'aspiratore non entra in funzione insieme all'attivazione dell'interruttore dell'utensile.	L'unità senza fili non è installata nell'aspiratore e/o nell'utensile. L'unità senza fili è installata in modo errato nell'aspiratore e/o nell'utensile.	Installare l'unità senza fili correttamente.
	Il pulsante di attivazione della comunicazione senza fili sull'utensile non è stato premuto.	Premere brevemente il pulsante di attivazione della comunicazione senza fili e accertarsi che l'indicatore luminoso di attivazione della comunicazione senza fili stia lampeggiando in blu.
	Il commutatore di standby sull'aspiratore non è impostato su "AUTO".	Impostare il commutatore di standby sull'aspiratore su "AUTO".
	Sull'aspiratore sono registrati più di 10 utensili.	Effettuare di nuovo la registrazione dell'utensile. Qualora sull'aspiratore siano registrati più di 10 utensili, l'utensile registrato per primo viene annullato automaticamente.
	L'aspiratore ha cancellato tutte le registrazioni degli utensili.	Effettuare di nuovo la registrazione dell'utensile.
	Alimentazione assente	Fornire l'alimentazione all'utensile e all'aspiratore.
	L'utensile e l'aspiratore sono lontani l'uno dall'altro (fuori dalla portata di trasmissione).	Avvicinare l'utensile e l'aspiratore tra di loro. La distanza massima di trasmissione è di circa 10 m, ma può variare in base alle circostanze.
	Sono presenti disturbi radio dovuti ad altri apparecchi che generano onde radio ad alta intensità.	Tenere l'utensile e l'aspiratore lontani da apparecchi quali dispositivi Wi-Fi e forni a microonde.
L'aspiratore è in funzione mentre l'utensile non sta funzionando.	Altri utenti stanno utilizzando l'attivazione della comunicazione senza fili dell'aspiratore con i loro utensili.	Disattivare il pulsante di attivazione della comunicazione senza fili degli altri utensili oppure annullare la registrazione degli altri utensili.
Non è possibile cancellare tutte le registrazioni degli utensili nell'aspiratore.	Pressione del pulsante della comunicazione senza fili sull'utensile.	Premere il pulsante della comunicazione senza fili sull'aspiratore per cancellare tutte le registrazioni degli utensili.
	Il commutatore di standby sull'aspiratore non è impostato su "AUTO".	Impostare il commutatore di standby sull'aspiratore su "AUTO".
	Non si sta tenendo premuto correttamente il pulsante di attivazione della comunicazione senza fili.	Tenere premuto il pulsante di attivazione della comunicazione senza fili per più di 6 secondi, quindi rilasciarlo quando l'indicatore luminoso di attivazione della comunicazione senza fili lampeggia in rosso. Tenere premuto di nuovo il pulsante di attivazione della comunicazione senza fili per più di 6 secondi, fino a quando il pulsante di attivazione della comunicazione senza fili lampeggia rapidamente in rosso, quindi rilasciare il pulsante.

MANUTENZIONE

⚠ATTENZIONE: Prima di tentare di eseguire interventi di ispezione o manutenzione, accertarsi sempre che l'elettrodomestico sia spento e che le cartucce delle batterie siano state rimosse.

AVVISO: Non utilizzare mai benzina, benzene, solventi, alcol o altre sostanze simili. In caso contrario, si potrebbero causare scolorimenti, deformazioni o crepe.

Per preservare la SICUREZZA e l'AFFIDABILITÀ del prodotto, le riparazioni e qualsiasi altro intervento di manutenzione e di regolazione devono essere eseguiti da un centro di assistenza autorizzato Makita, utilizzando sempre ricambi Makita.

Rimozione dell'unità filtro

⚠ATTENZIONE: Attendere circa 5 minuti affinché le polveri nel serbatoio si siano depositate completamente.

⚠ATTENZIONE: Fare attenzione a non lasciare penetrare le polveri all'interno del coperchio del serbatoio quando si rimuove l'unità filtro.

L'unità filtro è agganciata all'unità di testa. Si compone di una piastra superiore, prefiltri, filtri in spugna e filtri antipolveri.

1. Sbloccare i ganci di blocco e sollevare l'unità di testa rimuovendola dal serbatoio.
2. Rimuovere l'unità filtro dall'unità di testa, come indicato nella figura.

► **Fig.35:** 1. Dispositivo di chiusura 2. Unità filtro

Rimozione del filtro antipolveri e del prefiltro

Solleverare la manopola e rimuovere i filtri dalla piastra superiore.

► **Fig.36:** 1. Piastra superiore 2. Filtri 3. Manopola

Per evitare che le polveri fluttuino in aria, è preferibile rimuovere i filtri all'interno del sacchetto in polietilene. Quando si trasporta l'unità filtro per pulirla, legare saldamente il sacchetto in polietilene.

► **Fig.37:** 1. Unità filtro 2. Sacchetto in polietilene

► **Fig.38:** 1. Piastra superiore 2. Filtri 3. Sacchetto in polietilene

Pulizia del filtro antipolveri, del prefiltro e del filtro in spugna

Pulire i filtri e il filtro in spugna di tanto in tanto. Filtri e filtro in spugna intasati potrebbero causare prestazioni di aspirazione scadenti.

Pulire regolarmente le polveri accumulate sui filtri e sul filtro in spugna.

Ogni tanto, lavare il filtro antipolveri, il prefiltro e il filtro in spugna in acqua, risciacquarli e farli asciugare completamente all'ombra prima dell'uso. Non lavarli mai in lavatrice.

► **Fig.39**

NOTA: Non strofinare né graffiare il filtro antipolveri, il prefiltro o il filtro in spugna con oggetti duri, quali spazzole o spatole.

NOTA: I filtri si usurano con il passare del tempo. Si consiglia di avere a disposizione dei ricambi per i filtri.

Installazione del filtro antipolveri e del prefiltro

AVVISO: Il filtro antipolveri e il prefiltro consentono di raccogliere sia polveri che polveri bagnate. Accertarsi che i sensori del livello dell'acqua si attivino correttamente per evitare la rottura del filtro antipolveri.

Agganciare i bordi dell'unità filtro alla piastra superiore, quindi abbassare la manopola.

► **Fig.40:** 1. Bordo 2. Manopola

AVVISO: Prima di utilizzare il filtro antipolveri, accertarsi che il prefiltro e il filtro in spugna siano sempre utilizzati assieme. Non è consentito installare il filtro antipolveri da solo.

Assemblaggio dei filtri

Quando i filtri vengono ottenuti separatamente, assemblarli come indicato nella figura.

► **Fig.41:** 1. Filtro antipolveri 2. Filtro in spugna 3. Prefiltro

Installazione dell'unità filtro

Dopo aver installato i filtri sulla piastra superiore, agganciare i fori dell'unità filtro sulle parti a forma di U

del coperchio interno. Quindi, bloccare i dispositivi di chiusura come indicato nella figura.

► **Fig.42:** 1. Parte a forma di U 2. Foro 3. Dispositivo di chiusura

Installazione del filtro dell'acqua

Accessorio opzionale

AVVISO: Per raccogliere polveri bagnate, accertarsi che i sensori del livello dell'acqua si attivino correttamente.

AVVISO: Non utilizzare il prefiltro e il filtro in spugna quando si utilizza il filtro dell'acqua.

Per raccogliere solo acqua o polveri bagnate, il filtro dell'acqua è più adatto del filtro antipolveri e del prefiltro.

Quando si intende installare il filtro dell'acqua, inserirlo sulla piastra superiore allo stesso modo del filtro antipolveri e del prefiltro.

► **Fig.43**

NOTA: Si consiglia l'utilizzo del filtro dell'acqua quando si intende raccogliere ripetutamente grandi quantitativi di acqua. In caso contrario, con il filtro antipolveri e il prefiltro, la capacità di aspirazione potrebbe venire ridotta.

Pulizia dei sensori del livello dell'acqua

I sensori del livello dell'acqua rilevano i liquidi quando il serbatoio si riempie di liquidi. Pulire di tanto in tanto i sensori del livello dell'acqua con un panno morbido, quando si sostituiscono i filtri.

► **Fig.44:** 1. Sensore del livello dell'acqua

Conservazione degli accessori

È possibile riporre gli accessori e i componenti aggiuntivi non utilizzati, quali bocchette e tubi, appendendoli al gancio sul retro dell'aspiratore.

► **Fig.45:** 1. Accessorio e componente aggiuntivo non in uso

È possibile posizionare i tubi (con un fermo opzionale installato) nell'apposito supporto, quando non si intende utilizzare l'aspiratore per un breve periodo di tempo.

► **Fig.46:** 1. Fermo (accessorio opzionale) 2. Fermatubo

È possibile avvolgere e riporre un tubo flessibile in grandi anelli intorno all'alloggiamento o alla maniglia dell'aspiratore. Collegare assieme entrambe le estremità del tubo flessibile per creare degli anelli, quindi agganciare gli anelli sulla maniglia sollevata. In alternativa, mantenere l'estremità di base del tubo flessibile installata nell'entrata per il tubo flessibile, e appendere gli anelli sul gancio multiplo con l'estremità libera legata.

► **Fig.47**

► **Fig.48**

ACCESSORI OPZIONALI

⚠ATTENZIONE: Questi accessori o componenti aggiuntivi sono consigliati per l'uso con l'utensile Makita specificato nel presente manuale.

L'impiego di altri accessori o componenti aggiuntivi può costituire un rischio di lesioni alle persone.

Utilizzare gli accessori o i componenti aggiuntivi solo per il loro scopo prefissato.

Per ottenere ulteriori dettagli relativamente a questi accessori, rivolgersi a un centro di assistenza Makita.

- Tubo flessibile
- Risvolto anteriore (22, 24, 38)
- Tubo diritto
- Bocchetta per angoli
- Spazzola rotonda
- Filtro antipolveri M, H (HEPA)
- Filtro in spugna
- Prefiltro
- Filtro dell'acqua
- Gruppo bocchetta
- Tubo piegato
- Sacchetto in polietilene
- Sacchetto filtro
- Batteria e caricabatterie originali Makita
- Unità senza fili
- MAKPAC

NOTA: Alcuni articoli nell'elenco potrebbero essere inclusi nell'imballaggio dell'utensile come accessori standard. Tali articoli potrebbero variare da nazione a nazione.

WAARSCHUWING

- Dit apparaat is niet bedoeld voor gebruik door personen, waaronder kinderen, met een verminderd lichamelijk, zintuiglijk of geestelijk vermogen, of gebrek aan kennis en ervaring.
- Kinderen dienen onder toezicht te staan om ervoor te zorgen dat zij niet met de stofzuiger spelen.
- Zie het hoofdstuk "TECHNISCHE GEGEVENS" voor de typeaanduiding van de accu.
- Zie het hoofdstuk "De accu aanbrengen en verwijderen" voor hoe u de accu kunt aanbrengen en verwijderen.
- Wanneer u de accu wilt weggooien, verwijdert u de accu vanaf het gereedschap en gooit u hem op een veilige manier weg. Volg bij het weggooien van de accu de plaatselijke voorschriften.
- Als u het gereedschap gedurende een lange tijd niet denkt te gaan gebruiken, moet de accu vanaf het gereedschap worden verwijderd.
- Voorkom kortsluiting van de accu.
- Zie het hoofdstuk "ONDERHOUD" voor de benodigde informatie over de voorzorgsmaatregelen tijdens onderhoud door de gebruiker.

TECHNISCHE GEGEVENS

Model:		VC007GL
Maximaal luchtvolume aan het uiteinde van de slang	Met slang BL4050F, ø28 mm x 3,5 m	2,0 m ³ /min
	Met slang BL4050F, ø38 mm x 2,5 m	3,7 m ³ /min
Maximaal luchtvolume bij turbine (met BL4050F)		4,9 m ³ /min
Vacuüm (met BL4050F)		18 kPa
Opneembare inhoud	Stof	40 L
	Water	30 L
Afmetingen (l x b x h)		586 mm x 385 mm x 598 mm
Nominale spanning		D.C. 72 V - 80 V max
Nettogewicht		18,3 - 20,7 kg
Beschermingsklasse		IPX4

- In verband met ononderbroken research en ontwikkeling, behouden wij ons het recht voor de bovenstaande technische gegevens zonder voorafgaande kennisgeving te wijzigen.
- De technische gegevens kunnen van land tot land verschillen.
- Het gewicht is exclusief bijgeleverde accessoires, maar inclusief de accu('s). Het laagste en hoogste gecombineerde gewicht van het apparaat en de accu('s) wordt vermeld in de tabel.

Toepasselijke accu's en laders

Accu	BL4020 / BL4025 / BL4040* / BL4050F* / BL4080F* * : Aanbevolen accu
Lader	DC40RA / DC40RB / DC40RC / DC40WA / BCC01 / BCC02

- Sommige van de hierboven vermelde accu's en laders zijn mogelijk niet leverbaar afhankelijk van waar u woont.

WAARSCHUWING: Gebruik uitsluitend de accu's en laders die hierboven worden genoemd. Gebruik van enige andere accu of lader kan leiden tot letsel en/of brand.

Symbolen

Hieronder staan de symbolen die voor het gereedschap kunnen worden gebruikt. Zorg ervoor dat u de betekenis ervan kent voordat u het gereedschap gaat gebruiken.



Lees de gebruiksaanwijzing.



Wees vooral voorzichtig en let goed op.



Waarschuwing: De stofzuiger kan schadelijk stof bevatten.



Ga nooit op de stofzuiger staan.



Plaats nooit een voorwerp zwaarder dan 20 kg (44 lbs) op de stofzuiger.



Stofklasse L (licht). De stofzuigers zijn in staat om stofklasse L op te zuigen. Houd u aan de nationale regelgeving met betrekking tot stof en veiligheid en gezondheid op de werkplek.



Alleen voor EU-landen
Als gevolg van de aanwezigheid van schadelijke componenten in het apparaat, kunnen oude elektrische en elektronische apparaten, accu's en batterijen negatieve gevolgen hebben voor het milieu en de gezondheid van mensen.
Gooi elektrische en elektronische apparaten en accu's niet met het huisvuil weg! In overeenstemming met de Europese richtlijn inzake oude elektrische en elektronische apparaten en inzake accu's en batterijen en oude accu's en batterijen, alsmede de toepassing daarvan binnen de nationale wetgeving, dienen oude elektrische apparaten, accu's en batterijen gescheiden te worden opgeslagen en te worden ingeleverd bij een apart inzamelingspunt voor huishoudelijk afval dat de milieubeschermingsvoorschriften in acht neemt.
Dit wordt op het apparaat aangegeven door het symbool van een doorgekruiste afvalcontainer.

Gebruiksdoeleinden

Het apparaat is bedoeld om zowel droog als nat stof te verzamelen. Het apparaat is geschikt voor commercieel gebruik, bijvoorbeeld in hotels, scholen, ziekenhuizen, fabrieken, winkels, kantoren en verhuurbedrijven.

Geluidsniveau

De typische, A-gewogen geluidsniveaus zijn gemeten volgens EN60335-2-69:
Geluidsdrukniveau (L_{pA}): 70 dB (A) of lager
Onzekerheid (K): 2,5 dB (A)

Het geluidsniveau kan tijdens gebruik hoger worden dan 80 dB (A).

OPMERKING: De opgegeven geluidsemissiewaarde(n) is/zijn gemeten volgens een standaardtestmethode en kan/kunnen worden gebruikt om dit gereedschap te vergelijken met andere gereedschappen.

OPMERKING: De opgegeven geluidsemissiewaarde(n) kan/kunnen ook worden gebruikt voor een beoordeling vooraf van de blootstelling.

⚠WAARSCHUWING: Draag gehoorbescherming.

⚠WAARSCHUWING: De geluidsemissie tijdens het gebruik van het elektrisch gereedschap in de praktijk kan verschillen van de opgegeven waarde(n) afhankelijk van de manier waarop het gereedschap wordt gebruikt, met name van het soort werkstuk waarmee wordt gewerkt.

⚠WAARSCHUWING: Zorg ervoor dat veiligheidsmaatregelen worden getroffen ter bescherming van de gebruiker die zijn gebaseerd op een schatting van de blootstelling onder praktijkomstandigheden (rekening houdend met alle fasen van de bedrijfscyclus, zoals de tijdsduur gedurende welke het gereedschap is uitgeschakeld en stationair draait, naast de ingeschakelde tijdsduur).

Trilling

De totale trillingswaarde (triaxiale vectorsom) zoals vastgesteld volgens EN60335-2-69:
Trillingsemissie ($a_{h,M}$): 2,5 m/s² of lager
Onzekerheid (K): 1,5 m/s²

OPMERKING: De totale trillingswaarde(n) is/zijn gemeten volgens een standaardtestmethode en kan/kunnen worden gebruikt om dit gereedschap te vergelijken met andere gereedschappen.

OPMERKING: De opgegeven totale trillingswaarde(n) kan/kunnen ook worden gebruikt voor een beoordeling vooraf van de blootstelling.

⚠WAARSCHUWING: De trillingsemissie tijdens het gebruik van het elektrisch gereedschap in de praktijk kan verschillen van de opgegeven waarde(n) afhankelijk van de manier waarop het gereedschap wordt gebruikt, met name van het soort werkstuk waarmee wordt gewerkt.

⚠WAARSCHUWING: Zorg ervoor dat veiligheidsmaatregelen worden getroffen ter bescherming van de gebruiker die zijn gebaseerd op een schatting van de blootstelling onder praktijkomstandigheden (rekening houdend met alle fasen van de bedrijfscyclus, zoals de tijdsduur gedurende welke het gereedschap is uitgeschakeld en stationair draait, naast de ingeschakelde tijdsduur).

Verklaringen van conformiteit

Alleen voor Europese landen

De verklaringen van conformiteit zijn bijgevoegd in Bijlage A bij deze gebruiksaanwijzing.

VEILIGHEIDSWAAR- SCHUWINGEN

Veiligheidswaarschuwingen voor een accustofzuiger

⚠ WAARSCHUWING: BELANGRIJK! LEES VÓÓR GEBRUIK alle veiligheidswaarschuwingen en alle instructies **ZORGVULDIG DOOR**. Het niet volgen van de waarschuwingen en instructies kan leiden tot elektrische schokken, brand en/of ernstig letsel.

1. **Bedenk vóór gebruik dat deze stofzuiger moet worden gebruikt door mensen die goed zijn geïnstrueerd in het gebruik van deze stofzuiger.**
2. **Vóór gebruik moeten gebruikers informatie, instructie en training krijgen over het gebruik van het apparaat en de materialen waarvoor het moet worden gebruikt, inclusief de veilige werkwijze voor het verwijderen en weggooiën van het verzamelde materiaal.**
3. **Als er schuim of vloeistof uit komt, schakelt u hem onmiddellijk uit.**
4. **Maak de waterpeilbegrenzer regelmatig schoon en inspecteer hem op tekenen van beschadiging.**
5. **Verzeker u er vóór gebruik altijd van dat de filters correct zijn aangebracht. Gebruik de stofzuiger niet zonder dat de filters zijn aangebracht. Vervang een beschadigd filter onmiddellijk. Wij adviseren u enkele filters op voorraad te houden aangezien dit verbruiksartikelen zijn.**
6. **VOORKOM ONBEDOELD STARTEN.** Verzeker u ervan dat de schakelaar in de uit-stand staat voordat u de accu('s) aanbrengt.
7. **Probeer niet brandbare materialen, vuurwerk, brandende sigaretten, hete as, hete metaaldeeltjes en scherpe materialen, zoals scheermesjes, naalden, gebroken glas en dergelijke, op te zuigen.**
8. **GEBRUIK DE STOFZUIGER NOOIT IN DE BUURT VAN BENZINE, GAS, VERF, LIJM OF ANDERE UITERST EXPLOSIEVE STOFFEN.** De schakelaar produceert vonken bij het in- en uitschakelen. En dat doet ook de collector in de motor tijdens gebruik. Hierdoor kan een gevaarlijke explosie worden veroorzaakt.
9. **Zuig nooit giftige, kankerverwekkende, ontbrandbare of andere gevaarlijke stoffen op, zoals asbest, arsenicum, barium, beryllium, lood, pesticiden en andere gezondheidsbedreigende materialen.**
10. **Plaats de stofzuiger altijd op een horizontale en vlakke ondergrond om te voorkomen dat hij omvalt of onbedoeld beweegt.**
11. **Gebruik de stofzuiger nooit buitenshuis in de regen.**
12. **In Finland mag dit apparaat niet buitenshuis worden gebruikt bij lage temperaturen.**
13. **Gebruik hem niet dichtbij een warmtebron (fornuis, enz.).**
14. **Als de uitlaatlucht terugstroomt in het vertrek, is het noodzakelijk voor voldoende luchtverversing in het vertrek te zorgen. Raadpleeg hiervoor de nationale regelgeving.**
15. **Blokkeer de aanzuigopening/uitlaat/koelventilatieopeningen niet. Deze ventilatieopeningen zorgen voor de koeling van de motor. Blokkering ervan moet zorgvuldig worden voorkomen omdat anders de motor zal doorbranden als gevolg van gebrek aan ventilatie.**
16. **Zorg altijd voor een stevige stand en goede lichaamsbalans.**
17. **U mag de slang niet knikken, eraan trekken of erop gaan staan.**
18. **Schakel de stofzuiger onmiddellijk uit als u tijdens gebruik slechte prestaties of iets abnormaals opmerkt.**
19. **VERWIJDER DE ACCU('S) wanneer het gereedschap niet in gebruik is, u er onderhoud aan gaat plegen, en u accessoires verwisselt.**
20. **Reinig en onderhoud de stofzuiger onmiddellijk na elk gebruik om hem in optimale conditie te houden.**
21. **ONDERHOUD DE STOFZUIGER GOED.** Houd de stofzuiger schoon om beter en veiliger te kunnen werken. Houdt u aan de instructies voor het verwisselen van de accessoires. Houd de handgrepen droog, schoon en vrij van olie en vetten.
22. **CONTROLEER BESCHADIGDE ONDERDELEN.** Zonder de stofzuiger verder te gebruiken, moet een beschermkap of ander onderdeel dat beschadigd is eerst goed worden onderzocht om te beoordelen of het goed werkt en zijn beoogde functie kan uitvoeren. Controleer of bewegende delen goed uitgelijnd zijn en niet vastgelopen zijn, of onderdelen niet kapot zijn en stevig gemonteerd zijn, en enige andere situatie die van invloed kan zijn op de werking ervan. Een beschermkap of ander onderdeel dat beschadigd is, dient vakkundig te worden gerepareerd of vervangen door een erkend servicecentrum, behalve indien anders aangegeven elders in deze gebruiksaanwijzing. Laat een kapotte schakelaar vervangen door een erkend servicecentrum. Gebruik de stofzuiger niet als hij niet kan worden in- en uitgeschakeld met de schakelaar.
23. **Bij onderhoud door de gebruiker moet het apparaat worden gedemonteerd, gereinigd en onderhouden voor zover dat redelijkerwijs praktisch is zonder dat dit risico's oplevert voor het onderhoudspersoneel en anderen.**
24. **Het apparaat moet minimaal jaarlijks worden onderworpen aan een technische inspectie door de fabrikant of een opgeleid persoon, welke dient te bestaan uit, bijvoorbeeld, een inspectie van de filters op beschadigingen, de luchtdichtheid van het apparaat en de juiste werking van het bedieningsmechanisme.**
25. **Tijdens het uitvoeren van onderhouds- of reparatiewerkzaamheden moeten alle verontreinigde onderdelen die niet naar tevredenheid**

kunnen worden schoongemaakt, worden weggegooid. Dergelijke onderdelen moeten worden weggegooid in ondoordringbare zakken conform alle huidige regelgeving voor het weggooiden van dergelijk afval.

26. **VERVANGINGSONDERDELEN.** Gebruik tijdens reparaties uitsluitend identieke vervangingsonderdelen.
27. **BERG EEN STOFZUIGER DIE NIET WORDT GEBRUIKT VEILIG OP.** Wanneer de stofzuiger niet wordt gebruikt, dient hij binnenshuis te worden opgeborgen.
28. Natte filters en het binnenste deel van het vloestofreservoir moeten worden gedroogd voordat ze worden opgeborgen.
29. Behandel uw stofzuiger voorzichtig. Een ruwe behandeling kan leiden tot een defect van zelfs de meest stevig gebouwde stofzuiger.
30. Probeer niet de buitenkant of binnenkant van de stofzuiger schoon te maken met wasbenzine, thinner of schoonmaakmiddelen. Hierdoor kunnen barsten en verkleuringen ontstaan.
31. Gebruik de stofzuiger niet in een afgesloten ruimte waarin brandbare, explosieve of giftige dampen worden afgegeven door verf op olie-basis, thinner, benzine, bepaalde motenbestrijdingsmiddelen, enz., of op plaatsen waar brandbaar stof aanwezig is.
32. Gebruik dit of enig ander gereedschap niet wanneer u onder invloed bent van drugs of alcohol.
33. Als basisveiligheidsmaatregel gebruikt u een beschermende bril of veiligheidsbril met zijkstukken.
34. Gebruik een stofmasker onder stoffige werkomstandigheden.
35. Dit apparaat is niet bedoeld voor gebruik door personen, waaronder kinderen, met een verminderd lichamelijk, zintuiglijk of geestelijk vermogen, of gebrek aan kennis en ervaring.
36. Kinderen dienen onder toezicht te staan om ervoor te zorgen dat zij niet met de stofzuiger spelen.
37. Hanteer de stofzuiger en accu('s) nooit met natte handen.
38. Wees bijzonder voorzichtig tijdens stofzuigen op een trap.
39. Gebruik de stofzuiger niet als een kruk of werkbank. Anders kan het apparaat vallen, waardoor persoonlijk letsel kan worden veroorzaakt.

Gebruik en verzorging van gereedschap dat op een accu werkt

1. **Laad alleen op met de acculader aanbevolen door de fabrikant.** Een acculader die geschikt is voor een bepaald type accu, kan brandgevaar opleveren indien gebruikt met een ander type accu.
2. **Gebruik elektrisch gereedschap uitsluitend met de daarvoor bestemde accu.** Gebruik van andere accu's kan gevaar voor letsel of brandgevaar opleveren.
3. **Als de accu niet wordt gebruikt, houdt u deze**

uit de buurt van metalen voorwerpen, zoals paperclips, muntgeld, sleutels, spijkers, schroeven en andere kleine metalen voorwerpen die een kortsluiting kunnen veroorzaken tussen de accupolen. Kortsluiting tussen de accupolen kan leiden tot brandwonden of brand.

4. **Onder zware gebruiksomstandigheden kan vloeistof uit de accu komen. Voorkom aanraking!** Als u er per ongeluk mee in aanraking komt, spoelt u het er met water af. Als de vloeistof in uw ogen komt, raadpleegt u tevens een arts. Vloeistof uit de accu kan irritatie en brandwonden veroorzaken.
5. **Gebruik geen accu of gereedschap dat beschadigd of gewijzigd is.** Beschadigde of gewijzigde accu's kunnen onvoorspelbaar gedrag vertonen dat kan leiden tot brand, explosie of gevaar van letsel.
6. **Stel een accu of gereedschap niet bloot aan vuur of buitensporige temperaturen.** Blootstelling aan vuur of temperaturen hoger dan 130 °C kunnen een explosie veroorzaken.
7. **Volg alle oplaad instructies en laad de accu of het gereedschap niet op buiten het temperatuurbereik opgegeven in de instructies.** Verkeerd opladen of bij een temperatuur buiten het opgegeven bereik kan de accu beschadigen en de kans op brand vergroten.

BEWAAR DEZE VOORSCHRIFTEN.

⚠WAARSCHUWING: Laat u NIET misleiden door een vals gevoel van comfort en bekendheid met het gereedschap (na veelvuldig gebruik) en neem alle veiligheidsvoorschriften van het betreffende gereedschap altijd strikt in acht. **VERKEERD GEBRUIK** of het niet naleven van de veiligheidsvoorschriften in deze gebruiksaanwijzing kan leiden tot ernstig letsel.

Belangrijke veiligheidsinstructies voor een accu

1. **Lees alle voorschriften en waarschuwingen op (1) de acculader, (2) de accu, en (3) het product waarvoor de accu wordt gebruikt, alvorens de accu in gebruik te nemen.**
2. **Haal de accu niet uit elkaar en saboteer hem niet.** Dit kan leiden tot brand, buitensporige hitte of een explosie.
3. **Als de gebruikstijd van een opgeladen accu aanzienlijk korter is geworden, moet u het gebruik ervan onmiddellijk stopzetten.** Voortgezet gebruik kan oververhitting, brandwonden en zelfs een ontploffing veroorzaken.
4. **Als elektrolyt in uw ogen is terechtgekomen, spoelt u uw ogen met schoon water en roept u onmiddellijk de hulp van een dokter in.** Elektrolyt in de ogen kan blindheid veroorzaken.
5. **Voorkom kortsluiting van de accu:**
 - (1) **Raak de accuklemmen nooit aan met een geleidend materiaal.**
 - (2) **Bewaar de accu niet in een bak waarin**

andere metalen voorwerpen zoals spijkers, munten e.d. worden bewaard.

- (3) **Stel de accu niet bloot aan water of regen. Kortsluiting van de accu kan oorzaak zijn van een grote stroomafgifte, oververhitting, brandwonden, en zelfs defecten.**
6. **Bewaar en gebruik het gereedschap en de accu niet op plaatsen waar de temperatuur kan oplopen tot 50 °C of hoger.**
7. **Werp de accu nooit in het vuur, ook niet wanneer hij zwaar beschadigd of volledig versleten is. De accu kan ontploffen in het vuur.**
8. **Laat de accu niet vallen, sla er geen spijker in, snijd er niet in, gooi er niet mee en stoot hem niet tegen een hard voorwerp. Dergelijke handelingen kunnen leiden tot brand, buitensporige hitte of een explosie.**
9. **Gebruik nooit een beschadigde accu.**
10. **De bijgeleverde lithium-ionbatterijen zijn onderhevig aan de vereisten in de wetgeving omtrent gevaarlijke stoffen.**

Voor commercieel transport en dergelijke door derden en transporteurs moeten speciale vereisten ten aanzien van verpakking en etikettering worden nageleefd.

Als voorbereiding van het artikel dat wordt getransporteerd is het noodzakelijk een expert op het gebied van gevaarlijke stoffen te raadplegen. Houd u tevens aan mogelijk strengere nationale regelgeving.

Blootliggende contactpunten moeten worden afgedekt met tape en de accu moet zodanig worden verpakt dat deze niet kan bewegen in de verpakking.
11. **Wanneer u de accu wilt weggooien, verwijdert u de accu vanaf het gereedschap en gooit u hem op een veilige manier weg. Volg bij het weggooien van de accu de plaatselijke voorschriften.**
12. **Gebruik de accu's uitsluitend met de gereedschappen die door Makita zijn aanbevolen.** Als de accu's worden aangebracht in niet-compatibele gereedschappen, kan dat leiden tot brand, buitensporige warmteontwikkeling, een explosie of lekkage van elektrolyt.
13. **Als u het gereedschap gedurende een lange tijd niet denkt te gaan gebruiken, moet de accu vanaf het gereedschap worden verwijderd.**
14. **Tijdens en na gebruik, kan de accu heet worden waardoor brandwonden of koude brandwonden kunnen worden veroorzaakt. Wees voorzichtig bij het hanteren van een hete accu.**
15. **Raak de aansluitpunten van het gereedschap niet onmiddellijk na gebruik aan omdat deze heet genoeg kunnen zijn om brandwonden te veroorzaken.**
16. **Zorg ervoor dat geen steenslag, stof of grond vast komt te zitten op/in de aansluitpunten, openingen en groeven van de accu.** Hierdoor kan oververhitting, brand, een barst en een storing in het gereedschap of de accu ontstaan waardoor brandwonden of persoonlijk letsel kunnen ontstaan.
17. **Behalve indien gebruik van het gereedschap is toegestaan in de buurt van**

hoogspanningsleidingen, mag u de accu niet gebruiken in de buurt van een hoogspanningsleiding. Dit kan leiden tot een storing of een defect van het gereedschap of de accu.

18. **Houd de accu uit de buurt van kinderen.**

BEWAAR DEZE INSTRUCTIES.

⚠ LET OP: Gebruik uitsluitend originele Makita accu's. Het gebruik van niet-originele accu's, of accu's die zijn gewijzigd, kan ertoe leiden dat de accu ontploft en brand, persoonlijk letsel en schade veroorzaakt. Ook vervalt daarmee de garantie van Makita op het gereedschap en de lader van Makita.

Tips voor een maximale levensduur van de accu

1. **Laad de accu op voordat hij volledig ontladen is. Stop het gebruik van het gereedschap en laad de accu op telkens wanneer u vaststelt dat het vermogen van het gereedschap is afgenomen.**
2. **Laad een volledig opgeladen accu nooit opnieuw op. Te lang opladen verkort de levensduur van de accu.**
3. **Laad de accu op bij een omgevingstemperatuur tussen 10 °C en 40 °C. Laat een warme accu afkoelen alvorens hem op te laden.**
4. **Als de accu niet wordt gebruikt, verwijderd u hem vanaf het gereedschap of de lader.**
5. **Laad de accu op als u deze gedurende een lange tijd (meer dan zes maanden) niet gaat gebruiken.**

Belangrijke veiligheidsinstructies voor de draadloos-eenheid

1. **Open nooit zelf de afdekking van de gleuf nadat de draadloos-eenheid is aangebracht.**
2. **Haal de draadloos-eenheid niet uit elkaar en knoei er niet aan.**
3. **Houd de draadloos-eenheid uit de buurt van kinderen. Indien per ongeluk ingeslikt, raadpleegt u onmiddellijk een arts.**
4. **Gebruik de draadloos-eenheid uitsluitend met Makita-gereedschap.**
5. **Stel de draadloos-eenheid niet bloot aan regen of natte omstandigheden.**
6. **Gebruik de draadloos-eenheid niet op plaatsen waar de temperatuur hoger is dan 50 °C.**
7. **Bedien de draadloos-eenheid niet op plaatsen in de buurt van medische instrumenten, zoals een pacemaker.**
8. **Bedien de draadloos-eenheid niet op plaatsen in de buurt van geautomatiseerde apparaten. Bij bediening ervan kan in de geautomatiseerde apparaten een storing of fout optreden.**
9. **Bedien de draadloos-eenheid niet op plaatsen met een hoge temperatuur of op plaatsen waar statische elektriciteit of elektrische ruis kan worden gegenereerd.**
10. **De draadloos-eenheid kan elektromagnetische velden genereren, maar deze zijn niet schadelijk voor de gebruiker.**

11. De draadloos-eenheid is een nauwkeurig instrument. Wees voorzichtig dat u de draadloos-eenheid niet laat vallen of ergens tegenaan stoot.
12. Raak de aansluitpunten van de draadloos-eenheid niet aan met blote handen of metaalachtige materialen.
13. Verwijder altijd de accu uit het apparaat wanneer u de draadloos-eenheid erin aanbrengt.
14. Open de afdekking van de gleuf niet op plaatsen waar stof of vocht in de gleuf kan binnendringen. Houd de ingang van de gleuf altijd schoon.
15. Breng de draadloos-eenheid altijd in de juiste richting aan.
16. Druk niet te hard op de knop voor draadloos inschakelen op de draadloos-eenheid en/of druk niet op de knop met een scherp voorwerp.
17. Sluit altijd de afdekking van de gleuf tijdens gebruik.
18. Verwijder de draadloos-eenheid niet uit de gleuf terwijl voeding wordt geleverd aan het gereedschap. Als u dit doet, kan een storing optreden in de draadloos-eenheid.
19. Verwijder de sticker op de draadloos-eenheid niet.
20. Plak geen stickers op de draadloos-eenheid.
21. Laat de draadloos-eenheid niet liggen op een plaats waar statische elektriciteit of elektrische ruis kan worden gegenereerd.
22. Laat de draadloos-eenheid niet liggen op een plaats die is blootgesteld aan hoge temperaturen, zoals in een auto die in de zon staat geparkeerd.
23. Laat de draadloos-eenheid niet liggen op een plaats met veel stof of poeder, of op een plaats waar corrosief gas kan worden gegenereerd.
24. Door een plotselinge verandering in temperatuur kan condens op de draadloos-eenheid worden gevormd. Gebruik de draadloos-eenheid niet voordat de condens volledig is verdampt.
25. Veeg de draadloos-eenheid voorzichtig schoon met een droge, zachte doek. Gebruik geen wasbenzine, thinner, geleidend vet en dergelijke.
26. Bewaar de draadloos-eenheid in de bijgeleverde doos of een antistatische container.
27. Breng geen andere apparaten dan een draadloos-eenheid van Makita aan in de gleuf van het gereedschap.
28. Gebruik het gereedschap niet als de afdekking van de gleuf beschadigd is. Water, stof en vuil die in de gleuf binnendringen, kunnen een storing veroorzaken.
29. Trek en draai niet meer dan nodig is aan de afdekking van de gleuf. Plaats de afdekking terug als deze los komt van het gereedschap.
30. Vervang de afdekking van de gleuf als deze verloren of beschadigd is.

BEWAAR DEZE INSTRUCTIES.

BESCHRIJVING VAN DE FUNCTIES

⚠ LET OP: Verzeker u er altijd van dat het apparaat is uitgeschakeld en de accu's zijn verwijderd voordat u de functies op het apparaat afstelt of controleert.

De accu aanbrengen en verwijderen

⚠ LET OP: Schakel het gereedschap altijd uit voordat u de accu aanbrengt of verwijderd.

⚠ LET OP: Houd de stofzuiger en de accu stevig vast tijdens het aanbrengen of verwijderen van de accu. Als u de stofzuiger en de accu niet stevig vasthoudt, kunnen deze uit uw handen glijpen en kunnen de stofzuiger of de accu worden beschadigd of kan persoonlijk letsel worden veroorzaakt.

⚠ LET OP: Wees voorzichtig bij het sluiten of openen van het accudeksel dat uw vingers niet bekneld raken. Als u dit niet doet, kan persoonlijk letsel ontstaan.

Om de accu te plaatsen, ontgrendelt u eerst de vergrendeling en opent u daarna het accudeksel. Plaats daarna de accu.

► **Fig.1:** 1. Vergrendeling 2. Accudeksel

Lijn de lip op de accu uit met de groef in de behuizing en duw de accu op zijn plaats. Steek hem er helemaal in tot hij op zijn plaats wordt vergrendeld met een klikgeluid. Vergrendel daarna het accudeksel.

► **Fig.2:** 1. Accu 2. Knop

Om de accu te verwijderen, verschuift u de knop aan de voorkant van de accu en schuift u tegelijkertijd de accu uit het apparaat.

⚠ LET OP: Breng de accu altijd volledig aan. Als u dit niet doet, kan deze per ongeluk uit de stofzuiger vallen en letsel veroorzaken bij u of anderen in uw omgeving.

⚠ LET OP: Breng de accu niet met kracht aan. Als de accu niet gemakkelijk in het gereedschap kan worden geschoven, wordt deze niet goed aangebracht.

OPMERKING: De stofzuiger werkt niet met slechts één accu.

De resterende acculading controleren

Druk op de testknop op de accu om de resterende acculading te zien. De indicatorlampjes branden gedurende enkele seconden.

► **Fig.3:** 1. Indicatorlampjes 2. Testknop

Indicatorlampjes			Resterende acculading
Brandt	Uit	Knippert	
			75% tot 100%
			50% tot 75%
			25% tot 50%
			0% tot 25%
			Laad de accu op.
			Er kan een storing zijn opgetreden in de accu.

OPMERKING: Afhankelijk van de gebruiksomstandigheden en de omgevingstemperatuur, is het mogelijk dat de aangegeven acculading verschilt van de werkelijke acculading.

OPMERKING: Het eerste (meest linker) indicatorlampje knippert wanneer het accubeveiligingssysteem in werking is getreden.

Accu-indicators op het bedieningspaneel

De resterende acculading kan op elk moment worden afgelezen op het bedieningspaneel. Druk op de controleknoop waarna de linker en rechter accu-indicators de respectievelijke acculaadniveaus aangeven.

► **Fig.4:** 1. Linker accu-indicator 2. Rechter accu-indicator 3. Testknoop

► **Fig.5**

Toestand van accu-indicator			Resterende acculading
Aan	Uit	Knippert	
			50% tot 100%
			20% tot 50%
			0% tot 20%
			Laad de accu op.
			Accu niet aangebracht

OPMERKING: De accu-indicator werkt zo lang twee accu's zijn aangebracht.

OPMERKING: De accu-indicators worden tevens geactiveerd wanneer de stofzuiger wordt ingeschakeld.

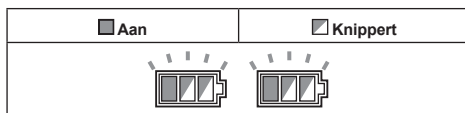
Apparaat-/accubeveiligingssysteem

Het apparaat is uitgerust met een apparaat-/accubeveiligingssysteem. Dit systeem schakelt automatisch de voeding naar de motor uit om de levensduur van het apparaat en de accu te verlengen. Het apparaat zal tijdens het gebruik automatisch stoppen wanneer het apparaat of de accu zich in één van de volgende omstandigheden bevindt:

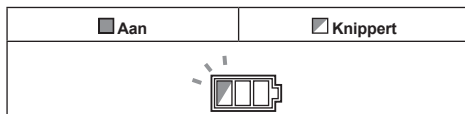
Overbelastingsbeveiliging

Wanneer het apparaat/de accu wordt gebruikt op een manier die een abnormaal hoge stroomsterkte vergt, stopt het apparaat automatisch. Schakel in dat geval het apparaat uit en stop met de toepassing die ertoe leidde dat het apparaat overbelast raakte. Schakel vervolgens het apparaat in om het weer te starten.

Oververhittingsbeveiliging



Wanneer het apparaat oververhit is, stopt het apparaat automatisch en knipperen de linker en rechter accu-indicators. Laat in die situatie het apparaat afkoelen en reinig de filters voordat u het apparaat weer inschakelt.



Als de accu oververhit is, stopt het apparaat automatisch en knippert één van de indicators van de oververhitte accu. Laat in dat geval de accu afkoelen voordat u het apparaat weer inschakelt.

Beveiliging tegen te ver ontladen

Als de acculading laag is, stopt het apparaat automatisch. Als het apparaat niet werkt bij bediening van de schakelaar, verwijdert u de accu's uit het apparaat en laadt u ze op.

Beveiliging tegen andere oorzaken

Het beveiligingssysteem is ook ontworpen voor andere oorzaken die het apparaat kunnen beschadigen, en zorgt ervoor dat het apparaat onmiddellijk stopt. Voer alle volgende stappen uit om de oorzaken op te heffen, wanneer het apparaat tijdelijk is onderbroken of tijdens het gebruik is gestopt.

1. Schakel het apparaat uit en schakel het daarna weer in om het opnieuw te starten.
2. Laad de accu('s) op of vervang hem/ze door (een) opgeladen accu('s).
3. Laat het apparaat en de accu('s) afkoelen.

Als geen verbetering optreedt nadat het beveiligingssysteem is gereset, neemt u contact op met uw lokale Makita-servicecentrum.

De trekkerschakelaar gebruiken

De stofzuiger inschakelen

1. Draai de standbyschakelaar naar de stand "I" (aan) of "AUTO" (aan) om de stofzuiger gebruiksklaar te zetten in de standby-stand.
2. Druk op de aan-uitknop.
Om terug te gaan naar de standby-stand, drukt u nogmaals op de aan-uitknop.

De stofzuiger uitschakelen

Voer een van de volgende stappen uit.

- Druk op de aan-uitknop om de stofzuiger terug te zetten in de standby-stand.
- Draai de standbyschakelaar naar de stand "O" (uit).

De zuigkracht instellen

De zuigkracht kan worden ingesteld overeenkomstig de behoefte van de werkzaamheden.

- Draai de zuigkracht-instelknop naar links om de zuigkracht te verlagen.
- Draai de zuigkracht-instelknop naar rechts om de zuigkracht te verhogen.

► **Fig.6:** 1. Standby-schakelaar 2. Zuigkracht-instelknop 3. Aan-uitknop

KENNISGEVING: Zet de standby-schakelaar altijd in de stand "O" wanneer u de stofzuiger gedurende een lange tijd niet gaat gebruiken. De stofzuiger verbruikt in de standby-stand ook stroom.

Automatische zuigonderbreking tijdens nat zuigen

WAARSCHUWING: Zuig geen schuim of zepige vloeistoffen op. Hierdoor kan schuim uit de luchtuitstroomopening komen. Aanhoudend gebruik onder dergelijke omstandigheden kan leiden tot een elektrische schok en een defect van de stofzuiger.

De stofzuiger is uitgerust met een mechanisme dat voorkomt dat water kan binnendringen in de motor wanneer meer dan een bepaalde hoeveelheid water wordt opgezogen.

Wanneer de tank vol zit met vloeistof, stopt de stofzuiger automatisch. Schakel de stofzuiger uit en maak de tank leeg.

Filterreinigingssysteem

Dit apparaat heeft een filterreinigingssysteem. Tijdens gebruik van het apparaat, stoft het filterreinigingssysteem automatisch de filters af om te voorkomen dat de zuigkracht afneemt als gevolg van verstopte filters.

Als het apparaat een grote hoeveelheid stof in één keer opzuigt, kan de zuigkracht afnemen. In dat geval adviseren wij u het filter handmatig te reinigen.

1. Schakel het apparaat uit.
2. Stel de zuigkracht in op maximaal en sluit daarna het uiteinde van de zuigslang af met de palm van uw hand.

3. Schakel het apparaat in en laat het ongeveer 15 seconden werken terwijl het uiteinde van de zuigslang afgesloten is.

► **Fig.7:** 1. Uiteinde van de zuigslang

OPMERKING: Het luchtvolume kan veranderen terwijl het filterreinigingssysteem in werking is, maar dit duidt niet op een defect.

Water aftappen

Wanneer de tank vol zit met vloeistof, schakelt u de stofzuiger uit en draait u de dop van de wateraftapopening af om de tank te legen.

► **Fig.8:** 1. Dop van de wateraftapopening

De wieltjes vergrendelen en ontgrendelen

De wieltjes aan de voorkant kunnen worden vergrendeld door middel van een rem om de stofzuiger op zijn plaats te houden.

Zet de remhendel met de hand omlaag om het wieltje te vergrendelen en zet hem omhoog om te ontgrendelen.

► **Fig.9:** 1. Wieltje 2. Remhendel 3. Stand LOS 4. Stand REM

OPMERKING: Voordat u de stofzuiger verplaatst, controleert u of het wieltje niet op de rem staat. Als u de stofzuiger verplaatst terwijl het wieltje op de rem staat, kan het wieltje worden beschadigd.

Draaghandgreep

LET OP: Wees voorzichtig wanneer u het apparaat optilt en draagt. Als u dat niet doet, kan dit leiden tot persoonlijk letsel of beschadiging van het apparaat.

Wanneer u de stofzuiger draagt, draagt u deze aan de handgreep op de hoofdeenheid. Wanneer de handgreep niet in gebruik is, kan deze worden weggeklapt in de hoofdeenheid.

► **Fig.10**

Als het moeilijk is om het apparaat zelf te dragen, draagt u het met twee personen zoals aangegeven in de afbeelding.

► **Fig.11**

► **Fig.12**

MONTAGE

LET OP: Verzeker u er altijd van dat het apparaat is uitgeschakeld en de accu's zijn verwijderd voordat u enige werkzaamheden aan het apparaat uitvoert.

LET OP: Draag altijd een stofmasker tijdens montage en onderhoud.

De filterzak aanbrengen en weggooien

Optioneel accessoire

⚠ WAARSCHUWING: Alvorens een filterzak te gebruiken, verzekert u zich ervan dat de filtereenheid tegelijkertijd wordt gebruikt. Als u de filtereenheid niet tegelijkertijd gebruikt, kan een ongebruikbaar geluid en warmte worden veroorzaakt, waardoor brand kan ontstaan.

KENNISGEVING: Zuig nooit water of een andere vloeistof of nat stof op wanneer een filterzak is aangebracht. Als u dergelijke stoffen opzuigt, kan de filterzak stuk gaan.

1. Ontgrendel de vergrendelhaken en til de hoofdeenheid van de tank af.
► **Fig.13:** 1. Vergrendelhaken
2. Vouw een filterzak uit.
3. Lijn de opening van de filterzak uit met de stofinlaat van de tank.
4. Plaats de kartonnen opening van de filterzak zo ver mogelijk over de houder tot voorbij de uitstekende rand.
► **Fig.14:** 1. Filterzak 2. Kartonnen opening 3. Filterzakhouder 4. Stofinlaat 5. Rand

Wanneer u de filterzak weggooit, trekt u aan de rand van de kartonnen opening zodat de opening wordt afgesloten door een papiervel.

De polyethyleenzak aanbrengen

Leg een polyethyleenzak over de tank en steek één kant van de geopende bovenrand van de zak tussen de houderplaat en de voorwand van de tank. Spreid daarna de rest van de bovenrand van de zak naar buiten over de bovenrand van de tank. De polyethyleenzak kan worden gebruikt tezamen met de filterzak.

- **Fig.15:** 1. Houderplaat 2. Voorwand van de tank 3. Polyethyleenzak

OPMERKING: U kunt een polyethyleenzak uit de winkel gebruiken. Een polyethyleenzak met een dikte van meer dan 0,04 mm en een omtrek van meer dan 2.000 mm wordt aanbevolen.

OPMERKING: Bij te veel stof scheurt de polyethyleenzak gemakkelijk, dus laat hem niet te vol worden. Het weggooien van een zware zak kan een last zijn voor het menselijk lichaam.

De tank met polyethyleenzak legen

⚠ WAARSCHUWING: Zorg er altijd voor dat de stofzuiger is uitgeschakeld en de accu's zijn verwijderd voordat u de tank leegt. Als u dit niet doet, kunt u een elektrische schok krijgen en kan ernstig persoonlijk letsel ontstaan.

KENNISGEVING: Leeg de tank minstens eenmaal per dag, al is dit afhankelijk van de opgezogen hoeveelheid stof in de tank. Anders zal de zuigkracht afnemen en kan de motor defect raken.

KENNISGEVING: Pak de vergrendelhaken niet vast wanneer u de tank leegt. Als u de vergrendelhaken vastpakt, kunnen deze afbreken.

1. Ontgrendel de vergrendelhaken en til de hoofdeenheid van de tank af.
2. Verwijder de polyethyleenzak uit de tank, waarbij u de opening van de zak met uw hand dicht houdt.
► **Fig.16:** 1. Polyethyleenzak 2. Tank

OPMERKING: Haal de polyethyleenzak voorzichtig uit de tank om te voorkomen dat deze vasthaakt en uitscheurt aan de binnenrand van de tank.

OPMERKING: Leeg de polyethyleenzak voordat deze vol is. Te veel stof in de tank kan ertoe leiden dat de polyethyleenzak scheurt.

De slang aanbrengen

KENNISGEVING: U mag de slang niet forceren of erop gaan staan. Trek de stofzuiger nooit mee aan de slang. Door de slang te forceren, erop te staan of eraan te trekken, kan hij kapot gaan of vervormen.

KENNISGEVING: Wanneer groot afval wordt opgezogen, zoals houtkrullen, cementkorrels of soortgelijk afval anders dan zeer klein afval, gebruikt u de slang met een binnendiameter van 38 mm (optioneel accessoire). Als u de slang met een binnendiameter van 28 mm (optioneel accessoire) gebruikt, kan de slang verstopt en beschadigd raken.

Aansluiten op de stofzuiger

Steek het slanguiteinde in de stofinlaat (slangaansluiting) van de stofzuiger en draai hem daarna rechtsom tot hij op zijn plaats vastklikt.

- **Fig.17:** 1. Slang 2. Stofinlaat (slangaansluiting)

Aansluiten op uw gereedschappen (afhankelijk van het land)

Door de stofzuiger aan te sluiten op een van de verkrijgbare gereedschappen die compatibel zijn met de stofzuiger, werkt deze als stofafzuiging voor uw elektrisch gereedschap.

Selecteer een van de voorste aansluitstukken of verloopstukken (optionele accessoires) die het meest geschikt is voor uw model gereedschap. Plaats het aansluitstuk of verloopstuk tussen het voorste uiteinde van de stofzuigerslang en de stofafzuigaansluiting op uw gereedschap.

- **Fig.18:** 1. Voorste aansluitstuk of verloopstuk 2. Stofzuigerslang 3. Elektrisch gereedschap 4. Stofzuiger

De hulpstukken van de stofzuiger aanbrengen en verwijderen

⚠ LET OP: Controleer na het aanbrengen van een hulpstuk of dit stevig is aangebracht. Als het hulpstuk niet correct is aangebracht, kan het eraf vallen en persoonlijk letsel veroorzaken.

Bij gebruik van een hulpstuk zonder vergrendelfunctie

Optioneel accessoire

Steek een hulpstuk in de aanzuigopening van de stofzuiger door het met de hand erin te duwen en op zijn plaats te draaien.

Na gebruik verdraait u het hulpstuk met de hand en trekt u het uit de aanzuigopening.

► Fig.19

De MAKPAC aanbrengen

Optioneel accessoire

⚠ LET OP: Ga niet bovenop het apparaat staan of zitten. Het kan omvallen door instabiliteit.

⚠ LET OP: Wees voorzichtig tijdens het aanbrengen van de MAKPAC. Als u dat niet doet, kan dit leiden tot persoonlijk letsel of beschadiging van het apparaat.

⚠ LET OP: Wanneer de MAKPAC is aangebracht op het apparaat, mag u het apparaat niet optillen aan de handgreep van de MAKPAC.

⚠ LET OP: Wanneer u het apparaat waarop de MAKPAC is aangebracht verplaatst, duwt u niet tegen de MAKPAC maar tegen de behuizing van het apparaat. Als u tegen de MAKPAC duwt, kunnen de vergrendelingen afbreken en de MAKPAC eraf vallen, waardoor persoonlijk letsel kan ontstaan.

MAKPAC-opbergkoffers kunnen worden bevestigd en gestapeld bovenop de stofzuiger. De koffers zijn leverbaar in vele maten en stijlen om tegemoet te komen aan uw voorkeuren.

1. Klap de vergrendelingen op het bovenoppervlak van de stofzuiger open.

► Fig.20: 1. Vergrendeling

2. Plaats de MAKPAC-koffer bovenop de stofzuiger en bevestig hem met behulp van de vergrendelingen.

► Fig.21: 1. Vergrendeling 2. MAKPAC

De maximumhoogte en het maximumgewicht van de MAKPAC zijn respectievelijk 315 mm en 20 kg.

► Fig.22

FUNCTIE VOOR DRAADLOOS INSCHAKELEN

Optioneel accessoire

Mogelijkheden van de functie voor draadloos inschakelen

Met de functie voor draadloos inschakelen kunt u schoon en comfortabel werken. Door een ondersteund gereedschap aan te sluiten op de stofzuiger, kunt u de stofzuiger automatisch laten in- en uitschakelen bij bediening van de schakelaar van het gereedschap.

► Fig.23

KENNISGEVING: Raadpleeg tevens de gebruiksaanwijzing van het gereedschap wanneer u een stofzuiger met de functie voor draadloos inschakelen gebruikt.

KENNISGEVING: Haal de draadloos-eenheid niet uit elkaar en knoei er niet aan.

KENNISGEVING: Om te voorkomen dat stof in de gleuf van de draadloos-eenheid binnendringt, zorgt u ervoor dat het deksel altijd stevig gesloten is tijdens gebruik en opbergen.

KENNISGEVING: Druk niet te hard op de knop voor draadloos inschakelen en/of druk niet op de knop met een scherp voorwerp.

OPMERKING: Draadloos inschakelen vereist een Makita-gereedschap dat is uitgerust met de draadloos-eenheid.

OPMERKING: Alvorens de functie voor draadloos inschakelen voor het eerst met elk gereedschap te gebruiken, dient het gereedschap te worden geregistreerd. Nadat de registratie van het gereedschap is voltooid, is opnieuw registreren niet nodig, behalve als de registratie wordt geannuleerd.

OPMERKING: Controleer vóór registratie of de draadloos-eenheid correct is aangebracht.

OPMERKING: Eén draadloos-eenheid kan maximaal 10 verbindingen registreren met andere draadloos-eenheden. Als meer dan 10 draadloos-eenheden zijn geregistreerd in één draadloos-eenheid, wordt degene die het eerste werd geregistreerd automatisch gewist.

OPMERKING: De plaats van de knop voor draadloos inschakelen verschilt afhankelijk van het gereedschap.

OPMERKING: De stofzuiger wordt tevens ingeschakeld wanneer op de aan-uitknop wordt gedrukt terwijl de standbyschakelaar op "AUTO" staat. De aan-uitknop schakelt niet in en uit wanneer de functie voor draadloos inschakelen wordt gebruikt.

De draadloos-eenheid aanbrengen

⚠ WAARSCHUWING: Open alleen de eerste keer de afdekking wanneer u de draadloos-eenheid aanbrengt. Open de afdekking nooit nadat deze is aangebracht.

⚠ LET OP: Plaats de stofzuiger op een vlakke en stabiele ondergrond wanneer u de draadloos-eenheid aanbrengt.

KENNISGEVING: Verwijder het stof en vuil vanaf de stofzuiger voordat u de draadloos-eenheid aanbrengt. Stof en vuil kunnen een storing veroorzaken wanneer ze binnendringen in de gleuf voor de draadloos-eenheid.

KENNISGEVING: Om een storing als gevolg van statische elektriciteit te voorkomen, raakt u een materiaal aan dat statische elektriciteit ontlaadt, zoals een metalen onderdeel, voordat u de draadloos-eenheid oppakt.

KENNISGEVING: Let er bij het aanbrengen van de draadloos-eenheid altijd op dat de draadloos-eenheid in de correcte richting wordt aangebracht en dat de afdekking volledig wordt gesloten.

1. Draai de schroef los om de afdekking op de stofzuiger te openen, zoals aangegeven in de afbeelding.

► Fig.24: 1. Afdekking 2. Schroef

2. Steek de draadloos-eenheid in de gleuf.

Wanneer u de draadloos-eenheid aanbrengt, lijnt u de uitsteeksels uit met de uitsparingen in de gleuf.

► Fig.25: 1. Draadloos-eenheid 2. Uitsteeksel
3. Afdekking 4. Uitsparing

3. Sluit de afdekking en draai de schroef helemaal vast.

Registratie van het gereedschap in de stofzuiger

OPMERKING: Een gereedschap van Makita die de functie voor draadloos inschakelen ondersteunt, is vereist voor registratie van het gereedschap.

OPMERKING: Voltooi het aanbrengen van de draadloos-eenheid in het gereedschap voordat u de registratie van het gereedschap start.

OPMERKING: Gedurende de registratie van het gereedschap mag u de trekkerschakelaar op het gereedschap niet inknippen en de aan-uitschakelaar op de stofzuiger niet bedienen.

OPMERKING: Raadpleeg tevens de gebruiksaanwijzing van het gereedschap.

Als u wilt dat de stofzuiger wordt ingeschakeld tegelijk met de bediening van de schakelaar van het gereedschap, moet u van tevoren de registratie van het gereedschap voltooiën.

1. Breng de draadloos-eenheden aan op zowel de stofzuiger als het gereedschap.

2. Breng de accu's aan in de stofzuiger en het gereedschap.

3. Zet de standbyschakelaar op de stofzuiger op "AUTO".

► Fig.26: 1. Standbyschakelaar

4. Houd de knop voor draadloos inschakelen op de stofzuiger gedurende 3 seconden ingedrukt totdat de lamp van draadloos inschakelen groen knippert. En houd daarna op dezelfde manier de knop voor draadloos inschakelen op het gereedschap ingedrukt.

► Fig.27: 1. Knop voor draadloos inschakelen
2. Lamp van draadloos inschakelen

Nadat de stofzuiger en het gereedschap met succes aan elkaar zijn gekoppeld, zullen de lampen van draadloos inschakelen gedurende 2 seconden groen branden, waarna ze blauw gaan knipperen.

OPMERKING: De lampen van draadloos inschakelen stoppen na 20 seconden met groen knipperen. Druk op de knop voor draadloos inschakelen op het gereedschap terwijl de lamp van draadloos inschakelen op de stofzuiger knippert. Als de lamp van draadloos inschakelen niet groen knippert, drukt u kort op de knop voor draadloos inschakelen en houdt u deze weer ingedrukt.

OPMERKING: Als u twee of meer gereedschappen registreert in de stofzuiger, voltooit u de registratie van de gereedschappen één voor één.

De functie voor draadloos inschakelen starten

OPMERKING: Voltooi de registratie van het gereedschap in de stofzuiger voor draadloos inschakelen.

OPMERKING: Plaats de stofzuiger altijd zodanig dat u de status van de lamp van draadloos inschakelen kunt zien.

OPMERKING: Raadpleeg tevens de gebruiksaanwijzing van het gereedschap.

Nadat een gereedschap in de stofzuiger is geregistreerd, wordt de stofzuiger automatisch in- en uitgeschakeld door de bediening van de schakelaar van het gereedschap.

1. Breng de draadloos-eenheden aan op zowel de stofzuiger als het gereedschap.

2. Breng de accu's aan in de stofzuiger en het gereedschap.

3. Sluit de slang van de stofzuiger aan op het gereedschap.

► Fig.28

4. Zet de standbyschakelaar op de stofzuiger op "AUTO".

► Fig.29: 1. Standbyschakelaar

5. Druk kort op de knop voor draadloos inschakelen op het gereedschap. De lamp van draadloos inschakelen knippert blauw.

► Fig.30: 1. Knop voor draadloos inschakelen
2. Lamp van draadloos inschakelen

6. Schakel het gereedschap in. Controleer of de stofzuiger is ingeschakeld terwijl het gereedschap in gebruik is.

⚠ LET OP: Controleer altijd of de functie voor draadloos inschakelen werkt voordat u werkzaamheden met het gereedschap begint.

Om het draadloos inschakelen te stoppen drukt u op de knop voor draadloos inschakelen op het gereedschap, of zet u de standbyschakelaar op de stofzuiger op "I" of "O".

OPMERKING: De lamp van draadloos inschakelen op het gereedschap stopt met blauw knipperen wanneer gedurende 2 uur geen bediening plaatsvindt. In dat geval zet u de standbyschakelaar op de stofzuiger op "AUTO" en drukt u nogmaals op de knop voor draadloos inschakelen op het gereedschap.

OPMERKING: De stofzuiger wordt met een vertraging in- en uitgeschakeld. Er treedt een tijdsvertraging op wanneer de stofzuiger de bediening van de schakelaar van het gereedschap detecteert.

OPMERKING: Het zendbereik van de draadloos-eenheid kan variëren afhankelijk van de locatie en omgevingsomstandigheden.

OPMERKING: Als twee of meer gereedschappen zijn geregistreerd in één stofzuiger, kan de stofzuiger worden ingeschakeld ondanks dat u het gereedschap niet inschakelt omdat een andere gebruiker de functie voor draadloos inschakelen gebruikt.

Registratie van het gereedschap in de stofzuiger annuleren

Voer de volgende procedure uit om de registratie van het gereedschap in de stofzuiger te annuleren.

1. Breng de draadloos-eenheden aan op zowel de stofzuiger als het gereedschap.
2. Breng de accu's aan in de stofzuiger en het gereedschap.
3. Zet de standbyschakelaar op de stofzuiger op "AUTO".

► **Fig.31:** 1. Standbyschakelaar

4. Houd de knop voor draadloos inschakelen op de stofzuiger gedurende 6 seconden ingedrukt. De lamp van draadloos inschakelen knippert groen en brandt daarna rood. Houd daarna op dezelfde manier de knop voor draadloos inschakelen op het gereedschap

ingedrukt.

- **Fig.32:** 1. Knop voor draadloos inschakelen
2. Lamp van draadloos inschakelen

Als het annuleren met succes is uitgevoerd, zullen de lampen van draadloos inschakelen gedurende 2 seconden rood branden, waarna ze blauw gaan knipperen.

OPMERKING: De lampen van draadloos inschakelen stoppen na 20 seconden met rood knipperen. Druk op de knop voor draadloos inschakelen op het gereedschap terwijl de lamp van draadloos inschakelen op de stofzuiger knippert. Als de lamp van draadloos inschakelen niet rood knippert, drukt u kort op de knop voor draadloos inschakelen en houdt u deze weer ingedrukt.

Alle registraties van gereedschappen wissen

U kunt alle registraties van gereedschappen als volgt in de stofzuiger wissen.

- **Fig.33:** 1. Standbyschakelaar 2. Knop voor draadloos inschakelen 3. Lamp van draadloos inschakelen

1. Breng de draadloos-eenheid aan op de stofzuiger.
2. Breng de accu's aan in de stofzuiger.
3. Zet de standbyschakelaar op "AUTO".
4. Houd de knop voor draadloos inschakelen ongeveer 6 seconden ingedrukt totdat de lamp van draadloos inschakelen rood knippert (ongeveer twee keer per seconde).
5. Wanneer de lamp van draadloos inschakelen rood begint te knipperen, laat u de knop voor draadloos inschakelen los. Houd daarna de knop voor draadloos inschakelen nogmaals ongeveer 6 seconden ingedrukt.
6. Wanneer de lamp van draadloos inschakelen snel rood begint te knipperen (ongeveer 5 keer per seconde), laat u de knop voor draadloos inschakelen los. Wanneer de lamp van draadloos inschakelen rood brandt en later uit gaat, zijn alle registraties van gereedschappen gewist.

OPMERKING: Als de lamp van draadloos inschakelen niet rood knippert, drukt u kort op de knop voor draadloos inschakelen en probeert u het opnieuw.

Beschrijving van de status van de lamp van draadloos inschakelen

- **Fig.34:** 1. Knop voor draadloos inschakelen
2. Lamp van draadloos inschakelen

De lamp van draadloos inschakelen toont de status van de functie voor draadloos inschakelen. Raadpleeg de onderstaande tabel voor de betekenis van de status van de lamp.

Status	Lamp van draadloos inschakelen			Beschrijving	
	Kleur	<input type="checkbox"/> Brandt	<input type="checkbox"/> Knippert		Duur (ongeveer)
Standby	Blauw	<input type="checkbox"/>		Stofzuiger: continu Gereedschap: 2 uur	Wachten op de registratie van het gereedschap of de functie voor draadloos inschakelen is beschikbaar. De lamp op de stofzuiger knippert wanneer de standby-schakelaar op "AUTO" staat. De lamp op het gereedschap knippert wanneer op de knop voor draadloos inschakelen is gedrukt. De lamp op het gereedschap wordt automatisch uitgeschakeld wanneer gedurende 2 uur geen bediening plaatsvindt.
		<input type="checkbox"/>		Bij ingeschakeld gereedschap.	
Registratie van het gereedschap	Groen	<input type="checkbox"/>		20 seconden	Klaar voor registratie van het gereedschap. Het gereedschap zoeken dat moet worden geregistreerd.
		<input type="checkbox"/>		2 seconden	De registratie van het gereedschap is voltooid. De lamp van draadloos inschakelen knippert blauw.
Registratie van het gereedschap annuleren/wissen	Rood	<input type="checkbox"/> (langzaam: 2 keer/sec)		20 seconden	Klaar om de registratie van het gereedschap te annuleren. Het gereedschap zoeken dat moet worden geannuleerd.
		<input type="checkbox"/> (snel: 5 keer/sec)		Zolang de knop voor draadloos inschakelen ingedrukt wordt gehouden.	Klaar om alle registraties van gereedschappen te wissen.
		<input type="checkbox"/>		2 seconden	De registratie van het gereedschap is geannuleerd/gewist. De lamp van draadloos inschakelen knippert blauw.
Overig	Rood	<input type="checkbox"/>		3 seconden	De draadloos-eenheid wordt van stroom voorzien en de functie voor draadloos inschakelen start nu op.
	Uit	-		-	De standbyschakelaar is niet op "AUTO" gezet.

Storingzoeken van de functie voor draadloos inschakelen

Alvorens u verzoekt om reparatie, kunt u zelf als volgt het probleem opsporen en oplossen. Als u met een probleem kampt dat in deze handleiding niet wordt beschreven, probeer dan niet het gereedschap te demonteren. Laat reparaties over aan een erkend Makita-servicecentrum, uitsluitend met gebruik van originele Makita-ervangingsonderdelen.

Probleemomschrijving	Waarschijnlijke oorzaak (storing)	Oplossing
De lamp van draadloos inschakelen brandt/knippert niet.	De draadloos-eenheid is niet aangebracht in de stofzuiger en/of het gereedschap. De draadloos-eenheid is niet correct aangebracht in de stofzuiger en/of het gereedschap.	Breng de draadloos-eenheid correct aan.
	Er is niet op de knop voor draadloos inschakelen op het gereedschap gedrukt.	Druk kort op de knop voor draadloos inschakelen op het gereedschap.
	De standbyschakelaar op de stofzuiger is niet op "AUTO" gezet.	Zet de standbyschakelaar op de stofzuiger op "AUTO".
	Geen voeding.	Voorzie het gereedschap en de stofzuiger van voeding.

Probleemomschrijving	Waarschijnlijke oorzaak (storing)	Oplossing
De registratie van het gereedschap/ het annuleren van de registratie van het gereedschap kan niet met succes worden voltooid.	De draadloos-eenheid is niet aangebracht in de stofzuiger en/of het gereedschap. De draadloos-eenheid is niet correct aangebracht in de stofzuiger en/of het gereedschap.	Breng de draadloos-eenheid correct aan.
	De standbyschakelaar op de stofzuiger is niet op "AUTO" gezet.	Zet de standbyschakelaar op de stofzuiger op "AUTO".
	Geen voeding.	Voorzie het gereedschap en de stofzuiger van voeding.
	Onjuiste bediening	Druk kort op de knop voor draadloos inschakelen en voer de procedures voor de registratie/het annuleren van de registratie opnieuw uit.
	Het gereedschap en de stofzuiger staan te ver uit elkaar (buiten het zendbereik).	Plaats het gereedschap en de stofzuiger dicht bij elkaar. Het maximale zendbereik is ongeveer 10 meter, echter, dit kan verschillen afhankelijk van de omstandigheden.
	Voordat de registratie van het gereedschap/het annuleren van de registratie van het gereedschap werd voltooid: - de schakelaar van het gereedschap werd aan gezet of; - de aan-uitknop op de stofzuiger werd ingeschakeld.	Druk kort op de knop voor draadloos inschakelen en voer de procedures voor de registratie/het annuleren van de registratie opnieuw uit.
	De procedure voor de registratie van het gereedschap op het gereedschap of de stofzuiger is niet voltooid.	Voer de procedure voor de registratie van het gereedschap tegelijkertijd uit op het gereedschap en de stofzuiger.
	Radiostoring door andere apparaten die sterke radiogolven genereren.	Houd het gereedschap en de stofzuiger uit de buurt van apparaten zoals Wi-Fi-apparaten en magnetrons.
De stofzuiger wordt niet in- en uitgeschakeld tegelijk met de bediening van de schakelaar van het gereedschap.	De draadloos-eenheid is niet aangebracht in de stofzuiger en/of het gereedschap. De draadloos-eenheid is niet correct aangebracht in de stofzuiger en/of het gereedschap.	Breng de draadloos-eenheid correct aan.
	Er is niet op de knop voor draadloos inschakelen op het gereedschap gedrukt.	Druk kort op de knop voor draadloos inschakelen en controleer of de lamp van draadloos inschakelen blauw knippert.
	De standbyschakelaar op de stofzuiger is niet op "AUTO" gezet.	Zet de standbyschakelaar op de stofzuiger op "AUTO".
	Meer dan 10 gereedschappen zijn geregistreerd in de stofzuiger.	Voer de registratie van het gereedschap opnieuw uit. Als meer dan 10 gereedschappen in de stofzuiger zijn geregistreerd, wordt de eerste registratie van een gereedschap automatisch gewist.
	De stofzuiger heeft alle registraties van gereedschappen gewist.	Voer de registratie van het gereedschap opnieuw uit.
	Geen voeding.	Voorzie het gereedschap en de stofzuiger van voeding.
	Het gereedschap en de stofzuiger staan te ver uit elkaar (buiten het zendbereik).	Plaats het gereedschap en de stofzuiger dicht bij elkaar. Het maximale zendbereik is ongeveer 10 meter, echter, dit kan verschillen afhankelijk van de omstandigheden.
	Radiostoring door andere apparaten die sterke radiogolven genereren.	Houd het gereedschap en de stofzuiger uit de buurt van apparaten zoals Wi-Fi-apparaten en magnetrons.
De stofzuiger is ingeschakeld terwijl het gereedschap niet in gebruik is.	Andere gebruikers gebruiken op hun gereedschap de functie voor draadloos inschakelen van de stofzuiger.	Schakel de knop voor draadloos inschakelen van de andere gereedschappen uit of annuleer de registratie van de andere gereedschappen.

Probleemomschrijving	Waarschijnlijke oorzaak (storing)	Oplossing
Kan alle registraties van gereedschappen in de stofzuiger niet wissen.	Drukken op de knop voor draadloos inschakelen op het gereedschap.	Druk op de knop voor draadloos inschakelen op de stofzuiger om alle registraties van gereedschappen te wissen.
	De standbyschakelaar op de stofzuiger is niet op "AUTO" gezet.	Zet de standbyschakelaar op de stofzuiger op "AUTO".
	De knop voor draadloos inschakelen wordt niet correct ingedrukt gehouden.	Houd de knop voor draadloos inschakelen langer dan 6 seconden ingedrukt en laat hem los nadat de lamp van draadloos inschakelen rood knippert. Houd de knop voor draadloos inschakelen nogmaals langer dan 6 seconden ingedrukt totdat de knop voor draadloos inschakelen snel rood knippert, en laat daarna de knop los.

ONDERHOUD

⚠ LET OP: Verzeker u er altijd van dat het apparaat is uitgeschakeld en de accu's zijn verwijderd voordat u inspectie- of onderhoudswerkzaamheden uitvoert.

KENNISGEVING: Gebruik nooit benzine, wasbenzine, thinner, alcohol en dergelijke. Hierdoor kunnen verkleuring, vervormingen en barsten worden veroorzaakt.

Om de VEILIGHEID en BETROUWBAARHEID van het gereedschap te handhaven, dienen alle reparaties, onderhoud of afstellingen te worden uitgevoerd bij een erkend Makita-servicecentrum of de Makita-fabriek, en altijd met gebruik van Makita-vervangingsonderdelen.

De filtereenheid verwijderen

⚠ LET OP: Wacht 5 minuten zodat het stof in de tank volledig is neergedaald.

⚠ LET OP: Wees voorzichtig dat het stof niet binnendringt in het tankdeksel wanneer u de filtereenheid verwijdert.

De filtereenheid is bevestigd aan de hoofdeenheid. Deze bestaat uit een bovenplaat, voorfilters, dempers en poederfilters.

1. Ontgrendel de vergrendelhaken en til de hoofdeenheid van de tank af.
2. Verwijder de filtereenheid vanaf de hoofdeenheid, zoals aangegeven in de afbeelding.

► **Fig.35:** 1. Vergrendeling 2. Filtereenheid

Het poederfilter en voorfilter verwijderen

Pak de knop beet en verwijder de filters vanaf de bovenplaat.

► **Fig.36:** 1. Bovenplaat 2. Filters 3. Knop

Om te voorkomen dat stof zich in de lucht verspreidt, verdient het de voorkeur om de filters binnenin een polyethyleenzak te verwijderen.

Als u de filtereenheid verplaatst om hem schoon te maken, knoopt u de polyethyleenzak goed dicht.

► **Fig.37:** 1. Filtereenheid 2. Polyethyleenzak

► **Fig.38:** 1. Bovenplaat 2. Filters 3. Polyethyleenzak

Het poederfilter, voorfilter en demper schoonmaken

Maak de filters en demper regelmatig schoon. Verstopte filters en demper kunnen leiden tot slechte zuigprestaties.

Verwijder regelmatig het verzamelde stof vanaf de filters en demper.

Was af en toe het poederfilter, het voorfilter en de demper in water, spoel ze af en laat ze goed drogen in de schaduw voordat u ze weer gebruikt. Was ze nooit in een wasmachine.

► **Fig.39**

OPMERKING: Schrob of kras het poederfilter, het voorfilter of de demper nooit met harde voorwerpen, zoals een borstel of een schuurspons.

OPMERKING: De filters verslijten na verloop van tijd. Wij adviseren u ze in reserve paraat te houden.

Het poederfilter en voorfilter aanbrengen

KENNISGEVING: Het poederfilter en voorfilter kunnen zowel droog stof als nat stof opnemen. Verzeker u ervan dat de waterniveausensoren goed werken om te voorkomen dat het poederfilter kapot gaat.

Haak de randen van de filtereenheid in de bovenplaat en laat hem daarna aan de knop zakken.

► **Fig.40:** 1. Rand 2. Knop

KENNISGEVING: Alvorens het poederfilter te gebruiken, verzekert u zich ervan dat het voorfilter en de demper tezamen worden gebruikt. Het is niet toegestaan om het poederfilter alleen te gebruiken.

De filters monteren

Als u de filters los ontvangt, monteert u ze zoals aangegeven in de afbeelding.

► **Fig.41:** 1. Poederfilter 2. Demper 3. Voorfilter

De filtereenheid aanbrengen

Nadat de filters zijn aangebracht in de bovenplaat, haakt u de uitsparingen op de filters in de U-vormige delen op de binnenkant van de hoofdeenheid. Vergrendel daarna de vergrendeling, zoals aangegeven in de afbeelding.

- **Fig.42:** 1. U-vormig deel 2. Uitsparing
3. Vergrendeling

Het waterfilter aanbrengen

Optioneel accessoire

KENNISGEVING: Voor het opzuigen van nat stof verzekert u zich ervan dat de waterniveausensoren goed werken.

KENNISGEVING: Gebruik het voorfilter en de demper niet wanneer u een waterfilter gebruikt.

Om alleen water of nat stof op te zuigen, is het waterfilter beter geschikt dan het poederfilter en voorfilter. Bij het aanbrengen van het waterfilter, bevestigt u het waterfilter aan de bovenplaat op dezelfde manier als het poederfilter en voorfilter.

- **Fig.43**

OPMERKING: Wij adviseren u het waterfilter te gebruiken wanneer u herhaaldelijk grote hoeveelheden water opzuigt. Bij gebruik van een poederfilter en voorfilter kan in dat geval de zuigkracht lager zijn.

De waterniveausensoren schoonmaken

De waterniveausensoren detecteren vloeistof wanneer de tank vol raakt met vloeistof. Maak de waterniveausensoren regelmatig schoon met een zachte doek wanneer u de filters vervangt.

- **Fig.44:** 1. Waterniveausensor

Bewaren van accessoires

Accessoires en hulpstukken die niet worden gebruikt, zoals mondstukken en buizen, kunnen worden opgehangen aan de haak op de achterkant van de stofzuiger.

- **Fig.45:** 1. Accessoire en hulpstuk niet in gebruik

Buizen (met een optionele stop aangebracht) kunnen in de buishouder worden geplaatst wanneer de stofzuiger gedurende een korte tijd niet wordt gebruikt.

- **Fig.46:** 1. Stop (optioneel accessoire)
2. Buishouder

De slang kan in grote cirkels rond de behuizing of handgreep van de stofzuiger worden gewikkeld en opgeborgen. Sluit de beide uiteinden ervan op elkaar aan om de cirkels te sluiten, en haak de cirkels aan de rechtopstaande handgreep. U kunt ook het achterste uiteinde aangesloten laten zitten op de slangaansluiting van de stofzuiger en de cirkel aan de multahaak hangen met het losse slanguiteinde ergens aan vastgemaakt.

- **Fig.47**

- **Fig.48**

OPTIONELE ACCESSOIRES

⚠ LET OP: Deze accessoires of hulpstukken worden aanbevolen voor gebruik met het Makita gereedschap dat in deze gebruiksaanwijzing is beschreven. Bij gebruik van andere accessoires of hulpstukken bestaat het gevaar van persoonlijke letsel. Gebruik de accessoires of hulpstukken uitsluitend voor hun bestemde doel.

Wenst u meer bijzonderheden over deze accessoires, neem dan contact op met het plaatselijke Makita-servicecentrum.

- Slang
- Voorste aansluitstukken (22, 24, 38)
- Rechte buis
- Hoekmondstuk
- Ronde borstel
- Poederfilter M, H (HEPA)
- Demper
- Voorfilter
- Waterfilter
- Mondstuk compleet
- Bochtbuis
- Polyethyleenzak
- Filterzak
- Originele Makita accu's en acculaders
- Draadloos-eenheid
- MAKPAC

OPMERKING: Sommige items op de lijst kunnen zijn inbegrepen in de doos van het gereedschap als standaard toebehoren. Deze kunnen van land tot land verschillen.

ADVERTENCIA

- Esta máquina no ha sido prevista para ser utilizada por personas (incluidos niños) con capacidades físicas, sensoriales o mentales reducidas, o falta de experiencia y conocimiento.
- Los niños pequeños deberán ser supervisados para asegurarse de que no juegan con la aspiradora.
- Consulte el capítulo "ESPECIFICACIONES" para ver la referencia del tipo de batería.
- Consulte la sección "Instalación o extracción del cartucho de batería" para ver cómo retirar o instalar la batería.
- Para desechar el cartucho de batería, retírelo de la herramienta y deséchelo en un lugar seguro. Siga los reglamentos locales referentes al desecho de la batería.
- Si la herramienta no va a ser utilizada durante un periodo de tiempo largo, la batería deberá ser retirada de la herramienta.
- No cortocircuite el cartucho de batería.
- Consulte el capítulo "MANTENIMIENTO" para ver los detalles apropiados de las precauciones durante el mantenimiento hecho por el usuario.

ESPECIFICACIONES

Modelo:		VC007GL
Volumen máximo de aire en el extremo de la manguera	Con BL4050F, manguera de ø28 mm x 3,5 m	2,0 m ³ /min
	Con BL4050F, manguera de ø38 mm x 2,5 m	3,7 m ³ /min
Volumen máximo de aire en la turbina (con BL4050F)		4,9 m ³ /min
Aspiración (con BL4050F)		18 kPa
Capacidad recuperable	Polvo	40 L
	Agua	30 L
Dimensiones (La x An x Al)		586 mm x 385 mm x 598 mm
Tensión nominal		CC 72 V - 80 V máx.
Peso neto		18,3 - 20,7 kg
Grado de protección		IPX4

- Debido a nuestro continuado programa de investigación y desarrollo, las especificaciones aquí dadas están sujetas a cambios sin previo aviso.
- Las especificaciones pueden variar de un país a otro.
- El peso no incluye accesorios excepto el cartucho(s) de batería. El peso de las combinaciones menos pesada y más pesada del aparato y cartucho(s) de batería se muestra en la tabla.

Cartucho de batería y cargador aplicables

Cartucho de batería	BL4020 / BL4025 / BL4040* / BL4050F* / BL4080F* * : Batería recomendada
Cargador	DC40RA / DC40RB / DC40RC / DC40WA / BCC01 / BCC02

- Algunos de los cartuchos de batería y cargadores indicados arriba puede que no estén disponibles dependiendo de su región de residencia.

⚠ ADVERTENCIA: Utilice solamente los cartuchos de batería y cargadores indicados arriba. La utilización de cualquier otro cartucho de batería y cargador puede ocasionar heridas y/o un incendio.

Símbolos

A continuación se muestran los símbolos que pueden ser utilizados para el equipo. Asegúrese de que entiende su significado antes de utilizar.



Lea el manual de instrucciones.



Preste cuidado y atención especiales.



¡Advertencia! La aspiradora puede contener polvo peligroso.



No se ponga nunca encima de la aspiradora.



No ponga nunca nada que pese más de 20 kg (44 lbs) encima de la aspiradora.



Polvo de clase L (ligero). Las aspiradoras son capaces de recoger polvo de clase L. Siga los reglamentos de su país en relación con el polvo y la salud y seguridad laborales.



Sólo para países de la Unión Europea. Debido a la presencia de componentes peligrosos en el equipo, el equipo eléctrico y electrónico, los acumuladores y las baterías desechados pueden tener un impacto negativo para el medioambiente y la salud humana.

¡No tire los aparatos eléctricos y electrónicos ni las baterías junto con los residuos domésticos!

De conformidad con las Directivas Europeas sobre residuos de aparatos eléctricos y electrónicos y sobre acumuladores y baterías y residuos de acumuladores y baterías, así como la adaptación de las mismas a la ley nacional, el equipo eléctrico, las baterías y los acumuladores desechados deberán ser almacenados por separado y trasladados a un punto distinto de recogida de desechos municipales, que cumpla con los reglamentos sobre protección medioambiental.

Esto se indica mediante el símbolo de cubo de basura tachado colocado en el equipo.

Uso previsto

El aparato ha sido previsto para recoger tanto polvo seco como mojado. El aparato es apropiado para uso comercial, por ejemplo, en hoteles, escuelas, hospitales, fábricas, tiendas, oficinas y negocios de alquiler.

Ruido

El nivel de ruido A-ponderado típico determinado de acuerdo con la norma EN60335-2-69:

Nivel de presión sonora (L_{pA}): 70 dB (A) o menos

Error (K): 2,5 dB (A)

El nivel de ruido en situación de trabajo puede exceder 80 dB (A).

NOTA: El valor (o los valores) de emisión de ruido declarado ha sido medido de acuerdo con un método de prueba estándar y se puede utilizar para comparar una herramienta con otra.

NOTA: El valor (o valores) de emisión de ruido declarado también se puede utilizar en una valoración preliminar de exposición.

⚠ADVERTENCIA: Póngase protectores para oídos.

⚠ADVERTENCIA: La emisión de ruido durante la utilización real de la herramienta eléctrica puede variar del valor (o los valores) de emisión declarado dependiendo de las formas en las que la herramienta sea utilizada, especialmente qué tipo de pieza de trabajo se procesa.

⚠ADVERTENCIA: Asegúrese de identificar medidas de seguridad para proteger al operario que estén basadas en una estimación de la exposición en las condiciones reales de utilización (teniendo en cuenta todas las partes del ciclo operativo como las veces cuando la herramienta está apagada y cuando está funcionando en vacío además del tiempo de gatillo).

Vibración

El valor total de la vibración (suma de vectores triaxiales) determinado de acuerdo con la norma EN60335-2-69:

Emisión de vibración ($a_{h,M}$): 2,5 m/s² o menos

Error (K): 1,5 m/s²

NOTA: El valor (o los valores) total de emisión de vibración declarado ha sido medido de acuerdo con un método de prueba estándar y se puede utilizar para comparar una herramienta con otra.

NOTA: El valor (o los valores) total de emisión de vibración declarado también se puede utilizar en una valoración preliminar de exposición.

⚠ADVERTENCIA: La emisión de vibración durante la utilización real de la herramienta eléctrica puede variar del valor (o los valores) de emisión declarado dependiendo de las formas en las que la herramienta sea utilizada, especialmente qué tipo de pieza de trabajo se procesa.

⚠ADVERTENCIA: Asegúrese de identificar medidas de seguridad para proteger al operario que estén basadas en una estimación de la exposición en las condiciones reales de utilización (teniendo en cuenta todas las partes del ciclo operativo como las veces cuando la herramienta está apagada y cuando está funcionando en vacío además del tiempo de gatillo).

Declaraciones de conformidad

Para países europeos solamente

Las declaraciones de conformidad están incluidas como Anexo A de este manual de instrucciones.

ADVERTENCIAS DE SEGURIDAD

Advertencias de seguridad para la aspiradora a batería

⚠️ ADVERTENCIA: ¡IMPORTANTE! LEA CON ATENCIÓN todas las advertencias de seguridad y todas las instrucciones ANTES DE UTILIZAR. No seguir las advertencias e instrucciones puede resultar en una descarga eléctrica, un incendio y/o heridas graves.

1. Antes de utilizar, asegúrese de que esta aspiradora sea utilizada por personas que han sido instruidas adecuadamente sobre cómo usar esta aspiradora.
2. Antes de utilizar, a los operarios se les deberá proveer información, instrucciones y adiestramiento para la utilización de la máquina y las sustancias para las que se va a utilizar, incluyendo el método seguros de remoción y desecho del material recogido.
3. Si emerge espuma/líquido, apague inmediatamente.
4. Limpie el dispositivo de limitación del nivel de agua regularmente y examínelo por si hay señales de daños.
5. Asegúrese siempre de que los filtros están instalados correctamente antes de utilizar. No utilice la aspiradora sin estar instalados los filtros. Reemplace un filtro dañado inmediatamente. Se recomienda tener algunos de repuesto porque los filtros son artículos de consumo.
6. **EVITE UNA PUESTA EN MARCHA INVOLUNTARIA.** Asegúrese de que el interruptor está desactivado cuando instale la batería(s).
7. No intente recoger materiales inflamables, fuegos de artificio, cigarrillos encendidos, cenizas calientes, virutas metálicas calientes ni materiales cortantes como cuchillas de afeitar, agujas, cristales rotos o similares.
8. **NO UTILICE NUNCA LA ASPIRADORA CERCA DE GASOLINA, GAS, PINTURA, ADHESIVOS U OTRAS SUSTANCIAS ALTAMENTE EXPLOSIVAS.** El interruptor emite chispas cuando se activa y desactiva. Y también lo hace el conmutador del motor durante la operación. Puede resultar en una peligrosa explosión.
9. Nunca aspire materiales tóxicos, cancerígenos, combustibles u otros materiales peligrosos como asbestos, arsénico, bario, berilio, plomo, pesticidas, u otros materiales que puedan poner en peligro la salud.
10. Ponga siempre la aspiradora sobre una superficie horizontal plana para evitar que se caiga o se mueva accidentalmente.
11. No utilice nunca la aspiradora en exteriores bajo la lluvia.
12. Para Finlandia, esta máquina no es para ser usada en exteriores con temperatura baja.
13. No utilice cerca de fuentes de calor (estufas, etc.).
14. Si el aire expulsado es devuelto a la habitación, será necesario proveer un régimen adecuado de cambio de aire en la habitación. Consultar las normativas nacionales es necesario.
15. No bloquee las aberturas de la boca de succión/salida/ventilación. Estas aberturas permiten enfriar el motor. Deberá evitarse con cuidado que no se bloqueen, de lo contrario el motor se quemará debido a la falta de ventilación.
16. Mantenga los pies sobre suelo firme y el equilibrio en todo momento.
17. No doble, pise o tire con fuerza de la manguera.
18. Detenga la aspiradora inmediatamente si nota un mal rendimiento o algo anormal durante la operación.
19. **RETIRE LA BATERÍA(S).** Cuando no esté siendo utilizada, antes de realizar mantenimiento, y cuando cambie accesorios.
20. Limpie y haga el mantenimiento a la aspiradora inmediatamente después de cada utilización para mantenerla en las mejores condiciones de operación.
21. **MANTENGA LA ASPIRADORA CON CUIDADO.** Mantenga la aspiradora limpia para obtener un mejor y más seguro rendimiento. Siga las instrucciones cuando cambie accesorios. Mantenga los asideros secos, limpios y libres de aceite y grasa.
22. **COMPRUEBE LAS PARTES DAÑADAS.** Antes de seguir utilizando la aspiradora, un protector o cualquier otra parte que se haya dañado deberá inspeccionarse cuidadosamente para determinar que funcionará debidamente y que realizará la función para la que ha sido previsto. Compruebe la alineación de las partes móviles, la unión de las partes móviles, rotura de partes, montaje, y cualquier otra condición que pueda afectar a su operación. Un protector o cualquier otra parte que se haya dañado deberá repararse o reemplazarse debidamente en un centro de servicio autorizado a menos que se indique otra cosa en algún otro sitio en este manual de instrucciones. Pida a un centro de servicio autorizado que le reemplacen los interruptores defectuosos. No utilice la aspiradora si el interruptor no la enciende y apaga.
23. Para el servicio hecho por el usuario, hay que desmontar, limpiar y hacer el servicio a la máquina, hasta el punto que sea razonablemente factible, sin causar riesgo al personal de mantenimiento ni a otros.
24. La máquina deberá ser inspeccionada técnicamente por el fabricante, o una persona adiestrada, al menos una vez al año, consistiendo en, por ejemplo, inspección de los filtros por si están dañados, hermeticidad de la máquina y funcionamiento apropiado del mecanismo de control.

25. Cuando realice operaciones de servicio de mantenimiento o reparación, todos los elementos contaminados que no se puedan limpiar satisfactoriamente deberán ser desechados; tales elementos deberán ser desechados en bolsas impenetrables de acuerdo con cualquier reglamento actual para el desecho de dichos residuos.
26. **PIEZAS DE REPUESTO.** Cuando haga el mantenimiento, utilice solamente piezas de repuesto idénticas.
27. **GUARDE LA ASPIRADORA SI NO LA ESTÁ UTILIZANDO.** Cuando no esté siendo utilizada, la aspiradora deberá estar guardada en interiores.
28. Los filtros mojados y la parte interior del contenedor de líquido deberán ser secados antes de almacenar.
29. Sea amable con su aspiradora. Un manejo brusco puede ocasionar la rotura de incluso la aspiradora más robusta.
30. No intente limpiar el interior o exterior con bencina, diluyente o productos químicos de limpieza. Podrá ocasionar grietas o decoloración.
31. No utilice la aspiradora en un espacio cerrado donde puedan desprenderse vapores inflamables, explosivos o tóxicos de pintura a base de aceite, disolventes de pintura, gasolina, algunas sustancias contra las polillas, etc., o en áreas donde haya polvo inflamable.
32. No opere esta o cualquier otra herramienta bajo la influencia de drogas o alcohol.
33. Como norma básica de seguridad, utilice gafas de protección o gafas de seguridad con escudos laterales.
34. Utilice una máscara contra el polvo en condiciones de trabajo polvorientas.
35. Esta máquina no ha sido prevista para ser utilizada por personas (incluidos niños) con capacidades físicas, sensoriales o mentales reducidas, o falta de experiencia y conocimiento.
36. Los niños pequeños deberán ser supervisados para asegurarse de que no juegan con la aspiradora.
37. No maneje nunca la batería(s) y la aspiradora con las manos mojadas.
38. Tenga mucho cuidado cuando limpie en escaleras.
39. No utilice la aspiradora como taburete o mesa de trabajo. La máquina podrá caerse y resultar en heridas personales.

Utilización y cuidado de la herramienta a batería

1. Cargue la batería solamente con el cargador especificado por el fabricante. Un cargador que es apropiado para un tipo de batería puede crear un riesgo de incendio cuando se utiliza con otra batería.
2. Utilice las herramientas eléctricas solamente con las baterías designadas específicamente para ellas. La utilización de cualquier otra batería puede crear un riesgo de heridas o incendio.
3. Cuando la batería no esté siendo utilizada, guárdela alejada de otros objetos metálicos,

como sujetapapeles, monedas, llaves, clavos, tornillos u otros objetos metálicos pequeños, que puedan hacer conexión entre un terminal y el otro. Si se cortocircuitan entre sí los terminales de la batería podrán producirse quemaduras o un incendio.

4. En condiciones abusivas, es posible que salga expulsado líquido de la batería; evite el contacto con él. Si se produce un contacto accidental, enjuague con agua. Si el líquido entra en los ojos, además de enjuagarlos, solicite asistencia médica. El líquido expulsado de la batería puede ocasionar irritación y quemaduras.
5. No utilice una batería o herramienta que esté dañada o modificada. Las baterías dañadas o modificadas pueden comportarse de forma impredecible resultando en un incendio, explosión o riesgo de heridas.
6. No exponga una batería o herramienta al fuego o a temperatura excesiva. La exposición al fuego o a una temperatura superior a los 130 °C puede ocasionar una explosión.
7. Siga todas las instrucciones de carga y no cargue la batería o la herramienta fuera del rango de temperatura especificado en las instrucciones. Cargar incorrectamente o a temperaturas fuera del rango especificado puede dañar la batería y aumentar el riesgo de incendio.

GUARDE ESTAS INSTRUCCIONES.

⚠ADVERTENCIA: NO deje que la comodidad o familiaridad con el producto (a base de utilizarlo repetidamente) sustituya la estricta observancia de las normas de seguridad para el producto en cuestión. El MAL USO o el no seguir las normas de seguridad establecidas en este manual de instrucciones podrá ocasionar heridas personales graves.

Instrucciones de seguridad importantes para el cartucho de batería

1. Antes de utilizar el cartucho de batería, lea todas las instrucciones e indicaciones de precaución sobre (1) el cargador de baterías, (2) la batería, y (3) el producto con el que se utiliza la batería.
2. No desensamble ni manipule el cartucho de batería. Podrá resultar en un incendio, calor excesivo, o una explosión.
3. Si el tiempo de uso se acorta demasiado, cese la operación inmediatamente. Podría resultar en un riesgo de recalentamiento, posibles quemaduras e incluso una explosión.
4. Si entra electrolito en sus ojos, aclárelos con agua limpia y acuda a un médico inmediatamente. Existe el riesgo de poder perder la vista.
5. No cortocircuite el cartucho de batería:
 - (1) No toque los terminales con ningún material conductor.

(2) Evite guardar el cartucho de batería en un cajón junto con otros objetos metálicos, como clavos, monedas, etc.

(3) No exponga el cartucho de batería al agua ni a la lluvia.

Un cortocircuito en la batería puede producir una gran circulación de corriente, un recalentamiento, posibles quemaduras e incluso una rotura de la misma.

6. No guarde ni utilice la herramienta y el cartucho de batería en lugares donde la temperatura pueda alcanzar o exceder los 50 °C.
7. Nunca incinere el cartucho de batería incluso en el caso de que esté dañado seriamente o ya no sirva en absoluto. El cartucho de batería puede explotar si se tira al fuego.
8. No clave, corte, aplaste, lance, deje caer el cartucho de batería, ni golpee contra un objeto duro el cartucho de batería. Tal conducta podrá resultar en un incendio, calor excesivo, o una explosión.
9. No utilice una batería dañada.
10. Las baterías de litio-ion contenidas están sujetas a los requisitos de la Legislación para Materiales Peligrosos.
Para transportes comerciales, p.ej., por terceras personas y agentes de transportes, se deberán observar requisitos especiales para el empaquetado y etiquetado.
Para la preparación del artículo que se va a enviar, se requiere consultar con un experto en materiales peligrosos. Por favor, observe también la posibilidad de reglamentos nacionales más detallados.
Cubra con cinta aislante o enmascare los contactos expuestos y empaquete la batería de tal manera que no se pueda mover alrededor dentro del embalaje.
11. Para deshechar el cartucho de batería, retírelo de la herramienta y deséchelo en un lugar seguro. Siga los reglamentos locales referentes al desecho de la batería.
12. Utilice las baterías solamente con los productos especificados por Makita. La instalación de las baterías en productos no compatibles puede resultar en un incendio, calor excesivo, explosión, o fuga de electrolito.
13. Si la herramienta no va a ser utilizada durante un periodo de tiempo largo, la batería deberá ser retirada de la herramienta.
14. Durante y después de la utilización, el cartucho de batería podrá acumular calor, lo cual puede ocasionar quemaduras o quemaduras de baja temperatura. Preste atención al manejo de cartuchos de batería calientes.
15. No toque el terminal de la herramienta inmediatamente después de utilizar, dado que puede calentarse lo suficiente como para ocasionar quemaduras.
16. No permita que virutas, polvo, o tierra se adhieran dentro de los terminales, orificios, y ranuras del cartucho de batería. Esto podría ocasionar calentamiento, que coja fuego, reviente y un mal funcionamiento de la herramienta o el cartucho de batería, resultando en quemaduras o

heridas personales.

17. A menos que la herramienta pueda utilizarse cerca de cables eléctricos de alta tensión, no utilice el cartucho de batería cerca de cables eléctricos de alta tensión. Podrá resultar en un mal funcionamiento o rotura de la herramienta o el cartucho de batería.
18. Mantenga la batería alejada de los niños.

GUARDE ESTAS INSTRUCCIONES.

⚠PRECAUCIÓN: Utilice solamente baterías genuinas de Makita. La utilización de baterías no genuinas de Makita, o baterías que han sido alteradas, puede resultar en una explosión de la batería ocasionando incendios, heridas personales y daños. También anulará la garantía de Makita para la herramienta y el cargador de Makita.

Consejos para alargar al máximo la vida de servicio de la batería

1. Cargue el cartucho de batería antes de que se descargue completamente. Detenga siempre la operación y cargue el cartucho de batería cuando note menos potencia en la herramienta.
2. No cargue nunca un cartucho de batería que esté completamente cargado. La sobrecarga acortará la vida de servicio de la batería.
3. Cargue el cartucho de batería a temperatura ambiente de 10 °C - 40 °C. Si un cartucho de batería está caliente, déjelo enfriar antes de cargarlo.
4. Cuando no esté utilizando el cartucho de batería, retírelo de la herramienta o del cargador.
5. Cargue el cartucho de batería si no lo utiliza durante un periodo de tiempo prolongado (más de seis meses).

Instrucciones de seguridad importantes para la unidad inalámbrica

1. No abra nunca la tapa de la ranura usted mismo una vez instalada la unidad inalámbrica.
2. No desmonte o manipule la unidad inalámbrica.
3. Mantenga la unidad inalámbrica alejada de niños pequeños. Si se ingiere accidentalmente, solicite atención médica inmediatamente.
4. Utilice la unidad inalámbrica solamente con herramientas Makita.
5. No exponga la unidad inalámbrica a la lluvia o a condiciones que se pueda mojar.
6. No utilice la unidad inalámbrica en lugares donde la temperatura exceda los 50 °C.
7. No utilice la unidad inalámbrica en lugares donde se encuentren cerca instrumentos médicos, tales como marcapasos cardiacos.
8. No utilice la unidad inalámbrica en lugares

donde se encuentren cerca dispositivos automatizados. Si la utiliza, los dispositivos automatizados podrán desarrollar un mal funcionamiento error.

9. No utilice la unidad inalámbrica en lugares de temperatura alta o lugares donde se pueda generar electricidad estática o ruido eléctrico.
10. La unidad inalámbrica puede producir campos electromagnéticos (CEM), pero no son perjudiciales para el usuario.
11. La unidad inalámbrica es un instrumento de precisión. Tenga cuidado de no dejar caer o golpear la unidad inalámbrica.
12. Evite tocar el terminal de la unidad inalámbrica con las manos desnudas o materiales metálicos.
13. Retire siempre la batería del producto cuando vaya a instalar la unidad inalámbrica en él.
14. Cuando abra la tapa de la ranura, evite los lugares donde polvo y agua puedan entrar en la ranura. Mantenga siempre limpia la abertura de la ranura.
15. Inserte siempre la unidad inalámbrica en la dirección correcta.
16. No presione el botón de activación inalámbrica en la unidad inalámbrica con fuerza ni presione el botón con un objeto de borde cortante.
17. Cierre siempre la tapa de la ranura cuando esté realizando operaciones.
18. No retire la unidad inalámbrica de la ranura mientras se esté suministrando alimentación a la herramienta. Si lo hace podrá ocasionar un mal funcionamiento de la unidad inalámbrica.
19. No retire la etiqueta adhesiva de la unidad inalámbrica.
20. No ponga ninguna etiqueta adhesiva en la unidad inalámbrica.
21. No deje la unidad inalámbrica en un lugar donde se pueda generar electricidad estática o ruido eléctrico.
22. No deje la unidad inalámbrica en un lugar expuesto a mucho calor, tal como dentro de un automóvil aparcado al sol.
23. No deje la unidad inalámbrica en un lugar polvoriento o polvoroso o en un lugar donde se pueda generar gas corrosivo.
24. Un cambio repentino de la temperatura puede cubrir de rocío la unidad inalámbrica. No utilice la unidad inalámbrica hasta que el rocío se haya secado completamente.
25. Cuando limpie la unidad inalámbrica, frote con cuidado con un paño suave y seco. No utilice bencina, disolvente, grasa conductora o algo similar.
26. Cuando almacene la unidad inalámbrica, manténgala en la funda suministrada o en un contenedor libre de electricidad estática.
27. No inserte ningún dispositivo excepto la unidad inalámbrica de Makita en la ranura de la herramienta.
28. No utilice la herramienta con la tapa de la ranura dañada. Si entra en la ranura agua, polvo o suciedad puede ocasionar un mal

funcionamiento.

29. **No tire de la tapa de la ranura ni la retuerza más de lo necesario.** Vuelva a colocar la tapa si se desprende de la herramienta.
30. **Reemplace la tapa de la ranura si se pierde o se daña.**

GUARDE ESTAS INSTRUCCIONES.

DESCRIPCIÓN DEL FUNCIONAMIENTO

⚠PRECAUCIÓN: Asegúrese siempre de que el aparato está apagado y los cartuchos de batería han sido retirados antes de ajustar o comprobar una función en el aparato.

Instalación o extracción del cartucho de batería

⚠PRECAUCIÓN: Apague siempre la herramienta antes de instalar o extraer el cartucho de batería.

⚠PRECAUCIÓN: Sujete la aspiradora y el cartucho de batería con firmeza cuando instale o extraiga el cartucho de batería. Si no sujeta la aspiradora y el cartucho de batería firmemente podrá ocasionar que se deslicen de sus manos y resultar en daños a la aspiradora y el cartucho de batería y heridas personales.

⚠PRECAUCIÓN: Tenga cuidado de no pillarse los dedos cuando abra o cierre la tapa de la batería. En caso contrario podrán producirse heridas personales.

Para instalar el cartucho de batería, primero libere el bloqueo, y después abra la tapa de la batería. Después de eso, inserte el cartucho de batería.

► **Fig.1:** 1. Bloqueo 2. Tapa de la batería

Alinee la lengüeta del cartucho de batería con la acañaladura en el alojamiento y deslícelo al interior hasta encajarlo en su sitio. Insértelo a fondo hasta que se bloquee en su sitio con un leve chasquido. Después bloquee la tapa de la batería.

► **Fig.2:** 1. Cartucho de batería 2. Botón

Para retirar el cartucho de batería, deslícelo hacia afuera de la herramienta mientras desliza el botón en la parte delantera del cartucho.

⚠PRECAUCIÓN: Instale siempre el cartucho de batería completamente. En caso contrario, podrá caerse accidentalmente de la aspiradora, ocasionando heridas a usted o a alguien alrededor de usted.

⚠PRECAUCIÓN: No instale el cartucho de batería empleando fuerza. Si el cartucho no se desliza al interior fácilmente, será porque no está siendo insertado correctamente.

NOTA: La aspiradora no funciona con solamente un cartucho de batería.

Modo de indicar la capacidad de batería restante

Presione el botón de comprobación en el cartucho de batería para indicar la capacidad de batería restante. Las lámparas indicadoras se iluminan durante unos pocos segundos.

► **Fig.3:** 1. Lámparas indicadoras 2. Botón de comprobación

Lámparas indicadoras			Capacidad restante
Iluminada	Apagada	Parpadeando	
■	□	◐	75% a 100%
■	■	■	
■	■	□	50% a 75%
■	□	□	25% a 50%
■	□	□	0% a 25%
◐	□	□	Cargue la batería.
■	■	□	Puede que la batería no esté funcionando bien.
□	□	■	

NOTA: Dependiendo de las condiciones de utilización y de la temperatura ambiente, la indicación podrá variar ligeramente de la capacidad real.

NOTA: La primera lámpara indicadora (extremo izquierdo) parpadeará cuando el sistema de protección de la batería esté funcionando.

Indicadores de batería del panel de control

La capacidad de batería restante se puede leer en el panel de control en cualquier momento. Presione el botón de comprobación, y los indicadores izquierdo y derecho mostrarán los niveles de carga de las baterías correspondientemente.

► **Fig.4:** 1. Indicador de batería izquierdo
2. Indicador de batería derecho 3. Botón de comprobación

► **Fig.5**

Estado del indicador de batería			Capacidad de batería restante
Encendido	Apagado	Parpadeando	
■	□	◐	50% a 100%
■	■	■	

Estado del indicador de batería			Capacidad de batería restante
Encendido	Apagado	Parpadeando	
■	□	◐	20% a 50%
■	■	■	0% a 20%
◐	□	□	Cargue la batería
◐	□	□	No hay batería insertada

NOTA: El indicador de batería funciona mientras hay dos baterías insertadas.

NOTA: Los indicadores de batería también se activarán cuando la aspiradora comience a funcionar.

Sistema de protección del aparato/batería

El aparato está equipado con un sistema de protección del aparato/batería. Este sistema corta automáticamente la alimentación del motor para alargar la vida útil del aparato y la batería. El aparato se detendrá automáticamente durante la operación si el aparato o la batería es puesto en una de las condiciones siguientes:

Protección contra sobrecarga

Cuando el aparato/batería sea utilizado de manera que tenga que absorber una corriente anormalmente alta, el aparato se parará automáticamente. En esta situación, apague el aparato y detenga la tarea que ocasiona la sobrecarga del aparato. Después encienda el aparato para volver a empezar.

Protección contra el recalentamiento

Encendido	Parpadeando
■	◐

Cuando el aparato se recalienta, se detiene automáticamente, y ambos indicadores de batería izquierdo y derecho parpadean. En esta situación, deje que el aparato se enfríe y limpie los filtros antes de encenderlo otra vez.

Encendido	Parpadeando
■	◐

Cuando la batería se recalienta, el aparato se detiene automáticamente, y uno de los indicadores, el de la batería recalentada, parpadea. En esta situación, deje que la batería se enfríe antes de encender el aparato otra vez.

Protección contra descarga excesiva

Cuando la capacidad de batería sea baja, el aparato se detendrá automáticamente. Si el aparato no se pone en marcha junto con la operación del interruptor, retire las baterías del aparato y recárguelas.

Protección contra otras causas

También hay un sistema de protección diseñado para otras causas que pueden dañar el aparato y permite al aparato detenerse automáticamente. Realice todos los pasos siguientes para despejar las causas, cuando el aparato haya sido llevado a una pausa temporal o a una parada en la operación.

1. Apague el aparato, y después enciéndalo otra vez para volver a empezar.
2. Cargue la(s) batería(s) o reemplácela(s) con una batería(s) recargada(s).
3. Deje que el aparato y la(s) batería(s) se enfríe(n).

Si no se nota una mejora al restablecer el sistema de protección, póngase en contacto con el centro de servicio Makita local.

Accionamiento del interruptor

Encendido de la aspiradora

1. Gire el interruptor de espera a la posición "I" (encender) o "AUTO" (encender) para tener la aspiradora lista en modo de espera.
2. Presione el botón de alimentación. Para volver a cambiar al modo de espera, presione el botón de alimentación otra vez.

Apagado de la aspiradora

Realice uno de los pasos siguientes.

- Presione el botón de alimentación para volver a poner la aspiradora en modo de espera.
- Gire el interruptor de espera a la posición "O" (apagar).

Ajuste de la fuerza de succión

La potencia de succión se puede ajustar de acuerdo con las necesidades de su trabajo.

- Gire el pomo de ajuste de la fuerza de succión hacia la izquierda para reducir la fuerza de succión.
- Gire el pomo de ajuste de la fuerza de succión hacia la derecha para aumentar la fuerza de succión.

► **Fig.6:** 1. Interruptor de espera 2. Pomo de ajuste de la fuerza de succión 3. Botón de alimentación

AVISO: Ajuste siempre el interruptor de espera hacia el lado "O" cuando no utilice la aspiradora durante largo tiempo. La aspiradora consume energía durante el estado de espera.

Parada de la succión automática durante la operación de succión en mojado

⚠ADVERTENCIA: No recoja espuma ni líquido jabonoso. Puede ocasionar que emerja espuma por la salida de aire. Continuar utilizando en estas condiciones podrá ocasionar una descarga eléctrica y la rotura de la aspiradora.

La aspiradora tiene un mecanismo que impide al agua entrar en el motor cuando se recoge más de una cierta cantidad de agua.

Cuando el depósito esté lleno de líquido, la aspiradora se parará automáticamente. Apague la aspiradora y vacíe el depósito.

Sistema de limpieza del filtro

Este aparato tiene un sistema de limpieza del filtro. Durante la utilización del aparato, el sistema de limpieza del filtro quita el polvo de los filtros automáticamente para evitar que disminuya la fuerza de succión debido a la obstrucción de los filtros.

Si el aparato absorbe gran cantidad de polvo de golpe, la fuerza de succión podrá reducirse. En este caso, se recomienda limpiar el filtro manualmente.

1. Apague el aparato.
2. Ajuste la fuerza de succión al máximo, y después cierre la abertura de la manguera de succión con la palma de su mano.
3. Encienda el aparato y hágalo funcionar durante aproximadamente 15 segundos con la abertura de la manguera de succión cerrada.

► **Fig.7:** 1. Abertura de la manguera de succión

NOTA: El volumen de aire puede cambiar mientras el sistema de limpieza del filtro esté siendo activado pero esto no es un mal funcionamiento.

Drenaje de agua

Cuando el depósito esté lleno de líquido, apague la aspiradora y abra la tapa de drenaje de agua para vaciar el depósito.

► **Fig.8:** 1. Tapa de drenaje de agua

Bloqueo y desbloqueo de las ruedecillas

Las ruedecillas delanteras se pueden bloquear con los retenedores para ayudar a la aspiradora a permanecer inmóvil.

Baje la palanca del retenedor manualmente para bloquear la ruedecilla, y súbala para liberarla.

► **Fig.9:** 1. Ruedecilla 2. Palanca del retenedor 3. Posición LIBRE 4. Posición BLOQUEADA

NOTA: Cuando vaya a mover la aspiradora, asegúrese de que la ruedecilla está desbloqueada. Mover la aspiradora con la ruedecilla en posición bloqueada puede ocasionar daños a la ruedecilla.

Empuñadura de transporte

⚠ PRECAUCIÓN: Levante y transporte el aparato con mucho cuidado. En caso contrario podrá resultar en heridas personales o daños al aparato.

Cuando transporte la aspiradora, transpórtela sujetándola por la empuñadura de la unidad del cabezal. La empuñadura se repliega sobre la unidad del cabezal cuando no se utiliza.

► Fig.10

Si le resulta difícil transportar el aparato usted solo, transpórtelo entre dos personas como se muestra en la figura.

► Fig.11

► Fig.12

MONTAJE

⚠ PRECAUCIÓN: Asegúrese siempre de que el aparato está apagado y los cartuchos de batería han sido retirados antes de realizar cualquier trabajo en el aparato.

⚠ PRECAUCIÓN: Póngase siempre máscara contra el polvo durante el montaje o el mantenimiento.

Instalación y desecho de la bolsa de filtro

Accesorios opcionales

⚠ ADVERTENCIA: Antes de utilizar una bolsa de filtro, asegúrese de que la unidad del filtro se utiliza conjuntamente. Si no utiliza la unidad del filtro conjuntamente podrá ocasionar ruido inusual y calentamiento, resultando en un incendio.

AVISO: No recoja nunca agua u otros líquidos ni polvo mojado cuando esté utilizando una bolsa de filtro. Recoger tales cosas puede ocasionar la rotura de la bolsa de filtro.

1. Libere los ganchos de bloqueo y levante la unidad del cabezal para retirarla del depósito.

► Fig.13: 1. Gancho de bloqueo

2. Despliegue una bolsa de filtro.

3. Alinee la abertura de la bolsa de filtro con el orificio de entrada de polvo del depósito.

4. Inserte el cartón de la bolsa de filtro en la herramienta de forma que quede posicionado al final más allá de la protuberancia de retención.

► Fig.14: 1. Bolsa de filtro 2. Abertura de cartón

3. Soporte de la bolsa de filtro 4. Orificio de entrada de polvo 5. Borde

Cuando vaya a desechar la bolsa de filtro, tire del borde de la boca de la bolsa de filtro de forma que la boca se cierre con un papel.

Instalación de la bolsa de polietileno

Coloque una bolsa de polietileno sobre el depósito, y deslice un lado del borde superior de la bolsa en su extremo abierto entre la placa del soporte y la pared delantera del depósito.

Después, extienda los otros bordes superiores de la bolsa hacia afuera sobre los rebordes superiores del depósito.

La bolsa de polietileno se puede utilizar con la bolsa de filtro.

► Fig.15: 1. Placa del soporte 2. Pared delantera del depósito 3. Bolsa de polietileno

NOTA: Se puede utilizar una bolsa de polietileno disponible en el comercio. Se recomienda utilizar una de un grosor de más de 0,04 mm y de un perímetro de más de 2.000 mm.

NOTA: Un exceso de polvo rasgará fácilmente la bolsa de polietileno, por lo que no llene demasiado la bolsa. Desechar una bolsa pesada podrá suponer un agobio para el cuerpo de una persona.

Vaciado del depósito con la bolsa de polietileno

⚠ ADVERTENCIA: Asegúrese siempre de que la aspiradora está apagada y los cartuchos de batería han sido retirados antes de vaciar el depósito. En caso contrario podrá ocasionar una descarga eléctrica y heridas personales graves.

AVISO: Vacíe el depósito al menos una vez al día aunque esto dependerá del volumen de polvo recogido en el depósito. O, la fuerza de succión se debilitará y el motor podrá romperse.

AVISO: No agarre los ganchos de bloqueo cuando vacíe el depósito. Si agarra los ganchos de bloqueo podrá ocasionar que se rompan.

1. Libere los ganchos de bloqueo y levante la unidad del cabezal para retirarla del depósito.

2. Retire la bolsa de polietileno del depósito, cerrando la abertura de la bolsa manualmente.

► Fig.16: 1. Bolsa de polietileno 2. Depósito

NOTA: Extraiga la bolsa de polietileno del depósito con cuidado para evitar que se arañe y se rasgue con los bordes dentro del depósito.

NOTA: Vacíe la bolsa de polietileno antes de que se llene. Demasiado polvo en el depósito puede ocasionar que la bolsa de polietileno se rasgue.

Instalación de la manguera

AVISO: No fuerce nunca la manguera para doblarla ni la aplaste con el pie. No mueva nunca la aspiradora tirando de la manguera. Forzar la manguera, aplastarla con el pie y tirar de ella podrá ocasionar una rotura o deformación de la manguera.

AVISO: Cuando recoja residuos grandes tales como virutas de cepilladora, polvo de cemento o similares distintos de residuos pequeños, utilice la manguera de diámetro interior de 38 mm (accesorio opcional). La utilización de la manguera de diámetro interior de 28 mm (accesorio opcional) puede ocasionar un relleno de la manguera y daños.

Conexión a la aspiradora

Inserte el extremo de la manguera en el orificio de entrada de polvo (boca para manguera) de la aspiradora, después gírela hacia la derecha hasta que se bloquee en su sitio.

► **Fig.17:** 1. Manguera 2. Orificio de entrada de polvo (boca para manguera)

Conexiones con sus herramientas de trabajo (Específico para cada país)

Mediante la conexión de la aspiradora a cualquier herramienta de trabajo disponible compatible con la aspiradora, esta funciona como un extractor de polvo para sus herramientas eléctricas.

Seleccione uno de los manguitos delanteros o acopladores (accesorios opcionales) que resulte más apropiado para el modelo de su herramienta. Coloque los manguitos o el acoplador, según sea necesario, entre el extremo delantero de la manguera de la aspiradora y el conector para extracción de polvo de su herramienta.

► **Fig.18:** 1. Manguitos delanteros o acoplador 2. Manguera de la aspiradora 3. Herramienta eléctrica 4. Aspiradora

Instalación o desmontaje de accesorios de aspiradora

PRECAUCIÓN: Después de instalar un accesorio, compruebe que está instalado firmemente. Si el accesorio está instalado incorrectamente, se puede caer y ocasionar heridas personales.

Cuando utilice el accesorio sin función de bloqueo

Accesorios opcionales

Inserte un accesorio en la boca de succión de la aspiradora empujándolo y enrosicándolo en su sitio manualmente.

Retuerza y extraiga el accesorio de la boca de succión manualmente después de la utilización.

► **Fig.19**

Instalación de MAKPAC

Accesorios opcionales

PRECAUCIÓN: No se suba ni se sienta encima del aparato. Este se podrá caer debido a la inestabilidad.

PRECAUCIÓN: Tenga cuidado con la operación cuando instale MAKPAC. En caso contrario podrá resultar en heridas personales o daños al aparato.

PRECAUCIÓN: Cuando la MAKPAC esté instalada en el aparato, no levante el aparato con la empuñadura de la MAKPAC.

PRECAUCIÓN: Cuando mueva el aparato con la MAKPAC instalada, no empuje la MAKPAC sino el cuerpo del aparato. Si empuja la MAKPAC se podrán romper los cierres y caerse la MAKPAC, lo que podrá resultar en heridas personales.

En la parte superior de la aspiradora se pueden instalar cajas de almacenamiento MAKPAC conectables y apilables. Las cajas están disponibles en muchos tamaños y estilos para satisfacer sus preferencias.

1. Despliegue los cierres de la superficie superior de la aspiradora.

► **Fig.20:** 1. Cierre

2. Monte las cajas MAKPAC en la parte superior de la aspiradora y fíjelas con los cierres.

► **Fig.21:** 1. Cierre 2. MAKPAC

La altura y peso máximos de las MAKPAC instaladas son de 315 mm y 20 kg respectivamente.

► **Fig.22**

FUNCIÓN DE ACTIVACIÓN INALÁMBRICA

Accesorios opcionales

Lo que puede hacer con la función de activación inalámbrica

La función de activación inalámbrica permite realizar una operación limpia y cómoda. Conectando a la aspiradora una herramienta compatible, puede poner en marcha automáticamente la aspiradora junto con la operación del interruptor de la herramienta.

► **Fig.23**

AVISO: Asegúrese de consultar el manual de instrucciones de la herramienta cuando utilice la aspiradora con función de activación inalámbrica.

AVISO: No desmonte o manipule la unidad inalámbrica.

AVISO: Para evitar que el polvo entre en la ranura de la unidad inalámbrica, cierre siempre la tapa firmemente durante la operación y el almacenamiento.

AVISO: No presione el botón de activación inalámbrica con fuerza y/o presione el botón con un objeto de borde cortante.

NOTA: La activación inalámbrica necesita de herramientas Makita equipadas con la unidad inalámbrica.

NOTA: Antes de la utilización inicial de la función de activación inalámbrica con cada herramienta, se requiere hacer el registro de herramienta. Una vez terminado el registro con la herramienta, no será necesario volver a hacer el registro a menos que este sea cancelado.

NOTA: Antes de hacer el registro, asegúrese de que la unidad inalámbrica está insertada debidamente.

NOTA: Una unidad inalámbrica puede registrar hasta 10 enlaces con otras unidades inalámbricas. Si hay más de otras 10 unidades inalámbricas registradas a una unidad inalámbrica, la más antigua registrada se cancelará automáticamente.

NOTA: La posición del botón de activación inalámbrica varía dependiendo de la herramienta.

NOTA: La aspiradora también se pone en marcha presionando el botón de alimentación cuando el interruptor de espera está ajustado a "AUTO". Sin embargo, el botón de alimentación no se accionará cuando se utiliza la función de activación inalámbrica.

Instalación de la unidad inalámbrica

⚠ADVERTENCIA: Abra la tapa cuando instale la unidad inalámbrica la primera vez solamente. No abra nunca la tapa después de instalarla.

⚠PRECAUCIÓN: Ponga la aspiradora sobre una superficie plana y estable cuando instale la unidad inalámbrica.

AVISO: Limpie el polvo y la suciedad de la aspiradora antes de instalar la unidad inalámbrica. El polvo o la suciedad puede ocasionar un mal funcionamiento si entra en la ranura de la unidad inalámbrica.

AVISO: Para evitar el mal funcionamiento causado por la electricidad estática, toque un material en el que se descargue la electricidad estática, tal como una pieza metálica, antes de coger la unidad inalámbrica.

AVISO: Cuando instale la unidad inalámbrica, asegúrese siempre de que la unidad inalámbrica está insertada en la dirección correcta y que la tapa está completamente cerrada.

como se muestra en la figura.

► **Fig.24:** 1. Tapa 2. Tornillo

2. Inserte la unidad inalámbrica en la ranura.

Cuando inserte la unidad inalámbrica, alinee los salientes con las porciones embutidas de la ranura.

► **Fig.25:** 1. Unidad inalámbrica 2. Saliente 3. Tapa 4. Porción embutida

3. Apriete el tornillo completamente para cerrar la tapa.

Registro de herramienta para la aspiradora

NOTA: Para el registro de herramienta se requiere una herramienta Makita compatible con la función de activación inalámbrica.

NOTA: Termine de instalar la unidad inalámbrica en la herramienta antes de comenzar el registro de herramienta.

NOTA: Durante el registro de herramienta, no apriete el gatillo interruptor de la herramienta o active el interruptor de alimentación de la aspiradora.

NOTA: Consulte el manual de instrucciones de la herramienta, también.

Si desea activar la aspiradora junto con la operación del interruptor de la herramienta, termine el registro de herramienta de antemano.

1. Instale las unidades inalámbricas en la aspiradora y la herramienta, respectivamente.

2. Instale las baterías en la aspiradora y la herramienta.

3. Ajuste el interruptor de espera de la aspiradora a "AUTO".

► **Fig.26:** 1. Interruptor de espera

4. Presione el botón de activación inalámbrica en la aspiradora durante 3 segundos hasta que la lámpara de activación inalámbrica parpadee en verde. Y después presione el botón de activación inalámbrica en la herramienta de la misma manera.

► **Fig.27:** 1. Botón de activación inalámbrica 2. Lámpara de activación inalámbrica

Si la aspiradora y la herramienta están vinculadas correctamente, las lámparas de activación inalámbrica se iluminarán en verde durante 2 segundos y comenzarán a parpadear en azul.

NOTA: Las lámparas de activación inalámbrica dejarán de parpadear en verde después de transcurrir 20 segundos. Presione el botón de activación inalámbrica en la herramienta mientras la lámpara de activación inalámbrica en la aspiradora está parpadeando. Si la lámpara de activación inalámbrica no parpadea en verde, presione el botón de activación inalámbrica brevemente y manténgalo presionado otra vez.

NOTA: Cuando realice dos o más registros de herramienta para la aspiradora, termine el registro de herramienta de uno en uno.

1. Afloje el tornillo para abrir la tapa de la aspiradora

Inicio de la función de activación inalámbrica

NOTA: Termine el registro de herramienta para la aspiradora para activación inalámbrica.

NOTA: Coloque siempre la aspiradora de forma que usted pueda ver el estado de la lámpara de activación inalámbrica.

NOTA: Consulte el manual de instrucciones de la herramienta, también.

Después de registrar una herramienta en la aspiradora, la aspiradora se pondrá en marcha automáticamente junto con la operación del interruptor de la herramienta.

1. Instale las unidades inalámbricas en la aspiradora y la herramienta, respectivamente.
2. Instale las baterías en la aspiradora y la herramienta.
3. Conecte la manguera de la aspiradora a la herramienta.
► **Fig.28**

4. Ajuste el interruptor de espera de la aspiradora a "AUTO".

► **Fig.29:** 1. Interruptor de espera

5. Presione el botón de activación inalámbrica en la herramienta brevemente. La lámpara de activación inalámbrica parpadeará en azul.

► **Fig.30:** 1. Botón de activación inalámbrica
2. Lámpara de activación inalámbrica

6. Encienda la herramienta. Compruebe si el aspirador está en marcha mientras la herramienta está funcionando.

⚠PRECAUCIÓN: Compruebe siempre si la función de activación inalámbrica funciona antes de comenzar un trabajo con la herramienta.

Para detener la activación inalámbrica, presione el botón de activación inalámbrica en la herramienta, o ajuste el interruptor de espera en la aspiradora a "I" o "O".

NOTA: La lámpara de activación inalámbrica en la herramienta dejará de parpadear en azul cuando no se realice ninguna operación durante 2 horas. En este caso, ajuste el interruptor de espera de la aspiradora a "AUTO" y presione el botón de activación inalámbrica en la herramienta otra vez.

NOTA: La aspiradora se pone en marcha/se detiene con una demora. Hay un lapso de tiempo cuando la aspiradora detecta una operación del interruptor de la herramienta.

NOTA: La distancia de transmisión de la unidad inalámbrica puede variar dependiendo de la ubicación y las circunstancias circundantes.

NOTA: Cuando haya registradas dos o más herramientas en un aspirador, el aspirador podrá ponerse en marcha aunque usted no encienda la herramienta porque otro usuario está utilizando la función de activación inalámbrica.

Cancelación del registro de herramienta para la aspiradora

Realice el procedimiento siguiente cuando vaya a cancelar el registro de herramienta para la aspiradora.

1. Instale las unidades inalámbricas en la aspiradora y la herramienta, respectivamente.
2. Instale las baterías en la aspiradora y la herramienta.
3. Ajuste el interruptor de espera de la aspiradora a "AUTO".
► **Fig.31:** 1. Interruptor de espera
4. Presione el botón de activación inalámbrica en la aspiradora durante 6 segundos. La lámpara de activación inalámbrica parpadea en verde y después se vuelve roja. Después de esto, presione el botón de activación inalámbrica en la herramienta de la misma manera.
► **Fig.32:** 1. Botón de activación inalámbrica
2. Lámpara de activación inalámbrica

Si la cancelación se realiza correctamente, las lámparas de activación inalámbrica se iluminarán en rojo durante 2 segundos y comenzarán a parpadear en azul.

NOTA: Las lámparas de activación inalámbrica dejarán de parpadear en rojo después de transcurrir 20 segundos. Presione el botón de activación inalámbrica en la herramienta mientras la lámpara de activación inalámbrica en la aspiradora está parpadeando. Si la lámpara de activación inalámbrica no parpadea en rojo, presione el botón de activación inalámbrica brevemente y manténgalo presionado otra vez.

Borrado de todos los registros de herramienta

Puede borrar todos los registros de herramienta de la aspiradora de la forma siguiente.

► **Fig.33:** 1. Interruptor de espera 2. Botón de activación inalámbrica 3. Lámpara de activación inalámbrica











1. Instale la unidad inalámbrica en la aspiradora.
2. Instale las baterías en la aspiradora.
3. Ajuste el interruptor de espera a "AUTO".
4. Mantenga presionado el botón de activación inalámbrica durante unos 6 segundos hasta que la lámpara de activación inalámbrica parpadee en rojo (unas dos veces por segundo).
5. Cuando la lámpara de activación inalámbrica comience a parpadear en rojo, libere el dedo del botón de activación inalámbrica. Después, mantenga presionado el botón de activación inalámbrica otra vez durante unos 6 segundos.
6. Cuando la lámpara de activación inalámbrica comience a parpadear rápidamente (unas 5 veces por segundo) en rojo, libere el dedo del botón de activación inalámbrica. Cuando la lámpara de activación inalámbrica se ilumine en rojo y después se apague, todos los registros de herramienta estarán borrados.

NOTA: Si la lámpara de activación inalámbrica no parpadea en rojo, presione el botón de activación inalámbrica brevemente e inténtelo otra vez.

Descripción del estado de la lámpara de activación inalámbrica

- **Fig.34:** 1. Botón de activación inalámbrica
2. Lámpara de activación inalámbrica

La lámpara de activación inalámbrica muestra el estado de la función de activación inalámbrica. Consulte la tabla de abajo para ver el significado del estado de la lámpara.

Estado	Lámpara de activación inalámbrica			Descripción
	Color	 Encendida	 Parpadeando	
En espera	Azul		Aspiradora: continuando Herramienta: 2 horas	Esperando por el registro de herramienta o la función de activación inalámbrica está disponible. La lámpara en la aspiradora parpadea cuando el interruptor de espera está ajustado a AUTO. La lámpara en la herramienta parpadea cuando se presiona el botón de activación inalámbrica. La lámpara en la herramienta se apagará automáticamente cuando no se realice ninguna operación durante 2 horas.
			Cuando la herramienta está en marcha.	La activación inalámbrica de la aspiradora está disponible y la herramienta está en marcha.
Registro de herramienta	Verde		20 segundos	Preparada para el registro de herramienta. Buscando la herramienta que se va a registrar.
			2 segundos	El registro de herramienta ha terminado. La lámpara de activación inalámbrica comenzará a parpadear en azul.
Cancelando/borrando el registro de herramienta	Rojo	 (lento: 2 veces/segundo)	20 segundos	Preparada para la cancelación del registro de herramienta. Buscando la herramienta que se va a cancelar.
		 (rápido: 5 veces/segundo)	Cuando se presiona el botón de activación inalámbrica.	Preparada para borrar todos los registros de herramienta.
			2 segundos	El registro de herramienta ha sido cancelado/borrado. La lámpara de activación inalámbrica comenzará a parpadear en azul.
Otros	Rojo		3 segundos	La alimentación se suministra a la unidad inalámbrica y la función de activación inalámbrica se está poniendo en marcha.
		Apagada	-	-

Solución de problemas para la función de activación inalámbrica

Antes de solicitar reparaciones, realice su propia inspección en primer lugar. Si encuentra un problema que no está explicado en el manual, no intente desmontar la herramienta. En su lugar, pregunte en los centros de servicio autorizados Makita, utilizando siempre piezas de recambio Makita para las reparaciones.

Estado de anomalía	Causa probable (mal funcionamiento)	Remedio
La lámpara de activación inalámbrica no se ilumina/parpadea.	La unidad inalámbrica no está instalada en la aspiradora y/o la herramienta. La unidad inalámbrica está instalada incorrectamente en la aspiradora y/o la herramienta.	Instale la unidad inalámbrica correctamente.
	El botón de activación inalámbrica en la herramienta no ha sido presionado.	Presione el botón de activación inalámbrica en la herramienta brevemente.
	El interruptor de espera de la aspiradora no está ajustado a "AUTO".	Ajuste el interruptor de espera de la aspiradora a "AUTO".
	No se está suministrando alimentación.	Suministre alimentación a la herramienta y a la aspiradora.

Estado de anomalía	Causa probable (mal funcionamiento)	Remedio
No se puede terminar el registro de herramienta / cancelación del registro de herramienta correctamente.	La unidad inalámbrica no está instalada en la aspiradora y/o la herramienta. La unidad inalámbrica está instalada incorrectamente en la aspiradora y/o la herramienta.	Instale la unidad inalámbrica correctamente.
	El interruptor de espera de la aspiradora no está ajustado a "AUTO".	Ajuste el interruptor de espera de la aspiradora a "AUTO".
	No se está suministrando alimentación.	Suministre alimentación a la herramienta y a la aspiradora.
	Operación incorrecta	Presione el botón de activación inalámbrica brevemente y realice los procedimientos de registro/cancelación de herramienta otra vez.
	La herramienta y la aspiradora están alejadas una de la otra (fuera del rango de transmisión).	Ponga la herramienta y la aspiradora más cerca una de la otra. La distancia de transmisión es de aproximadamente 10 m, sin embargo, podrá variar de acuerdo con las circunstancias.
	Antes de terminar el registro/cancelación de herramienta; - se aprieta el interruptor de la herramienta o; - se activa el botón de alimentación del aspirador.	Presione el botón de activación inalámbrica brevemente y realice los procedimientos de registro/cancelación de herramienta otra vez.
	Los procedimientos de registro de herramienta para la herramienta o la aspiradora no han terminado.	Realice los procedimientos de registro de herramienta para la herramienta y la aspiradora en el mismo momento.
	Interferencia de radio de otros aparatos que generan ondas de radio de alta intensidad.	Mantenga la herramienta y la aspiradora alejadas de aparatos tales como dispositivos Wi-Fi y hornos de microondas.
La aspiradora no se pone en marcha junto con la operación del interruptor de la herramienta.	La unidad inalámbrica no está instalada en la aspiradora y/o la herramienta. La unidad inalámbrica está instalada incorrectamente en la aspiradora y/o la herramienta.	Instale la unidad inalámbrica correctamente.
	El botón de activación inalámbrica en la herramienta no ha sido presionado.	Presione el botón de activación inalámbrica brevemente y asegúrese de que la lámpara de activación inalámbrica está parpadeando en azul.
	El interruptor de espera de la aspiradora no está ajustado a "AUTO".	Ajuste el interruptor de espera de la aspiradora a "AUTO".
	Se han registrado más de 10 herramientas en la aspiradora.	Realice el registro de herramienta otra vez. Si se registran más de 10 herramientas en la aspiradora, la herramienta que más tiempo lleve registrada se cancelará automáticamente.
	La aspiradora borró todos los registros de herramienta.	Realice el registro de herramienta otra vez.
	No se está suministrando alimentación.	Suministre alimentación a la herramienta y a la aspiradora.
	La herramienta y la aspiradora están alejadas una de la otra (fuera del rango de transmisión).	Ponga la herramienta y la aspiradora más cerca una de la otra. La distancia de transmisión es de aproximadamente 10 m, sin embargo, podrá variar de acuerdo con las circunstancias.
	Interferencia de radio de otros aparatos que generan ondas de radio de alta intensidad.	Mantenga la herramienta y la aspiradora alejadas de aparatos tales como dispositivos Wi-Fi y hornos de microondas.
El aspirador se pone en marcha mientras la herramienta no está funcionando.	Otros usuarios están utilizando la activación inalámbrica de la aspiradora con sus herramientas.	Desactive el botón de activación inalámbrica de las otras herramientas o cancele el registro de herramienta de las otras herramientas.

Estado de anomalía	Causa probable (mal funcionamiento)	Remedio
No se pueden borrar todos los registros de herramienta en la aspiradora.	Presionando el botón de activación inalámbrica en la herramienta.	Presione el botón de activación inalámbrica en la aspiradora para borrar todos los registros de herramienta.
	El interruptor de espera de la aspiradora no está ajustado a "AUTO".	Ajuste el interruptor de espera de la aspiradora a "AUTO".
	El botón de activación inalámbrica no se está manteniendo apretado correctamente.	Mantenga presionado el botón de activación inalámbrica durante más de 6 segundos y después libérela cuando la lámpara de activación inalámbrica parpadee en rojo. Mantenga presionado el botón de activación inalámbrica durante más de 6 segundos otra vez hasta que el botón de activación inalámbrica parpadee rápidamente en rojo y después libere el botón.

MANTENIMIENTO

⚠ PRECAUCIÓN: Asegúrese siempre de que el aparato está apagado y los cartuchos de batería han sido retirados antes de intentar hacer una inspección o mantenimiento.

AVISO: No utilice nunca gasolina, bencina, disolvente, alcohol o similares. Podría producir descoloración, deformación o grietas.

Para mantener la SEGURIDAD y FIABILIDAD del producto, las reparaciones, y cualquier otra tarea de mantenimiento o ajuste deberán ser realizadas en centros de servicio o de fábrica autorizados por Makita, empleando siempre repuestos Makita.

Desmontaje de la unidad del filtro

⚠ PRECAUCIÓN: Espere unos 5 minutos para que el polvo en el depósito se asiente completamente.

⚠ PRECAUCIÓN: Tenga cuidado de no dejar que entre polvo dentro de la tapa del depósito cuando retire la unidad del filtro.

La unidad del filtro está colocada en la unidad del cabezal. Esta consiste en la placa superior, los prefiltros, los amortiguadores y los filtros de polvo.

1. Libere los ganchos de bloqueo y levante la unidad del cabezal para retirarla del depósito.
2. Retire al unidad del filtro de la unidad del cabezal como se muestra en la figura.

► Fig.35: 1. Cierre 2. Unidad del filtro

Desmontaje del filtro de polvo y el prefiltro

Alce el pomo y retire los filtros de la placa superior.

► Fig.36: 1. Placa superior 2. Filtros 3. Pomo

Para evitar que el polvo flote en el aire, es preferible retirar los filtros dentro de la bolsa de polietileno. Cuando transporte la unidad del filtro para limpiarla, ate la bolsa de polietileno firmemente.

► Fig.37: 1. Unidad del filtro 2. Bolsa de polietileno

► Fig.38: 1. Placa superior 2. Filtros 3. Bolsa de

polietileno

Limpieza del filtro de polvo, el prefiltro y el amortiguador

Limpie los filtros y el amortiguador de vez en cuando. Los filtros y amortiguador obstruidos pueden resultar en un mal rendimiento de succión.

Retire regularmente el polvo acumulado en los filtros y el amortiguador.

Lave ocasionalmente el filtro de polvo, el prefiltro y el amortiguador en agua, aclárelos y séquelos completamente en la sombra antes de utilizarlos. No los lave nunca en una lavadora.

► Fig.39

NOTA: No frote o rasque el filtro de polvo, el prefiltro o el amortiguador con objetos duros tales como un cepillo y una paleta.

NOTA: Los filtros se gastan con el paso del tiempo. Se recomienda tener algunos repuestos para ellos.

Instalación del filtro de polvo y el prefiltro

AVISO: El filtro de polvo y el prefiltro pueden recoger tanto polvo seco como polvo mojado. Asegúrese de que los sensores de nivel de agua se activan debidamente para evitar la rotura del filtro de polvo.

Enganche los bordes de la unidad del filtro en la placa superior, y después baje el pomo.

► Fig.40: 1. Borde 2. Pomo

AVISO: Antes de utilizar el filtro de polvo, asegúrese de que el prefiltro y el amortiguador se utilizan siempre juntos. No está permitido instalar solamente el filtro de polvo.

Ensamblaje de los filtros

Cuando obtenga los filtros individualmente, ensámblelos como se muestra en la figura.

► Fig.41: 1. Filtro de polvo 2. Amortiguador 3. Prefiltro

Instalación de la unidad del filtro

Después de instalar los filtros en la placa superior, enganche los agujeros de la unidad del filtro en las partes en forma de U de la cubierta interior. Después, bloquee el cierre como se muestra en la figura.

► **Fig.42:** 1. Parte en forma de U 2. Agujero 3. Cierre

Instalación del filtro de agua

Accesorios opcionales

AVISO: Para recoger polvo mojado, asegúrese de que los sensores de nivel de agua se activan debidamente.

AVISO: No utilice prefiltro ni amortiguador cuando utilice filtro de agua.

Para recoger agua o polvo mojado solamente, el filtro de agua es más adecuado que el filtro de polvo y el prefiltro.

Cuando instale el filtro de agua, encájelo en la placa superior lo mismo que el filtro de polvo y el prefiltro.

► **Fig.43**

NOTA: Se recomienda utilizar filtro de agua cuando se recoja gran cantidad de agua repetidamente. De lo contrario la habilidad de aspiración podrá reducirse en caso del filtro de polvo y prefiltro.

Limpeza de los sensores de nivel de agua

Los sensores de nivel de agua detectan líquido cuando el depósito se llena de líquido. Limpie los sensores de nivel de agua con un paño suave de vez en cuando cuando cambie los filtros.

► **Fig.44:** 1. Sensor de nivel de agua

Almacenamiento de los accesorios

Los accesorios y aditamentos que no se estén usando, como boquillas y tubos, se pueden guardar en el gancho de la parte trasera de la aspiradora.

► **Fig.45:** 1. Accesorio y aditamento que no se están usando

Los tubos (con un retenedor opcional instalado) se pueden colocar en el portatubos cuando se deja de usar la aspiradora por poco tiempo.

► **Fig.46:** 1. Retenedor (accesorio opcional)
2. Portatubos

Una manguera se puede enrollar y guardar alrededor de la carcasa o de la empuñadura de la aspiradora en bucles amplios. Conecte sus dos extremos entre sí para hacer bucles y enganche los bucles en la empuñadura levantada. Alternativamente, mantenga su extremo raíz instalado en la boca para manguera y cuelgue los bucles en el gancho múltiple con el extremo suelto atado.

► **Fig.47**

► **Fig.48**

ACCESORIOS OPCIONALES

⚠PRECAUCIÓN: Estos accesorios o aditamentos están recomendados para su uso con la herramienta Makita especificada en este manual. El uso de cualquier otro accesorio o aditamento puede suponer un riesgo de heridas personales. Utilice el accesorio o aditamento solamente con la finalidad indicada para el mismo.

Si necesita cualquier ayuda para más detalles en relación con estos accesorios, pregunte al centro de servicio Makita local.

- Manguera
- Manguitos delanteros (22, 24, 38)
- Tubo recto
- Boquilla para esquinas
- Cepillo redondo
- Filtro de polvo M, H (HEPA)
- Amortiguador
- Prefiltro
- Filtro de agua
- Conjunto de boquilla
- Tubo curvado
- Bolsa de polietileno
- Bolsa de filtro
- Batería y cargador genuinos de Makita
- Unidad inalámbrica
- MAKPAC

NOTA: Algunos elementos de la lista podrán estar incluidos en el paquete de la herramienta como accesorios estándar. Pueden variar de un país a otro.

AVISO

- Esta máquina não deve ser utilizada por pessoas com capacidades físicas, sensoriais ou mentais reduzidas nem por crianças ou pessoas com falta de experiência ou conhecimentos.
- As crianças devem ser supervisionadas, de modo a assegurar que não brincam com o aspirador.
- Consulte o capítulo "ESPECIFICAÇÕES" para ficar a saber a referência de tipo da bateria.
- Consulte a secção "Instalar ou remover a bateria" para saber como remover ou instalar a bateria.
- Quando eliminar a bateria, remova-a da ferramenta e elimine-a num local seguro. Siga os regulamentos locais relacionados com a eliminação de baterias.
- Se a ferramenta não for utilizada durante um período de tempo prolongado, a bateria deve ser removida da ferramenta.
- Não coloque a bateria em curto-circuito.
- Consulte o capítulo "MANUTENÇÃO" para obter as informações adequadas sobre as precauções a ter durante a manutenção pelo utilizador.

ESPECIFICAÇÕES

Modelo:		VC007GL
Volume máximo de ar na extremidade da mangueira	Com BL4050F, mangueira de ø28 mm x 3,5 m	2,0 m ³ /min
	Com BL4050F, mangueira de ø38 mm x 2,5 m	3,7 m ³ /min
Volume máximo de ar na turbina (com BL4050F)		4,9 m ³ /min
Aspiração (com BL4050F)		18 kPa
Capacidade de recuperação	Pó	40 L
	Água	30 L
Dimensões (C x L x A)		586 mm x 385 mm x 598 mm
Tensão nominal		C.C. 72 V - 80 V máx.
Peso líquido		18,3 - 20,7 kg
Grau de proteção		IPX4

- Devido a um programa contínuo de pesquisa e desenvolvimento, estas especificações estão sujeitas a alteração sem aviso prévio.
- As especificações podem diferir de país para país.
- O peso não inclui os acessórios mas a(s) bateria(s). Os pesos combinados mais leve e mais pesado do aparelho e da(s) bateria(s) são indicados na tabela.

Bateria e carregador aplicável

Bateria	BL4020 / BL4025 / BL4040* / BL4050F* / BL4080F* *: Bateria recomendada
Carregador	DC40RA / DC40RB / DC40RC / DC40WA / BCC01 / BCC02

- Algumas das baterias e carregadores listados acima poderão não estar disponíveis, dependendo da sua região de residência.

AVISO: Utilize apenas as baterias e carregadores listados acima. A utilização de quaisquer outras baterias e carregadores pode causar ferimentos e/ou um incêndio.

Símbolos

A seguir são apresentados os símbolos que podem ser utilizados para o equipamento. Certifique-se de que compreende o seu significado antes da utilização.



Leia o manual de instruções.



Tenha especial cuidado e atenção.



Aviso! O aspirador poderá conter pó perigoso.



Nunca se coloque sobre o aspirador.



Nunca coloque nada com um peso superior a 20 kg (44 lbs) sobre o aspirador.



Pó de classe L (leve). Os aspiradores são capazes de recolher pó de classe L. Siga os regulamentos do seu país relativos a pós e a higiene e segurança no trabalho.



Apenas para países da UE
Devido à presença de componentes perigosos no equipamento, os resíduos de equipamentos elétricos e eletrónicos, acumuladores e baterias podem ter um impacto negativo no meio ambiente e na saúde humana.
Não elimine aparelhos elétricos e eletrónicos ou baterias juntamente com resíduos domésticos!
De acordo com a Diretiva europeia relativa aos resíduos de equipamentos elétricos e eletrónicos, acumuladores e baterias, bem como a respetiva adaptação à legislação nacional, os resíduos de equipamentos elétricos e eletrónicos, acumuladores e baterias devem ser armazenados separadamente e entregues num ponto de recolha separado para resíduos municipais, que opere de acordo com os regulamentos de proteção ambiental.
Tal é indicado pelo símbolo de conteúdo de lixo com rodas barrado com uma cruz colocado no equipamento.

Utilização a que se destina

O aparelho serve para recolher pó húmido e seco. O aparelho é adequado para utilização comercial, por exemplo, em hotéis, escolas, hospitais, fábricas, lojas, escritórios e empresas de aluguer.

Ruído

A característica do nível de ruído A determinado de acordo com a EN60335-2-69:

Nível de pressão acústica (L_{pA}): 70 dB (A) ou menos
Variabilidade (K): 2,5 dB (A)

O nível de ruído durante o funcionamento pode exceder 80 dB (A).

NOTA: O(s) valor(es) da emissão de ruído indicado(s) foi medido de acordo com um método de teste padrão e pode ser utilizado para comparar duas ferramentas.

NOTA: O(s) valor(es) da emissão de ruído indicado(s) pode também ser utilizado na avaliação preliminar da exposição.

AVISO: Utilize protetores auriculares.

AVISO: A emissão de ruído durante a utilização real da ferramenta elétrica pode diferir do(s) valor(es) indicado(s), dependendo das formas como a ferramenta é utilizada, especialmente o tipo de peça de trabalho que é processada.

AVISO: Certifique-se de identificar as medidas de segurança para proteção do operador que sejam baseadas em uma estimativa de exposição em condições reais de utilização (considerando todas as partes do ciclo de operação, tal como quando a ferramenta está desligada e quando está a funcionar em marcha lenta além do tempo de acionamento).

Vibração

Valor total da vibração (soma vetorial tri-axial) determinado de acordo com a EN60335-2-69:

Emissão de vibração ($a_{h,M}$): 2,5 m/s² ou menos
Variabilidade (K): 1,5 m/s²

NOTA: O(s) valor(es) total(ais) de vibração indicado(s) foi medido de acordo com um método de teste padrão e pode ser utilizado para comparar duas ferramentas.

NOTA: O(s) valor(es) total(ais) de vibração indicado(s) pode também ser utilizado na avaliação preliminar da exposição.

AVISO: A emissão de vibração durante a utilização real da ferramenta elétrica pode diferir do(s) valor(es) indicado(s), dependendo das formas como a ferramenta é utilizada, especialmente o tipo de peça de trabalho que é processada.

AVISO: Certifique-se de identificar as medidas de segurança para proteção do operador que sejam baseadas em uma estimativa de exposição em condições reais de utilização (considerando todas as partes do ciclo de operação, tal como quando a ferramenta está desligada e quando está a funcionar em marcha lenta além do tempo de acionamento).

Declarações de conformidade

Apenas para os países europeus

As Declarações de conformidade estão incluídas no Anexo A deste manual de instruções.

AVISOS DE SEGURANÇA

Avisos de segurança do aspirador a bateria

AVISO: IMPORTANTE! LEIA COM ATENÇÃO todos os avisos de segurança e todas as instruções ANTES DA UTILIZAÇÃO. Caso não siga os avisos e instruções, pode apanhar um choque elétrico, provocar um incêndio e/ou ferimentos graves.

1. Antes de utilizar, certifique-se de que este aspirador é utilizado por pessoas que tenham recebido instruções adequadas sobre a utilização deste aspirador.
2. Antes da utilização, devem ser fornecidas informações, instruções e formação aos operadores relativamente ao uso da máquina e às substâncias para as quais deve ser utilizada, incluindo o método seguro de remoção e eliminação do material recolhido.
3. Se sair espuma/líquido, desligue imediatamente.
4. Limpe o dispositivo de limitação do nível de água regularmente e inspecione-o quanto a sinais de danos.
5. Certifique-se sempre de que os filtros estão corretamente instalados antes da utilização. Não utilize o aspirador sem os filtros devidamente instalados. Substitua imediatamente um filtro danificado. Recomenda-se que tenha algumas peças sobressalentes uma vez que os filtros são itens consumíveis.
6. **EVITAR O ARRANQUE INVOLUNTÁRIO.** Assegure que o interruptor está desligado (OFF) quando instalar a(s) bateria(s).
7. Não tente aspirar materiais inflamáveis, fogo de artifício, cigarros acesos, cinzas quentes, aparas metálicas quentes e materiais aguçados como lâminas, agulhas, vidro partido ou outros do género.
8. **NUNCA UTILIZE O ASPIRADOR JUNTO DE GASOLINA, GÁS, TINTA, COLAS OU OUTRAS SUBSTÂNCIAS ALTAMENTE EXPLOSIVAS.** O interruptor emite faíscas quando se liga e desliga. O mesmo acontece com o comutador do motor durante o funcionamento. Pode resultar em explosão perigosa.
9. Nunca aspire produtos tóxicos, carcinogénicos, combustíveis ou outros materiais perigosos como amianto, arsénico, bário, berílio, chumbo, pesticidas ou outros materiais que ponham a saúde em perigo.
10. Coloque sempre o aspirador numa superfície plana horizontal para evitar a respetiva queda ou o respetivo movimento accidental.
11. Nunca utilize o aspirador no exterior, à chuva.
12. No caso da Finlândia, esta máquina não deve ser utilizada ao ar livre a baixa temperatura.
13. Não utilize junto de fontes de calor (fornos, etc.).
14. Se o ar de exaustão for retornado à divisão, é necessário providenciar uma taxa de mudança de ar adequada na divisão. É necessário consultar os regulamentos nacionais.
15. Não bloqueie o bocal de sucção/a saída/os ventiladores de arrefecimento. Estes ventiladores permitem arrefecer o motor. Os entupimentos devem ser cuidadosamente evitados, caso contrário, o motor queima por falta de ventilação.
16. Mantenha sempre o equilíbrio e os pés bem assentes no chão.
17. Não dobre, arraste nem pise a mangueira.
18. Desligue imediatamente o aspirador se notar qualquer falta de desempenho ou algo fora do normal durante o funcionamento.
19. **REMOVER A(S) BATERIA(S).** Quando não estiver a utilizar o aparelho, antes da assistência técnica e quando mudar de acessórios.
20. Limpe e faça a assistência ao aspirador imediatamente após cada utilização para o manter nas condições de funcionamento normal.
21. **CONSERVE O ASPIRADOR COM CUIDADO.** Mantenha o aspirador limpo para obter um desempenho melhor e mais seguro. Siga as instruções para mudar os acessórios. Mantenha as peças secas, limpas e sem óleo e gordura.
22. **VERIFIQUE AS PEÇAS DANIFICADAS.** Antes de continuar a utilizar o aspirador deve verificar cuidadosamente se qualquer resguardo ou outra peça está danificado para determinar se o aspirador funcionará adequadamente e realizará a função pretendida. Verifique o alinhamento das peças móveis, a união das peças móveis, a quebra de peças, a montagem e quaisquer outras condições que possam afetar o seu funcionamento. Um resguardo ou outra peça danificado deve ser adequadamente reparado ou substituído por um centro de assistência autorizado, a menos que indicado o contrário em qualquer outro lugar neste manual. Peça a substituição de interruptores defeituosos junto de um centro de assistência autorizado. Não utilize o aspirador se o interruptor não o ligar ou desligar.
23. No caso de manutenção por parte do utilizador, a máquina deve ser desmontada, limpa e reparada, tanto quanto for razoavelmente possível, sem pôr em risco o pessoal de manutenção e outras pessoas.
24. A máquina deve ser inspecionada tecnicamente pelo fabricante ou por uma pessoa instruída, pelo menos anualmente, incluindo, por exemplo, a inspeção de filtros quanto a danos, estanquidade da máquina e funcionamento adequado do mecanismo de controlo.
25. Quando realizar operações de manutenção ou reparação, todos os itens contaminados que não possam ser limpos satisfatoriamente devem ser eliminados; tais itens devem ser eliminados em sacos impermeáveis, de acordo com quaisquer regulamentos atuais para a eliminação de tais resíduos.
26. **PEÇAS DE SUBSTITUIÇÃO.** Durante a assistência, utilize apenas peças de substituição idênticas.
27. **GUARDE O ASPIRADOR PARADO.** Quando não estiver a utilizar o aspirador, deve guardá-lo no interior.
28. Os filtros húmidos e a parte interior do recipiente de líquido devem ser secos antes de serem guardados.
29. Tenha cuidado com o aspirador. Um manuseamento severo pode provocar quebras até mesmo ao aspirador mais robusto.
30. Não tente limpar o exterior ou o interior com gasolina, diluente ou produtos químicos de limpeza. Pode provocar rachas ou descoloração.

31. Não utilize o aspirador num espaço fechado onde existam vapores inflamáveis, explosivos ou tóxicos devido a tintas à base de óleo, diluente de tinta, gasolina, algumas substâncias repelentes de traças, etc. ou em áreas onde estejam presentes poeiras inflamáveis.
32. Não opere esta ou qualquer ferramenta sob a influência de drogas ou álcool.
33. Utilize óculos de segurança ou de proteção com proteções laterais como medida básica de segurança.
34. Utilize uma máscara contra pó em condições de trabalho poeirentas.
35. Esta máquina não deve ser utilizada por pessoas com capacidades físicas, sensoriais ou mentais reduzidas nem por crianças ou pessoas com falta de experiência ou conhecimentos.
36. As crianças devem ser supervisionadas, de modo a assegurar que não brincam com o aspirador.
37. Nunca manuseie a(s) bateria(s) e o aspirador com as mãos molhadas.
38. Tenha extremo cuidado quando limpar escadas.
39. Não utilize o aspirador como banco ou bancada de trabalho. A máquina pode cair e resultar em ferimentos pessoais.

Utilização e cuidados com a ferramenta a bateria

1. **Recarregue apenas com o carregador especificado pelo fabricante.** Um carregador adequado para um tipo de bateria pode criar um risco de incêndio quando utilizado com outra bateria.
2. **Utilize as ferramentas elétricas apenas com as baterias especificamente designadas.** A utilização de uma bateria diferente pode criar um risco de ferimentos e de incêndio.
3. **Quando a bateria não está a ser utilizada, mantenha-a afastada de outros objetos metálicos, como cliques, moedas, chaves, pregos, parafusos ou outros objetos metálicos pequenos que possam fazer a ligação entre os dois terminais.** Colocar os terminais da bateria em curto-circuito um com o outro pode provocar queimaduras ou um incêndio.
4. **Em condições abusivas, o líquido pode ser ejetado da bateria; evite o contacto com o mesmo. Se ocorrer um contacto acidental, lave com água. Se o líquido entrar em contacto com os olhos, procure também assistência médica.** O líquido ejetado da bateria pode provocar irritações ou queimaduras.
5. **Não utilize um conjunto de baterias ou uma ferramenta que se encontrem danificados ou modificados.** As baterias danificadas ou modificadas poderão exibir um comportamento imprevisível, resultando em incêndio, explosão ou risco de lesão.
6. **Não exponha um conjunto de baterias ou uma ferramenta a incêndio ou temperatura excessiva.** A exposição a incêndio ou a uma temperatura superior a 130 °C poderá causar uma explosão.
7. **Siga todas as instruções de carregamento e**

não carregue o conjunto de baterias ou ferramenta fora da amplitude de temperaturas especificada nas instruções. O carregamento impróprio ou a temperaturas fora da amplitude especificada poderá danificar a bateria e aumentar o risco de incêndio.

GUARDE ESTAS INSTRUÇÕES.

⚠️AVISO: NÃO permita que conforto ou familiaridade com o produto (adquirido com o uso repetido) substitua a aderência estrita às regras de segurança da ferramenta. **MÁ INTERPRETAÇÃO** ou não seguimento das regras de segurança estabelecidas neste manual de instruções pode causar danos pessoais sérios.

Instruções de segurança importantes para a bateria

1. **Antes de utilizar a bateria, leia todas as instruções e etiquetas de precaução no (1) carregador de bateria (2) bateria e (3) produto que utiliza a bateria.**
2. **Não desmonte ou manipule a bateria.** Pode resultar num incêndio, em calor excessivo ou numa explosão.
3. **Se o tempo de funcionamento se tornar excessivamente curto, pare o funcionamento imediatamente. Pode resultar em sobreaquecimento, possíveis queimaduras e mesmo explosão.**
4. **Se entrar eletrólito nos seus olhos, lave-os com água e consulte imediatamente um médico. Pode resultar em perda de visão.**
5. **Não coloque a bateria em curto-circuito:**
 - (1) **Não toque nos terminais com qualquer material condutor.**
 - (2) **Evite guardar a bateria juntamente com outros objetos metálicos tais como pregos, moedas, etc.**
 - (3) **Não exponha a bateria à água ou chuva. Um curto-circuito pode ocasionar um enorme fluxo de corrente, sobreaquecimento, possíveis queimaduras e mesmo estragar-se.**
6. **Não guarde nem utilize a ferramenta e a bateria em locais onde a temperatura pode atingir ou exceder 50 °C.**
7. **Não queime a bateria mesmo que esteja estragada ou completamente gasta. A bateria pode explodir no fogo.**
8. **Não pregue, corte, esmague, atire, deixe cair a bateria, nem bata a bateria contra um objeto rijo.** Esta conduta pode resultar num incêndio, em calor excessivo ou numa explosão.
9. **Não utilize uma bateria danificada.**
10. **As baterias de íões de lítio contidas na ferramenta são sujeitas aos requisitos da DGL (Dangerous Goods Legislation - Legislação de bens perigosos).**

Para o transporte comercial, por exemplo, por terceiros ou agentes de expedição, têm de ser observados os requisitos referentes à embalagem e etiquetagem.

Para preparação do artigo a ser expedido, é

necessário consultar um perito em materiais perigosos. Tenha ainda em conta a possibilidade de existirem regulamentos nacionais mais detalhados.

Coloque fita-cola ou tape os contactos abertos e embale a bateria de tal forma que não possa mover-se dentro da embalagem.

11. Quando eliminar a bateria, remova-a da ferramenta e elimine-a num local seguro. Siga os regulamentos locais relacionados com a eliminação de baterias.
12. Utilize as baterias apenas com os produtos especificados pela Makita. Instalar as baterias em produtos não-conformes poderá resultar num incêndio, calor excessivo, explosão ou fuga de eletrólito.
13. Se a ferramenta não for utilizada durante um período de tempo prolongado, a bateria deve ser removida da ferramenta.
14. Durante e após a utilização, a bateria pode aquecer, o que pode provocar queimaduras ou queimaduras a baixa temperatura. Preste atenção ao manuseamento de baterias quentes.
15. Não toque no terminal da ferramenta imediatamente após a utilização, pois pode ficar suficientemente quente para provocar queimaduras.
16. Não permita a adesão de aparas, pó ou sujidade nos terminais, nos orifícios e nas ranhuras da bateria. Poderá fazer com que a ferramenta ou a bateria aqueça, incendeie, rebente e avarie, resultando em queimaduras ou ferimentos corporais.
17. A menos que a ferramenta suporte a utilização perto de linhas elétricas de alta tensão, não utilize a bateria perto de linhas elétricas de alta tensão. Pode resultar no mau funcionamento ou na avaria da ferramenta ou bateria.
18. Mantenha a bateria afastada das crianças.

GUARDE ESTAS INSTRUÇÕES.

⚠PRECAUÇÃO: Utilize apenas baterias genuínas da Makita. A utilização de baterias não genuínas da Makita ou de baterias que foram alteradas, pode resultar no rebentamento da bateria provocando incêndios, ferimentos pessoais e danos. Além disso, anulará da garantia da Makita no que se refere à ferramenta e ao carregador Makita.

Conselhos para manter a máxima vida útil da bateria

1. Carregue a bateria antes que esteja completamente descarregada. Pare sempre o funcionamento da ferramenta e carregue a bateria quando notar menos poder na ferramenta.
2. Nunca carregue uma bateria completamente carregada. Carregamento excessivo diminui a vida útil da bateria.
3. Carregue a bateria à temperatura ambiente de 10 °C – 40 °C. Deixe que uma bateria quente arrefeça antes de a carregar.
4. Quando não utilizar a bateria, remova-a da ferramenta ou do carregador.
5. Carregue a bateria se não a utilizar durante um

longo período de tempo (mais de seis meses).

Instruções de segurança importantes para a unidade sem fios

1. Nunca abra a tampa da ranhura por si próprio após a instalação da unidade sem fios.
2. Não desmonte ou manipule a unidade sem fios.
3. Mantenha a unidade sem fios afastada das crianças. Se ocorrer a ingestão accidental, procure imediatamente cuidados médicos.
4. Utilize a unidade sem fios apenas com ferramentas Makita.
5. Não exponha a unidade sem fios à chuva ou a condições húmidas.
6. Não utilize a unidade sem fios em locais onde a temperatura excede 50 °C.
7. Não utilize a unidade sem fios em locais próximos de instrumentos médicos, tais como estimuladores cardíacos.
8. Não utilize a unidade sem fios em locais próximos de dispositivos automatizados. Se utilizada, os dispositivos automatizados podem desenvolver anomalias ou erros.
9. Não utilize a unidade sem fios em locais sob temperaturas altas ou locais nos quais possa ser gerada eletricidade estática ou ruído elétrico.
10. A unidade sem fios pode produzir campos eletromagnéticos (CEM) mas estes não são nocivos para o utilizador.
11. A unidade sem fios é um instrumento preciso. Tenha cuidado para não deixar cair a unidade sem fios nem bater nesta.
12. Evite tocar no terminal da unidade sem fios com as mãos desprotegidas ou com materiais metálicos.
13. Retire sempre a bateria do produto quando instalar a unidade sem fios.
14. Quando abrir a tampa da ranhura, evite o local no qual a poeira e a água podem entrar para a ranhura. Mantenha sempre a entrada da ranhura limpa.
15. Insira sempre a unidade sem fios na direção correta.
16. Não pressione o botão de ativação sem fios na unidade sem fios com demasiada força e/ou pressione o botão com um objeto com aresta afiada.
17. Feche sempre a tampa da ranhura quando utilizar a ferramenta.
18. Não remova a unidade sem fios da ranhura enquanto estiver a ser fornecida alimentação elétrica à ferramenta. Fazê-lo pode causar a anomalia da unidade sem fios.
19. Não remova o adesivo da unidade sem fios.
20. Não coloque qualquer adesivo na unidade sem fios.
21. Não deixe a unidade sem fios num local em que possa ser gerada eletricidade estática ou ruído elétrico.
22. Não deixe a unidade sem fios num local sujeito

a calor intenso, tal como um veículo exposto ao sol.

23. Não deixe a unidade sem fios num local poeirento ou pulverulento ou num local onde possa ser gerado gás corrosivo.
24. A mudança súbita da temperatura pode molhar a unidade sem fios com condensação. Não utilize a unidade sem fios até que a condensação esteja completamente seca.
25. Quando limpar a unidade sem fios, limpe-a suavemente com um pano macio e seco. Não utilize benzina, diluente, massa lubrificante condutora ou similar.
26. Quando armazenar a unidade sem fios, guarde-a na caixa fornecida ou num recipiente anti-estática.
27. Não insira quaisquer dispositivos diferentes da unidade sem fios Makita na ranhura na ferramenta.
28. Não utilize a ferramenta com a tampa da ranhura danificada. A entrada de água, poeira e sujidade na ranhura pode causar o mau funcionamento.
29. Não puxe e/ou torça a tampa da ranhura além do necessário. Recoloque a tampa se esta sair da ferramenta.
30. Substitua a tampa da ranhura se a perder ou danificar.

GUARDE ESTAS INSTRUÇÕES.

DESCRIÇÃO FUNCIONAL

⚠️ PRECAUÇÃO: Certifique-se sempre de que o aparelho está desligado e que as baterias foram removidas antes de ajustar ou verificar qualquer função no aparelho.

Instalação ou remoção da bateria

⚠️ PRECAUÇÃO: Desligue sempre a ferramenta antes de colocar ou retirar a bateria.

⚠️ PRECAUÇÃO: Segure firmemente o aspirador e a bateria quando instalar ou remover a bateria. Se não segurar firmemente o aspirador e a bateria pode fazer com que escorreguem das suas mãos resultando em danos no aspirador e na bateria e ferimentos pessoais.

⚠️ PRECAUÇÃO: Tenha cuidado para não prenda os dedos quando abrir ou fechar a tampa da bateria. Se não o fizer poderá causar lesões físicas.

Para instalar a bateria, solte primeiramente o bloqueio e abra a tampa da bateria. De seguida, insira a bateria.

► **Fig.1:** 1. Bloqueio 2. Tampa da bateria

Alinhe a lingueta na bateria com a ranhura no compartimento e deslize-a para a posição correta. Insira-a completamente até bloquear na posição correta com um pequeno clique. De seguida, bloqueie a tampa da bateria.

► **Fig.2:** 1. Bateria 2. Botão

Para retirar a bateria, deslize-a para fora da ferramenta enquanto desliza o botão na frente da bateria.

⚠️ PRECAUÇÃO: Instale sempre a bateria até ao fim. Caso contrário, esta poderá cair do aspirador acidentalmente provocando ferimentos em si mesmo ou em alguém próximo.

⚠️ PRECAUÇÃO: Não instale a bateria à força. Se a bateria não deslizar facilmente é porque não foi colocada corretamente.

NOTA: O aspirador não funciona com apenas uma bateria.

Indicação da capacidade restante da bateria

Prima o botão de verificação na bateria para indicar a capacidade restante da bateria. As luzes indicadoras acendem durante alguns segundos.

► **Fig.3:** 1. Luzes indicadoras 2. Botão de verificação

Luzes indicadoras			Capacidade restante
Aceso	Apagado	A piscar	
■ ■ ■ ■	□ □ □ □	◐ ◐	75% a 100%
■ ■ ■ □	□ □ □ □	◐ ◐	50% a 75%
■ ■ □ □	□ □ □ □	◐ ◐	25% a 50%
■ □ □ □	□ □ □ □	◐ ◐	0% a 25%
◐ ◐ □ □	□ □ □ □	◐ ◐	Carregar a bateria.
■ ■ □ □	□ □ □ □	◐ ◐	A bateria pode estar avariada.

NOTA: Dependendo das condições de utilização e da temperatura ambiente, a indicação pode ser ligeiramente diferente da capacidade real.

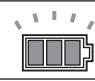
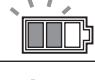
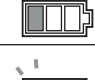

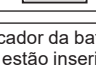
NOTA: A primeira luz indicadora (extremo esquerdo) pisca quando o sistema de proteção da bateria funciona.

Indicadores de bateria no painel de controlo

É possível ler a restante capacidade da bateria no painel de controlo em qualquer momento. Pressione o botão de verificação e os indicadores esquerdo e direito irão apresentar os níveis de carga de bateria de forma correspondente.

► **Fig.4:** 1. Indicador da bateria esquerdo 2. Indicador da bateria direito 3. Botão de verificação

► **Fig.5**

Estado dos indicadores da bateria			Capacidade restante da bateria
Aceso	Apagado	A piscar	
			50% a 100%
			20% a 50%
			0% a 20%
			Carregar a bateria
			Bateria não inserida

NOTA: O indicador da bateria funciona enquanto duas baterias estão inseridas.

NOTA: Os indicadores de bateria serão também ativados quando o aspirador começar a funcionar.



Sistema de proteção do aparelho/da bateria

O aparelho está equipado com um sistema de proteção do aparelho/da bateria. Este sistema desliga automaticamente a alimentação do motor para prolongar a vida útil do aparelho e da bateria. O aparelho para automaticamente durante o funcionamento se o aparelho ou a bateria se encontrar numa das seguintes condições:


Proteção contra sobrecarga

Quando o aparelho/a bateria é utilizado/a de uma forma que causa a absorção de uma corrente anormalmente alta, o aparelho para automaticamente. Nesta situação, desligue o aparelho e pare a aplicação que causou a sobrecarga do aparelho. Em seguida, ligue o aparelho para reiniciar.

Proteção contra sobreaquecimento

Aceso	A piscar
	
	

Quando o aparelho estiver sobreaquecido, o aparelho para automaticamente e os indicadores de bateria esquerdo e direito piscam. Nesta situação, deixe o aparelho arrefecer e limpe os filtros antes de o ligar novamente.

Aceso	A piscar
	

Quando a bateria estiver sobreaquecida, o aparelho para automaticamente e um dos indicadores de bateria

sobreaquecida pisca. Nesta situação, deixe a bateria arrefecer antes de ligar novamente o aparelho.

Proteção contra descarga excessiva

Quando a capacidade da bateria ficar fraca, o aparelho para automaticamente. Se o aparelho não funcionar com a operação de comutação, remova as baterias do aparelho e recarregue-as.

Proteções contra outras causas

O sistema de proteção foi também concebido para outras causas que possam danificar o aparelho e permite ao aparelho parar automaticamente. Tome todas as medidas que se seguem para eliminar as causas quando o aparelho tiver parado ou interrompido temporariamente a operação.

- Desligue o aparelho e, em seguida, volte a ligá-lo para reiniciar.
- Carregue a(s) bateria(s) ou substitua-a(s) por bateria(s) recarregada(s).
- Deixe o aparelho e a(s) bateria(s) arrefecerem.

Se não for possível constatar qualquer melhoria através do restauro do sistema de proteção, contacte o centro de assistência Makita local.

Ação do interruptor

Ligar o aspirador

- Rode o interruptor do modo de espera para a posição "I" (Ligado) ou "AUTO" (Ligado) para que o aspirador esteja disponível no modo de espera.
- Pressione o botão de ligar. Para retornar ao modo de espera, pressione novamente o botão de ligar.

Desligar o aspirador

Efetue um dos seguintes passos.

- Pressione o botão de ligar para voltar a definir o aspirador para o modo de espera.
- Rode o interruptor do modo de espera para a posição "O" (Desligado).

Ajustar a potência de sucção

A potência de sucção pode ser ajustada de acordo com a necessidade do seu trabalho.

- Rode o botão de ajuste da força de sucção para a esquerda para reduzir a potência de sucção.
- Rode o botão de ajuste da força de sucção para a direita para aumentar a potência de sucção.

► **Fig.6:** 1. Interruptor do modo de espera 2. Botão de ajuste da força de sucção 3. Botão de ligar

OBSERVAÇÃO: Defina sempre o interruptor do modo de espera para o lado "O" quando não utilizar o aspirador por um período prolongado. O aspirador consome potência durante o estado de espera.

Paragem da sucção automática durante a operação de sucção a húmido

AVISO: Não recolha espuma ou líquido com detergente. Tal pode causar a saída de espuma da saída de ar. A utilização contínua nestas condições pode causar um choque elétrico e a quebra do aspirador.

O aspirador possui um mecanismo que evita que a água imerja no motor quando recolhe mais do que uma determinada quantidade de água.

Quando o reservatório está cheio com líquido, o aspirador para automaticamente. Desligue o aspirador e esvazie o reservatório.

Sistema de limpeza dos filtros

Este aparelho tem um sistema de limpeza dos filtros. Durante a utilização do aparelho, o sistema de limpeza dos filtros remove automaticamente o pó dos filtros para evitar a redução da força de sucção devido ao entupimento dos filtros.

Se o aparelho aspirar a grande quantidade de pó de uma só vez, a força de sucção pode diminuir. Nesse caso, é recomendada a limpeza manual dos filtros.

1. Desligue o aparelho.
2. Defina a potência de sucção para o máximo e, em seguida, feche a abertura da mangueira de sucção com a sua palma.
3. Ligue o aparelho e utilize-o durante, aproximadamente, 15 segundos com a abertura da mangueira de sucção fechada.

► Fig.7: 1. Abertura da mangueira de sucção

NOTA: O volume de ar pode alterar enquanto o sistema de limpeza dos filtros está a ser ativado, mas não está a funcionar incorretamente.

Drenagem de água

Quando o reservatório está cheio com líquido, desligue o aspirador e abra a tampa de drenagem de água para esvaziar o reservatório.

► Fig.8: 1. Tampa de drenagem de água

Bloquear e desbloquear os rodízios

Os rodízios dianteiros podem ser bloqueados com batentes para favorecer a imobilização do aspirador. Baixe a alavanca do batente manualmente para bloquear o rodízio e levante-a para soltar.

► Fig.9: 1. Rodízio 2. Alavanca do batente 3. Posição DESBLOQUEADA 4. Posição BLOQUEADA

NOTA: Quando mover o aspirador, certifique-se de que o rodízio está desbloqueado. Mover o aspirador com o rodízio numa posição bloqueada pode causar danos no rodízio.

Alça de transporte

PRECAUÇÃO: Levante e transporte o aparelho com o devido cuidado. O não cumprimento desta instrução pode provocar ferimentos pessoais ou danos no aparelho.

Quando transportar o aspirador, transporte-o segurando a pega situada na unidade superior. A pega é retrátil na unidade superior quando não está a ser utilizada.

► Fig.10

Se for difícil transportar o aparelho por si próprio, transporte-o recorrendo a duas pessoas conforme apresentado na figura.

► Fig.11

► Fig.12

MONTAGEM

PRECAUÇÃO: Certifique-se sempre de que o aparelho está desligado e que as baterias foram removidas antes de efetuar qualquer trabalho no aparelho.

PRECAUÇÃO: Use sempre máscara anti-pó durante a montagem ou manutenção.

Instalar e eliminar o saco de filtro

Acessório opcional

AVISO: Antes de utilizar um saco de filtro, certifique-se de que a unidade de filtro é utilizada em conjunto. Se não utilizar a unidade de filtro em conjunto, pode causar ruído incomum e calor resultando num incêndio.

OBSERVAÇÃO: Nunca recolha água ou outros líquidos ou pós húmidos quando utilizar um saco de filtro. Recolher essas coisas poderá causar a ruptura do saco de filtro.

1. Solte os ganchos de bloqueio e levante a unidade superior para fora do reservatório.

► Fig.13: 1. Gancho de bloqueio

2. Desdobre um saco de filtro.

3. Alinhe a abertura do saco de filtro com a entrada de pó do reservatório.

4. Insira o cartão do saco de filtro na ferramenta, de modo a ficar posicionado na extremidade além da saliência de detenção.

► Fig.14: 1. Saco de filtro 2. Abertura do papelão 3. Suporte do saco de filtro 4. Entrada de pó 5. Extremidade

Quando eliminar o saco de filtro, puxe a extremidade na entrada do saco de filtro de modo que a entrada fique fechada por um papel.

Instalar o saco de polietileno

Coloque um saco de polietileno sobre o reservatório e deslize um lado do bordo superior do saco na sua extremidade aberta para o espaço entre a placa do suporte e a parede frontal do reservatório.

Em seguida, espalhe as outras extremidades superiores do saco para fora sobre as bordas superiores do reservatório.

É possível utilizar um saco de polietileno com um saco de filtro.

► **Fig.15:** 1. Placa do suporte 2. Parede frontal do reservatório 3. Saco de polietileno

NOTA: Pode ser utilizado um saco de polietileno disponível no mercado. Recomenda-se uma espessura superior a 0,04 mm e um perímetro superior a 2.000 mm.

NOTA: Um nível demasiado elevado de pó irá rasgar facilmente o saco de polietileno, por isso, não encha demasiado o saco. A eliminação de um saco pesado pode constituir um fardo para um corpo humano.

Esvaziar o reservatório com saco de polietileno

⚠AVISO: Certifique-se sempre de que o aspirador está desligado e que as baterias foram removidas antes de esvaziar o reservatório. O não cumprimento desta instrução pode causar choque elétrico e ferimentos pessoais graves.

OBSERVAÇÃO: Esvazie o reservatório pelo menos uma vez por dia, embora isso dependa do volume de pó recolhido no reservatório. Ou, a força de sucção enfraquecerá e o motor poderá avariar.

OBSERVAÇÃO: Não agarre os ganchos de bloqueio quando esvaziar o reservatório. Agarrar os ganchos de bloqueio pode fazer com que se partam.

1. Solte os ganchos de bloqueio e levante a unidade superior para fora do reservatório.

2. Remova o saco de polietileno para fora do reservatório fechando manualmente a abertura do saco.

► **Fig.16:** 1. Saco de polietileno 2. Reservatório

NOTA: Retire cuidadosamente o saco de polietileno do reservatório para evitar que fique riscado e seja rasgado pelos bordos no interior do reservatório.

NOTA: Esvazie o saco de polietileno antes de este ficar cheio. Demasiado pó no reservatório poderá causar o rasgo do saco de polietileno.

Instalar a mangueira

OBSERVAÇÃO: Nunca force a mangueira para curvÁ-la ou marcÁ-la. Nunca mova o aspirador puxando a mangueira. Forçar, marcar e puxar a mangueira pode causar uma quebra ou deformação da mangueira.

OBSERVAÇÃO: Quando recolher grandes resíduos como entalhes de plainas, pós concretos ou similares além de pequenos resíduos, utilize a mangueira com diÁmetro interior de 38 mm (acessório opcional). Utilizar a mangueira com 28 mm de diÁmetro interior (acessório opcional) poderá causar o enchimento e danos da mangueira.

Ligação ao aspirador

Insira a extremidade da mangueira na entrada de pó (entrada da mangueira) do aspirador e, em seguida, rode-a para a direita até bloquear no devido lugar.

► **Fig.17:** 1. Mangueira 2. Entrada de pó (entrada da mangueira)

Ligações às suas ferramentas de trabalho (Específico do país)

Ao ligar o aspirador a quaisquer ferramentas de trabalho disponíveis e compatíveis com o aspirador, este funciona como um extrator de pó para as suas ferramentas elétricas.

Selecione uma das bainhas frontais ou juntas (acessórios opcionais) como as mais adequadas para o seu modelo de ferramenta. Coloque as bainhas ou a junta, conforme necessário, entre a extremidade frontal da mangueira do aspirador e uma porta de extração de pó da sua ferramenta.

► **Fig.18:** 1. Bainhas frontais ou junta 2. Mangueira do aspirador 3. Ferramenta elétrica 4. Aspirador

Instalar ou remover os acessórios do aspirador

⚠PRECAUÇÃO: Após instalar um acessório, verifique se este está firmemente instalado. Se instalar o acessório de forma imperfeita, este pode soltar-se e provocar ferimentos.

Quando utilizar o acessório sem a função de bloqueio

Acessório opcional

Insira um acessório no bocal de sucção do aspirador empurrando-o e apertando-o manualmente no devido lugar.

Rode manualmente e desmonte o acessório do bocal de sucção após a utilização.

► **Fig.19**

Instalar a MAKPAC

Acessório opcional

⚠️ PRECAUÇÃO: Não se apoie nem se sente no topo do aparelho. Este pode cair devido à instabilidade.

⚠️ PRECAUÇÃO: Tenha cuidado com a operação quando instalar a MAKPAC. O não cumprimento desta instrução pode provocar ferimentos pessoais ou danos no aparelho.

⚠️ PRECAUÇÃO: Quando a MAKPAC está instalada no aparelho, não levante o aparelho com a pega da MAKPAC.

⚠️ PRECAUÇÃO: Quando mover o aparelho em que a MAKPAC está instalada, não empurre a MAKPAC mas sim o corpo do aparelho. Empurrar a MAKPAC pode quebrar os trincos e deixar cair a MAKPAC, o que pode provocar ferimentos pessoais.

É possível instalar caixas de armazenamento MAKPAC conectáveis e empilháveis no topo do aspirador. As caixas estão disponíveis em vários tamanhos e estilos para se adequarem às suas preferências.

1. Abra os trincos na superfície superior do aspirador.

► Fig.20: 1. Trinco

2. Monte as caixas MAKPAC no topo do aspirador e fixe-as com os trincos.

► Fig.21: 1. Trinco 2. MAKPAC

A altura e o peso máximos de instalação da MAKPAC são de 315 mm e de 20 kg, respetivamente.

► Fig.22

FUNÇÃO DE ATIVAÇÃO SEM FIOS

Acessório opcional

O que pode fazer com a função de ativação sem fios

A função de ativação sem fios possibilita um funcionamento limpo e confortável. Ao ligar uma ferramenta suportada ao aspirador, pode utilizar o aspirador automaticamente juntamente com o funcionamento por interruptor da ferramenta.

► Fig.23

OBSERVAÇÃO: Consulte também o manual de instruções da ferramenta quando utilizar o aspirador com a função de ativação sem fios.

OBSERVAÇÃO: Não desmonte ou manipule a unidade sem fios.

OBSERVAÇÃO: Para evitar a entrada de poeira na ranhura da unidade sem fios, feche sempre a tampa firmemente durante a operação e o armazenamento.

OBSERVAÇÃO: Não pressione o botão de ativação sem fios com demasiada força e/ou pressione o botão com um objeto com aresta afiada.

NOTA: A ativação sem fios necessita de ferramentas Makita equipadas com a unidade sem fios.

NOTA: Antes da utilização inicial da função de ativação sem fios com cada ferramenta, é necessário realizar o registo da ferramenta. Após ter concluído o registo da ferramenta, não é necessário voltar a registá-la, exceto se for cancelado.

NOTA: Antes de realizar o registo, verifique se a unidade sem fios está inserida corretamente.

NOTA: Uma unidade sem fios pode registar até 10 ligações com outras unidades sem fios. Se estiverem registadas mais de 10 unidades sem fios para uma unidade sem fios, a unidade sem fios registada mais cedo será cancelada automaticamente.

NOTA: A posição do botão de ativação sem fios varia em função da ferramenta.

NOTA: O aspirador também efetua o arranque ao pressionar o botão de ligar quando o interruptor do modo de espera estiver regulado para "AUTO". Contudo, o botão de ligar não atua quando a função de ativação sem fios é usada.

Instalar a unidade sem fios

⚠️ AVISO: Abra apenas a tampa quando instalar a unidade sem fios pela primeira vez. Nunca abra a tampa após instalá-la.

⚠️ PRECAUÇÃO: Coloque o aspirador numa superfície plana e estável quando instalar a unidade sem fios.

OBSERVAÇÃO: Limpe a poeira e a sujidade do aspirador antes de instalar a unidade sem fios. A poeira e a sujidade podem causar o mau funcionamento caso entrem na ranhura da unidade sem fios.

OBSERVAÇÃO: Para evitar o mau funcionamento causado pela estática, toque num material de descarga estática, tal como uma peça metálica, antes de pegar na unidade sem fios.

OBSERVAÇÃO: Quando instalar a unidade sem fios, certifique-se sempre de que a unidade sem fios é inserida na direção correta e que a tampa está completamente fechada.

1. Solte o parafuso para abrir a tampa do aspirador conforme apresentado na figura.

► Fig.24: 1. Tampa 2. Parafuso

2. Insira a unidade sem fios na ranhura.

Quando inserir a unidade sem fios, alinhe as projeções com as partes encaixadas na ranhura.

► **Fig.25:** 1. Unidade sem fios 2. Projeção 3. Tampa 4. Parte encaixada

3. Aperte completamente o parafuso para fechar a tampa.

Registo da ferramenta para o aspirador

NOTA: É necessária uma ferramenta Makita que suporta a função de ativação sem fios para realizar o registo da ferramenta.

NOTA: Conclua a instalação da unidade sem fios na ferramenta antes de iniciar o registo da ferramenta.

NOTA: Durante o registo da ferramenta, não puxe o gatilho do interruptor na ferramenta ou ligue o interruptor de alimentação do aspirador.

NOTA: Consulte também o manual de instruções da ferramenta.

Se pretender ativar o aspirador juntamente com o funcionamento por interruptor da ferramenta, conclua primeiramente o registo da ferramenta.

1. Instale as unidades sem fios no aspirador e na ferramenta, respetivamente.
2. Instale as baterias no aspirador e na ferramenta.
3. Regule o interruptor do modo de espera no aspirador para "AUTO".
► **Fig.26:** 1. Interruptor do modo de espera
4. Pressione o botão de ativação sem fios do aspirador durante 3 segundos até a lâmpada de ativação sem fios piscar a verde. Em seguida, pressione o botão de ativação sem fios da ferramenta da mesma forma.
► **Fig.27:** 1. Botão de ativação sem fios 2. Lâmpada de ativação sem fios

Se o aspirador e a ferramenta forem ligados com sucesso, as lâmpadas de ativação sem fios acendem a verde durante 2 segundos e começam a piscar a azul.

NOTA: As lâmpadas de ativação sem fios acabam de piscar a verde após decorridos 20 segundos. Pressione o botão de ativação sem fios da ferramenta enquanto a lâmpada de ativação sem fios do aspirador estiver a piscar. Se a lâmpada de ativação sem fios não piscar a verde, pressione o botão de ativação sem fios por breves instantes e mantenha-o pressionado novamente.

NOTA: Quando realizar dois ou mais registos da ferramenta para o aspirador, conclua o registo da ferramenta um por um.

Iniciar a função de ativação sem fios

NOTA: Conclua o registo da ferramenta para o aspirador para a ativação sem fios.

NOTA: Coloque sempre o aspirador de modo a ver o estado da lâmpada de ativação sem fios.

NOTA: Consulte também o manual de instruções da ferramenta.

Após registar uma ferramenta para o aspirador, o aspirador funciona automaticamente com o funcionamento por interruptor da ferramenta.

1. Instale as unidades sem fios no aspirador e na ferramenta, respetivamente.
2. Instale as baterias no aspirador e na ferramenta.
3. Ligue a mangueira do aspirador à ferramenta.
► **Fig.28**
4. Regule o interruptor do modo de espera no aspirador para "AUTO".
► **Fig.29:** 1. Interruptor do modo de espera
5. Pressione o botão de ativação sem fios da ferramenta por breves instantes. A lâmpada de ativação sem fios pisca a azul.
► **Fig.30:** 1. Botão de ativação sem fios 2. Lâmpada de ativação sem fios
6. Ligue a ferramenta. Verifique se o aspirador funciona enquanto a ferramenta está a funcionar.

PRECAUÇÃO: Verifique sempre se a função de ativação sem fios funciona antes de iniciar um trabalho com a ferramenta.

Para parar a ativação sem fios, pressione o botão de ativação sem fios da ferramenta ou regule o interruptor do modo de espera no aspirador para "I" ou "O".

NOTA: A lâmpada de ativação sem fios da ferramenta para de piscar a azul quando não ocorre qualquer utilização durante 2 horas. Neste caso, regule o interruptor do modo de espera do aspirador para "AUTO" e pressione novamente o botão de ativação sem fios da ferramenta.

NOTA: O aspirador inicia/para com um atraso. Ocorre um atraso temporal quando o aspirador deteta o funcionamento por interruptor da ferramenta.

NOTA: A distância de transmissão da unidade sem fios poderá variar em função do local e das circunstâncias envolventes.

NOTA: Quando duas ou mais ferramentas forem registadas para um aspirador, o aspirador poderá iniciar o seu funcionamento mesmo que não ligue a ferramenta devido ao facto de outro utilizador estar a utilizar a função de ativação sem fios.

Cancelar o registo da ferramenta para o aspirador

Realize o procedimento seguinte quando cancelar o registo da ferramenta para o aspirador.

1. Instale as unidades sem fios no aspirador e na ferramenta, respetivamente.
2. Instale as baterias no aspirador e na ferramenta.
3. Regule o interruptor do modo de espera no aspirador para "AUTO".
► **Fig.31:** 1. Interruptor do modo de espera
4. Pressione o botão de ativação sem fios do aspirador durante 6 segundos. A lâmpada de ativação sem fios pisca a verde e fica vermelha, em seguida. Seguidamente, pressione o botão de ativação sem fios da ferramenta da mesma forma.
► **Fig.32:** 1. Botão de ativação sem fios 2. Lâmpada

de ativação sem fios

Se o cancelamento for realizado com sucesso, as lâmpadas de ativação sem fios acendem a vermelho durante 2 segundos e começam a piscar a azul.

NOTA: As lâmpadas de ativação sem fios acabam de piscar a vermelho após decorridos 20 segundos. Pressione o botão de ativação sem fios da ferramenta enquanto a lâmpada de ativação sem fios do aspirador estiver a piscar. Se a lâmpada de ativação sem fios não piscar a vermelho, pressione o botão de ativação sem fios por breves instantes e mantenha-o pressionado novamente.

Apagar todos os registos da ferramenta

Pode apagar todos os registos da ferramenta do aspirador do seguinte modo.

► **Fig.33:** 1. Interruptor do modo de espera 2. Botão de ativação sem fios 3. Lâmpada de ativação sem fios











1. Instale a unidade sem fios no aspirador.
2. Instale as baterias no aspirador.
3. Regule o interruptor do modo de espera para "AUTO".
4. Pressione o botão de ativação sem fios durante 6 segundos até a lâmpada de ativação sem fios piscar a vermelho (cerca de duas vezes por segundo).
5. Quando a lâmpada de ativação sem fios começa a piscar a vermelho, solte o botão de ativação sem fios. Em seguida, volte a pressionar o botão de ativação sem fios durante cerca de 6 segundos.
6. Quando a lâmpada de ativação sem fios começa a piscar rapidamente (cerca de 5 vezes por segundo) a vermelho, solte o botão de ativação sem fios. Quando a lâmpada de ativação sem fios acende a vermelho e desliga posteriormente, todos os registos da ferramenta são apagados.

NOTA: Se a lâmpada de ativação sem fios não piscar a vermelho, pressione o botão de ativação sem fios por breves instantes e tente novamente.

Descrição do estado da lâmpada de ativação sem fios

► **Fig.34:** 1. Botão de ativação sem fios 2. Lâmpada de ativação sem fios

A lâmpada de ativação sem fios exhibe o estado da função de ativação sem fios. Consulte a tabela seguinte para obter o significado do estado da lâmpada.

Estado	Lâmpada de ativação sem fios			Descrição
	Cor	 Ligada	 A piscar	
Modo de espera	Azul		Aspirador: contínuo Ferramenta: 2 horas	A aguardar o registo da ferramenta ou a função de ativação sem fios está disponível. A lâmpada no aspirador pisca quando o interruptor do modo de espera estiver regulado para AUTO. A lâmpada na ferramenta pisca quando o botão de ativação sem fios for pressionado. A lâmpada na ferramenta desliga automaticamente quando a ferramenta não é utilizada durante 2 horas.
			Quando a ferramenta estiver a funcionar.	A ativação sem fios do aspirador está disponível e a ferramenta está a funcionar.
Registo da ferramenta	Verde		20 segundos	Preparado para o registo da ferramenta. A pesquisar ferramenta para registo.
			2 segundos	O registo da ferramenta foi concluído. A lâmpada de ativação sem fios começa a piscar a azul.
Cancelar/apagar o registo da ferramenta	Vermelho	 (lento: 2 vezes/seg.)	20 segundos	Preparado para o cancelamento do registo da ferramenta. A pesquisar ferramenta a cancelar.
		 (rápido: 5 vezes/seg.)	Quando o botão de ativação sem fios for pressionado.	Pronto para apagar todos os registos da ferramenta.
			2 segundos	O registo da ferramenta foi cancelado/apagado. A lâmpada de ativação sem fios começa a piscar a azul.
Outros	Vermelho		3 segundos	A alimentação elétrica é fornecida à unidade sem fios e a função de ativação sem fios é iniciada.
	Desligada	-	-	O interruptor do modo de espera não está regulado para "AUTO".

Resolução de problemas para a função de ativação sem fios

Antes de pedir uma reparação, realize primeiro a sua própria inspeção. Se encontrar um problema que não esteja explicado no manual, não tente desmontar a ferramenta. Em vez disso, peça as reparações nos centros de assistência técnica autorizados da Makita, usando sempre peças de substituição da Makita.

Estado da anomalia	Causa provável (avaria)	Correção
A lâmpada de ativação sem fios não acende/pisca.	A unidade sem fios não está instalada no aspirador e/ou na ferramenta. A unidade sem fios está instalada incorretamente no aspirador e/ou na ferramenta.	Instale a unidade sem fios corretamente.
	O botão de ativação sem fios da ferramenta não foi pressionado.	Pressione o botão de ativação sem fios da ferramenta por breves instantes.
	O interruptor do modo de espera do aspirador não está regulado para "AUTO".	Regule o interruptor do modo de espera no aspirador para "AUTO".
	Sem fornecimento de alimentação elétrica	Forneça alimentação elétrica à ferramenta e ao aspirador.
Não foi possível concluir o registo da ferramenta / o cancelamento do registo da ferramenta com sucesso.	A unidade sem fios não está instalada no aspirador e/ou na ferramenta. A unidade sem fios está instalada incorretamente no aspirador e/ou na ferramenta.	Instale a unidade sem fios corretamente.
	O interruptor do modo de espera do aspirador não está regulado para "AUTO".	Regule o interruptor do modo de espera no aspirador para "AUTO".
	Sem fornecimento de alimentação elétrica	Forneça alimentação elétrica à ferramenta e ao aspirador.
	Funcionamento incorreto	Pressione o botão de ativação sem fios por breves instantes e volte a realizar os procedimentos de registo da ferramenta/cancelamento.
	A ferramenta e o aspirador estão afastados um do outro (fora do alcance da transmissão).	Aproxime a ferramenta do aspirador. A distância máxima de transmissão é aproximadamente 10 m, contudo, poderá variar de acordo com as circunstâncias.
	Antes de terminar o registo/cancelamento da ferramenta; - o interruptor da ferramenta é ativado; ou - o botão de alimentação no aspirador é ativado.	Pressione o botão de ativação sem fios por breves instantes e volte a realizar os procedimentos de registo da ferramenta/cancelamento.
	Os procedimentos de registo da ferramenta para a ferramenta ou aspirador não foram concluídos.	Realize os procedimentos de registo da ferramenta para a ferramenta e para o aspirador ao mesmo tempo.
Interferência radioelétrica por outros aparelhos que geram ondas de rádio de alta intensidade.	Mantenha a ferramenta e o aspirador afastados de aparelhos como dispositivos Wi-Fi e fornos microondas.	

Estado da anomalia	Causa provável (avaria)	Correção
O aspirador não funciona juntamente com o funcionamento por interruptor da ferramenta.	A unidade sem fios não está instalada no aspirador e/ou na ferramenta. A unidade sem fios está instalada incorretamente no aspirador e/ou na ferramenta.	Instale a unidade sem fios corretamente.
	O botão de ativação sem fios da ferramenta não foi pressionado.	Pressione o botão de ativação sem fios por breves instantes e certifique-se de que a lâmpada de ativação sem fios está a piscar a azul.
	O interruptor do modo de espera do aspirador não está regulado para "AUTO".	Regule o interruptor do modo de espera no aspirador para "AUTO".
	Estão registadas mais de 10 ferramentas para o aspirador.	Realize o registo da ferramenta novamente. Se estiverem registadas mais de 10 ferramentas para o aspirador, a ferramenta registada mais cedo será cancelada automaticamente.
	O aspirador apagou todos os registos da ferramenta.	Realize o registo da ferramenta novamente.
	Sem fornecimento de alimentação elétrica	Forneça alimentação elétrica à ferramenta e ao aspirador.
	A ferramenta e o aspirador estão afastados um do outro (fora do alcance da transmissão).	Aproxime a ferramenta do aspirador. A distância máxima de transmissão é aproximadamente 10 m, contudo, poderá variar de acordo com as circunstâncias.
	Interferência radioelétrica por outros aparelhos que geram ondas de rádio de alta intensidade.	Mantenha a ferramenta e o aspirador afastados de aparelhos como dispositivos Wi-Fi e fornos microondas.
O aspirador funciona enquanto a ferramenta não está a funcionar.	Outros utilizadores estão a utilizar a ativação sem fios do aspirador com as respetivas ferramentas.	Desligue o botão de ativação sem fios das outras ferramentas ou cancele o registo da ferramenta das outras ferramentas.
Não pode apagar todos os registos da ferramenta do aspirador.	Pressionar o botão sem fios da ferramenta.	Pressione o botão sem fios do aspirador para apagar todos os registos da ferramenta.
	O interruptor do modo de espera do aspirador não está regulado para "AUTO".	Regule o interruptor do modo de espera no aspirador para "AUTO".
	O botão de ativação sem fios não está pressionado corretamente.	Pressione o botão de ativação sem fios durante mais de 6 segundos e solte-o quando a lâmpada de ativação sem fios piscar a vermelho. Volte a pressionar o botão de ativação sem fios durante mais de 6 segundos até a lâmpada de ativação sem fios piscar rapidamente a vermelho e, em seguida, solte o botão.

MANUTENÇÃO

⚠️ PRECAUÇÃO: Certifique-se sempre de que o aparelho está desligado e que as baterias foram removidas antes de tentar efetuar qualquer inspeção ou manutenção.

OBSERVAÇÃO: Nunca utilize gasolina, benzina, diluente, álcool ou produtos semelhantes. Pode ocorrer a descoloração, deformação ou rachaduras.

Para manter a SEGURANÇA e a FIABILIDADE do produto, as reparações e qualquer outra manutenção ou ajuste devem ser levados a cabo pelos centros de assistência Makita autorizados ou pelos centros de assistência de fábrica, utilizando sempre peças de substituição Makita.

Remover a unidade de filtro

⚠️ PRECAUÇÃO: Aguarde cerca de 5 minutos até o pó no reservatório assentar por completo.

⚠️ PRECAUÇÃO: Tenha cuidado para não deixar o pó entrar no interior da tampa do reservatório quando remover a unidade de filtro.

A unidade de filtro está fixada na unidade superior. É composta por uma placa superior, pré-filtros, amortecedores e filtros de pó.

1. Solte os ganchos de bloqueio e levante a unidade superior para fora do reservatório.
 2. Remova a unidade de filtro da unidade superior conforme apresentado na figura.
- **Fig.35:** 1. Trinco 2. Unidade de filtro

Remover o filtro de pó e o pré-filtro

Pegue no botão e remova os filtros da placa superior.

- **Fig.36:** 1. Placa superior 2. Filtros 3. Botão

Para evitar que os pós pairem no ar, é preferível remover os filtros no saco de polietileno.

Quando transportar a unidade de filtro para limpar, amarre firmemente um saco de polietileno.

- **Fig.37:** 1. Unidade de filtro 2. Saco de polietileno

- **Fig.38:** 1. Placa superior 2. Filtros 3. Saco de polietileno

Limpar o filtro de pó, o pré-filtro e o amortecedor

Limpe os filtros e o amortecedor de vez em quando. Os filtros e o amortecedor obstruídos podem dar origem a um mau desempenho de sucção.

Limpe regularmente o pó acumulado dos filtros e amortecedor.

Lave ocasionalmente o filtro de pó, o pré-filtro e o amortecedor em água, enxague-os e deixe-os secar bem à sombra antes de utilizar. Nunca os lave numa máquina de lavar roupa.

- **Fig.39**

NOTA: Não esfregue ou arranhe o filtro de pó, o pré-filtro ou o amortecedor com objetos duros, tais como uma escova e uma palheta.

NOTA: Os filtros sofrem desgaste com o tempo. Recomenda-se ter algumas peças sobresselentes para estes.

Instalar o filtro de pó e o pré-filtro

OBSERVAÇÃO: O filtro de pó e o pré-filtro podem recolher tanto pós secos como pós húmidos. Certifique-se de que os sensores de nível de água são devidamente acionados para evitar a quebra do filtro de pó.

Enganche as extremidades da unidade de filtro na placa superior e, em seguida, desça o botão.

- **Fig.40:** 1. Extremidade 2. Botão

OBSERVAÇÃO: Antes de utilizar o filtro de pó, certifique-se de que o pré-filtro e o amortecedor são sempre utilizados em conjunto. Não é permitido instalar unicamente o filtro de pó.

Montar os filtros

Quando receber os filtros em separado, monte-os conforme apresentado na figura.

- **Fig.41:** 1. Filtro de pó 2. Amortecedor 3. Pré-filtro

Instalar a unidade de filtro

Após instalar os filtros na placa superior, enganche os orifícios da unidade de filtro nas peças em forma de U da tampa interior. Em seguida, feche o trinco conforme apresentado na figura.

- **Fig.42:** 1. Peça em forma de U 2. Orifício 3. Trinco

Instalar o filtro de água

Acessório opcional

OBSERVAÇÃO: Para recolher pó húmido, certifique-se de que os sensores de nível de água são devidamente acionados.

OBSERVAÇÃO: Não utilize o pré-filtro e o amortecedor quando utilizar o filtro de água.

Para recolher apenas água ou pó húmido, o filtro de água é mais adequado do que o filtro de pó e o pré-filtro.

Quando instalar o filtro de água, coloque o filtro de água na placa superior de modo semelhante ao filtro de pó e ao pré-filtro.

- **Fig.43**

NOTA: Recomenda-se a utilização do filtro de água quando recolher repetidamente uma grande quantidade de água. Caso contrário, a capacidade de aspiração poderá ser reduzida no caso do filtro de pó e pré-filtro.

Limpar os sensores de nível de água

Os sensores de nível de água detetam líquido quando o reservatório fica cheio com líquido. Limpe de vez em quando os sensores de nível de água com um pano macio quando substituir os filtros.

- **Fig.44:** 1. Sensor de nível de água

Armazenamento de acessórios

Os acessórios e os complementos que não estão a ser utilizados, como os bocais e os tubos, podem ser enganchados e armazenados no gancho na parte traseira do aspirador.

- **Fig.45:** 1. Acessório e complemento que não estão a ser utilizados

Os tubos (com um batente opcional instalado) podem ser colocados no suporte do tubo quando não utilizar o aspirador por um período curto.

- **Fig.46:** 1. Batente (acessório opcional) 2. Suporte do tubo

É possível enrolar e armazenar uma mangueira em torno do corpo ou da pega do aspirador em voltas largas. Ligue as respetivas extremidades entre si para fazer voltas e enganche as voltas na pega levantada. Em alternativa, mantenha a respetiva extremidade original instalada na entrada da mangueira e pendure as voltas no gancho múltiplo com a extremidade solta amarrada.

- **Fig.47**

- **Fig.48**

ACESSÓRIOS OPCIONAIS

⚠️ PRECAUÇÃO: Estes acessórios ou peças são recomendados para utilização com a ferramenta Makita especificada neste manual. A utilização de outros acessórios ou peças pode ser perigosa para as pessoas. Utilize apenas acessórios ou peças para os fins indicados.

Se necessitar de informações adicionais relativas a estes acessórios, solicite-as ao seu centro de assistência Makita.

- Mangueira
- Bainhas frontais (22, 24, 38)
- Tubo reto
- Bocal para cantos
- Escova redonda
- Filtro de pó M, H (HEPA)
- Amortecedor
- Pré-filtro
- Filtro de água
- Conjunto do bocal
- Tubo curvo
- Saco de polietileno
- Saco de filtro
- Bateria e carregador genuínos da Makita
- Unidade sem fios
- MAKPAC

NOTA: Alguns itens da lista podem estar incluídos na embalagem da ferramenta como acessórios padrão. Eles podem variar de país para país.

ΠΡΟΕΙΔΟΠΟΙΗΣΗ

- Το μηχάνημα αυτό δεν προορίζεται για χρήση από άτομα, συμπεριλαμβανομένων των παιδιών, με μειωμένες σωματικές, αισθητήριες ή διανοητικές ικανότητες, ή από άτομα που δεν έχουν πείρα και γνώσεις.
- Τα παιδιά θα πρέπει να επιτηρούνται για να εξασφαλιστεί ότι δεν παίζουν με τη μηχανή.
- Για την αναφορά του τύπου της μπαταρίας, δείτε το κεφάλαιο «ΠΡΟΔΙΑΓΡΑΦΕΣ».
- Για τον τρόπο αφαίρεσης ή τοποθέτησης της μπαταρίας, δείτε την ενότητα «Τοποθέτηση ή αφαίρεση της κασέτας μπαταριών».
- Όταν απορρίπτετε την κασέτα μπαταριών, αφαιρέστε την από το εργαλείο και διαθέστε την σε ένα ασφαλές μέρος. Τηρήστε τους τοπικούς κανονισμούς που σχετίζονται με τη διάθεση της μπαταρίας.
- Αν δεν χρησιμοποιείτε το εργαλείο για μεγάλο χρονικό διάστημα, πρέπει να βγάλετε την μπαταρία από το εργαλείο.
- Μη βραχυκυκλώνετε την κασέτα μπαταριών.
- Για τις κατάλληλες λεπτομέρειες των προφυλάξεων κατά τη διάρκεια της συντήρησης από τον χρήστη, δείτε το κεφάλαιο «ΣΥΝΤΗΡΗΣΗ».

ΠΡΟΔΙΑΓΡΑΦΕΣ

Μοντέλο:		VC007GL
Μέγιστος όγκος αέρα στο τέλος του εύκαμπτου σωλήνα	Με εύκαμπτο σωλήνα BL4050F, $\varnothing 28$ mm x 3,5 m	2,0 m ³ /min
	Με εύκαμπτο σωλήνα BL4050F, $\varnothing 38$ mm x 2,5 m	3,7 m ³ /min
Μέγιστος όγκος αέρα στον στρόβιλο (με BL4050F)		4,9 m ³ /min
Αναρρόφηση (με το BL4050F)		18 kPa
Ανακτήσιμη χωρητικότητα	Σκόνη	40 L
	Νερό	30 L
Διαστάσεις (Μ x Π x Υ)		586 mm x 385 mm x 598 mm
Ονομαστική τάση		D.C. 72 V - 80 V max
Καθαρό βάρος		18,3 - 20,7 kg
Βαθμός προστασίας		IPX4

- Λόγω του συνεχιζόμενου προγράμματος έρευνας και ανάπτυξης, οι προδιαγραφές αυτές υπόκεινται σε αλλαγές χωρίς προειδοποίηση.
- Οι προδιαγραφές μπορεί να διαφέρουν ανάλογα με τη χώρα.
- Το βάρος δεν περιλαμβάνει εξαρτήματα αλλά περιλαμβάνει την(ις) κασέτα(ες) μπαταριών. Το μικρότερο και μεγαλύτερο βάρος των συνδυασμών της συσκευής και της(ων) κασέτας(ών) μπαταριών απεικονίζονται στον πίνακα.

Ισχύουσα κασέτα μπαταριών και φορτιστής

Κασέτα μπαταρίας	BL4020 / BL4025 / BL4040* / BL4050F* / BL4080F* * : Συνιστώμενη μπαταρία
Φορτιστής	DC40RA / DC40RB / DC40RC / DC40WA / BCC01 / BCC02

- Ορισμένες από τις κασέτες και τους φορτιστές μπαταριών που αναγράφονται παραπάνω ίσως να μην είναι διαθέσιμοι, ανάλογα με την τοποθεσία κατοικίας σας.

⚠ ΠΡΟΕΙΔΟΠΟΙΗΣΗ: Να χρησιμοποιείτε μόνο τις κασέτες μπαταριών και τους φορτιστές που παρατίθενται ανωτέρω. Η χρήση οποιασδήποτε άλλης κασέτας μπαταριών ή φορτιστή μπορεί να προκαλέσει τραυματισμό ή/και πυρκαγιά.







Σύμβολα

Παρακάτω παρουσιάζονται τα σύμβολα που μπορούν να χρησιμοποιηθούν για τον εξοπλισμό. Βεβαιωθείτε ότι

κατανοείτε τη σημασία τους πριν από τη χρήση.



Διαβάστε το εγχειρίδιο οδηγιών.

	Απαιτούνται ιδιαίτερη φροντίδα και προσοχή.
	Προειδοποίηση! Η σκούπα μπορεί να περιέχει επικίνδυνη σκόνη.
	Να μη στέκεστε ποτέ πάνω στη σκούπα.
	Μην τοποθετείτε ποτέ οτιδήποτε βαρύτερο από 20 kg (44 lbs) επάνω στη σκούπα.
	Σκόνη τάξης L (ελαφριά). Οι σκούπες αναρρόφησης έχουν τη δυνατότητα να συλλέγουν σκόνη τάξης L. Ακολουθήστε τους κανονισμούς της χώρας σας όσον αφορά τη σκόνη καθώς και την υγεία και ασφάλεια στο χώρο εργασίας.
	Μόνο για τις χώρες της ΕΕ Λόγω της παρουσίας των επικίνδυνων συστατικών μερών στον εξοπλισμό, ο απόβλητος ηλεκτρικός και ηλεκτρονικός εξοπλισμός, οι συσσωρευτές και οι μπαταρίες μπορεί να έχουν αρνητική επίδραση στο περιβάλλον και την ανθρώπινη υγεία. Μην απορρίπτετε τις ηλεκτρικές και ηλεκτρονικές συσκευές ή μπαταρίες μαζί με τα οικιακά απορρίμματα! Σύμφωνα με την Ευρωπαϊκή Οδηγία για τον απόβλητο ηλεκτρικό και ηλεκτρονικό εξοπλισμό και για τους συσσωρευτές και μπαταρίες και τους απόβλητους συσσωρευτές και μπαταρίες, καθώς και την προσαρμογή τους στην εθνική νομοθεσία, ο απόβλητος ηλεκτρικός εξοπλισμός, οι μπαταρίες και οι συσσωρευτές θα πρέπει να αποθηκεύονται ξεχωριστά και να παραδίδονται σε ξεχωριστό σημείο συλλογής για δημοτικά απόβλητα, το οποίο λειτουργεί σύμφωνα με τους κανονισμούς για την προστασία του περιβάλλοντος. Αυτό υποδεικνύεται από το σύμβολο του διαγραμμένου τροχοφόρου κάδου που βρίσκεται αναριημένο επάνω στον εξοπλισμό.

Προοριζόμενη χρήση

Η συσκευή προορίζεται για τη συλλογή υγρής και ξηρής σκόνης. Η συσκευή είναι κατάλληλη για εμπορική χρήση, για παράδειγμα, σε ξενοδοχεία, σχολεία, νοσοκομεία, εργοστάσια, καταστήματα, γραφεία και επιχειρήσεις ενοικίασης.

Θορύβος

Το τυπικό Α επίπεδο καταμετρημένου θορύβου καθορίζεται σύμφωνα με το EN60335-2-69:

Στάθμη ηχητικής πίεσης (L_{pA}): 70 dB (A) ή λιγότερο
Αβεβαιότητα (K): 2,5 dB (A)

Η ένταση θορύβου υπό συνθήκες εργασίας μπορεί να υπερβεί τα 80 dB (A).

ΠΑΡΑΤΗΡΗΣΗ: Η δηλωμένη τιμή(ές) εκπομπής θορύβου έχει μετρηθεί σύμφωνα με την πρότυπη μέθοδο δοκιμής και μπορεί να χρησιμοποιηθεί για τη σύγκριση ενός εργαλείου με κάποιο άλλο.

ΠΑΡΑΤΗΡΗΣΗ: Η δηλωμένη τιμή(ές) εκπομπής θορύβου μπορεί να χρησιμοποιηθεί και στην προκαταρκτική αξιολόγηση της έκθεσης.

▲ΠΡΟΕΙΔΟΠΟΙΗΣΗ: Να φοράτε υποασπίδες.

▲ΠΡΟΕΙΔΟΠΟΙΗΣΗ: Η εκπομπή θορύβου κατά τη χρήση του ηλεκτρικού εργαλείου σε πραγματικές συνθήκες μπορεί να διαφέρει από τη δηλωμένη τιμή(ές) ανάλογα με τους τρόπους χρήσης του εργαλείου, ιδιαίτερα το είδος του τεμαχίου εργασίας που υπόκειται επεξεργασία.

▲ΠΡΟΕΙΔΟΠΟΙΗΣΗ: Φροντίστε να λάβετε τα κατάλληλα μέτρα προστασίας του χειριστή βάσει ενός υπολογισμού της έκθεσης σε πραγματικές συνθήκες χρήσης (λαμβάνοντας υπόψη όλες τις συνιστώσες του κύκλου λειτουργίας όπως τους χρόνους που το εργαλείο είναι εκτός λειτουργίας και όταν βρίσκεται σε αδρανή λειτουργία πέραν του χρόνου ενεργοποίησης).

Κραδασμός

Η ολική τιμή δόνησης (άθροισμα τρι-αξονικού διανύσματος) καθορίζεται σύμφωνα με το EN60335-2-69:

Εκπομπή δόνησης ($a_{h,m}$): 2,5 m/s^2 ή λιγότερο
Αβεβαιότητα (K): 1,5 m/s^2

ΠΑΡΑΤΗΡΗΣΗ: Η δηλωμένη τιμή(ές) συνολικών κραδασμών έχει μετρηθεί σύμφωνα με την πρότυπη μέθοδο δοκιμής και μπορεί να χρησιμοποιηθεί για τη σύγκριση ενός εργαλείου με κάποιο άλλο.

ΠΑΡΑΤΗΡΗΣΗ: Η δηλωμένη τιμή(ές) συνολικών κραδασμών μπορεί να χρησιμοποιηθεί και στην προκαταρκτική αξιολόγηση της έκθεσης.

▲ΠΡΟΕΙΔΟΠΟΙΗΣΗ: Η εκπομπή κραδασμών κατά τη χρήση του ηλεκτρικού εργαλείου σε πραγματικές συνθήκες μπορεί να διαφέρει από τη δηλωμένη τιμή(ές) εκπομπής ανάλογα με τους τρόπους χρήσης του εργαλείου, ιδιαίτερα το είδος του τεμαχίου εργασίας που υπόκειται επεξεργασία.

▲ΠΡΟΕΙΔΟΠΟΙΗΣΗ: Φροντίστε να λάβετε τα κατάλληλα μέτρα προστασίας του χειριστή βάσει ενός υπολογισμού της έκθεσης σε πραγματικές συνθήκες χρήσης (λαμβάνοντας υπόψη όλες τις συνιστώσες του κύκλου λειτουργίας όπως τους χρόνους που το εργαλείο είναι εκτός λειτουργίας και όταν βρίσκεται σε αδρανή λειτουργία πέραν του χρόνου ενεργοποίησης).

Δήλωση Συμμόρφωσης

Μόνο για χώρες της Ευρώπης

Οι Δηλώσεις Συμμόρφωσης περιλαμβάνονται στο Παράρτημα Α στο παρόν εγχειρίδιο οδηγιών.

ΠΡΟΕΙΔΟΠΟΙΗΣΕΙΣ ΑΣΦΑΛΕΙΑΣ

Προειδοποιήσεις ασφάλειας για τη φορητή μηχανή αναρρόφησης

▲ ΠΡΟΕΙΔΟΠΟΙΗΣΗ: ΣΗΜΑΝΤΙΚΟ! ΔΙΑΒΑΣΤΕ ΠΡΟΣΕΚΤΙΚΑ όλες τις προειδοποιήσεις για την ασφάλεια και όλες τις οδηγίες ΠΡΙΝ ΑΠΟ ΤΗ ΧΡΗΣΗ. Η μη τήρηση των προειδοποιήσεων και οδηγιών μπορεί να καταλήξει σε ηλεκτροπληξία, πυρκαγιά ή/και σοβαρό τραυματισμό.

1. Πριν από τη χρήση, βεβαιωθείτε ότι αυτή η μηχανή θα χρησιμοποιηθεί από άτομα στα οποία έχουν δοθεί επαρκείς οδηγίες για τη χρήση αυτής της μηχανής.
2. Πριν τη χρήση, στους χειριστές θα δοθούν πληροφορίες, οδηγίες και εκπαίδευση για τη χρήση του μηχανήματος και των ουσιών με τις οποίες θα χρησιμοποιηθεί, συμπεριλαμβανομένης της ασφαλούς μεθόδου αφαίρεσης και διάθεσης του υλικού που συλλέχθηκε.
3. Αν βγει αφρός/υγρό, σβήστε αμέσως.
4. Να καθαρίζετε τακτικά τη διάταξη περιορισμού της στάθμης νερού και να την εξετάζετε για ενδείξεις ζημιάς.
5. Να βεβαιώνετε πάντα ότι τα φίλτρα έχουν τοποθετηθεί σωστά πριν από τη χρήση. Μη χρησιμοποιείτε τη σκούπα χωρίς τα φίλτρα να βρίσκονται στη θέση τους. Αντικαταστήστε αμέσως ένα φίλτρο που έχει υποστεί ζημιά. Συνιστάται να έχετε μερικά ανταλλακτικά επειδή τα φίλτρα είναι αναλώσιμα αντικείμενα.
6. **ΝΑ ΑΠΟΦΕΥΓΕΤΕ ΤΗΝ ΑΘΕΛΗΤΗ ΕΝΕΡΓΟΠΟΙΗΣΗ.** Βεβαιωθείτε ότι ο διακόπτης είναι ΚΛΕΙΣΤΟΣ όταν τοποθετείτε την(τις) μπαταρία(ες).
7. Μη επιχειρήσετε να συλλέξετε εύφλεκτα υλικά, πυροτεχνήματα, αναμμένα τσιγάρα, καυτές στάχτες, ζεστά μεταλλικά θραύσματα και αιχμηρά αντικείμενα όπως ζυραφάκια, βελόνες, σπασμένο γυαλί ή παρόμοια αντικείμενα.
8. **ΜΗ ΧΡΗΣΙΜΟΠΟΙΕΙΤΕ ΠΟΤΕ ΤΗ ΜΗΧΑΝΗ ΚΟΝΤΑ ΣΕ ΒΕΝΖΙΝΗ, ΑΕΡΙΑ, ΜΠΟΓΙΑ, ΚΟΛΛΕΣ Ή ΑΛΛΕΣ ΥΨΗΛΑ ΕΚΡΗΚΤΙΚΕΣ ΟΥΣΙΕΣ.** Ο διακόπτης παράγει σπινθήρες όταν ενεργοποιείται και απενεργοποιείται. Το ίδιο και ο μεταρροπέας μοτέρ κατά τη διάρκεια της λειτουργίας. Μπορεί να προκύψει επικίνδυνη έκρηξη.
9. Μην αναρροφάτε ποτέ τοξικά, καρκινογόνα, καύσιμα ή άλλα επικίνδυνα υλικά, όπως αμιάντο, αρσενικό, βάριο, βηρύλλιο, μόλυβδο, ενδομοκότωνα ή άλλα υλικά που αποτελούν κίνδυνο για την υγεία.
10. Να τοποθετείτε πάντα τη σκούπα σε οριζόντια επίπεδη επιφάνεια, για να αποφευχθεί η πτώση ή η μετακίνησή της κατά λάθος.
11. Μη χρησιμοποιείτε ποτέ τη μηχανή σε εξωτερικό χώρο στη βροχή.
12. Για τη Φιλανδία, αυτό το μηχάνημα δεν πρέπει να χρησιμοποιηθεί σε εξωτερικούς χώρους σε χαμηλή θερμοκρασία.
13. Μη χρησιμοποιείτε κοντά σε πηγές θερμότητας (φούρνοι, κτλ.).
14. Αν ο αέρας εξαγωγής επιστρέφει στο δωμάτιο, είναι απαραίτητο να φροντίσετε για τον επαρκή ρυθμό αλλαγής του αέρα στο δωμάτιο. Είναι απαραίτητο να ανατρέξετε στους εθνικούς κανονισμούς.
15. Μην φράσσετε τα ανοίγματα εισόδου αναρρόφησης/εξόδου/ψύξης. Αυτά τα ανοίγματα επιτρέπουν την ψύξη του μοτέρ. Θα πρέπει να αποφευχθεί προσεκτικά το φράξιμο, διαφορετικά το μοτέρ θα καεί λόγω έλλειψης αερισμού.
16. Να στέκεστε πάντα σταθερά και ισορροπημένα.
17. Μη διπλώνετε, μην τραβάτε και μην πατάτε τον εύκαμπτο σωλήνα.
18. Διακόψτε αμέσως τη λειτουργία της μηχανής αν παρατηρήσετε ανεπαρκή απόδοση ή οτιδήποτε ασυνήθιστο κατά τη λειτουργία.
19. **ΒΓΑΛΤΕ ΤΗΝ(ΤΙΣ) ΜΠΑΤΑΡΙΑ(ΕΣ).** Όταν δεν χρησιμοποιείται, πριν από το σέρβις και όταν αλλάζετε αξεσουάρ.
20. Καθαρίστε και εκτελέστε σέρβις στη μηχανή αμέσως μετά από κάθε χρήση για να διατηρείται σε άριστη λειτουργική κατάσταση.
21. **ΔΙΑΤΗΡΕΙΤΕ ΤΗ ΜΗΧΑΝΗ ΜΕ ΠΡΟΣΟΧΗ.** Να διατηρείτε τη μηχανή καθαρή για την καλύτερη και ασφαλέστερη απόδοση. Να ακολουθείτε τις οδηγίες για την αλλαγή των αξεσουάρ. Να διατηρείτε τις λαβές στεγνές, καθαρές, χωρίς λάδι και γράσο.
22. **ΝΑ ΕΛΕΓΧΕΤΕ ΤΑ ΜΕΡΗ ΜΕ ΖΗΜΙΑ.** Πριν από την περαιτέρω χρήση της μηχανής, θα πρέπει να ελέγχετε προσεκτικά τυχόν προστατευτικά εξαρτήματα ή άλλα εξάρτημα με ζημιά για να καθορίσετε αν θα λειτουργήσουν σωστά και αν θα πραγματοποιήσουν την προοριζόμενη λειτουργία τους. Ελέγξτε την ευθυγράμμιση των κινούμενων μερών, την ελεύθερη κίνηση των κινούμενων μερών, το τυχόν σπάσιμο εξαρτημάτων, τη στερέωση και οποιεσδήποτε άλλες συνθήκες που μπορεί να επηρεάσουν τη λειτουργία του εργαλείου. Ένα προστατευτικό ή άλλο εξάρτημα με ζημιά θα πρέπει να επισκευαστεί ή να αντικατασταθεί σωστά σε εξουσιοδοτημένο κέντρο σέρβις εκτός αν δηλώνεται διαφορετικά στο παρόν εγχειρίδιο οδηγιών. Οι ελαττωματικοί διακόπτες πρέπει να αντικαθίστανται σε εξουσιοδοτημένο κέντρο σέρβις. Μη χρησιμοποιείτε τη μηχανή αν ο διακόπτης δεν την ενεργοποιεί και δεν την απενεργοποιεί.
23. Για τις εργασίες σέρβις από τον χρήστη, το μηχάνημα μπορεί να αποσυρμολογηθεί, να καθαριστεί και να συντηρηθεί, όσο είναι εύλογα πρακτικό, χωρίς να προκληθεί κίνδυνος στο προσωπικό συντήρησης και σε άλλους.
24. Το μηχάνημα θα πρέπει να υπόκειται σε τεχνική επιθεώρηση από τον κατασκευαστή, ή από εντεταλμένο άτομο, τουλάχιστον ετησίως, περιλαμβάνοντας, για παράδειγμα, την επιθεώρηση των φίλτρων για ζημιά, την

αεροστεγανότητα του μηχανήματος και τη σωστή λειτουργία του μηχανισμού ελέγχου.

25. Όταν διεξαγάγετε εργασίες σέρβις ή επισκευής, όλα τα μολυσμένα στοιχεία που δεν μπορούν να καθαριστούν σε ικανοποιητικό βαθμό πρέπει να διατεθούν. Αυτά τα στοιχεία πρέπει να διατεθούν μέσα σε αδιαπέραστες σακούλες σύμφωνα με οποιονδήποτε ισχύοντα κανονισμό για τη διάθεση τέτοιων αποβλήτων.
26. **ΑΝΤΑΛΛΑΚΤΙΚΑ.** Κατά το σέρβις, να χρησιμοποιείτε μόνο γνήσια ανταλλακτικά.
27. **ΝΑ ΑΠΟΘΗΚΕΥΕΤΕ ΤΗ ΜΗΧΑΝΗ ΟΤΑΝ ΔΕΝ ΤΗ ΧΡΗΣΙΜΟΠΟΙΕΙΤΕ.** Όταν δεν χρησιμοποιείται, η μηχανή θα πρέπει να αποθηκεύεται σε εσωτερικό χώρο.
28. Τα υγρά φίλτρα και το εσωτερικό μέρος του δοχείου υγρού πρέπει να στεγνώσουν πριν την αποθήκευση.
29. Να προσέχετε τη μηχανή. Ο σκληρός χειρισμός μπορεί να προκαλέσει το σπάσιμο ακόμη και της πιο καλοκατασκευασμένης μηχανής.
30. Μην επιχειρήσετε να καθαρίσετε το εξωτερικό ή το εσωτερικό με βενζίνη, νέφτι ή καθαριστικές χημικές ουσίες. Μπορεί να προκληθούν ρωγμές και αποχρωματισμός.
31. Μην χρησιμοποιείτε τη μηχανή σε κλειστό χώρο στον οποίο απελευθερώνονται εύφλεκτοι, εκρηκτικοί ή τοξικοί ατμοί από μογιές με βάση το λάδι, νέφτι, βενζίνη, μερικές ουσίες κατά της σκουριάς, κτλ., ή σε περιοχές όπου υπάρχει εύφλεκτη ατμόσφαιρα.
32. Μην χρησιμοποιείτε αυτό το εργαλείο ή οποιοδήποτε άλλο εργαλείο υπό την επίρεια ναρκωτικών ουσιών ή αλκοόλ.
33. Ως βασικός κανόνας ασφαλείας, να χρησιμοποιείτε γυαλιά ασφαλείας ή γυαλιά με πλαϊνά προστατευτικά.
34. Να χρησιμοποιείτε μάσκα κατά της σκόνης σε συνθήκες με πολλή σκόνη.
35. Το μηχάνημα αυτό δεν προορίζεται για χρήση από άτομα, συμπεριλαμβανομένων των παιδιών, με μειωμένες σωματικές, αισθητήριες ή διανοητικές ικανότητες, ή από άτομα που δεν έχουν πείρα και γνώσεις.
36. Τα παιδιά θα πρέπει να επιτηρούνται για να εξασφαλιστεί ότι δεν παίζουν με τη μηχανή.
37. Μην χειρίζεστε ποτέ την(τις) μπαταρία(ες) και τη σκούπα με βρεγμένα χέρια.
38. Να προσέχετε ιδιαίτερα όταν καθαρίζετε σκαλοπάτια.
39. Μην χρησιμοποιείτε τη μηχανή για σκαμπό ή πάγκο εργασίας. Η μηχανή σκούπα μπορεί να πέσει και να προκαλέσει προσωπικό τραυματισμό.

Χρήση και φροντίδα μπαταριών

1. Να επαναφορτίζετε τις μπαταρίες μόνο με το φορτιστή που καθορίζεται από τον κατασκευαστή. Ένας φορτιστής που είναι κατάλληλος για μια συγκεκριμένη μπαταρία μπορεί να δημιουργήσει κίνδυνο πυρκαγιάς όταν χρησιμοποιείται με μια άλλη μπαταρία.
2. Να χρησιμοποιείτε ηλεκτρικά εργαλεία μόνο με ειδικά καθορισμένες μπαταρίες. Η χρήση κάθε

άλλης μπαταρίας μπορεί να δημιουργήσει κίνδυνο τραυματισμού ή πυρκαγιάς.

3. Όταν δεν χρησιμοποιείται η κασέτα μπαταριών, διατηρήστε τη μακριά από άλλα μεταλλικά αντικείμενα, όπως συνδετήρες, κέρματα, κλειδιά, καρφιά, βίδες ή άλλα μικρά μεταλλικά αντικείμενα, με τα οποία μπορεί να δημιουργηθεί σύνδεση από τον έναν ακροδεκτών στον άλλον. Το βραχυκύκλωμα των ακροδεκτών της μπαταρίας μπορεί να προκαλέσει εγκαύματα ή πυρκαγιά.
4. Υπό συνθήκες κατάχρησης, μπορεί να εξαχθεί υγρό από την μπαταρία. Να αποφεύγετε την επαφή. Εάν συμβεί επαφή κατά λάθος, εκπλύνετε με νερό. Εάν το υγρό έρθει σε επαφή με τα μάτια, αναζητήστε και ιατρική βοήθεια. Το υγρό που εξάγεται από την μπαταρία μπορεί να προκαλέσει ερεθισμό ή εγκαύματα.
5. Μην χρησιμοποιείτε μια κασέτα μπαταριών ή εργαλείο που έχει καταστραφεί ή τροποποιηθεί. Οι καεστραμμένες ή τροποποιημένες μπαταρίες μπορεί να παρουσιάζουν απρόβλεπτη συμπεριφορά που έχει ως αποτέλεσμα πυρκαγιά, έκρηξη ή κίνδυνο τραυματισμού.
6. Μην εκθέτετε την κασέτα μπαταριών ή το εργαλείο σε πυρκαγιά ή υπερβολικά υψηλή θερμοκρασία. Η έκθεση στην πυρκαγιά ή στη θερμοκρασία άνω των 130 °C μπορεί να προκαλέσει έκρηξη.
7. Ακολουθήστε όλες τις οδηγίες φόρτισης και μην φορτίσετε την κασέτα μπαταριών ή το εργαλείο εκτός του θερμοκρασιακού εύρους που καθορίζεται στις οδηγίες. Η λανθασμένη φόρτιση ή η φόρτιση σε θερμοκρασίες εκτός του καθορισμένου εύρους μπορεί να προκαλέσει ζημιά στην μπαταρία και να αυξήσει τον κίνδυνο πυρκαγιάς.

ΦΥΛΑΞΤΕ ΤΙΣ ΟΔΗΓΙΕΣ ΑΥΤΕΣ.

▲ΠΡΟΕΙΔΟΠΟΙΗΣΗ: ΜΗΝ επιτρέψετε το βαθμό άνεσης ή εξοικείωσης με το προϊόν (λόγω επανειλημμένης χρήσης) να αντικαταστήσει την αυστηρή τήρηση των κανόνων ασφαλείας του παρόντος εργαλείου. Η **ΛΑΝΘΑΣΜΕΝΗ ΧΡΗΣΗ** ή η αμέλεια να ακολουθήσετε τους κανόνες ασφαλείας που διατυπώνονται στο παρόν χειρίδιο οδηγιών μπορεί να προκαλέσει σοβαρό προσωπικό τραυματισμό.

Σημαντικές οδηγίες ασφαλείας για κασέτα μπαταριών

1. Πριν χρησιμοποιήσετε την κασέτα μπαταριών, διαβάστε όλες τις οδηγίες και σημειώσεις προφύλαξης (1) στον φορτιστή μπαταριών, (2) στην μπαταρία και (3) στο προϊόν που χρησιμοποιεί την μπαταρία.
2. Μην αποσυναρμολογήσετε ή παραβιάσετε την κασέτα μπαταριών. Μπορεί να έχει ως αποτέλεσμα πυρκαγιά, υπερθέρμανση ή έκρηξη.
3. Εάν ο χρόνος λειτουργίας έχει γίνει υπερβολικά βραχύς, σταματήστε τη λειτουργία αμέσως. Αλλιώς, μπορεί να έχει ως αποτέλεσμα κίνδυνο υπερθέρμανσης, πιθανά εγκαύματα ή ακόμη και έκρηξη.

4. Εάν ηλεκτρολύτης μπει στα μάτια σας, ξεπλύνετέ τα με καθαρό νερό και ζητήστε ιατρική φροντίδα αμέσως. Αλλιώς, μπορεί να έχει ως αποτέλεσμα απώλεια της όρασης σας.
5. Μη βραχυκυκλώνετε την κασέτα μπαταριών:
 - (1) Μη αγγίζετε τους πόλους με οτιδήποτε αγώγιμο υλικό.
 - (2) Αποφεύγετε να αποθηκεύετε την κασέτα μπαταριών μέσα σε ένα δοχείο μαζί με άλλα μεταλλικά αντικείμενα όπως καρφιά, νομίσματα, κλπ.
 - (3) Μη εκθέτετε την κασέτα μπαταριών στο νερό ή στη βροχή.

Ένα βραχυκύκλωμα μπαταρίας μπορεί να προκαλέσει μεγάλη ροή ρεύματος, υπερθέρμανση, πιθανά εγκαύματα ακόμη και σοβαρή βλάβη.

6. Μη αποθηκεύετε και μην χρησιμοποιείτε το εργαλείο και την κασέτα μπαταριών σε τοποθεσίες όπου η θερμοκρασία μπορεί να φτάσει ή να ξεπεράσει τους 50 °C.
7. Μη καίτε την κασέτα μπαταριών ακόμη και εάν έχει σοβαρή ζημιά ή είναι εντελώς φθαρμένη. Η κασέτα μπαταριών μπορεί να εκραγεί στη φωτιά.
8. Μη κοφώσετε, κόψετε, συνθλίψετε, πετάξετε ή ρίξετε κάτω την κασέτα μπαταριών, ούτε να χτυπήσετε ένα σκληρό αντικείμενο επάνω στην κασέτα μπαταριών. Τέτοια συμπεριφορά μπορεί να έχει ως αποτέλεσμα πυρκαγιά, υπερθέρμανση ή έκρηξη.
9. Μη χρησιμοποιείτε μπαταρία που έχει υποστεί ζημία.
10. Οι μπαταρίες ιόντων λιθίου που περιέχονται υπόκεινται στις απαιτήσεις της νομοθεσίας για επικίνδυνα αγαθά.

Για εμπορικές μεταφορές, για παράδειγμα από τρίτα μέρη, πρέπει να τηρούνται οι διαμεταφορικές, οι ειδικές απαιτήσεις στη συσκευασία και η επισήμανση.

Για προετοιμασία του στοιχείου που αποστέλλεται, είναι απαραίτητο να συμβουλευτείτε έναν ειδικό για επικίνδυνα υλικά. Επίσης, τηρήστε τους πιθανούς, πιο αναλυτικούς εθνικούς κανονισμούς. Καλύψτε με αυτοκόλλητη ταινία ή κρύψτε τις ανοικτές επαφές και συσκευάστε την μπαταρία με τρόπο που να μην μπορεί να μετακινείται μέσα στη συσκευασία.

11. Όταν απορρίπτετε την κασέτα μπαταριών, αφαιρέστε την από το εργαλείο και διαθέστε την σε ένα ασφαλές μέρος. Τηρήστε τους τοπικούς κανονισμούς που σχετίζονται με τη διάθεση της μπαταρίας.
12. Χρησιμοποιήστε τις μπαταρίες μόνο με τα προϊόντα που καθορίζει η Makita. Αν τοποθετήσετε τις μπαταρίες σε μη συμβατά προϊόντα μπορεί να έχει ως αποτέλεσμα πυρκαγιά, υπερβολική θερμότητα, έκρηξη ή διαρροή ηλεκτρολύτη.
13. Αν δεν χρησιμοποιείτε το εργαλείο για μεγάλο χρονικό διάστημα, πρέπει να βγάλετε την μπαταρία από το εργαλείο.
14. Κατά τη διάρκεια και μετά τη χρήση, η κασέτα μπαταριών μπορεί να θερμανθεί, γεγονός που μπορεί να προκαλέσει εγκαύματα ή εγκαύματα από χαμηλή θερμοκρασία. Προσέχετε το

χειρισμό των ζεστών κασετών μπαταριών.

15. Μην αγγίζετε τον ακροδέκτη του εργαλείου αμέσως μετά τη χρήση επειδή μπορεί να έχει ζεσταθεί αρκετά για να προκαλέσει εγκαύματα.
16. Μην αφήνετε θραύσματα, σκόνη ή βρομιά να κολλήσει στους ακροδέκτες, τις σπές και τις εγκοπές της κασέτας μπαταριών. Μπορεί να προκαλέσει θέρμανση, φωτιά, έκρηξη και δυσλειτουργία του εργαλείου ή της κασέτας μπαταριών, έχοντας ως αποτέλεσμα εγκαύματα ή προσωπικό τραυματισμό.
17. Εκτός αν το εργαλείο υποστηρίζει τη χρήση κοντά σε ηλεκτρικές γραμμές υψηλής τάσης, μην χρησιμοποιείτε την κασέτα μπαταριών κοντά σε ηλεκτρικές γραμμές υψηλής τάσης. Μπορεί να έχει ως αποτέλεσμα δυσλειτουργία ή στάσιμο του εργαλείου ή της κασέτας μπαταριών.
18. ΚρΦυλάξτε την μπαταρία μακριά από παιδιά.

ΦΥΛΑΞΤΕ ΤΙΣ ΟΔΗΓΙΕΣ ΑΥΤΕΣ.

▲ΠΡΟΣΟΧΗ: Να χρησιμοποιείτε μόνο γνήσιες μπαταρίες της Makita. Η χρήση μη γνήσιων μπαταριών Makita, ή μπαταριών που έχουν τροποποιηθεί, μπορεί να έχει ως αποτέλεσμα τη ρήξη της μπαταρίας, προκαλώντας πυρκαγιά, προσωπικό τραυματισμό και βλάβη. Επίσης, θα ακρωρωθεί η εγγύηση της Makita για το εργαλείο και φορτιστή Makita.

Συμβουλές για τη διατήρηση της μέγιστης ζωής μπαταρίας

1. Φορτίζετε την κασέτα μπαταριών πριν από την πλήρη αποφόρτισή της. Πάντοτε να σταματάτε τη λειτουργία του εργαλείου και να φορτίζετε την κασέτα μπαταριών όταν παρατηρείτε μειωμένη ισχύ εργαλείου.
2. Ποτέ μην επαναφορτίζετε μια πλήρως φορτισμένη κασέτα μπαταριών. Η υπερφόρτιση μώνει την ωφέλιμη ζωή της μπαταρίας.
3. Να φορτίζετε την κασέτα μπαταριών σε θερμοκρασία δωματίου, δηλαδή στους 10 °C έως 40 °C. Αφήστε μια θερμή κασέτα μπαταριών να κρυώσει πριν την φορτίσετε.
4. Όταν δεν χρησιμοποιείτε την κασέτα μπαταριών, αφαιρέστε την από το εργαλείο ή τον φορτιστή.
5. Να φορτίζετε την κασέτα μπαταριών εάν δεν τη χρησιμοποιείτε για μεγάλη χρονική περίοδο (περισσότερο από έξι μήνες).

Σημαντικές οδηγίες ασφάλειας για την ασύρματη μονάδα

1. Μην ανοίγετε ποτέ το καπάκι της σχισμής μόνι σας αφού έχετε τοποθετήσει την ασύρματη μονάδα.
2. Μην αποσυναρμολογείτε ή παραβιάζετε την ασύρματη μονάδα.
3. Διατηρείτε την ασύρματη μονάδα μακριά από μικρά παιδιά. Αν καταποθεί κατά λάθος, αναζητήστε αμέσως ιατρική βοήθεια.
4. Να χρησιμοποιείτε την ασύρματη μονάδα μόνο με εργαλεία της Makita.
5. Μην εκθέτετε την ασύρματη μονάδα στη βροχή

- ή σε υγρές συνθήκες.
6. Μην χρησιμοποιείτε την ασύρματη μονάδα σε μέρη όπου η θερμοκρασία ξεπερνάει τους 50 °C.
 7. Μην θέτετε την ασύρματη μονάδα σε λειτουργία σε μέρη όπου υπάρχουν ιατρικά όργανα, όπως καρδιακοί βηματοδότες.
 8. Μην θέτετε την ασύρματη μονάδα σε λειτουργία σε μέρη όπου υπάρχουν αυτοματοποιημένες διατάξεις. Αν τεθούν σε λειτουργία, οι αυτοματοποιημένες συσκευές μπορεί να εμφανίσουν δυσλειτουργία ή σφάλμα.
 9. Μην θέσετε σε λειτουργία την ασύρματη μονάδα σε μέρη με υψηλή θερμοκρασία ή σε μέρη όπου μπορεί να παραχθεί στατικός ηλεκτρισμός ή ηλεκτρικός θόρυβος.
 10. Η ασύρματη μονάδα μπορεί να παράγει ηλεκτρομαγνητικά πεδία (ΗΜΠ) αλλά δεν είναι επιβλαβή για τον χρήστη.
 11. Η ασύρματη μονάδα είναι ένα όργανο ακριβείας. Προσέχετε να μη ρίξετε κάτω ή να χτυπήσετε την ασύρματη μονάδα.
 12. Αποφύγετε να αγγίζετε τον ακροδέκτη της ασύρματης μονάδας με γυμνά χέρια ή μεταλλικά υλικά.
 13. Αφαιρείτε πάντοτε την μπαταρία από το προϊόν όταν τοποθετείτε σε αυτό την ασύρματη μονάδα.
 14. Όταν ανοίγετε το καπάκι της σχισμής, αποφύγετε μέρη όπου μπορεί να εισέλθει σκόνη και νερό μέσα στη σχισμή. Να διατηρείτε πάντα καθαρή την είσοδο της σχισμής.
 15. Να φορτώνετε πάντα την ασύρματη μονάδα με τη σωστή κατεύθυνση.
 16. Μην πατήσετε το κουμπί ασύρματης ενεργοποίησης στην ασύρματη μονάδα πολύ δυνατά ή/και μην πατήσετε το κουμπί με ένα αντικείμενο με αιχμηρό άκρο.
 17. Κατά τη λειτουργία, να κλείνετε πάντα το καπάκι της σχισμής.
 18. Μην αφαιρείτε την ασύρματη μονάδα από τη σχισμή ενώ παρέχεται ισχύς στο εργαλείο. Αν το κάνετε αυτό, μπορεί να προκληθεί δυσλειτουργία της ασύρματης μονάδας.
 19. Μην αφαιρείτε το αυτοκόλλητο στην ασύρματη μονάδα.
 20. Μην τοποθετείτε αυτοκόλλητα επάνω στην ασύρματη μονάδα.
 21. Μην αφήνετε την ασύρματη μονάδα σε ένα μέρος όπου μπορεί να παραχθεί στατικός ηλεκτρισμός ή ηλεκτρικός θόρυβος.
 22. Μην αφήνετε την ασύρματη μονάδα σε ένα μέρος που υπόκειται σε υψηλή θερμότητα, όπως ένα αυτοκίνητο στον ήλιο.
 23. Μην αφήνετε την ασύρματη μονάδα σε ένα μέρος με πολλή σκόνη ή πούδρα ή σε ένα μέρος όπου μπορεί να παραχθεί διαβρωτικό αέριο.
 24. Η απότομη αλλαγή της θερμοκρασίας μπορεί να υγραίνει την ασύρματη μονάδα. Μην χρησιμοποιείτε την ασύρματη μονάδα μέχρι να στεγνώσει εντελώς όλη η υγρασία.
 25. Όταν καθαρίζετε την ασύρματη μονάδα, σκουπίστε απαλά με ένα στεγνό μαλακό πανί. Μην

χρησιμοποιείτε βενζίνη, νέφτι, αγώγιμο γράσο ή παρόμοιες ουσίες.

26. Όταν αποθηκεύετε την ασύρματη μονάδα, να τη διατηρείτε μέσα στην παρεχόμενη θήκη ή μέσα σε δοχείο χωρίς στατικό ηλεκτρισμό.
27. Μην εισαγάγετε καμία συσκευή διαφορετική από την ασύρματη μονάδα Makita μέσα στη σχισμή στο εργαλείο.
28. Μην χρησιμοποιείτε το εργαλείο αν το καπάκι της σχισμής είναι κατεστραμμένο. Αν εισέλθει νερό, σκόνη και βρομιά μέσα στη σχισμή, μπορεί να προκληθεί δυσλειτουργία.
29. Μην τραβάτε ή/και μη συστρέψετε το καπάκι της σχισμής περισσότερο από ότι απαιτείται. Τοποθετήστε ξανά το καπάκι αν βγει από το εργαλείο.
30. Αντικαταστήστε ξανά το καπάκι της σχισμής αν χαθεί ή καταστραφεί.

ΦΥΛΑΞΕΤΕ ΑΥΤΕΣ ΤΙΣ ΟΔΗΓΙΕΣ.

ΠΕΡΙΓΡΑΦΗ ΛΕΙΤΟΥΡΓΙΑΣ

▲ΠΡΟΣΟΧΗ: Να φροντίζετε πάντα για την απενεργοποίηση της συσκευής και την αφαίρεση των κασετών μπαταριών, πριν από οποιαδήποτε ρύθμιση ή έλεγχο της λειτουργίας της συσκευής.

Τοποθέτηση ή αφαίρεση της κασέτας μπαταριών

▲ΠΡΟΣΟΧΗ: Να σβήνετε πάντα το εργαλείο πριν τοποθετήσετε ή αφαιρέσετε την κασέτα μπαταριών.

▲ΠΡΟΣΟΧΗ: Κρατήστε τη σκούπα και την κασέτα μπαταριών σταθερά κατά την τοποθέτηση ή αφαίρεση της κασέτας μπαταριών. Εάν δεν κρατάτε τη σκούπα και την κασέτα μπαταριών σταθερά μπορεί να γλιστρήσουν από τα χέρια σας και να προκληθεί βλάβη στη σκούπα και την κασέτα μπαταριών και προσωπικός τραυματισμός.

▲ΠΡΟΣΟΧΗ: Προσέχετε να μην πιάσετε τα δάχτυλά σας όταν ανοίγετε ή κλείνετε το κάλυμμα μπαταριών. Αν δεν το κάνετε αυτό, μπορεί να προκληθεί ατομικός τραυματισμός.

Για να τοποθετήσετε την κασέτα μπαταριών, απελευθερώστε πρώτα το κλειδώμα και μετά ανοίξτε το κάλυμμα μπαταριών. Μετά, τοποθετήστε την κασέτα μπαταριών.
► **Εικ.1:** 1. Κλειδώμα 2. Κάλυμμα μπαταριών

Ευθυγραμμίστε τη γλωττίδα στην κασέτα μπαταριών με την εγκοπή στο περίβλημα και σύρετέ τη στη θέση της. Να την τοποθετείτε πλήρως μέχρι να ασφαλίσει στη θέση της, γεγονός που υποδεικνύεται με ένα χαρακτηριστικό ήχο. Μετά, κλειδώστε το κάλυμμα μπαταριών.
► **Εικ.2:** 1. Κασέτα μπαταριών 2. Κουμπί

Για να αφαιρέσετε την κασέτα μπαταριών, σύρετέ την από το εργαλείο ενώ σύρετε το κουμπί μπροστά από την κασέτα.

ΠΡΟΣΟΧΗ: Να τοποθετείτε πάντα πλήρως την κασέτα μπαταριών. Εάν δεν ασφαλιστεί, μπορεί να πέσει από τη σκούπα τυχαία, προκαλώντας σωματική βλάβη σε εσάς ή κάποιον άλλο γύρω σας.

ΠΡΟΣΟΧΗ: Μην τοποθετείτε την κασέτα μπαταριών με βία. Εάν η κασέτα δεν ολισθαίνει με ευκολία, τότε δεν έχει τοποθετηθεί κατάλληλα.

ΠΑΡΑΤΗΡΗΣΗ: Η σκούπα δεν λειτουργεί με μόνο μία κασέτα μπαταριών.

Εμφάνιση υπολειπόμενης χωρητικότητας μπαταρίας

Πιέστε το κουμπί ελέγχου στην κασέτα μπαταριών για να υποδείξετε την υπολειπόμενη χωρητικότητα μπαταρίας. Οι ενδεικτικές λυχνίες ανάβουν για λίγα δευτερόλεπτα.

► **Εικ.3:** 1. Ενδεικτικές λυχνίες 2. Κουμπί ελέγχου

Ενδεικτικές λυχνίες			Υπολειπόμενη χωρητικότητα
Αναμμένες	Σβηστές	Αναβοσβήνουν	
■ ■ ■ ■	□	◐	75% έως 100%
■ ■ ■	□	□	50% έως 75%
■ ■	□ □	□ □	25% έως 50%
■	□ □ □ □	□ □ □ □	0% έως 25%
◐	□ □ □ □	□ □ □ □	Φορτίστε την μπαταρία.
■ ■ □ □	□ □	■ ■	Μπορεί να προκύψει δυσλειτουργία στην μπαταρία.

ΠΑΡΑΤΗΡΗΣΗ: Ανάλογα με τις συνθήκες χρήσης και τη θερμοκρασία περιβάλλοντος, η ένδειξη μπορεί να διαφέρει λίγο από την πραγματική χωρητικότητα.

ΠΑΡΑΤΗΡΗΣΗ: Η πρώτη (τέρμα αριστερά) ενδεικτική λυχνία θα αναβοσβήνει όταν λειτουργεί το σύστημα προστασίας μπαταρίας.

Ενδείξεις μπαταριών στον πίνακα ελέγχου

Μπορείτε να διαβάσετε την υπολειπόμενη χωρητικότητα μπαταρίας στον πίνακα ελέγχου ανά πάσα στιγμή. Πατήστε το κουμπί ελέγχου για να εμφανίσει η αριστερή και δεξιά ένδειξη το επίπεδο φόρτισης μπαταριών αντίστοιχα.

► **Εικ.4:** 1. Ένδειξη αριστερής μπαταρίας 2. Ένδειξη δεξιάς μπαταρίας 3. Κουμπί ελέγχου

► **Εικ.5**

Κατάσταση ένδειξης μπαταρίας			Υπολειπόμενη χωρητικότητα μπαταρίας
Αναμμένες	Σβηστές	Αναβοσβήνουν	
			50% έως 100%
			20% έως 50%
			0% έως 20%
			Φορτίστε την μπαταρία
			Δεν έχει εισαχθεί μπαταρία

ΠΑΡΑΤΗΡΗΣΗ: Η ένδειξη μπαταριών λειτουργεί ενώ είναι τοποθετημένες δύο μπαταρίες.

ΠΑΡΑΤΗΡΗΣΗ: Οι ενδείξεις μπαταριών θα ενεργοποιηθούν και όταν η σκούπα αρχίσει να λειτουργεί.

Σύστημα προστασίας της συσκευής / μπαταρίας

Η συσκευή είναι εξοπλισμένη με σύστημα προστασίας της συσκευής/μπαταρίας. Αυτό το σύστημα αποκτάει αυτόματα την ισχύ προς το μοτέρ για να παραταθεί η διάρκεια λειτουργίας της συσκευής και της μπαταρίας. Η συσκευή σταματάει αυτόματα κατά τη διάρκεια της λειτουργίας αν η συσκευή ή η μπαταρία βρεθούν κάτω από τις παρακάτω συνθήκες:

Προστασία υπερφόρτωσης

Όταν η συσκευή/μπαταρία λειτουργεί με τρόπο ώστε να αναγκάζεται να καταναλώνει ασυνήθιστα υψηλό ρεύμα, η συσκευή σταματάει αυτόματα. Σε αυτή την κατάσταση, απενεργοποιήστε τη συσκευή και διακόψτε την εφαρμογή που προκαλεί την υπερφόρτωση. Μετά, ενεργοποιήστε τη συσκευή για επανεκκίνηση.

Προστασία υπερθέρμανσης

■ Αναμμένη	■ Αναβοσβήνει

Όταν η συσκευή υπερθερμανθεί, η συσκευή σταματάει αυτόματα και η αριστερή και δεξιά ένδειξη μπαταριών αναβοσβήνουν. Σε αυτή την κατάσταση, αφήστε τη συσκευή να ψυχθεί και καθαρίστε τα φίλτρα πριν ενεργοποιήσετε ξανά τη συσκευή.

■ Αναμμένη	■ Αναβοσβήνει

Όταν η μπαταρία υπερθερμανθεί, η συσκευή σταματάει αυτόματα και η μία ένδειξη για την υπερθερμασμένη μπαταρία αναβοσβήνει. Σε αυτή την κατάσταση, αφήστε την μπαταρία να ψυχθεί πριν ενεργοποιήσετε ξανά τη συσκευή.

Προστασία υπερβολικής αποφόρτισης

Όταν μειωθεί πολύ η χωρητικότητα μπαταρίας, η συσκευή σταματάει αυτόματα. Αν η συσκευή δεν λειτουργεί σε συμφωνία με τη λειτουργία του διακόπτη, αφαιρέστε τις μπαταρίες από τη συσκευή και επαναφορτίστε τις.

Προστασία και από άλλες αιτίες

Το σύστημα προστασίας έχει επίσης σχεδιαστεί για άλλες αιτίες που μπορούν να προκαλέσουν ζημιά στη συσκευή και επιτρέπει την αυτόματη διακοπή της συσκευής. Λάβετε όλα τα ακόλουθα βήματα για να διορθώσετε τις αιτίες, όταν η συσκευή θεθεί σε προσωρινή διακοπή ή διακοπή κατά τη διάρκεια της λειτουργίας.

1. Απενεργοποιήστε τη συσκευή και, στη συνέχεια, ενεργοποιήστε την ξανά για να επανεκκινήση.
2. Φορτίστε την μπαταρία ή τις μπαταρίες ή αντικαταστήστε τις με επαναφορτιζόμενες μπαταρίες.
3. Αφήστε τη συσκευή και τις μπαταρίες να ψυχθούν.

Αν δεν υπάρχει βελτίωση με την επαναφορά του συστήματος προστασίας, επικοινωνήστε με το τοπικό σας κέντρο εξυπηρέτησης της Makita.

Δράση διακόπτη

Ενεργοποίηση σκούπας

1. Θέστε τον διακόπτη αναμονής στη θέση «I» (ON) ή «AUTO» (ON) για να έχετε τη σκούπα έτοιμη σε τρόπο λειτουργίας αναμονής.
2. Πατήστε το κουμπί λειτουργίας. Για μετάβαση ξανά σε κατάσταση αναμονής, πατήστε ξανά το κουμπί λειτουργίας.

Απενεργοποίηση σκούπας

Εκτελέστε ένα από τα ακόλουθα βήματα.

- Πατήστε το κουμπί λειτουργίας για να θέσετε ξανά τη σκούπα σε τρόπο λειτουργίας αναμονής.
- Θέστε τον διακόπτη αναμονής στη θέση «O» (OFF).

Ρύθμιση ισχύος αναρρόφησης

Η ισχύς αναρρόφησης μπορεί να ρυθμιστεί ανάλογα με την απαιτούμενη εργασία.

- Περιστρέψτε το κουμπί ρύθμισης δύναμης αναρρόφησης προς τα αριστερά για να μειώσετε την ισχύ αναρρόφησης.
- Περιστρέψτε το κουμπί ρύθμισης δύναμης αναρρόφησης προς τα δεξιά για να αυξήσετε την ισχύ αναρρόφησης.

► **Εικ.6:** 1. Διακόπτης αναμονής 2. Κουμπί ρύθμισης δύναμης αναρρόφησης 3. Κουμπί λειτουργίας

ΕΙΔΟΠΟΙΗΣΗ: Να θέτετε πάντα το διακόπτη αναμονής στην πλευρά «O» όταν δεν πρόκειται να χρησιμοποιήσετε τη σκούπα για μεγάλο χρονικό διάστημα. Η σκούπα καταναλώνει ισχύ σε κατάσταση αναμονής.

Αυτόματη διακοπή αναρρόφησης κατά τη λειτουργία υγρής αναρρόφησης

▲ΠΡΟΕΙΔΟΠΟΙΗΣΗ: Μην συλλέγετε αφρό ή σαπουνώδες υγρό. Μπορεί να εξέλθει αφρός από την έξοδο αέρα. Η συνεχής χρήση σε τέτοιες συνθήκες μπορεί να προκαλέσει ηλεκτροπληξία και καταστροφή της σκούπας.

Η σκούπα διαθέτει ένα μηχανισμό που εμποδίζει την είσοδο του νερού στο μοτέρ κατά τη συλλογή μιας ορισμένης ποσότητας νερού και άνυδ.

Όταν η δεξαμενή είναι γεμάτη υγρό, η σκούπα σταματάει αυτόματα. Απενεργοποιήστε τη σκούπα και αδειάστε τη δεξαμενή.

Σύστημα καθαρισμού φίλτρων

Η συσκευή αυτή διαθέτει σύστημα καθαρισμού φίλτρων. Κατά τη διάρκεια χρήσης της συσκευής, το σύστημα καθαρισμού φίλτρων ξεσκονίζει αυτόματα τα φίλτρα για να αποτραπεί η μείωση της αναρροφητικής ισχύος λόγω φραξίματος των φίλτρων.

Εάν η συσκευή αναρροφήσει μια μεγάλη ποσότητα σκόνης με τη μία, η αναρροφητική ισχύς μπορεί να μειωθεί. Σε αυτή την περίπτωση, συνιστάται χειροκίνητος καθαρισμός των φίλτρων.

1. Απενεργοποιήστε τη συσκευή.
2. Ρυθμίστε την ισχύ αναρρόφησης στο μέγιστο και, στη συνέχεια, κλείστε το άνοιγμα του εύκαμπτου σωλήνα αναρρόφησης με την παλάμη σας.
3. Ενεργοποιήστε τη συσκευή και θέστε τη σε λειτουργία για περίπου 15 δευτερόλεπτα με το άνοιγμα του εύκαμπτου σωλήνα αναρρόφησης κλειστό.
► **Εικ.7:** 1. Άνοιγμα του εύκαμπτου σωλήνα αναρρόφησης

ΠΑΡΑΤΗΡΗΣΗ: Ο όγκος αέρα μπορεί να αλλάξει ενώ το σύστημα καθαρισμού φίλτρων είναι ενεργοποιημένο αλλά αυτό δεν αποτελεί δυσλειτουργία.

Αποστράγγιση νερού

Όταν η δεξαμενή είναι γεμάτη υγρό, απενεργοποιήστε τη σκούπα και ανοίξτε την τάπα αποστράγγισης νερού για να αδειάσετε τη δεξαμενή.

► **Εικ.8:** 1. Τάπα αποστράγγισης νερού

Ασφάλιση και απασφάλιση τροχίσκων

Οι μπροστινοί τροχίσκοι μπορούν να ασφαλιστούν με αναστολές για να μπορεί η σκούπα να παραμείνει ακίνητη.

Χαμηλώστε τον μοχλό αναστολέα με το χέρι για να ασφαλίσετε τον τροχίσκο και σηκώστε τον για απελευθέρωση.

► **Εικ.9:** 1. Τροχίσκος 2. Μοχλός αναστολέα 3. ΕΛΕΥΘΕΡΗ θέση 4. ΚΛΕΙΔΩΜΕΝΗ θέση

ΠΑΡΑΤΗΡΗΣΗ: Όταν μετακινείτε τη σκούπα, βεβαιωθείτε ότι ο τροχίσκος είναι ξεκλειδωτός. Αν μετακινήσετε τη σκούπα με τον τροχίσκο σε κλειδωμένη θέση, μπορεί να προκληθεί ζημιά στον τροχίσκο.

Λαβή μεταφοράς

ΠΡΟΣΟΧΗ: Σηκώστε και μεταφέρετε τη συσκευή με προσοχή. Αν δεν το κάνετε αυτό, μπορεί να έχει ως αποτέλεσμα προσωπικό τραυματισμό ή ζημιά στη συσκευή.

Όταν μεταφέρετε τη σκούπα, να την κρατάτε από τη λαβή στη μονάδα κεφαλής. Η λαβή είναι ανασυρόμενη στη μονάδα κεφαλής όταν δεν χρησιμοποιείται.

► **Εικ.10**

Εάν είναι δύσκολο να μεταφέρετε τη συσκευή μόνος, η μεταφορά της πρέπει να γίνεται από δύο άτομα όπως απεικονίζεται στην εικόνα.

► **Εικ.11**

► **Εικ.12**

ΣΥΝΑΡΜΟΛΟΓΗΣΗ

ΠΡΟΣΟΧΗ: Να βεβαιώνετε πάντα ότι η συσκευή είναι απενεργοποιημένη και οι κασέτες μπαταριών έχουν αφαιρεθεί πριν εκτελέσετε οποιαδήποτε εργασία στη συσκευή.

ΠΡΟΣΟΧΗ: Να φοράτε πάντα μάσκα σκόνης κατά τη συναρμολόγηση ή συντήρηση.

Τοποθέτηση και απόρριψη της σακούλας φίλτρου

Προαιρετικό εξάρτημα

ΠΡΟΕΙΔΟΠΟΙΗΣΗ: Πριν χρησιμοποιήσετε σακούλα φίλτρου, βεβαιωθείτε ότι η μονάδα φίλτρου χρησιμοποιείται μαζί. Αν δεν χρησιμοποιήσετε μαζί τη μονάδα φίλτρου, μπορεί να προκληθεί ασυνήθιστος θόρυβος και θερμότητα, έχοντας ως αποτέλεσμα την πυρκαγιά.

ΕΙΔΟΠΟΙΗΣΗ: Μην συλλέγετε ποτέ νερό ή άλλα υγρά ή υγρή σκόνη όταν χρησιμοποιείτε μια σακούλα φίλτρου. Η συλλογή τέτοιων υλικών μπορεί να προκαλέσει την καταστροφή της σακούλας φίλτρου.

1. Αποδεσμεύστε τους γάντζους ασφάλισης και σηκώστε και αφαιρέστε τη μονάδα κεφαλής από τη δεξαμενή.

► **Εικ.13:** 1. Γάντζος ασφάλισης

2. Ξεδιπλώστε τη σακούλα φίλτρου.

3. Ευθυγραμμίστε το άνοιγμα της σακούλας φίλτρου με την είσοδο σκόνης της δεξαμενής.

4. Εισαγάγετε το χαρτόνι της σακούλας φίλτρου στο εργαλείο ώστε να τοποθετηθεί στο άκρο πέρα από την προεξοχή συγκράτησης.

► **Εικ.14:** 1. Σακούλα φίλτρου 2. Άνοιγμα χαρτονιού

3. Υποδοχέας σακούλας φίλτρου 4. Είσοδος σκόνης 5. Άκρο

Όταν απορρίπτετε τη σακούλα φίλτρου, τραβήξτε το άκρο στο στόμιο της σακούλας φίλτρου με τρόπο ώστε το στόμιο να κλείσει από ένα χαρτί.

Τοποθέτηση της πολυαιθυλενικής σακούλας

Απλώστε την πολυαιθυλενική σακούλα πάνω από τη δεξαμενή και σύρετε τη μία πλευρά του άνω άκρου της σακούλας στο ανοικτό άκρο της, μεταξύ της πλάκας υποδοχέα και του μπροστινού τοιχώματος της δεξαμενής.

Μετά, απλώστε τα άλλα άνω άκρα της σακούλας προς τα έξω, πάνω από το άνω χείλος της δεξαμενής.

Η πολυαιθυλενική σακούλα μπορεί να χρησιμοποιηθεί με τη σακούλα φίλτρου.

► **Εικ.15:** 1. Πλάκα υποδοχέα 2. Μπροστινό τοίχωμα της δεξαμενής 3. Πολυαιθυλενική σακούλα

ΠΑΡΑΤΗΡΗΣΗ: Μπορεί να χρησιμοποιηθεί πολυαιθυλενική σακούλα που διατίθεται στην αγορά. Συνιστάται αυτή με πάχος μεγαλύτερο από 0,04 mm και περίμετρο μεγαλύτερη από 2.000 mm.

ΠΑΡΑΤΗΡΗΣΗ: Η πολυαιθυλενική σακούλα θα σκιστεί εύκολα με υπερβολική σκόνη, έτσι μην γεμίζετε υπερβολικά τη σακούλα. Η απόρριψη της βαριάς σακούλας μπορεί να επιβαρύνει το ανθρώπινο σώμα.

Άδειασμα δεξαμενής με πολυαιθυλενική σακούλα

ΠΡΟΕΙΔΟΠΟΙΗΣΗ: Να βεβαιώνετε πάντα ότι η σκούπα είναι απενεργοποιημένη και οι κασέτες μπαταριών έχουν αφαιρεθεί πριν αδειάσετε τη δεξαμενή. Αν δεν το κάνετε αυτό, μπορεί να προκληθεί ηλεκτροπληξία και σοβαρός ατομικός τραυματισμός.

ΕΙΔΟΠΟΙΗΣΗ: Να αδειάζετε τη δεξαμενή τουλάχιστον μία φορά την ημέρα, αν και αυτό εξαρτάται από τον όγκο της σκόνης που έχετε συλλέξει στη δεξαμενή. Διαφορετικά, η ισχύς αναρρόφησης θα μειωθεί και το μοτέρ θα σπάσει.

ΕΙΔΟΠΟΙΗΣΗ: Μην αρπάζετε τους γάντζους ασφάλισης όταν αδειάζετε τη δεξαμενή. Αν αρπάξετε τους γάντζους ασφάλισης μπορεί να σπάσουν.

1. Αποδεσμεύστε τους γάντζους ασφάλισης και σηκώστε και αφαιρέστε τη μονάδα κεφαλής από τη δεξαμενή.

2. Αφαιρέστε την πολυαιθυλενική σακούλα από τη δεξαμενή, κλείνοντας το άνοιγμα της σακούλας με το χέρι.

► **Εικ.16:** 1. Πολυαιθυλενική σακούλα 2. Δεξαμενή

ΠΑΡΑΤΗΡΗΣΗ: Βγάλτε προσεκτικά την πολυαιθυλενική σακούλα από τη δεξαμενή για να μην γρατσουνιστεί και σκιστεί από τα άκρα μέσα στη δεξαμενή.

ΠΑΡΑΤΗΡΗΣΗ: Αδειάστε την πολυαιθυλενική σακούλα πριν γεμίσει. Η πολλή σκόνη στη δεξαμενή μπορεί να προκαλέσει το σκίσιμο της πολυαιθυλενικής σακούλας.

Τοποθέτηση εύκαμπτου σωλήνα

ΕΙΔΟΠΟΙΗΣΗ: Αποφύγετε την άσκηση καμπτικής ή συνθλιπτικής δύναμης στον εύκαμπο σωλήνα. Μην μετακινείτε ποτέ τη σκούπα τραβώντας τον εύκαμπο σωλήνα. Η άσκηση δύναμης, η σύνθλιψη και το τράβηγμα του εύκαμπτου σωλήνα μπορεί να προκαλέσουν σπασίμο ή παραμόρφωση του εύκαμπτου σωλήνα.

ΕΙΔΟΠΟΙΗΣΗ: Όταν συλλέγετε μεγάλα απόβλητα όπως θραύσματα πλάνης, σκόνη τσιμέντου ή παρόμοια υλικά, εκτός από απόβλητα μικρού μεγέθους, να χρησιμοποιείτε τον εύκαμπο σωλήνα με εσωτερική διάμετρο 38 mm (προαιρετικό εξάρτημα). Η χρήση εύκαμπτου σωλήνα με εσωτερική διάμετρο 28 mm (προαιρετικό εξάρτημα) μπορεί να προκαλέσει το φράξιμο και τη βλάβη του εύκαμπτου σωλήνα.

Σύνδεση με τη σκούπα

Εισαγάγετε το άκρο του εύκαμπτου σωλήνα στην είσοδο σκόνης (είσοδος εύκαμπτου σωλήνα) της σκούπας και, στη συνέχεια, περιστρέψτε το δεξιόστροφα μέχρι να ασφαλιστεί στη θέση του.

► **Εικ.17:** 1. Εύκαμπτος σωλήνας 2. Είσοδος σκόνης (είσοδος εύκαμπτου σωλήνα)

Συνδέσεις με τα εργαλεία εργασίας σας (Ειδικό της χώρας)

Αν συνδέσετε την ηλεκτρική σκούπα σε οποιαδήποτε διαθέσιμα εργαλεία εργασίας που είναι συμβατά με τη σκούπα, αυτή λειτουργεί ως εξαγωγέας σκόνης και τα ηλεκτρικά εργαλεία σας.

Επιλέξτε ένα από τα μπροστινά στόμια ή συνδέσμους (προαιρετικά εξαρτήματα) ως το πιο κατάλληλο για το μοντέλο του εργαλείου σας. Τοποθετήστε τα στόμια ή τον σύνδεσμο, όπως απαιτείται, μεταξύ του μπροστινού άκρου του εύκαμπτου σωλήνα της σκούπας και της θύρας εξαγωγής σκόνης του εργαλείου σας.

► **Εικ.18:** 1. Μπροστινά στόμια ή σύνδεσμος
2. Εύκαμπτος σωλήνας σκούπας
3. Ηλεκτρικό εργαλείο 4. Ηλεκτρική σκούπα

Τοποθέτηση ή αφαίρεση των προσαρτημάτων σκούπας

ΠΡΟΣΟΧΗ: Μετά την τοποθέτηση ενός προσαρτήματος, ελέγξτε αν έχει τοποθετηθεί σταθερά. Αν το προάρτημα δεν τοποθετηθεί καλά, μπορεί να βγει και να προκληθεί τραυματισμός.

Όταν χρησιμοποιείτε προάρτημα χωρίς λειτουργία ασφάλισης

Προαιρετικό εξάρτημα

Εισαγάγετε ένα προάρτημα στην είσοδο αναρρόφησης της σκούπας σπρώχνοντας και βιδώνοντας το με το χέρι για να τοποθετηθεί στη θέση του.

Περιστρέψτε με το χέρι και τραβήξτε το προάρτημα για να χωριστεί από την είσοδο αναρρόφησης μετά από τη χρήση.

► **Εικ.19**

Τοποθέτηση ΜΑΚΡΑC

Προαιρετικό εξάρτημα

ΠΡΟΣΟΧΗ: Μην στέκεστε και μην κάθεστε επάνω στη συσκευή. Μπορεί να πέσει λόγω αστάθειας.

ΠΡΟΣΟΧΗ: Προσέχετε με τη λειτουργία όταν τοποθετείτε το ΜΑΚΡΑC. Αν δεν το κάνετε αυτό, μπορεί να έχει ως αποτέλεσμα προσωπικό τραυματισμό ή ζημιά στη συσκευή.

ΠΡΟΣΟΧΗ: Όταν το ΜΑΚΡΑC είναι τοποθετημένο στη συσκευή, μην σηκώνετε τη συσκευή από τη λαβή του ΜΑΚΡΑC.

ΠΡΟΣΟΧΗ: Όταν μετακινείτε τη συσκευή όταν είναι τοποθετημένο το ΜΑΚΡΑC, μην σπρώχνετε το ΜΑΚΡΑC αλλά να σπρώχνετε το κύριο τμήμα της συσκευής. Εάν σπρώξετε το ΜΑΚΡΑC, μπορεί να σπάσουν τα μάνδαλα και να πέσει το ΜΑΚΡΑC, γεγονός που μπορεί να έχει ως αποτέλεσμα προσωπικό τραυματισμό.

Στο πάνω μέρος της σκούπας, μπορείτε να τοποθετήσετε θήκες αποθήκευσης ΜΑΚΡΑC με δυνατότητα σύνδεσης και στοίβαξης. Οι θήκες είναι διαθέσιμες σε πολλά μεγέθη και στυλ, για να ταιριάζουν με τις προτιμήσεις σας.

1. Ξεδιπλώστε τα μάνδαλα στην άνω επιφάνεια της σκούπας.

► **Εικ.20:** 1. Μάνδαλο

2. Στερεώστε τις θήκες ΜΑΚΡΑC στο πάνω μέρος της σκούπας και στερεώστε τις με τα μάνδαλα.

► **Εικ.21:** 1. Μάνδαλο 2. ΜΑΚΡΑC

Το μέγιστο ύψος και βάρος ενός τοποθετημένου ΜΑΚΡΑC είναι 315 mm και 20 kg αντίστοιχα.

► **Εικ.22**

ΛΕΙΤΟΥΡΓΙΑ ΑΣΥΡΜΑΤΗΣ ΕΝΕΡΓΟΠΟΙΗΣΗΣ

Προαιρετικό εξάρτημα

Τι μπορείτε να κάνετε με τη λειτουργία ασύρματης ενεργοποίησης

Η λειτουργία ασύρματης ενεργοποίησης επιτρέπει την καθαρή και άνετη λειτουργία. Αν συνδέσετε ένα υποστηρίζόμενο εργαλείο στη σκούπα, μπορείτε να χρησιμοποιείτε τη σκούπα αυτόματα μαζί με τη λειτουργία διακόπτη του εργαλείου.

► **Εικ.23**

ΕΙΔΟΠΟΙΗΣΗ: Βεβαιωθείτε να ανατρέξετε και στο εγχειρίδιο οδηγιών του εργαλείου όταν χρησιμοποιείτε τη σκούπα με τη λειτουργία ασύρματης ενεργοποίησης.

ΕΙΔΟΠΟΙΗΣΗ: Μην αποσυναρμολογείτε ή παραβιάζετε την ασύρματη μονάδα.

ΕΙΔΟΠΟΙΗΣΗ: Για να αποφευχθεί η είσοδος σκόνης στη σχισμή της ασύρματης μονάδας, να κλείνετε πάντα το καπάκι καλά κατά τη λειτουργία και την αποθήκευση.

ΕΙΔΟΠΟΙΗΣΗ: Μην πατήσετε το κουμπί ασύρματης ενεργοποίησης πολύ δυνατά ή/και μην πατήσετε το κουμπί με ένα αντικείμενο με αιχμηρό άκρο.

ΠΑΡΑΤΗΡΗΣΗ: Για την ασύρματη ενεργοποίηση, τα εργαλεία Makita πρέπει να είναι εξοπλισμένα με την ασύρματη μονάδα.

ΠΑΡΑΤΗΡΗΣΗ: Πριν από την αρχική χρήση της λειτουργίας ασύρματης ενεργοποίησης με κάθε εργαλείο, απαιτείται καταχώρηση εργαλείου. Μόλις ολοκληρωθεί η καταχώρηση με το εργαλείο, δεν απαιτείται εκ νέου καταχώρηση εκτός εάν ακυρωθεί.

ΠΑΡΑΤΗΡΗΣΗ: Πριν από την καταχώρηση, βεβαιωθείτε ότι η ασύρματη μονάδα είναι σωστά τοποθετημένη.

ΠΑΡΑΤΗΡΗΣΗ: Μία ασύρματη μονάδα μπορεί να καταχωρήσει μέχρι 10 συνδέσμους με άλλες ασύρματες μονάδες. Αν περισσότερες από 10 άλλες ασύρματες μονάδες καταχωρηθούν με μία ασύρματη μονάδα, αυτή που είχε καταχωρηθεί πιο νωρίς θα ακυρωθεί αυτόματα.

ΠΑΡΑΤΗΡΗΣΗ: Η θέση του κουμπιού ασύρματης ενεργοποίησης διαφέρει ανάλογα με το εργαλείο.

ΠΑΡΑΤΗΡΗΣΗ: Η σκούπα επίσης ξεκινάει αν πατήσετε το κουμπί λειτουργίας όταν ο διακόπτης αναμονής είναι στη θέση «ΑΥΤΟ» (αυτόματα). Ωστόσο, το κουμπί λειτουργίας δεν ενεργοποιείται όταν χρησιμοποιείται η λειτουργία ασύρματης ενεργοποίησης.

Εγκατάσταση της ασύρματης μονάδας

ΠΡΟΕΙΔΟΠΟΙΗΣΗ: Ανοίξτε το καπάκι μόνο όταν τοποθετείτε την ασύρματη μονάδα για πρώτη φορά. Μην ανοίγετε ποτέ το καπάκι αφού την τοποθετήσετε.

ΠΡΟΣΟΧΗ: Τοποθετήστε τη μηχανή σε μια επίπεδη και σταθερή επιφάνεια όταν εγκαθιστάτε την ασύρματη μονάδα.

ΕΙΔΟΠΟΙΗΣΗ: Καθαρίστε τη σκόνη και τη βρομιά στη μηχανή πριν τοποθετήσετε την ασύρματη μονάδα. Η σκόνη ή η βρομιά μπορεί να προκαλέσει δυσλειτουργία αν έρθει σε επαφή με τη σχισμή της ασύρματης μονάδας.

ΕΙΔΟΠΟΙΗΣΗ: Για να αποτρέψετε τη δυσλειτουργία που προκαλείται από στατικό ηλεκτρισμό, αγγίξτε κάποιο υλικό στατικής εκκένωσης, όπως ένα μεταλλικό εξάρτημα, πριν σηκώσετε την ασύρματη μονάδα.

ΕΙΔΟΠΟΙΗΣΗ: Όταν τοποθετείτε την ασύρματη μονάδα, να βεβαιώνεστε πάντα ότι η ασύρματη μονάδα έχει εισαχθεί με τη σωστή κατεύθυνση και το καπάκι είναι εντελώς κλειστό.

- Χαλαρώστε τη βίδα για να ανοίξετε το καπάκι στη σκούπα όπως απεικονίζεται στην εικόνα.
► **Εικ.24:** 1. Καπάκι 2. Βίδα
- Εισαγάγετε την ασύρματη μονάδα στη σχισμή. Όταν εισαγάγετε την ασύρματη μονάδα, ευθυγραμμίστε τις προεξοχές με τα βαθουλωτά τμήματα στη σχισμή.
► **Εικ.25:** 1. Ασύρματη μονάδα 2. Προεξοχή 3. Καπάκι 4. Βαθουλωτό τμήμα
- Σφίξτε τη βίδες εντελώς για να κλείσετε το καπάκι.

Καταχώρηση εργαλείου για τη σκούπα

ΠΑΡΑΤΗΡΗΣΗ: Για την καταχώρηση εργαλείου, απαιτείται εργαλείο Makita που υποστηρίζει τη λειτουργία ασύρματης ενεργοποίησης.

ΠΑΡΑΤΗΡΗΣΗ: Ολοκληρώστε την εγκατάσταση της ασύρματης μονάδας στο εργαλείο πριν ξεκινήσετε την καταχώρηση εργαλείου.

ΠΑΡΑΤΗΡΗΣΗ: Κατά την καταχώρηση εργαλείου, μην τραβήξετε τη σκανδάλη διακόπτη στο εργαλείο ούτε να ενεργοποιήσετε το διακόπτη λειτουργίας στη σκούπα.

ΠΑΡΑΤΗΡΗΣΗ: Ανατρέξτε και στο εγχειρίδιο οδηγιών του εργαλείου.

Αν επιθυμείτε να ενεργοποιήσετε τη σκούπα μαζί με τη λειτουργία διακόπτη του εργαλείου, ολοκληρώστε εκ των προτέρων την καταχώρηση εργαλείου.

- Τοποθετήστε τις ασύρματες μονάδες στη μηχανή και το εργαλείο, αντίστοιχα.
- Τοποθετήστε τις μπαταρίες στη σκούπα και στο εργαλείο.
- Θέστε τον διακόπτη αναμονής στη σκούπα στη θέση «ΑΥΤΟ» (αυτόματα).
► **Εικ.26:** 1. Διακόπτης αναμονής
- Πατήστε το κουμπί ασύρματης ενεργοποίησης στη σκούπα για 3 δευτερόλεπτα μέχρι η λυχνία ασύρματης ενεργοποίησης να αναβοσβήνει με πράσινο χρώμα. Και μετά πατήστε το κουμπί ασύρματης ενεργοποίησης στο εργαλείο με τον ίδιο τρόπο.
► **Εικ.27:** 1. Κουμπί ασύρματης ενεργοποίησης 2. Λυχνία ασύρματης ενεργοποίησης

Αν η σκούπα και το εργαλείο συνδεθούν με επιτυχία, οι λυχνίες ασύρματης ενεργοποίησης θα ανάψουν με πράσινο χρώμα για 2 δευτερόλεπτα και θα αρχίσουν να

αναβοσβήνουν με μπλε χρώμα.

ΠΑΡΑΤΗΡΗΣΗ: Οι λυχνίες ασύρματης ενεργοποίησης θα αρχίσουν να αναβοσβήνουν με πράσινο χρώμα αφού περάσουν 20 δευτερόλεπτα. Πατήστε το κουμπί ασύρματης ενεργοποίησης στο εργαλείο ενώ η λυχνία ασύρματης ενεργοποίησης αναβοσβήνει στη σκούπα. Αν η λυχνία ασύρματης ενεργοποίησης δεν αναβοσβήνει με πράσινο χρώμα, πατήστε για λίγο το κουμπί ασύρματης ενεργοποίησης και κρατήστε το ξανά πατημένο.

ΠΑΡΑΤΗΡΗΣΗ: Όταν εκτελείτε δύο ή περισσότερες καταχωρήσεις εργαλείων για τη σκούπα, ολοκληρώστε την καταχώρηση εργαλείου ένα τη φορά.

Έναρξη της λειτουργίας ασύρματης ενεργοποίησης

ΠΑΡΑΤΗΡΗΣΗ: Ολοκληρώστε την καταχώρηση εργαλείου για τη σκούπα για την ασύρματη ενεργοποίηση.

ΠΑΡΑΤΗΡΗΣΗ: Να τοποθετείτε πάντα τη σκούπα με τρόπο ώστε να βλέπετε την κατάσταση της λυχνίας ασύρματης ενεργοποίησης.

ΠΑΡΑΤΗΡΗΣΗ: Ανατρέξτε και στο εγχειρίδιο οδηγιών του εργαλείου.

Αφού καταχωρήσετε ένα εργαλείο με τη σκούπα, η σκούπα θα λειτουργεί αυτόματα μαζί με τη λειτουργία διακόπτη του εργαλείου.

1. Τοποθετήστε τις ασύρματες μονάδες στη μηχανή και το εργαλείο, αντίστοιχα.

2. Τοποθετήστε τις μπαταρίες στη σκούπα και στο εργαλείο.

3. Συνδέστε τον εύκαμπο σωλήνα της σκούπας με το εργαλείο.

► **Εικ.28**

4. Θέστε τον διακόπτη αναμονής στη σκούπα στη θέση «AUTO» (αυτόματα).

► **Εικ.29:** 1. Διακόπτης αναμονής

5. Πατήστε σύντομα το κουμπί ασύρματης ενεργοποίησης στο εργαλείο. Η λυχνία ασύρματης ενεργοποίησης θα αναβοσβήνει με μπλε χρώμα.

► **Εικ.30:** 1. Κουμπί ασύρματης ενεργοποίησης
2. Λυχνία ασύρματης ενεργοποίησης

6. Ενεργοποιήστε το εργαλείο. Ελέγξτε αν η σκούπα λειτουργεί ενώ το εργαλείο λειτουργεί.

ΠΡΟΣΟΧΗ: Να ελέγχετε πάντα αν η λειτουργία ασύρματης ενεργοποίησης λειτουργεί πριν ξεκινήσετε μια εργασία με το εργαλείο.

Για να σταματήσετε την ασύρματη ενεργοποίηση, πατήστε το κουμπί ασύρματης ενεργοποίησης στο εργαλείο ή θέστε το διακόπτη αναμονής στη σκούπα στη θέση «I» ή «O».

ΠΑΡΑΤΗΡΗΣΗ: Η λυχνία ασύρματης ενεργοποίησης στο εργαλείο θα σταματήσει να αναβοσβήνει με μπλε χρώμα όταν δεν υπάρχει λειτουργία για 2 ώρες. Σε αυτή την περίπτωση, θέστε το διακόπτη αναμονής στη σκούπα στη θέση «AUTO» (αυτόματα) και πατήστε ξανά το κουμπί ασύρματης ενεργοποίησης στο εργαλείο.

ΠΑΡΑΤΗΡΗΣΗ: Η σκούπα αρχίζει/σταματάει με καθυστέρηση. Υπάρχει χρονική καθυστέρηση όταν η σκούπα ανιχνεύει τη λειτουργία διακόπτη του εργαλείου.

ΠΑΡΑΤΗΡΗΣΗ: Η απόσταση μετάδοσης της ασύρματης μονάδας μπορεί να ποικίλλει ανάλογα με την τοποθεσία και τις περιβάλλουσες συνθήκες.

ΠΑΡΑΤΗΡΗΣΗ: Όταν δύο ή περισσότερα εργαλεία καταχωρούνται σε μία σκούπα, η σκούπα μπορεί να αρχίσει να λειτουργεί ακόμη κι αν δεν ενεργοποιείτε το εργαλείο επειδή κάποιος άλλος χρήστης χρησιμοποιεί τη λειτουργία ασύρματης ενεργοποίησης.

Ακύρωση καταχώρησης εργαλείου για τη σκούπα

Εκτελέστε την ακόλουθη διαδικασία όταν ακυρώνετε την καταχώρηση εργαλείου για τη σκούπα.

1. Τοποθετήστε τις ασύρματες μονάδες στη μηχανή και το εργαλείο, αντίστοιχα.

2. Τοποθετήστε τις μπαταρίες στη σκούπα και στο εργαλείο.

3. Θέστε τον διακόπτη αναμονής στη σκούπα στη θέση «AUTO» (αυτόματα).

► **Εικ.31:** 1. Διακόπτης αναμονής

4. Πατήστε το κουμπί ασύρματης ενεργοποίησης στη σκούπα για 6 δευτερόλεπτα. Η λυχνία ασύρματης ενεργοποίησης αναβοσβήνει με πράσινο χρώμα και μετά γίνεται κόκκινη. Μετά από αυτό, πατήστε το κουμπί ασύρματης ενεργοποίησης στο εργαλείο με τον ίδιο τρόπο.

► **Εικ.32:** 1. Κουμπί ασύρματης ενεργοποίησης
2. Λυχνία ασύρματης ενεργοποίησης

Αν η ακύρωση εκτελεστεί με επιτυχία, οι λυχνίες ασύρματης ενεργοποίησης θα ανάψουν με κόκκινο χρώμα για 2 δευτερόλεπτα και θα αρχίσουν να αναβοσβήνουν με μπλε χρώμα.

ΠΑΡΑΤΗΡΗΣΗ: Οι λυχνίες ασύρματης ενεργοποίησης θα αρχίσουν να αναβοσβήνουν με κόκκινο χρώμα αφού περάσουν 20 δευτερόλεπτα. Πατήστε το κουμπί ασύρματης ενεργοποίησης στο εργαλείο ενώ η λυχνία ασύρματης ενεργοποίησης αναβοσβήνει στη σκούπα. Αν η λυχνία ασύρματης ενεργοποίησης δεν αναβοσβήνει με κόκκινο χρώμα, πατήστε για λίγο το κουμπί ασύρματης ενεργοποίησης και κρατήστε το ξανά πατημένο.

Διαγραφή όλων των καταχωρήσεων εργαλείων

Μπορείτε να διαγράψετε όλες τις καταχωρήσεις εργαλείων από τη σκούπα ως εξής.

► **Εικ.33:** 1. Διακόπτης αναμονής 2. Κουμπί ασύρματης ενεργοποίησης 3. Λυχνία ασύρματης

ενεργοποίησης

1. Εγκαταστήστε την ασύρματη μονάδα στη μηχανή.
2. Τοποθετήστε τις μπαταρίες στη σκούπα.
3. Θέστε το διακόπτη αναμονής στη θέση «AUTO» (αυτόματα).
4. Κρατήστε πατημένο το κουμπί ασύρματης ενεργοποίησης για περίπου 6 δευτερόλεπτα μέχρι η λυχνία ασύρματης ενεργοποίησης να αναβοσβήνει με κόκκινο χρώμα (περίπου δύο φορές το δευτερόλεπτο).
5. Όταν η λυχνία ασύρματης ενεργοποίησης αρχίζει να αναβοσβήνει με κόκκινο χρώμα, αφήστε το δάχτυλό σας από το κουμπί ασύρματης ενεργοποίησης. Μετά,

κρατήστε ξανά πατημένο το κουμπί ασύρματης ενεργοποίησης για περίπου 6 δευτερόλεπτα.

6. Όταν η λυχνία ασύρματης ενεργοποίησης αρχίζει να αναβοσβήνει γρήγορα (περίπου 5 φορές το δευτερόλεπτο) με κόκκινο χρώμα, αφήστε το δάχτυλό σας από το κουμπί ασύρματης ενεργοποίησης. Όταν η λυχνία ασύρματης ενεργοποίησης ανάβει με κόκκινο χρώμα και αργότερα σβήνει, διαγράφονται όλες οι καταχωρήσεις εργαλείων.

ΠΑΡΑΤΗΡΗΣΗ: Αν η λυχνία ασύρματης ενεργοποίησης δεν αναβοσβήνει με κόκκινο χρώμα, πατήστε για λίγο το κουμπί ασύρματης ενεργοποίησης και δοκιμάστε ξανά.

Περιγραφή της κατάστασης της λυχνίας ασύρματης ενεργοποίησης

- **Εικ.34:** 1. Κουμπί ασύρματης ενεργοποίησης
2. Λυχνία ασύρματης ενεργοποίησης

Η λυχνία ασύρματης ενεργοποίησης δείχνει την κατάσταση της λειτουργίας ασύρματης ενεργοποίησης. Ανατρέξτε στον παρακάτω πίνακα για τη σημασία της κατάστασης λυχνίας.

Κατάσταση	Λυχνία ασύρματης ενεργοποίησης			Περιγραφή	
	Χρώμα	<input type="checkbox"/> Αναμμένη	<input type="checkbox"/> Αναβοσβήνει		Διάρκεια (κατά προσέγγιση)
Αναμονή	Μπλε	<input checked="" type="checkbox"/>		Σκούπα: συνεχόμενα Εργαλείο: 2 ώρες	Η αναμονή για την καταχώρηση εργαλείου ή για τη λειτουργία ασύρματης ενεργοποίησης είναι διαθέσιμη. Η λυχνία στη σκούπα αναβοσβήνει όταν ο διακόπτης αναμονής είναι στη θέση AUTO. Η λυχνία στο εργαλείο αναβοσβήνει όταν πατηθεί το κουμπί ασύρματης ενεργοποίησης. Η λυχνία στο εργαλείο θα σβήσει αυτόματα όταν δεν εκτελεστεί καμία λειτουργία για 2 ώρες.
		<input type="checkbox"/>		Όταν το εργαλείο λειτουργεί.	Η ασύρματη ενεργοποίηση της σκούπας είναι διαθέσιμη και το εργαλείο λειτουργεί.
Καταχώρηση εργαλείου	Πράσινη	<input checked="" type="checkbox"/>		20 δευτερόλεπτα	Έτοιμο για καταχώρηση εργαλείου. Γίνεται αναζήτηση του εργαλείου για καταχώρηση.
		<input type="checkbox"/>		2 δευτερόλεπτα	Η καταχώρηση εργαλείου έχει ολοκληρωθεί. Η λυχνία ασύρματης ενεργοποίησης θα αρχίσει να αναβοσβήνει με μπλε χρώμα.
Ακύρωση/ διαγραφή της καταχώρησης εργαλείου	Κόκκινη	<input checked="" type="checkbox"/>		20 δευτερόλεπτα	Έτοιμο για ακύρωση της καταχώρησης εργαλείου. Γίνεται αναζήτηση του εργαλείου για ακύρωση.
		<input checked="" type="checkbox"/>		(αργά: 2 φορές/ δευτερόλεπτο)	
		<input checked="" type="checkbox"/>		(γρήγορα: 5 φορές/ δευτερόλεπτο)	Όταν το κουμπί ασύρματης ενεργοποίησης είναι πατημένο.
Άλλες	Κόκκινη	<input type="checkbox"/>		2 δευτερόλεπτα	Η καταχώρηση εργαλείου έχει ακυρωθεί/διαγραφεί. Η λυχνία ασύρματης ενεργοποίησης θα αρχίσει να αναβοσβήνει με μπλε χρώμα.
		<input type="checkbox"/>		3 δευτερόλεπτα	Η ισχύς παρέχεται στην ασύρματη μονάδα και η λειτουργία ασύρματης ενεργοποίησης εκκινείται.
	Σβηστή	-		-	Ο διακόπτης αναμονής δεν είναι στη θέση «AUTO» (αυτόματα).

Αντιμετώπιση προβλημάτων για τη λειτουργία ασύρματης ενεργοποίησης

Πριν ζητήσετε επισκευές, εκτελέστε αρχικά τη δική σας επιθεώρηση. Αν εντοπίσετε πρόβλημα που δεν επεξηγείται στο εγχειρίδιο, μην επιχειρήσετε να απωσαρμολογήσετε το εργαλείο. Αντί αυτού, ζητήστε βοήθεια από εξουσιοδοτημένα κέντρα εξυπηρέτησης της Makita και πάντοτε να χρησιμοποιείτε γνήσια ανταλλακτικά της Makita.

Κατάσταση προβλήματος	Πιθανή αιτία (δυσλειτουργία)	Αποκατάσταση
Η λυχνία ασύρματης ενεργοποίησης δεν ανάβει/αναβοσβήνει.	Η ασύρματη μονάδα δεν είναι εγκατεστημένη στη μηχανή ή/και στο εργαλείο. Η ασύρματη μονάδα είναι εγκατεστημένη στη μηχανή ή/και στο εργαλείο λανθασμένα.	Τοποθετήστε σωστά την ασύρματη μονάδα.
	Το κουμπί ασύρματης ενεργοποίησης στο εργαλείο δεν έχει πατηθεί.	Πατήστε σύντομα το κουμπί ασύρματης ενεργοποίησης στο εργαλείο.
	Ο διακόπτης αναμονής στη σκούπα δεν είναι στη θέση «AUTO» (αυτόματα).	Θέστε τον διακόπτη αναμονής στη σκούπα στη θέση «AUTO» (αυτόματα).
	Δεν υπάρχει παροχή ρεύματος	Παρέχετε ισχύ στο εργαλείο και τη σκούπα.
Δεν είναι δυνατή η ολοκλήρωση της καταχώρησης εργαλείου / ακύρωσης καταχώρησης εργαλείου με επιτυχία.	Η ασύρματη μονάδα δεν είναι εγκατεστημένη στη μηχανή ή/και στο εργαλείο. Η ασύρματη μονάδα είναι εγκατεστημένη στη μηχανή ή/και στο εργαλείο λανθασμένα.	Τοποθετήστε σωστά την ασύρματη μονάδα.
	Ο διακόπτης αναμονής στη σκούπα δεν είναι στη θέση «AUTO» (αυτόματα).	Θέστε τον διακόπτη αναμονής στη σκούπα στη θέση «AUTO» (αυτόματα).
	Δεν υπάρχει παροχή ρεύματος	Παρέχετε ισχύ στο εργαλείο και τη σκούπα.
	Λανθασμένη λειτουργία	Πατήστε σύντομα το κουμπί ασύρματης ενεργοποίησης και πραγματοποιήστε ξανά τις διαδικασίες καταχώρησης/ακύρωσης εργαλείου.
	Το εργαλείο και η σκούπα βρίσκονται σε αρκετή απόσταση μεταξύ τους (εκτός του εύρους μετάδοσης).	Φέρετε το εργαλείο και τη σκούπα πιο κοντά. Η μέγιστη απόσταση μετάδοσης είναι περίπου 10 μέτρα, ωστόσο, μπορεί να διαφέρει ανάλογα με τις συνθήκες.
	Πριν τελειώσετε την καταχώρηση/ακύρωση του εργαλείου, - ο διακόπτης του εργαλείου είναι τραβηγμένος, ή - το κουμπί λειτουργίας στη σκούπα είναι ενεργοποιημένο.	Πατήστε σύντομα το κουμπί ασύρματης ενεργοποίησης και πραγματοποιήστε ξανά τις διαδικασίες καταχώρησης/ακύρωσης εργαλείου.
	Δεν έχουν ολοκληρωθεί οι διαδικασίες καταχώρησης εργαλείων για το εργαλείο ή τη σκούπα.	Εκτελέστε τις διαδικασίες καταχώρησης εργαλείου για το εργαλείο και τη σκούπα ταυτόχρονα.
	Ραδιοφωνικά παράσιτα από άλλες συσκευές που παράγουν ραδιοκύματα υψηλής έντασης.	Διατηρήστε το εργαλείο και τη σκούπα μακριά από τις συσκευές, όπως συσκευές Wi-Fi και φούρνους μικροκυμάτων.
Η σκούπα δεν λειτουργεί μαζί με τη λειτουργία διακοπής του εργαλείου.	Η ασύρματη μονάδα δεν είναι εγκατεστημένη στη μηχανή ή/και στο εργαλείο. Η ασύρματη μονάδα είναι εγκατεστημένη στη μηχανή ή/και στο εργαλείο λανθασμένα.	Τοποθετήστε σωστά την ασύρματη μονάδα.
	Το κουμπί ασύρματης ενεργοποίησης στο εργαλείο δεν έχει πατηθεί.	Πατήστε για λίγο το κουμπί ασύρματης ενεργοποίησης και βεβαιωθείτε ότι η λυχνία ασύρματης ενεργοποίησης αναβοσβήνει με μπλε χρώμα.
	Ο διακόπτης αναμονής στη σκούπα δεν είναι στη θέση «AUTO» (αυτόματα).	Θέστε τον διακόπτη αναμονής στη σκούπα στη θέση «AUTO» (αυτόματα).
	Περισσότερα από 10 εργαλεία έχουν καταχωρηθεί με τη σκούπα.	Πραγματοποιήστε ξανά την καταχώρηση εργαλείου. Αν περισσότερα από 10 εργαλεία είναι καταχωρημένα στη σκούπα, το εργαλείο που είχε καταχωρηθεί πιο νωρίς θα ακυρωθεί αυτόματα.
	Η σκούπα έσβησε όλες τις καταχωρήσεις εργαλείων.	Πραγματοποιήστε ξανά την καταχώρηση εργαλείου.
	Δεν υπάρχει παροχή ρεύματος	Παρέχετε ισχύ στο εργαλείο και τη σκούπα.
	Το εργαλείο και η σκούπα βρίσκονται σε αρκετή απόσταση μεταξύ τους (εκτός του εύρους μετάδοσης).	Φέρετε το εργαλείο και τη σκούπα πιο κοντά. Η μέγιστη απόσταση μετάδοσης είναι περίπου 10 μέτρα, ωστόσο, μπορεί να διαφέρει ανάλογα με τις συνθήκες.
	Ραδιοφωνικά παράσιτα από άλλες συσκευές που παράγουν ραδιοκύματα υψηλής έντασης.	Διατηρήστε το εργαλείο και τη σκούπα μακριά από τις συσκευές, όπως συσκευές Wi-Fi και φούρνους μικροκυμάτων.
Η σκούπα λειτουργεί ενώ το εργαλείο δεν λειτουργεί.	Άλλοι χρήστες χρησιμοποιούν την ασύρματη ενεργοποίηση της σκούπας με τα εργαλεία τους.	Κλείστε το κουμπί ασύρματης ενεργοποίησης των άλλων εργαλείων ή ακυρώστε την καταχώρηση εργαλείου των άλλων εργαλείων.

Κατάσταση προβλήματος	Πιθανή αιτία (δυσλειτουργία)	Αποκατάσταση
Δεν μπορείτε να διαγράψετε όλες τις καταχωρήσεις εργαλείων από τη σκούπα.	Πατάτε το κουμπί ασύρματης λειτουργίας στο εργαλείο.	Πατήστε το κουμπί ασύρματης λειτουργίας στη σκούπα για διαγραφή όλων των καταχωρήσεων εργαλείων.
	Ο διακόπτης αναμονής στη σκούπα δεν είναι στη θέση «ΑΥΤΟ» (αυτόματα).	Θέστε τον διακόπτη αναμονής στη σκούπα στη θέση «ΑΥΤΟ» (αυτόματα).
	Το κουμπί ασύρματης ενεργοποίησης δεν είναι πατημένο σωστά.	Κρατήστε πατημένο το κουμπί ασύρματης ενεργοποίησης για περισσότερα από 6 δευτερόλεπτα και μετά αφήστε το όταν η λυχνία ασύρματης ενεργοποίησης αναβοσβήνει με κόκκινο χρώμα. Κρατήστε ξανά πατημένο το κουμπί ασύρματης ενεργοποίησης για περισσότερα από 6 δευτερόλεπτα μέχρι το κουμπί ασύρματης ενεργοποίησης να αναβοσβήνει γρήγορα με κόκκινο χρώμα και μετά αφήστε το κουμπί.

ΣΥΝΤΗΡΗΣΗ

▲ ΠΡΟΣΟΧΗ: Πάντα να βεβαιώνετε ότι η συσκευή είναι απενεργοποιημένη και οι κασέτες μπαταριών έχουν αφαιρεθεί πριν επιχειρήσετε να εκτελέσετε εργασίες επιθεώρησης ή συντήρησης.

ΕΙΔΟΠΟΙΗΣΗ: Μην χρησιμοποιείτε ποτέ βενζίνη, πετρελαϊκό αιθέρα, διαλυτικό, αλκοόλη ή παρόμοιες ουσίες. Μπορεί να προκληθεί αποχρωματισμός, παραμόρφωση ή ρωγμές.

Για τη διατήρηση της ΑΣΦΑΛΕΙΑΣ και ΑΞΙΟΠΙΣΤΙΑΣ του προϊόντος, οι επισκευές και οποιαδήποτε άλλη εργασία συντήρησης ή ρύθμισης πρέπει να εκτελούνται από εξουσιοδοτημένα ή εργοστασιακά κέντρα εξυπηρέτησης της Makita, χρησιμοποιώντας πάντοτε ανταλλακτικά της Makita.

Αφαίρεση της μονάδας φίλτρου

▲ ΠΡΟΣΟΧΗ: Περιμένετε περίπου 5 λεπτά για να κατακαθίσει εντελώς η σκόνη μέσα στη δεξαμενή.

▲ ΠΡΟΣΟΧΗ: Προσέχετε ώστε να μην εισέλθει η σκόνη μέσα στο κάλυμμα δεξαμενής όταν αφαιρέσετε τη μονάδα φίλτρου.

Η μονάδα φίλτρου είναι συνδεδεμένη στη μονάδα κεφαλής. Αποτελείται από άνω πλάκα, προφίλτρα, αποσβεστήρες και φίλτρα πούδρας.

1. Αποδεσμεύστε τους γάντζους ασφάλισης και σηκώστε και αφαιρέστε τη μονάδα κεφαλής από τη δεξαμενή.
 2. Αφαιρέστε τη μονάδα φίλτρου από τη μονάδα κεφαλής όπως απεικονίζεται στην εικόνα.
- **Εικ.35:** 1. Μάνδαλο 2. Μονάδα φίλτρου

Αφαίρεση του φίλτρου πούδρας και προφίλτρου

Σηκώστε το κομβίο και αφαιρέστε τα φίλτρα από την άνω πλάκα.

► **Εικ.36:** 1. Άνω πλάκα 2. Φίλτρα 3. Κομβίο

Για να αποτραπεί η διασπορά της σκόνης στον αέρα, προτιμάται η αφαίρεση των φίλτρων στην πολυαιθυλενική σκούπα.

Όταν μεταφέρετε τη μονάδα φίλτρου για να την καθαρίσετε, δέστε καλά τη πολυαιθυλενική σκούπα.

► **Εικ.37:** 1. Μονάδα φίλτρου 2. Πολυαιθυλενική σκούπα

► **Εικ.38:** 1. Άνω πλάκα 2. Φίλτρα 3. Πολυαιθυλενική σκούπα

Καθαρισμός του φίλτρου πούδρας, του προφίλτρου και του αποσβεστήρα

Να καθαρίζετε περιστασιακά τα φίλτρα και τον αποσβεστήρα. Τα φραγμένα φίλτρα και ο αποσβεστήρας μπορούν να έχουν ως αποτέλεσμα ανεπαρκή αναρροφητική απόδοση.

Να καθαρίζετε τη συσσωρευμένη σκόνη των φίλτρων και τον αποσβεστήρα σε τακτά χρονικά διαστήματα. Να πλένετε περιστασιακά το φίλτρο πούδρας, το προφίλτρο και τον αποσβεστήρα σε νερό, να το ξεπλένετε και να το στεγνώνετε πολύ καλά υπό σκιά, πριν από τη χρήση. Μην τα πλένετε ποτέ στο πλυντήριο.

► **Εικ.39**

ΠΑΡΑΤΗΡΗΣΗ: Μην τρίβετε ή γρατζουνάτε το φίλτρο πούδρας, το προφίλτρο ή τον αποσβεστήρα με σκληρά αντικείμενα όπως βούρτσες ή σπάτουλα.

ΠΑΡΑΤΗΡΗΣΗ: Τα φίλτρα φθείρονται με το πέρασμα του χρόνου. Συνιστάται να έχετε ανταλλακτικά.

Τοποθέτηση του φίλτρου πούδρας και προφίλτρου

ΕΙΔΟΠΟΙΗΣΗ: Το φίλτρο πούδρας και το προφίλτρο μπορούν να συλλέγουν τόσο στεγνές σκόνης όσο και υγρές σκόνης. Βεβαιωθείτε ότι οι αισθητήρες στάθμης νερού ενεργοποιούνται σωστά, ώστε να αποφευχθεί το σπάσιμο του φίλτρου πούδρας.

Γαντζώστε τα άκρα της μονάδας φίλτρου στην άνω πλάκα και μετά χαμηλώστε το κομβίο.

► **Εικ.40:** 1. Άκρο 2. Κομβίο

ΕΙΔΟΠΟΙΗΣΗ: Πριν χρησιμοποιήσετε το φίλτρο πούδρας, βεβαιωθείτε ότι το προφίλτρο και ο αποσβεστήρας χρησιμοποιούνται πάντα μαζί. Δεν επιτρέπεται η τοποθέτηση του φίλτρου πούδρας μόνο του.

Συναρμολόγηση των φίλτρων

Όταν προμηθεύσετε τα φίλτρα ξεχωριστά, συναρμολογήστε τα όπως απεικονίζεται στην εικόνα.

► **Εικ.41:** 1. Φίλτρο πούδρας 2. Αποσβεστήρας 3. Προφίλτρο

Τοποθέτηση της μονάδας φίλτρου

Αφού τοποθετήσετε τα φίλτρα στην άνω πλάκα, γαντζώστε τις οπές της μονάδας φίλτρου στα εξαρτήματα σχήματος «U» του εσωτερικού καλύμματος. Στη συνέχεια, ασφαλίστε το μάνδαλο όπως απεικονίζεται στην εικόνα.

► **Εικ.42:** 1. Εξάρτημα σχήματος «U» 2. Οπή 3. Μάνδαλο

Τοποθέτηση του φίλτρου νερού

Προαιρετικό εξάρτημα

ΕΙΔΟΠΟΙΗΣΗ: Για τη συλλογή υγρής σκόνης, βεβαιωθείτε ότι οι αισθητήρες στάθμης νερού ενεργοποιούνται σωστά.

ΕΙΔΟΠΟΙΗΣΗ: Μην χρησιμοποιείτε το προφίλτρο και τον αποσβεστήρα όταν χρησιμοποιείτε φίλτρο νερού.

Για να συλλέξετε το νερό ή την υγρή σκόνη μόνο, το φίλτρο νερού είναι πιο κατάλληλο από το φίλτρο πούδρας και προφίλτρο.

Όταν τοποθετείτε το φίλτρο νερού, προσαρμόστε το φίλτρο νερού στην άνω πλάκα όπως το φίλτρο πούδρας και το προφίλτρο.

► **Εικ.43**

ΠΑΡΑΤΗΡΗΣΗ: Συνιστάται να χρησιμοποιήσετε το φίλτρο νερού όταν συλλέγετε επανειλημμένα μεγάλες ποσότητες νερού. Διαφορετικά, η ικανότητα αναρρόφησης μπορεί να μειωθεί στην περίπτωση του φίλτρου πούδρας και προφίλτρου.

Καθαρισμός των αισθητήρων στάθμης νερού

Οι αισθητήρες στάθμης νερού ανιχνεύουν υγρό όταν η δεξαμενή γεμίσει με υγρό. Να καθαρίζετε περιστασιακά τους αισθητήρες στάθμης νερού με ένα μαλακό πανί όταν αλλάζετε φίλτρα.

► **Εικ.44:** 1. Αισθητήρας στάθμης νερού

Αποθήκευση των εξαρτημάτων

Τα εξαρτήματα και προσαρτήματα που δεν χρησιμοποιούνται, όπως τα ακροφύσια και οι σωλήνες, μπορούν να κρεμαστούν στον γάντζο στο πίσω μέρος της σκούπας.

► **Εικ.45:** 1. Εξάρτημα και προσαρτήματα που δεν χρησιμοποιούνται

Οι σωλήνες (με τοποθετημένο τον προαιρετικό

αναστολέα) μπορούν να τοποθετηθούν μέσα στον υποδοχέα σωλήνα όταν δεν πρόκειται να χρησιμοποιήσετε τη σκούπα για σύντομο χρονικό διάστημα.

► **Εικ.46:** 1. Αναστολέας (προαιρετικό εξάρτημα) 2. Υποδοχέας σωλήνα

Ένας εύκαμπτος σωλήνας μπορεί να τυλιχτεί και να αποθηκευτεί γύρω από το περίβλημα ή τη λαβή της σκούπας σε μεγάλους βρόχους. Συνδέστε τα δύο άκρα του μαζί για να δημιουργήσετε βρόχους και αγκιστρώστε τους βρόχους στην ανυψωμένη λαβή. Εναλλακτικά, διατηρήστε το βασικό άκρο τοποθετημένο στην είσοδο εύκαμπτου σωλήνα και κρεμάστε τους βρόχους στο πολλαπλό άγκιστρο με το ελεύθερο άκρο δεμένο.

► **Εικ.47**

► **Εικ.48**

ΠΡΟΑΙΡΕΤΙΚΑ ΕΞΑΡΤΗΜΑΤΑ

▲ ΠΡΟΣΟΧΗ: Αυτά τα εξαρτήματα ή προσαρτήματα συνιστώνται για χρήση με το εργαλείο Makita που περιγράφηκε στις οδηγίες αυτές. Η χρήση οποιωνδήποτε άλλων εξαρτημάτων ή προσαρτημάτων μπορεί να προκαλέσει κίνδυνο τραυματισμού σε άτομα. Να χρησιμοποιείτε τα εξαρτήματα ή προσαρτήματα μόνο για την χρήση που προορίζονται.

Εάν χρειάζεστε οποιαδήποτε βοήθεια για περισσότερες πληροφορίες σε σχέση με αυτά τα εξαρτήματα, απαντήστε στο τοπικό σας κέντρο εξυπηρέτησης Makita.

- Εύκαμπτος σωλήνας
- Μπροστινά στόμια (22, 24, 38)
- Ευθύς σωλήνας
- Ακροφύσιο γωνιών
- Στρογγυλή βούρτσα
- Φίλτρο πούδρας M, H (HEPA)
- Αποσβεστήρας
- Προφίλτρο
- Φίλτρο νερού
- Διάταξη ακροφυσίου
- Λυγισμένος σωλήνας
- Πολυαιθυλενική σακούλα
- Σακούλα φίλτρου
- Γνήσια μπαταρία και φορτιστής της Makita
- Ασύρματη μονάδα
- ΜΑΚΡΑC

ΠΑΡΑΤΗΡΗΣΗ: Μερικά στοιχεία στη λίστα μπορεί να συμπεριλαμβάνονται στη συσκευασία εργαλείου ως στάνταρ εξαρτήματα. Μπορεί να διαφέρουν ανάλογα με τη χώρα.

UYARI

- Bu makine fiziksel, duyuşsal ya da zihinsel yetenekleri kısıtlı olan veya deneyim ya da bilgileri olmayan kişiler ve çocuklar tarafından kullanıma uygun deęildir.
- Süpürge ile oynamadıklarından emin olmak için çocuklar kontrol altında bulundurulmalıdır.
- Bataryanın tip referansı için "TEKNİK ÖZELLİKLER" bölümüne bakın.
- Bataryanın nasıl çıkarılacağı veya takılacağı ile ilgili olarak "Batarya kartuşunun takılması veya çıkartılması" kısmına bakın.
- Batarya kartuşunu bertaraf ederken aletten çıkarın ve güvenli bir yerde bertaraf edin. Bataryanın bertaraf edilmesi ile ilgili yerel düzenlemelere uyun.
- Alet uzun süre kullanılmayacaksa batarya aletten çıkarılmalıdır.
- Batarya kartuşunu kısa devre yapmayın.
- Kullanıcı bakımı sırasındaki uygun önlem bilgileri için "BAKIM" bölümüne bakın.

TEKNİK ÖZELLİKLER

Model:		VC007GL
Hortumun ucundaki maksimum hava hacmi	BL4050F, ø28 mm x3,5 m hortumla	2,0 m ³ /min
	BL4050F, ø38 mm x 2,5 m hortumla	3,7 m ³ /min
Türbindeki maksimum hava hacmi (BL4050F ile)		4,9 m ³ /min
Vakum (BL4050F ile)		18 kPa
Elde edilebilir kapasite	Toz	40 L
	Su	30 L
Ebat (U x G x Y)		586 mm x 385 mm x 598 mm
Nominal voltaj		D.C. 72 V - 80 V maks.
Net ağırlık		18,3 - 20,7 kg
Koruma sınıfı		IPX4

- Sürekli yapılan araştırma ve geliştirmelerden dolayı, burada belirtilen özellikler önceden bildirilmeksizin deęiştirilebilir.
- Teknik özellikler ülkeden ülkeye farklılık gösterebilir.
- Ağırlık, batarya kartuşu/kartuşları hariç aksesuarları içermez. Cihazın ve batarya kartuşunun/kartuşlarının en hafif ve en ağır kombinasyonlarda ağırlığı tabloda gösterilmiştir.

Geçerli batarya kartuşu ve şarj aleti

Batarya kartuşu	BL4020 / BL4025 / BL4040* / BL4050F* / BL4080F* * : Önerilen batarya
Şarj aleti	DC40RA / DC40RB / DC40RC / DC40WA / BCC01 / BCC02

- Yukarıda listelenen batarya kartuşlarının ve şarj aletlerinin bazıları yaşadığınız bölgeye baęlı olarak mevcut olmayabilir.

UYARI: Sadece yukarıda listelenen batarya kartuşlarını ve şarj aletlerini kullanın. Başka batarya kartuşlarının ve şarj aletlerinin kullanılması yaralanma ve/veya yangına neden olabilir.

Semboller

Ekipmanı için kullanılabilecek semboller aşağıda gösterilmiştir. Kullanmadan önce anlamlarını anladığınızdan emin olun.



El kitabını okuyun.



Çok özenli ve dikkatli kullanın.



Uyarı! Süpürge tehlikeli tozlar içerebilir.



Asla süpürge üzerine çıkmayın.



Max
20kg
44lbs

Süpürge'nin üzerine 20 kg'dan (44 lbs)
daha ağır hiçbir şey koymayın.



Toz sınıfı: L (hafif); Süpürgeler, L sınıfı
tozları toplamak içindir. Tozlara ve mes-
leki tehlikelere ve güvenliğe ilişkin olarak
ülkenizdeki yönetmeliklere uyun.



Ni-MH
Li-Ion

Sadece AB ülkeleri için
Ekipmanda tehlikeli bileşenler bulundu-
ğundan dolayı atık elektrikli ve elektronik
ekipmanlar, aküler ve bataryalar çevre ve
insan sağlığı üzerinde olumsuz etkiye yol
açabilir.
Elektrikli ve elektronik cihazları veya batar-
yaları evsel atıklarla birlikte atmayın!
Atık elektrikli ve elektronik ekipmanlar ile
akümülatörler ve bataryalar hakkındaki
Avrupa Direktifi ve söz konusu direktifin
ulusal yasalara uyarlanması gereğince
atık elektrikli ekipmanlar, bataryalar ve
akümülatörler ayrı olarak depolanmalı ve
çevre koruma hakkındaki mevzuata uygun
olarak faaliyet gösteren ayrı bir kentsel atık
toplama noktasına teslim edilmelidir.
Bu husus, ekipmanın üzerine yerleştirilmiş
üzerinde çarpı işareti bulunan tekerlekli
çöp kovası simgesi ile belirtilmiştir.

Kullanım amacı

Bu cihaz ıslak ve kuru tozları toplamak amacıyla kul-
lanılır. Cihaz; oteller, okullar, hastaneler, fabrikalar,
dükkanlar, ofisler ve kiralama hizmetleri gibi ticari kulla-
nımlar için uygundur.

Gürültü

Tipik A-ağırlıklı gürültü düzeyi (EN60335-2-69 standar-
dına göre belirlenen):
Ses basınç seviyesi (L_{PA}): 70 dB (A) veya daha az
Belirsizlik (K): 2,5 dB (A)

İşlem sırasında gürültü seviyesi 80 dB (A)'yi geçebilir.

NOT: Beyan edilen gürültü emisyonu değer(ler)i bir
standart test yöntemine uygun şekilde ölçülmüştür ve
bir aleti bir başkasıyla karşılaştırmak için kullanılabilir.

NOT: Beyan edilen gürültü emisyonu değer(ler)
i bir ön maruz kalma değerlendirmesi olarak da
kullanılabilir.

UYARI: Kulak koruyucuları takın.

UYARI: Elektrikli aletin gerçek kullanımı sıra-
sındaki gürültü emisyonu, aletin kullanım biçim-
lerine, özellikle işlenen iş parçasının türüne bağlı
olarak beyan edilen değer(ler)den farklı olabilir.

UYARI: Gerçek kullanım koşullarındaki tah-
mini maruziyeti baz alan, operatörü koruyacak
güvenlik önlemlerini mutlaka belirleyin (çalışma
döngüsü içerisinde aletin kapalı olduğu ve aktif
durumda olmasının yanı sıra boşta çalıştığı
zamanlar gibi, bütün zaman dilimleri göz önünde
bulundurarak).

Titreşim

Titreşim toplam değeri (Üç eksenli vektör toplamı)
(EN60335-2-69 standardına göre hesaplanan):
Titreşim emisyonu (a_{n,M}): 2,5 m/s² den az

Belirsizlik (K) : 1,5 m/s²

NOT: Beyan edilen titreşim toplam değer(ler)i bir
standart test yöntemine uygun şekilde ölçülmüştür ve
bir aleti bir başkasıyla karşılaştırmak için kullanılabilir.
NOT: Beyan edilen titreşim toplam değer(ler)i bir ön
maruz kalma değerlendirmesi olarak da kullanılabilir.

UYARI: Elektrikli aletin gerçek kullanımı sıra-
sındaki titreşim emisyonu, aletin kullanım biçim-
lerine, özellikle işlenen iş parçasının türüne bağlı
olarak beyan edilen değer(ler)den farklı olabilir.

UYARI: Gerçek kullanım koşullarındaki tah-
mini maruziyeti baz alan, operatörü koruyacak
güvenlik önlemlerini mutlaka belirleyin (çalışma
döngüsü içerisinde aletin kapalı olduğu ve aktif
durumda olmasının yanı sıra boşta çalıştığı
zamanlar gibi, bütün zaman dilimleri göz önünde
bulundurarak).

Uygunluk Beyanları

Sadece Avrupa ülkeleri için

Uygunluk beyanları bu kullanma kılavuzuna Ek A olarak
eklenmiştir.

GÜVENLİK UYARILARI

Akülü süpürgesi güvenlik uyarıları

**UYARI: ÖNEMLİ KULLANMADAN ÖNCE tüm
güvenlik uyarılarını ve tüm talimatları DİKKATLE
OKUYUN.** Uyarılara ve talimatlara uyulmaması
elektrik şoku, yangın ve/veya ciddi yaralanmalar ile
sonuçlanabilir.

1. Kullanmadan önce, bu süpürgeyi kullanacak
kişilerin bu süpürge'nin kullanımını konusunda
yeterince bilgilendirildiğinden emin olun.
2. Kullanmadan önce operatörlere, makinenin
kullanımı ve hangi maddeler için kullanıl-
acağına ilişkin, toplanan materyali güvenli
çıkarma ve atma yöntemi de dahil olmak üzere
bilgi, talimat ve eğitim verilmelidir.
3. Köpük ya da sıvı çıkıyorsa aleti derhal kapatın.
4. Su seviyesi sınırlama cihazını düzenli olarak
temizleyin ve hasar belirtirlerine karşı inceleyin.
5. Kullanmadan önce filtrelerin düzgün bir
şekilde takıldıklarından mutlaka emin olun.
Süpürgeyi filtreler yerinde olmadan kullanma-
yın. Hasarlı filtreyi hemen değiştirin. Filtreler
sarf malzemeleri olduğundan bir miktar yedek
bulundurulması önerilir.
6. İSTEM DIŞI BAŞLATMAYI ÖNLEYİN. Bataryayı/
bataryaları takarken anahtarın KAPALI
konumda olduğundan emin olun.
7. Yanıcı malzemeleri, havai fişekleri, yanan sigar-
aları, sıcak külleri, sıcak metal parçaları ve
jilet, iğne, kırık cam vb. gibi keskin malzemeleri
süpürgeyle çekmeye çalışmayın.
8. SÜPÜRGEYİ ASLA BENZİN, GAZ, BOYA,
YAPIŞTIRICILAR YA DA DİĞER YÜKSEK

ORANDA PATLAYICI ÖZELLİĞİ OLAN

MADDELERİN YAKININDA KULLANMAYIN.

AÇMA ve KAPAMA sırasında anahtardan kıvılcım çıkar. Kullanım sırasında motor kolektöründen de kıvılcım çıkar. Ciddi bir patlama meydana gelebilir.

9. Asbest, arsenik, baryum, berilyum, kurşun, pestisitler gibi zehirli, kanserojen, yanıcı veya diğer tehlikeli maddeleri veya sağlığa zararlı maddeleri süpürgeyle çekmeyin.
10. Düşmesini veya kazara hareket etmesini engellemek için süpürgeyi her zaman yatay düz bir yüzeye yerleştirin.
11. Süpürgeyi yağmurlu havalarda dışarıda asla kullanmayın.
12. Finlandiya için bu makine düşük sıcaklıkta dış mekanlarda kullanılmamalıdır.
13. Isı kaynaklarının yakınında kullanmayın (ocak vb.).
14. Egzoz havası odaya geri dönerse odada yeterli bir hava değişim oranı sağlamak gereklidir. Gerekirse ulusal mevzuata başvurun.
15. Emme ağzı/çıkış/soğutma kanallarını kapatmayın. Bu kanallar motorun soğumasını sağlar. Kanalların kapatılmasından dikkatle kaçınılmalıdır, aksi takdirde yetersiz havalandırma nedeniyle motor yanar.
16. Her zaman yere sağlam basın ve dengeyi koruyun.
17. Hortumu katlamayın, çekiştirmeyin veya üzerine basmayın.
18. Kullanım sırasında performansta zayıflama ya da normal olmayan herhangi bir durum tespit ettiğinizde süpürgeyi derhal durdurun.
19. **BATARYAYI/BATARYALARI ÇIKARIN.** Kullanılmadığında, servis işlemlerinden önce ve aksesuarları değiştirirken.
20. Süpürgeyi en iyi kullanım koşullarında tutmak için her kullanımdan sonra süpürgeyi derhal temizleyin ve bakımını yapın.
21. **SÜPÜRGENİN BAKIMINI DİKKATLİ BİR ŞEKİLDE YAPIN.** Daha iyi ve güvenli performans için süpürgeyi temiz tutun. Aksesuarların değiştirilmesi için talimatlara uyun. Tutamakları kuru, temiz ve yağ ve gres bulaşmamış halde bulundurun.
22. **HASARLI PARÇALARI KONTROL EDİN.** Süpürgeyi kullanmaya devam etmeden önce, hasar görmüş siper ya da başka bir parça, uygun şekilde çalışıp çalışmayacağını ve amaçlanan işlevi görüp göremeyeceğini belirlemek amacıyla, dikkatli bir şekilde kontrol edilmelidir. Hareketli parçaların hizalanmalarını, bağlantılarını, parçalardaki kırıkları, montajlarını ve işleyişi etkileyebilecek başka durumları kontrol edin. Hasar görmüş siper ya da başka bir parça, bu kullanım kılavuzunda başka bir yer belirtilmediği sürece yetkili bir servis merkezi tarafından onarılmalı ya da değiştirilmelidir. Arızalı anahtarları yetkili servis merkezinde değiştirin. Anahtar süpürgeyi açıp kapatmıyorsa süpürgeyi kullanmayın.
23. Kullanıcı bakımı için makine, bakım personeli ve diğerlerini riske atmadan makul şekilde uygulanabilir ölçüde sökülmesi, temizlenmesi

ve bakımı yapılmalıdır.

24. Makine, üretici firma veya eğitilmiş bir personel tarafından yılda en az bir kez teknik olarak muayene edilmelidir; bu muayene örneğin filtrelerin hasara karşı kontrol edilmesini, makinenin hava geçirmezliğini ve kontrol mekanizmasının düzgün çalışıp çalışmadığını içerir.
25. Bakım veya onarım işlemleri yaparken tatminkar düzeyde temizlenemeyen tüm kirli elemanlar atılmalıdır; söz konusu elemanlar, bu tür atıkların atılması ile ilgili mevcut tüm mevzuata uygun olarak sızdırmaz torbalarda atılmalıdır.
26. **YEDEK PARÇALAR.** Servis için sadece aynı yedek parçaları kullanın.
27. **SÜPÜRGENİN KULLANILMADIĞI ZAMAN SAKLANMASI.** Kullanılmadığında, süpürgeyi iç mekanlarda saklayın.
28. Islak filtreler ve sıvı kabının iç kısmı depolanmadan önce kurutulmalıdır.
29. Süpürgenizi özenle kullanın. Kaba kullanım en sağlam yapıyı süpürgenin bile kırılmasına neden olabilir.
30. İçini ya da dışını benzin, tiner veya temizleyici kimyasallarla temizlemeye çalışmayın. Çatlaklar ya da renk değişiklikleri oluşabilir.
31. Yağ bazlı boya, boya inceltici, benzin, bazı güve yemez maddeler vb.den yanıcı, patlayıcı veya zehirli buharlar çıkan kapalı ortamlarda veya yanıcı tozların mevcut olduğu alanlarda süpürgeyi kullanmayın.
32. Bu aleti ya da diğer aletleri alkol veya ilaçların etkisi altında kullanmayın.
33. Temel bir güvenlik kuralı olarak güvenlik gözlükleri veya kenar siperli güvenlik gözlükleri kullanın.
34. Tozlu çalışma koşullarında bir toz maskesi kullanın.
35. Bu makine fiziksel, duyuusal ya da zihinsel yetenekleri kısıtlı olan veya deneyim ya da bilgileri olmayan kişiler ve çocuklar tarafından kullanıma uygun değildir.
36. Süpürge ile oynamadıklarından emin olmak için çocuklar kontrol altında bulundurulmalıdır.
37. Bataryayı/bataryaları ve süpürgeyi asla ıslak elle ellemeyin.
38. Merdivenlerde temizlik yaparken çok dikkatli olun.
39. Süpürgeyi basamak ya da çalışma tezgahı olarak kullanmayın. Makine devrilebilir ve kişisel yaralanmaya neden olabilir.

Bataryalı aletin kullanımı ve bakımı

1. Sadece üretici tarafından belirtilen şarj aleti ile şarj edin. Bir batarya kutusu için uygun olan şarj cihazı başka bir batarya kutusu ile kullanıldığında yangın riski oluşturabilir.
2. Elektrikli aletleri sadece özel olarak belirtilen batarya kutuları ile kullanın. Başka batarya kutularının kullanımı yaralanma ve yangın riski oluşturabilir.
3. Batarya kutusu kullanılmadığında; iki terminal arasında bağlantı kurulmasına sebep olabilecek ataç, bozuk para, anahtar, çivi, vial gibi metal nesnelere ya da küçük metal objelere uzak tutun. Batarya terminallerine kısa devre

- yaptırmak yanıklara ya da yangına yol açabilir.
4. **Kötü koşullarda bataryadan sıvı sızabilir; bu sıvıya temas etmeyin. Eğer istemeden bir temas olursa suyla yıkayın. Sıvı göze temas ederse, suyla yıkadıktan sonra tıbbi yardım alın.** Bataryadan çıkan sıvı tahrişe ya da yanıklara neden olabilir.
 5. **Batarya kutusu ya da alet hasar görmüşse ya da üzerinde değişiklik yapılmışsa batarya kutusunu kullanmayın.** Hasar görmüş ya da üzerinde değişiklik yapılmış batarya kutuları yangın, patlama ya da yaralanma riski ile sonuçlanan beklenmedik davranışlar sergileyebilir.
 6. **Batarya kutusunu veya aleti ateşe ya da aşırı sıcaklıklara maruz bırakmayın.** Ateşe ya da 130 °C'nin üzerindeki sıcaklıklara maruz bırakmak patlamaya neden olabilir.
 7. **Tüm şarj talimatlarına uyun ve batarya kutusunu ya da aleti yönergelerde belirtilen sıcaklık aralığının dışındaki sıcaklıklarda şarj etmeyin.** Uygun olmayan bir şekilde ya da belirtilen sıcaklık aralığının dışında şarj etmek bataryaya zarar verebilir ve yangın riskini artırabilir.

BU TALİMATLARI SAKLAYIN.

⚠UYARI: Ürünü kullanırken (defalarca kullanınca kazanılan) rahatlık ve tanıdıklık duygusunun ilgili ürünün güvenlik kurallarına sıkı sıkıya bağlı kalmanızı yerine geçmesine İZİN VERMEYİN. YANLIŞ KULLANIM veya bu kullanma kılavuzunda belirtilen emniyet kurallarına uymama ciddi yaralanmaya neden olabilir.

Batarya kartuşu hakkında önemli güvenlik talimatları

1. **Batarya kartuşunu kullanmadan önce, tüm talimatları ve (1) batarya kartuşu, (2) batarya ve (3) ürün üzerindeki tüm uyarı işaretlerini okuyun.**
2. **Batarya kartuşunu parçalarına ayırmayın veya kuralamayın.** Yangın, aşırı ısı veya patlamaya neden olabilir.
3. **Çalışma süresi aşırı derecede kısalmışsa kullanmayı derhal bırakın. Aşırı ısınma, yanma riski hatta patlamaya neden olabilir.**
4. **Gözünüze elektrolit kaçarsa, gözlerinizi temiz suyla durulayın ve hemen tıbbi yardım alın. Görme kaybına yol açabilir.**
5. **Batarya kartuşuna kısa devre yaptırmayın:**
 - (1) **Terminallere herhangi bir iletken madde değdirmeyin.**
 - (2) **Batarya kartuşunu çiviler, madeni paralar, vb. gibi başka metal nesnelere aynı kaba koymaktan kaçının.**
 - (3) **Batarya kartuşunu yağmura ya da suya maruz bırakmayın.**

Kısa devre, büyük bir akım akışına, aşırı ısınmaya, olası yanıklara hatta bataryanın bozulmasına yol açabilir.
6. **Aleti ve batarya kartuşunu sıcaklığın 50 °C ya da daha yüksekçe ulaştığı yerlerde saklamayın ve kullanmayın.**
7. **Aşırı derecede hasar görmüş ya da tamamen kullanılamaz durumda olsa bile batarya**

8. **kartuşunu yakmayın. Batarya kartuşu ateşe atılırsa patlayabilir.**
8. **Batarya kartuşunu çivilemeyin, kesmeyin, ezmeyin, fırlatmayın, düşürmeyin ya da batarya kartuşuna sert bir nesne ile vurmayın.** Bu eylemler yangın, aşırı ısı veya patlamaya neden olabilir.
9. **Hasarlı bataryayı kullanmayın.**
10. **Aletin içerdiği lityum-iyon bataryalar Tehlikeli Eşyalar Yönetmeliğinin gereksinimlerine tabidir.** Ticari nakliye işlemleri için, örneğin üçüncü taraflar, nakliye acenteleri tarafından yapılan nakliyelerde, paketleme ve etiketleme gereksinimlerine uyulmalıdır. Nakliyesi yapılacak ürünün hazırlanması için, tehlikeli maddeler konusunda uzman bir kişiye danışın. Lütfen muhtemelen daha ayrıntılı olan ulusal yönetmeliklere de uyun. Açık kontakları bantlayın ya da maskeleyin ve bataryayı paketin içinde hareket etmeyecek şekilde paketleyin.
11. **Batarya kartuşunu bertaraf ederken aletten çıkarın ve güvenli bir yerde bertaraf edin. Bataryanın bertaraf edilmesi ile ilgili yerel düzenlemelere uyunuz.**
12. **Bataryaları sadece Makita tarafından belirtilen ürünlerle kullanın.** Bataryaların uyumsuz ürünlere takılması; yangın, aşırı ısınma, patlama ya da elektrolit sızıntısına neden olabilir.
13. **Alet uzun süre kullanılmıyacaksa batarya aletten çıkarılmalıdır.**
14. **Kullanma sırasında ve sonrasında batarya kartuşu ısınarak yanıklara veya düşük sıcaklık yanıklarına yol açabilir. Sıcak batarya kartuşları ile işlem yaparken dikkat edin.**
15. **Yanıklara neden olabilecek kadar sıcak olabileceğinden kullandıktan hemen sonra aletin terminaline dokunmayın.**
16. **Batarya kartuşunun terminallerine, deliklerine ve kanallarına mıcır, toz veya toprak girmesine izin vermeyin.** Aletin veya batarya kartuşunun ısınmasına, alev almasına, patlamasına ve arızalanmasına neden olarak yanıklara veya yaralanmaya yol açabilir.
17. **Alet yüksek gerilim elektrik güç hatlarında kullanımı desteklemediği sürece batarya kartuşunu yüksek gerilim elektrik güç hatlarının yakınında kullanmayın.** Aletin veya batarya kartuşunun arızalanmasına veya bozulmasına neden olabilir.
18. **Bataryayı çocuklardan uzak tutun.**

BU TALİMATLARI MUHAFAZA EDİNİZ.

⚠DİKKAT: Sadece orijinal Makita bataryalarını kullanın. Orijinal olmayan Makita bataryaları ya da üzerine değişiklik yapılmış bataryaların kullanımı bataryanın patlamasına ve sonuç olarak yangın, kişisel yaralanma ve hasara neden olabilir. Ayrıca Makita aleti ve şarj aletinin Makita tarafından sunulan garantisini geçersiz eder.

Maksimum batarya ömrü için

İpuçları

1. Batarya kartuşunu tamamen boşalmadan önce şarj edin. Aletin gücünün zayıflamaya başladığını fark ettiğinizde aleti durdurun ve batarya kartuşunu şarj edin.
2. Tam dolu bir batarya kartuşunu asla yeniden şarj etmeyin. Aşırı şarj etme bataryanın hizmet ömrünü kısaltır.
3. Batarya kartuşunu 10 °C - 40 °C oda sıcaklığında şarj edin. Sıcak bir batarya kartuşunu şarj etmeden önce soğumasını bekleyin.
4. Batarya kartuşunu kullanıyorken aletten veya şarj aletinden çıkarın.
5. Uzun bir süre (altı aydan daha fazla) kullanmadığınız durumlarda batarya kartuşunu şarj edin.

Kablosuz ünitesi için önemli güvenlik talimatları

1. Kablosuz ünitesini takarken yuva kapağını asla kendiniz açmayın.
2. Kablosuz ünitesini parçalarına ayırmayın veya kurcalamayın.
3. Kablosuz ünitesini küçük çocuklardan uzak tutun. Kazara yutulursa derhal tıbbi yardım alın.
4. Kablosuz ünitesini sadece Makita aletlerle kullanın.
5. Kablosuz ünitesini yağmura veya ıslak koşullara maruz bırakmayın.
6. Kablosuz ünitesini sıcaklığın 50 °C'yi aştığı yerlerde kullanmayın.
7. Kablosuz ünitesini, kalp pilleri gibi tıbbi cihazların yakınında bulunan yerlerde kullanmayın.
8. Kablosuz ünitesini, otomatik cihazların yakınında bulunan yerlerde kullanmayın. Kullanılırsa otomatik cihazlar arızalanabilir veya hata verebilir.
9. Kablosuz ünitesini, yüksek sıcaklık altındaki yerlerde veya statik elektrik veya elektrik gücünü üretebilecek yerlerde kullanmayın.
10. Kablosuz ünitesi elektromanyetik alanlar üretebilir ancak onlar kullanıcıya zararlı değildir.
11. Kablosuz ünitesi hassas bir cihazdır. Kablosuz ünitesini düşürmemeye veya çarpmamaya dikkat edin.
12. Kablosuz ünitesinin terminaline çıplak ellerle veya metalik malzemelerle dokunmaktan kaçının.
13. Kablosuz ünitesini ürüne takarken ürünün üzerindeki bataryayı mutlaka çıkarın.
14. Yuva kapağını açarken yuvaya toz ve suyun girebileceği yerlerden kaçının. Yuva girişini daima temiz tutun.
15. Kablosuz ünitesi her zaman doğru yönde takın.
16. Kablosuz ünitesinin üzerindeki kablosuz çalıştırma düğmesine çok sert basmayın ve/veya düğmeye keskin uçlu bir cisim ile basmayın.
17. Kullanırken yuva kapağını mutlaka kapatın.
18. Alete güç beslenirken kablosuz ünitesini yuvadan çıkarmayın. Aksi takdirde kablosuz ünitesi arızalanabilir.

19. Kablosuz ünitesinin üzerindeki etiketi çıkarmayın.
20. Kablosuz ünitesinin üzerine hiçbir etiket koymayın.
21. Kablosuz ünitesini, statik elektrik veya elektrik gücünü üretebilecek yerlerde bırakmayın.
22. Kablosuz ünitesini, güneşin altında duran bir araba gibi yüksek ısıya maruz yerlerde bırakmayın.
23. Kablosuz ünitesini, tozlu veya aşındırıcı gaz üretebilecek yerlerde bırakmayın.
24. Ani sıcaklık değişimleri kablosuz ünitesini nemlendirebilir. Nem tamamen kuruyana dek kablosuz ünitesini kullanmayın.
25. Kablosuz ünitesini temizlerken kuru yumuşak bir bezle nazikçe silin. Benzin, tiner, iletken gres veya benzeri maddeler kullanmayın.
26. Kablosuz ünitesini saklarken ürünle verilen kutusunda veya anti-statik bir kaptaki saklayın.
27. Alet üzerindeki yuvaya Makita kablosuz ünitesi dışında başka hiçbir aygıt sokmayın.
28. Aleti, yuvanın kapağı hasarlı iken kullanmayın. Yuvaya giren su, toz ve pislik arızaya neden olabilir.
29. Yuvanın kapağını gerekenden fazla çekmeyin ve/veya bükmeyin. Aletten çıkması durumunda kapağı yeniden takın.
30. Kaybolur veya hasar görürse kapağı değiştirin.

BU TALİMATLARI MUHAFAZA EDİNİZ.

İŞLEVSEL NİTELİKLER

⚠DİKKAT: Cihaz üzerinde ayarlama ya da işlev kontrolü yapmadan önce cihazın kapalı ve batarya kartuşlarının çıkarılmış olduğundan daima emin olun.

Batarya kartuşunun takılması ve çıkarılması

⚠DİKKAT: Batarya kartuşunu takmadan ya da çıkarmadan önce aleti daima kapatın.

⚠DİKKAT: Batarya kartuşunu takarken veya çıkarırken süpürgeyi ve batarya kartuşunu sıkıca tutun. Süpürgeyi ve batarya kartuşunun sıkıca tutulmaması bunların düşürülmesine sebep olabilir; süpürge ve batarya kartuşunun zarar görmesine ya da ciddi yaralanmalara yol açabilir.

⚠DİKKAT: Batarya kapağını açıp kapatırken parmaklarınızı sıkıştırmamaya dikkat edin. Bunun yapılmaması kişisel yaralanmalara sebep olabilir.

Batarya kartuşunu takmak için önce kilidi serbest bırakın ve ardından batarya kapağını açın. Ondan sonra batarya kartuşunu sokun.

► **Şek.1:** 1. Kilid 2. Batarya kapağı

Batarya kartuşu üstündeki dili yuvadaki olukla hizalayın ve yerine kaydırın. Hafif bir tık sesi duyulana kadar

itip yerine tam oturmasını sağlayın. Ardından, batarya kapağını kilitleyin.

► **Şek.2:** 1. Batarya kartuşu 2. Düğme

Batarya kartuşunu çıkarmak için, kartuşun ön tarafında bulunan düğmeyi kaydırarak batarya kartuşunu aletten çekerek ayırın.

⚠DİKKAT: Batarya kartuşunu daima tam olarak takın. Aksi takdirde, süpürge'nin üzerinden kazara düşerek sizin ya da çevrenizdekilerin yaralanmasına neden olabilir.

⚠DİKKAT: Batarya kartuşunu zorlayarak takmayın. Kartuş kolay bir şekilde kaymıyorsa doğru yerleştirilmemiş demektir.

NOT: Süpürge sadece bir batarya kartuşu ile çalışmaz.

Kalan batarya kapasitesinin gösterilmesi

Kalan batarya kapasitesini göstermesi için batarya kartuşu üzerindeki kontrol düğmesine basın. Gösterge lambaları birkaç saniye yanar.

► **Şek.3:** 1. Gösterge lambaları 2. Kontrol düğmesi

Gösterge lambaları			Kalan kapasite
Yanıyor	Kapalı	Yanıp sönmüyor	
■	□	▣	%75 ila %100
■ ■ ■ ■			
■ ■ ■	□		%50 ila %75
■ ■	□ □		%25 ila %50
■	□ □ □		%0 ila %25
▣	□ □ □		Bataryayı şarj edin.
■ ■ □ □			Batarya arızalanmış olabilir.
□ □ ■ ■			

NOT: Kullanım koşullarına ve ortam sıcaklığına bağlı olarak, gösterilen değer gerçek kapasiteden biraz farklılık gösterebilir.

NOT: İlk (en soldaki) gösterge lambası, batarya koruma sistemi çalıştığında yanıp söner.

Kumanda panelindeki batarya göstergeleri

Kalan batarya kapasitesi istenildiğinde kumanda panelinden okunabilir. Kontrol düğmesine basın, sol ve sağ göstergeler ilgili batarya şarj seviyelerini gösterir.

► **Şek.4:** 1. Sol batarya göstergesi 2. Sağ batarya göstergesi 3. Kontrol düğmesi

► **Şek.5**

Batarya göstergesi durumu			Kalan pil kapasitesi
Açık	Kapalı	Yanıp sönmüyor	
		▣	%50 ila %100
		▣	%20 ila %50
		▣	%0 ila %20
		▣	Bataryayı şarj edin
		▣	Batarya takılı değil

NOT: Batarya göstergesi iki batarya takıldığında çalışır.

NOT: Batarya göstergeleri süpürge çalışmaya başladığında da etkinleşir.

Cihaz/batarya koruma sistemi

Cihaz bir cihaz/batarya koruma sistemi ile donatılmıştır. Bu sistem cihaz ve batarya ömrünü uzatmak için motor gücünü otomatik olarak keser. Cihaz veya batarya için aşağıdaki durumlardan biri söz konusu olduğunda cihaz çalışma sırasında otomatik olarak durur:

Aşırı yük koruması

Cihaz/batarya, anormal derecede yüksek akım çekmesine neden olacak şekilde kullanıldığında, cihaz otomatik olarak durur. Bu durumda cihazı kapatın ve cihazın aşırı yüklenmesine neden olan uygulamayı kesin. Ardından cihazı açarak yeniden çalıştırın.

Aşırı ısınma koruması

Açık	Yanıp sönmüyor
▣	▣

Cihaz aşırı ısındığında otomatik olarak durur ve hem sol hem de sağ batarya göstergeleri yanıp söner. Bu durumda, yeniden çalıştırmadan önce cihazın soğumasını bekleyin ve filtreleri temizleyin.

Açık	Yanıp sönmüyor
▣	▣

Batarya aşırı ısındığında cihaz otomatik olarak durur ve aşırı ısınan bataryanın göstergelerinden biri yanıp söner. Bu durumda, cihazı yeniden çalıştırmadan önce bataryanın soğumasını bekleyin.

Aşırı deşarj koruması

Batarya kapasitesi düştüğünde cihaz otomatik olarak durur. Cihaz, anahtar kullanımı ile çalışmazsa bataryaları cihazdan çıkarın ve şarj edin.

Diğer nedenlere karşı korumalar

Koruma sistemi, cihazı zarar verebilecek diğer nedenler için de tasarlanmıştır ve cihazın otomatik olarak durmasını sağlar. Cihaz çalışırken geçici duraklama ve durma yaparsa nedenleri ortadan kaldırmak için aşağıdaki tüm adımları uygulayın.

1. Cihazı kapatın ve ardından tekrar açarak yeniden çalıştırın.
2. Bataryaları şarj edin veya şarjlı bataryalarla değiştirin.
3. Cihazın ve bataryaların soğumasını bekleyin.

Koruma sistemi eski haline getirilerek ilerleme kaydedilemezse yerel Makita Servis Merkezimize başvurun.

Anahtar işlemleri

Süpürgeyi açma

1. Süpürgeyi bekletme modunda hazır hale getirmek için hazırda bekletme anahtarını "I" (Açık) veya "AUTO" (Açık) konumuna alın.
2. Açma kapama düğmesine basın. Hazırda bekletme moduna geri almak için, açma kapama düğmesine tekrar basın.

Süpürgeyi kapatma

Aşağıdaki adımlardan birini uygulayın.

- Süpürgeyi yeniden hazırda bekletme moduna almak için açma kapama düğmesine basın.
- Hazırda bekletme anahtarını "O" (Kapalı) konumuna getirin.

Emme gücünü ayarlama

Emme gücü yaptığınız işin gereksinimine göre ayarlanabilir.

- Emme gücünü azaltmak için emme gücü ayarlama düğmesini sola çevirin.
- Emme gücünü artırmak için emme gücü ayarlama düğmesini sağa çevirin.

- **Şek.6:** 1. Hazırda bekletme anahtarı 2. Emme gücü ayarlama düğmesi 3. Açma kapama düğmesi

ÖNEMLİ NOT: Süpürgeyi uzun süre kullanmayacaksanız hazırda bekletme anahtarını daima "O" konumuna ayarlayın. Süpürge hazırda bekletme durumundayken güç harcar.

Islak emme işlemi sırasında otomatik emiş durdurma işlevi

UYARI: Köpük veya sabunlu sıvıları süpürgeye çekmeyin. Hava çıkışından köpük çıkmasına neden olabilir. Bu koşullarda kullanmaya devam etmek elektrik çarpmasına ve süpürgenin bozulmasına neden olabilir.

Süpürgenin, belli bir miktarın üzerinde su çekildiğinde motorun içine su girmesini önleyen bir mekanizması vardır.

Hazne sıvı ile dolu olduğunda süpürge otomatik olarak durur. Süpürgeyi kapatın ve hazneyi boşaltın.

Filtre temizleme sistemi

Bu cihazda filtre temizleme sistemi bulunmaktadır. Cihaz kullanılırken filtrelerin tıkanması nedeniyle emme gücünün düşmesini önlemek için filtre temizleme sistemi otomatik olarak filtrelerin tozunu alır.

Cihaz büyük miktarda tozun hepsini tek seferde çekerse emme gücü düşebilir. Bu durumda manuel filtre temizliği önerilir.

1. Cihazı kapatın.
 2. Emme gücünü maksimuma ayarlayın ve ardından emme hortumu deliğini avucunuzla kapatın.
 3. Cihazı açın ve emme hortumu deliği kapalı durumda yaklaşık 15 saniye çalıştırın.
- **Şek.7:** 1. Emme hortumu deliği

NOT: Filtre temizleme sistemi devreye girdiğinde hava hacmi değişebilir ancak bu bir arıza değildir.

Su tahliyesi

Hazne sıvı ile dolu olduğunda süpürgeyi kapatın ve hazneyi boşaltmak için su tahliye kapağını açın.

- **Şek.8:** 1. Su tahliye kapağı

Tekerlekleri kilitleme ve serbest bırakma

Süpürgenin sabit durmasını sağlamak için ön tekerlekler durdurucularla kilitlenebilir.

Durdurucu mandalı tekerleği kilitlemek için elle indirin, serbest bırakmak için kaldırın.

- **Şek.9:** 1. Tekerlek 2. Durdurucu mandal 3. SERBEST konum 4. KİLİTLİ konum

NOT: Süpürgeyi hareket ettirirken tekerleğin kilitleti olmadığını emin olun. Süpürgeyi tekerlek kilitleti konumda hareket ettirmek tekerleğe zarar verebilir.

Taşıma sapı

⚠DİKKAT: Cihazı gerekli özeni göstererek kaldırın ve taşıyın. Aksi takdirde yaralanmaya veya cihazda hasara neden olabilir.

Süpürgeyi taşıırken, kafa ünitesindeki sapından tutarak taşıyın. Kullanılmadığı zaman bu sap kafa ünitesinde geri çekilebilir.

- **Şek.10**

Cihazı tek başınıza taşımakta zorlanırsanız şekilde gösterildiği gibi iki kişiyle taşıyın.

- **Şek.11**

- **Şek.12**

MONTAJ

⚠DİKKAT: Cihaz üzerinde herhangi bir iş yapmadan önce cihazın kapalı ve batarya kartuşlarının çıkarılmış olduğundan daima emin olun.

⚠DİKKAT: Montaj veya bakım sırasında daima toz maskesi takın.

Filtre torbasının takılması ve atılması

İsteğe bağlı aksesuar

⚠UYARI: Bir filtre torbası kullanmadan önce filtre ünitesinin birlikte kullanıldığından emin olun. Filtre ünitesinin birlikte kullanılmaması anormal gürültü ve ısıya neden olabilir, yangına sonuçlanabilir.

ÖNEMLİ NOT: Bir filtre torbası kullanırken asla su veya başka sıvıları ya da ıslak tozları çekmeyin. Bunların çekilmesi filtre torbasının bozulmasına neden olabilir.

1. Kilitleme kancalarını açın ve kafa ünitesini hazneden kaldırarak çıkarın.
▶ **Şek.13:** 1. Kilitleme kancası
2. Bir filtre torbasını açın.
3. Filtre torbasının ağzını haznenin toz girişi ile hizalayın.
4. Filtre torbasının karton kısmını, kilitli çıkıntının gerisindeki uç kısma oturacak şekilde alete yerleştirin.
▶ **Şek.14:** 1. Filtre torbası 2. Karton ağız 3. Filtre torbası tutucu 4. Toz girişi 5. Kenar

Filtre torbasını atarken filtre torbası ağzının üzerindeki kenarı çekerek ağzın bir kağıtla kapanmasını sağlayın.

Polietilen torbayı takma

Polietilen torbayı haznenin üzerine örtün ve torbanın açık ucunda üst kenarının bir tarafını haznenin tutucu plakası ile ön cidarı arasına sokun.

Ardından torbanın diğer üst kenarlarını haznenin üst kenarlarının üzerinden dışarı doğru yayın. Polietilen torba filtre torbası ile kullanılabilir.

- ▶ **Şek.15:** 1. Tutucu plaka 2. Haznenin ön cidarı 3. Polietilen torba

NOT: Piyasada bulunan polietilen torbalar kullanılabilir. Kalınlığı 0,04 mm üzerinden ve çevresi 2.000 mm üzerinde olan önerilir.

NOT: Çok fazla toz polietilen torbayı kolayca yırtar, bu yüzden torbayı aşırı doldurmayın. Ağır torbanın atılması insan vücudu üzerinde yük oluşturabilir.

Polietilen torbalı hazneyi boşaltma

⚠UYARI: Hazneyi boşaltmadan önce süpürge'nin kapalı ve batarya kartuşlarının çıkarılmış olduğundan daima emin olun. Aksi takdirde elektrik çarpmasına ve ciddi yaralanmalara sebep olabilir.

ÖNEMLİ NOT: Hazneyi en azından günde bir kez boşaltın, yine de bu durum haznede biriken toz miktarına bağlı olarak değişebilir. Aksi takdirde emiş gücü azalabilir ve motor bozulabilir.

ÖNEMLİ NOT: Hazneyi boşaltırken kilitleme kancalarını tutmayın. Kilitleme kancalarının tutulması kırılmalarına neden olabilir.

1. Kilitleme kancalarını açın ve kafa ünitesini hazneden kaldırarak çıkarın.
2. Polietilen torbayı, torbanın ağzını elinizle kapatarak hazneden çıkarın.
▶ **Şek.16:** 1. Polietilen torba 2. Hazne

NOT: Haznenin içindeki kenarların çizmesini ve yırtmasını engellemek için polietilen torbayı hazneden dikkatlice çıkarın.

NOT: Polietilen torbayı dolmadan önce boşaltın. Haznede çok fazla toz birikmesi polietilen torbanın yırtılmasına neden olabilir.

Hortumu takma

ÖNEMLİ NOT: Hortumu zorlayarak bükmeye veya ezmeye çalışmayın. Süpürgeyi asla hortumundan tutarak taşımayın. Hortumu zorlamak, ezmek veya çekmek hortumun kırılmasına veya deforme olmasına neden olabilir.

ÖNEMLİ NOT: Planya döküntüleri, inşaat tozları gibi büyük atıkları veya bunlara benzeyen, küçük sayılamayacak atıkları çekerken 38 mm iç çaplı hortumu (isteğe bağlı aksesuar) kullanın. 28 mm iç çaplı hortumun (isteğe bağlı aksesuar) kullanılması hortumun tıkanmasına ve zarar görmesine neden olabilir.

Süpürge bağlantısı

Hortumun ucunu süpürge'nin toz girişine (hortum girişi) takın, ardından yerine kilitlenene kadar saat yönünde çevirin.

- ▶ **Şek.17:** 1. Hortum 2. Toz girişi (hortum girişi)

İş aletleriyle bağlantılar (Ülkeye özgü)

Elektrikli süpürge, süpürge ile uyumlu mevcut herhangi bir iş aletine bağlandığında elektrikli aletiniz için bir toz çekici olarak çalışır.

Aletinizin modeline en uygun ön manşet veya rakorlardan (isteğe bağlı aksesuarlar) birini seçin. Süpürge hortumunun ön ucu ile aletinizin toz çekme ağzının arasına gereken şekilde manşet veya rakor yerleştirin.

- ▶ **Şek.18:** 1. Ön manşet veya rakor 2. Süpürge hortumu 3. Elektrikli alet 4. Elektrikli süpürge

Süpürge ek parçalarını takma veya çıkarma

⚠DİKKAT: Bir ek parça taktıktan sonra sıkıca takılıp takılmadığını kontrol edin. Ek parça kusurlu takılırsa çıkarak yaralanmaya neden olabilir.

Kilitleme işlevsiz ek parça kullanırken

İsteğe bağlı aksesuar

Ek parçayı süpürgecinin emme ağzına ittirip elinizle yerine vidalayarak takın. Kullandıktan sonra ek parçayı çevirerek emme ağzından çekip çıkarın.

► Şek.19

MAKPAC'in takılması

İsteğe bağlı aksesuar

⚠DİKKAT: Cihazın üzerinde durmayın veya üzerine oturmayın. Dengesizlik nedeniyle düşebilir.

⚠DİKKAT: MAKPAC'i takarken işlemlere dikkat edin. Aksi takdirde yaralanmaya veya cihazda hasara neden olabilir.

⚠DİKKAT: MAKPAC cihaza takıldığında cihazı MAKPAC'in sapıyla kaldırmayın.

⚠DİKKAT: MAKPAC takılı cihazı taşırken MAKPAC'i değil, cihazın gövdesini ittirin. MAKPAC'in ittirilmesi mandalları kırabilir ve MAKPAC'i düşürebilir, bu da yaralanmaya neden olabilir.

Takılabilir ve istiflenebilir MAKPAC depolama çantaları süpürgecinin üst kısmına takılabilir. Çantalar tercihlerinize uyacak şekilde pek çok boyutta ve tarzda mevcuttur.

1. Süpürgecinin üst yüzeyindeki mandalları açın.

► Şek.20: 1. Mandal

2. MAKPAC çantaları süpürgecinin üst kısmına takın ve mandallarla sabitleyin.

► Şek.21: 1. Mandal 2. MAKPAC

Maksimum MAKPAC takma yüksekliği ve ağırlığı sırasıyla 315 mm ve 20 kg'dır.

► Şek.22

KABLOSUZ ÇALIŞTIRMA İŞLEVİ

İsteğe bağlı aksesuar

Kablosuz çalıştırma işlevi ile yapabilecekleriniz

Kablosuz çalıştırma işlevi temiz ve rahat kullanım sağlar. Süpürgeye desteklenen bir alet bağlayarak süpürgeyi aletin anahtarla çalıştırılması ile birlikte çalıştırabilirsiniz.

► Şek.23

ÖNEMLİ NOT: Süpürgeyi kablosuz çalıştırma işlevi ile kullanırken mutlaka aletin kullanma kılavuzuna bakın.

ÖNEMLİ NOT: Kablosuz ünitesini parçalarına ayırmayın veya kurcalamayın.

ÖNEMLİ NOT: Kablosuz ünitesi yuvasına toz girmesini engellemek için kullanma ve depolama sırasında kapağı daima sıkıca kapatın.

ÖNEMLİ NOT: Kablosuz çalıştırma düğmesine çok sert basmayın ve/veya düğmeye keskin uçlu bir cisim ile basmayın.

NOT: Kablosuz çalıştırma, kablosuz ünitesi ile donatılmış Makita aletler gerektirir.

NOT: Kablosuz çalıştırma işlevini her aletle ilk kez kullanmadan önce alet kaydı gerekir. Aletle kayıt tamamlandığında iptal edilmediği sürece tekrar kayıt gerekmez.

NOT: Kayıttan önce kablosuz ünitesinin düzgün bir şekilde takıldığından emin olun.

NOT: Bir kablosuz ünitesi başka kablosuz üniteleriyle 10'a kadar bağlantı kaydı yapabilir. Bir kablosuz ünitesine 10'dan fazla başka kablosuz ünitesi kayıt edilirse en önce kaydedilen otomatik olarak iptal edilir.

NOT: Kablosuz çalıştırma düğmesinin konumu alete göre değişiklik gösterir.

NOT: Süpürge, hazırda bekletme anahtarı "AUTO" (Oto) konumundayken açma kapama düğmesine basılarak da çalışır.

Ancak, kablosuz çalıştırma işlevi kullanılırken açma kapama düğmesi çalışmaz.

Kablosuz ünitesinin takılması

⚠UYARI: Yalnızca kablosuz ünitesini ilk kez takarken kapağı açın. Taktıktan sonra kapağı asla açmayın.

⚠DİKKAT: Kablosuz ünitesini takarken süpürgeyi düz ve dengeli bir zemine yerleştirin.

ÖNEMLİ NOT: Kablosuz ünitesini takmadan önce süpürgecinin üzerindeki toz ve kiri temizleyin. Toz veya kir, kablosuz ünitesinin yuvasına girerse arızaya neden olabilir.

ÖNEMLİ NOT: Statik elektrik kaynaklı arızaları engellemek için kablosuz ünitesini almadan önce metal parça gibi statik deşarj özellikli bir materyale dokununuz.

ÖNEMLİ NOT: Kablosuz ünitesini takarken kablosuz ünitesinin doğru yönde sokulduğundan ve kapağın tamamen kapatıldığından mutlaka emin olun.

1. Şekilde gösterildiği gibi süpürgecinin üzerindeki kapağı açmak için vidayı gevşetin.

► Şek.24: 1. Kapak 2. Vida

2. Kablosuz ünitesini yuvaya sokun.

Kablosuz ünitesini sokarken çıkıntıları yuva üzerindeki girintili kısımlarla hizalayın.

► Şek.25: 1. Kablosuz ünitesi 2. Çıkıntı 3. Kapak

4. Girintili kısım

3. Kapağı kapatmak için vidayı sonuna kadar sıkın.

Süpürge için alet kaydı

NOT: Alet kaydı için kablosuz çalıştırma işlevini destekleyen bir Makita alet gerekir.

NOT: Alet kaydına başlamadan önce kablosuz ünitesini alete takmayı bitirin.

NOT: Alet kaydı sırasında aletin üzerindeki anahtar tetiği çekmeyin veya süpürge üzerindeki güç düğmesini açmayın.

NOT: Aletin kullanma kılavuzuna da bakın.

Süpürgeyi aletin anahtarla çalıştırılması ile birlikte çalıştırmak isterseniz önceden alet kaydını tamamlayın.

1. Kablosuz ünitelerini sırasıyla süpürge ve alete takın.

2. Süpürge ve alete bataryaları takın.

3. Süpürge üzerindeki hazırda bekletme anahtarını "AUTO" (Oto) konumuna alın.

► **Şek.26:** 1. Hazırda bekletme anahtarı

4. Kablosuz çalıştırma lambası yeşil yanıp sönene kadar süpürge üzerindeki kablosuz çalıştırma düğmesine 3 saniye süreyle basın. Daha sonra aletin üzerindeki kablosuz çalıştırma düğmesine aynı şekilde basın.

► **Şek.27:** 1. Kablosuz çalıştırma düğmesi
2. Kablosuz çalıştırma lambası

Süpürge ve alet başarıyla birbirlerine bağlanırsa kablosuz çalıştırma lambaları 2 saniye süreyle yeşil yanar ve mavi yanıp sönmeye başlar.

NOT: Kablosuz çalıştırma lambaları 20 saniye geçtikten sonra yeşil yanıp sönmeyi keser. Süpürge üzerindeki kablosuz çalıştırma lambası yanıp sönerken aletin üzerindeki kablosuz çalıştırma düğmesine basın. Kablosuz çalıştırma lambası yeşil yanıp sönmeye kablosuz çalıştırma düğmesine kısa süreli basın ve tekrar basılı tutun.

NOT: Süpürge için iki veya daha fazla alet kaydı yaparken alet kaydını birer birer tamamlayın.

Kablosuz çalıştırma işlevinin başlatılması

NOT: Kablosuz çalıştırma için süpürgede alet kaydını tamamlayın.

NOT: Süpürgeyi daima, kablosuz çalıştırma lambasının durumunu görebilecek şekilde yerleştirin.

NOT: Aletin kullanma kılavuzuna da bakın.

Süpürgeye bir aleti kaydettikten sonra süpürge, aletin anahtarla çalıştırılması ile birlikte otomatik olarak çalışır.

1. Kablosuz ünitelerini sırasıyla süpürge ve alete takın.

2. Süpürge ve alete bataryaları takın.

3. Süpürge üzerindeki hazırda bekletme anahtarını "AUTO" (Oto) konumuna alın.

► **Şek.28**

4. Süpürge üzerindeki hazırda bekletme anahtarını "AUTO" (Oto) konumuna alın.

► **Şek.29:** 1. Hazırda bekletme anahtarı

5. Aletin üzerindeki kablosuz çalıştırma düğmesine kısa süreyle basın. Kablosuz çalıştırma lambası mavi yanıp söner.

► **Şek.30:** 1. Kablosuz çalıştırma düğmesi
2. Kablosuz çalıştırma lambası

6. Aleti açın. Alet çalışırken süpürge üzerindeki hazırda bekletme anahtarını "I" veya "O" konumuna alın.

▲ DİKKAT: Aletle çalışmaya başlamadan önce kablosuz çalıştırma işlevinin çalıştığını daima kontrol edin.

Kablosuz çalıştırmayı durdurmak için aletin üzerindeki kablosuz çalıştırma düğmesine basın veya süpürge üzerindeki hazırda bekletme anahtarını "I" veya "O" konumuna alın.

NOT: Alet üzerindeki kablosuz çalıştırma lambası, 2 saat süreyle işlem yapılmazsa mavi yanıp sönmeyi keser. Bu durumda süpürge üzerindeki hazırda bekletme anahtarını "AUTO" (Oto) konumuna alın ve aletin üzerindeki kablosuz çalıştırma düğmesine tekrar basın.

NOT: Süpürge bir gecikmeyle başlar/durur. Süpürge, aletin anahtarla çalıştırıldığını algıladığında bir gecikme söz konusu olur.

NOT: Kablosuz ünitesinin iletim mesafesi konum ve çevre şartlarına bağlı olarak değişebilir.

NOT: Tek bir süpürgeye iki veya daha fazla alet kaydedildiğinde başka bir kullanıcı kablosuz çalıştırma işlevini kullandığından aleti açmasanız bile süpürge çalışmaya başlayabilir.

Süpürge için alet kaydının iptal edilmesi

Süpürge için alet kaydını iptal ederken aşağıdaki prosedürü uygulayın.

1. Kablosuz ünitelerini sırasıyla süpürge ve alete takın.

2. Süpürge ve alete bataryaları takın.

3. Süpürge üzerindeki hazırda bekletme anahtarını "AUTO" (Oto) konumuna alın.

► **Şek.31:** 1. Hazırda bekletme anahtarı

4. Süpürge üzerindeki kablosuz çalıştırma düğmesine 6 saniye süreyle basın. Kablosuz çalıştırma lambası yeşil yanıp söner ve daha sonra kırmızı olur. Ondandan sonra aletin üzerindeki kablosuz çalıştırma düğmesine aynı şekilde basın.

► **Şek.32:** 1. Kablosuz çalıştırma düğmesi
2. Kablosuz çalıştırma lambası

İptal başarıyla yapılırsa kablosuz çalıştırma lambaları 2 saniye süreyle kırmızı yanar ve mavi yanıp sönmeye başlar.

NOT: Kablosuz çalıştırma lambaları 20 saniye geçtikten sonra kırmızı yanıp sönmeyi keser. Süpürge üzerindeki kablosuz çalıştırma lambası yanıp sönerken aletin üzerindeki kablosuz çalıştırma düğmesine basın. Kablosuz çalıştırma lambası kırmızı yanıp sönmeye kablosuz çalıştırma düğmesine kısa süreli basın ve tekrar basılı tutun.

Tüm alet kayıtlarının silinmesi

Tüm alet kayıtlarını süpürgeден şu şekilde silebilirsiniz.

- **Şek.33:** 1. Hazırda bekleme anahtarı 2. Kablosuz çalıştırma düğmesi 3. Kablosuz çalıştırma lambası
1. Kablosuz ünitesini süpürgeye takın.
 2. Süpürgeye bataryaları takın.
 3. Hazırda bekleme anahtarını "AUTO" (Oto) konumuna alın.
 4. Kablosuz çalıştırma lambası kırmızı yanıp sönmeye kadar (saniyede yaklaşık iki kez) kablosuz çalıştırma

düğmesini yaklaşık 6 saniye basılı tutun.

5. Kablosuz çalıştırma lambası kırmızı yanıp sönmeye başladığında parmağınızı kablosuz çalıştırma düğmesinden çekin. Ondan sonra kablosuz çalıştırma düğmesini yeniden yaklaşık 6 saniye basılı tutun.











6. Kablosuz çalıştırma lambası hızlı bir şekilde (saniyede yaklaşık 5 kez) kırmızı yanıp sönmeye başladığında parmağınızı kablosuz çalıştırma düğmesinden çekin. Kablosuz çalıştırma lambası kırmızı yanıp sönmeye başladığında tüm alet kayıtları silinir.

NOT: Kablosuz çalıştırma lambası kırmızı yanıp sönmeye başladığında kablosuz çalıştırma düğmesine kısa süreli basın ve tekrar deneyin.

Kablosuz çalıştırma lambası durumunun açıklanması

- **Şek.34:** 1. Kablosuz çalıştırma düğmesi
2. Kablosuz çalıştırma lambası

Kablosuz çalıştırma lambası kablosuz çalıştırma işlevinin durumunu gösterir. Lamba durumunun anlamı için aşağıdaki tabloya bakın.

Durum	Kablosuz çalıştırma lambası			Açıklama
	Renk	 Kapalı	 Yanıp sönmüyor	
Beklemede	Mavi		Süpürge: devamlı Alet: 2 saat	Alet kaydı için bekleniyor veya kablosuz çalıştırma işlevi kullanılabilir. Süpürge üzerindeki lamba, hazırda bekleme anahtarı "AUTO" (Oto) konumundayken yanıp söner. Aletin üzerindeki lamba, kablosuz çalıştırma düğmesine basıldığında yanıp söner. 2 saat süreyle işlem yapılmazsa aletin üzerindeki lamba otomatik olarak söner.
			Alet çalışırken.	Süpürgeyi kablosuz çalıştırılması kullanılabilir ve alet çalışıyor.
Alet kaydı	Yeşil		20 saniye	Alet kaydı için hazır. Kaydedilecek alet aranıyor.
			2 saniye	Alet kaydı tamamlandı. Kablosuz çalıştırma lambası mavi yanıp sönmeye başlar.
Alet kaydının iptal edilmesi/ silinmesi	Kırmızı	 (yavaş: 2 kez/san.)	20 saniye	Alet kaydının iptali için hazır. İptal edilecek alet aranıyor.
		 (hızlı: 5 kez/san.)	Kablosuz çalıştırma düğmesine basıldığında.	Tüm alet kayıtlarını silmek için hazır.
			2 saniye	Alet kaydı iptal edildi/silinildi. Kablosuz çalıştırma lambası mavi yanıp sönmeye başlar.
Diğer	Kırmızı		3 saniye	Kablosuz ünitesine güç besleniyor ve kablosuz çalıştırma işlevi başlıyor.
		Kapalı	-	-

Kablosuz çalıştırma işlevi için sorun giderme

Onarım için servise gitmeden önce kontrolleri yapın. Kılavuzda açıklanmayan bir problemle karşılaşırsanız aleti demonte etmeyin. Bunun yerine, Makita Yetkili Servis Merkezlerine başvurun ve daima orijinal Makita yedek parçaları kullanın.

Anormal durum	Olası nedeni (arıza)	Çözümü
Kablosuz çalıştırma lambası yanmıyor/yanıp sönmüyor.	Kablosuz ünitesi süpürgeye ve/veya alete takılmamış. Kablosuz ünitesi süpürgeye ve/veya alete hatalı takılmış.	Kablosuz ünitesini doğru takın.
	Aletin üzerindeki kablosuz çalıştırma düğmesine basılmamış.	Aletin üzerindeki kablosuz çalıştırma düğmesine kısa süreyle basın.
	Süpürge üzerindeki hazırda bekleme anahtarı "AUTO" (Oto) konumuna alınmamış.	Süpürge üzerindeki hazırda bekleme anahtarını "AUTO" (Oto) konumuna alın.
	Güç beslemesi yok	Alete ve süpürgeye güç besleyin.
Alet kaydı / alet kaydı iptali başarıyla tamamlanamıyor.	Kablosuz ünitesi süpürgeye ve/veya alete takılmamış. Kablosuz ünitesi süpürgeye ve/veya alete hatalı takılmış.	Kablosuz ünitesini doğru takın.
	Süpürge üzerindeki hazırda bekleme anahtarı "AUTO" (Oto) konumuna alınmamış.	Süpürge üzerindeki hazırda bekleme anahtarını "AUTO" (Oto) konumuna alın.
	Güç beslemesi yok	Alete ve süpürgeye güç besleyin.
	Hatalı çalışma	Kablosuz çalıştırma düğmesine kısa süreyle basın ve alet kaydı/iptal prosedürlerini yeniden uygulayın.
	Alet ve süpürge birbirlerinden uzakta (iletim aralığının dışında).	Aleti ve süpürgeyi birbirlerine yaklaştırmın. Maksimum iletim mesafesi yaklaşık 10 m'dir, ancak şartlara bağlı olarak değişebilir.
	Alet kaydını/iptalini tamamlamadan önce; - aletin anahtarı açılıyor veya; - süpürge üzerindeki güç düğmesi açılıyor.	Kablosuz çalıştırma düğmesine kısa süreyle basın ve alet kaydı/iptal prosedürlerini yeniden uygulayın.
	Alet veya süpürge için alet kaydı prosedürleri tamamlanmamış.	Alet ve süpürge için alet kaydı prosedürlerini aynı zamanda uygulayın.
	Yüksek güçte radyo dalgaları üreten diğer cihazlardan radyo paraziti.	Aleti ve süpürgeyi, Wi-Fi cihazları ve mikrodalga fırınlar gibi cihazlardan uzak tutun.
Süpürge, aletin anahtarla çalıştırılması ile birlikte çalışmıyor.	Kablosuz ünitesi süpürgeye ve/veya alete takılmamış. Kablosuz ünitesi süpürgeye ve/veya alete hatalı takılmış.	Kablosuz ünitesini doğru takın.
	Aletin üzerindeki kablosuz çalıştırma düğmesine basılmamış.	Kablosuz çalıştırma düğmesine kısa süreli basın ve kablosuz çalıştırma lambasının mavi yanıp söndüğünü kontrol edin.
	Süpürge üzerindeki hazırda bekleme anahtarı "AUTO" (Oto) konumuna alınmamış.	Süpürge üzerindeki hazırda bekleme anahtarını "AUTO" (Oto) konumuna alın.
	Süpürgeye 10'dan fazla alet kayıtlı.	Alet kaydını yeniden yapın. Süpürgeye 10'dan fazla alet kaydedilir ise ilk kaydedilen alet otomatik olarak iptal edilir.
	Süpürge tüm alet kayıtlarını silmiş.	Alet kaydını yeniden yapın.
	Güç beslemesi yok	Alete ve süpürgeye güç besleyin.
	Alet ve süpürge birbirlerinden uzakta (iletim aralığının dışında).	Aleti ve süpürgeyi birbirlerine yaklaştırmın. Maksimum iletim mesafesi yaklaşık 10 m'dir, ancak şartlara bağlı olarak değişebilir.
	Yüksek güçte radyo dalgaları üreten diğer cihazlardan radyo paraziti.	Aleti ve süpürgeyi, Wi-Fi cihazları ve mikrodalga fırınlar gibi cihazlardan uzak tutun.
Alet çalışmıyorken süpürge çalışıyor.	Diğer kullanıcılar, süpürgeyi kablosuz çalıştırılmasını kendi aletleriyle kullanıyor.	Diğer aletlerin kablosuz çalıştırma düğmesini kapatın veya diğer aletlerin alet kaydını iptal edin.

Anormal durum	Olası nedeni (arıza)	Çözümü
Süpürgedeki tüm alet kayıtları silinmiyor.	Aletin üzerindeki kablosuz düğmesine basılması.	Tüm alet kayıtlarını silmek için süpürge üzerindeki kablosuz düğmesine basın.
	Süpürge üzerindeki hazırda bekletme anahtarı "AUTO" (Oto) konumuna alınmamış.	Süpürge üzerindeki hazırda bekletme anahtarını "AUTO" (Oto) konumuna alın.
	Kablosuz çalıştırma düğmesi düzgün bir şekilde basılı tutulmuyor.	Kablosuz çalıştırma düğmesini en az 6 saniye basılı tutun ve daha sonra kablosuz çalıştırma lambası kırmızı yanıp söndüğünde bırakın. Kablosuz çalıştırma düğmesi hızlı bir şekilde kırmızı yanıp sönene kadar kablosuz çalıştırma düğmesini yeniden en az 6 saniye basılı tutun ve daha sonra düğmeyi bırakın.

BAKIM

⚠ DİKKAT: Kontrol ya da bakım yapmadan önce cihazın kapalı ve batarya kartuşlarının çıkarılmış olduğundan daima emin olun.

ÖNEMLİ NOT: Benzin, tiner, alkol ve benzeri maddeleri kesinlikle kullanmayın. Renk değişimi, deformasyon veya çatlaklar oluşabilir.

Aleti EMNİYETLİ ve ÇALIŞMAYA HAZIR durumda tutmak için onarımlar, başka her türlü bakım ve ayarlamalar daima Makita yedek parçaları kullanılarak Makita yetkili servis merkezleri veya Fabrikanın Servis Merkezleri tarafından yapılmalıdır.

Filtre ünitesinin çıkarılması

⚠ DİKKAT: Haznedeki tozun tamamen çökmesi için yaklaşık 5 dakika bekleyin.

⚠ DİKKAT: Filtre ünitesini çıkarırken hazne kapağının içine toz girmemesine dikkat edin.

Filtre ünitesi kafa ünitesinin üzerine takılır. Üst plaka, ön filtreler, tamponlar ve toz filtrelerinden oluşur.

1. Kilitleme kancalarını açın ve kafa ünitesini haznedan kaldırarak çıkarın.
2. Şekilde gösterildiği gibi filtre ünitesini kafa ünitesinden çıkarın.

► **Şek.35:** 1. Mandal 2. Filtre ünitesi

Toz filtresinin ve ön filtrenin çıkarılması

Düğmeden tutarak filtreleri üst plakadan çıkarın.

► **Şek.36:** 1. Üst plaka 2. Filtreler 3. Düğme

Tozların havada uçuşmasını engellemek için filtrelerin polietilen torba içinde çıkarılması tercih edilir. Temizlemek için filtre ünitesini taşıırken polietilen torbayı sıkıca bağlayın.

► **Şek.37:** 1. Filtre ünitesi 2. Polietilen torba

► **Şek.38:** 1. Üst plaka 2. Filtreler 3. Polietilen torba

Toz filtresinin, ön filtrenin ve tamponun temizlenmesi

Filtreleri ve tamponu belli aralıklarla temizleyin. Tıkalı filtreler ve tampon düşük emme performansına neden olabilir.

Filtrelerin ve tamponun biriken tozunu düzenli olarak temizleyin.

Toz filtresini, ön filtreyi ve tamponu belirli aralıklarla suyla yıkayıp durulayın ve kullanmadan önce gölgede tamamen kurutun. Bunları asla çamaşır makinesinde yıkamayın.

► **Şek.39**

NOT: Toz filtresini, ön filtreyi ya da tamponu fırça veya palet gibi sert nesnelere temas ettirmeyin veya çizmeyin.

NOT: Filtreler zamanla aşınır. Yedeklerinin bulunduğu yerde tavsiye edilir.

Toz filtresinin ve ön filtrenin takılması

ÖNEMLİ NOT: Toz filtresi ve ön filtre hem kuru hem de ıslak tozları çekebilir. Toz filtresinin bozulmasını önlemek için su seviyesi sensörlerinin düzgün çalıştığından emin olun.

Filtre ünitesinin kenarlarını üst plakaya geçirin ve ardından düğmeyi indirin.

► **Şek.40:** 1. Kenar 2. Düğme

ÖNEMLİ NOT: Toz filtresini kullanmadan önce, ön filtre ve tamponun birlikte kullanıldığından daima emin olun. Toz filtresinin tek başına takılmasına izin verilmemelidir.

Filtrelerin birleştirilmesi

Filtreleri ayrı ayrı aldığınızda bunları şekilde gösterildiği gibi birleştirin.

► **Şek.41:** 1. Toz filtresi 2. Tampon 3. Ön filtre

Filtre ünitesinin takılması

Filtreleri üst plakaya taktıktan sonra filtre ünitesinin deliklerini iç kapağın U şeklindeki kısımlarına geçirin. Ardından şekilde gösterildiği gibi mandalı kilitleyin.

► **Şek.42:** 1. U şeklindeki kısım 2. Delik 3. Mandal

Su filtresini takma

İsteğe bağlı aksesuar

ÖNEMLİ NOT: Islak toz çekmek için su seviyesi sensörlerinin düzgün çalıştığından emin olun.

ÖNEMLİ NOT: Su filtresi kullanırken ön filtre ve tampon kullanmayın.

Sadece su veya ıslak tozları çekmek için, su filtresi toz filtresi ve ön filtreden daha uygundur. Su filtresini takarken su filtresini üst plakaya, toz filtresi ve ön filtre ile aynı şekilde yerleştirin.

► Şek.43

NOT: Arka arkaya büyük miktarlarda su çekileceği zaman su filtresinin kullanılması tavsiye edilir. Toz filtresi ve ön filtre kullanıldığı takdirde vakum performansında azalma görülebilir.

Su seviyesi sensörlerinin temizlenmesi

Su seviyesi sensörleri, hazne su ile dolduğunda sıvıyı algılar. Filtreleri değiştirirken su seviyesi sensörlerini yumuşak bezle zaman zaman temizleyin.

► Şek.44: 1. Su seviyesi sensörü

Aksesuarların saklanması

Emme başlıkları ve borular gibi kullanımda olmayan aksesuarlar ve ek parçalar, süpürge arkasındaki kancaya asılarak saklanabilir.

► Şek.45: 1. Kullanımda olmayan aksesuar ve ek parça

Süpürge kısa bir süre için kullanılmayacaksa borular (isteğe bağlı durdurucu takılı durumda) boru tutucuya yerleştirilebilir.

► Şek.46: 1. Durdurucu (isteğe bağlı aksesuar) 2. Boru tutucu

Bir hortum süpürge gövdesinin veya sapının etrafına büyük halkalar şeklinde sarılıp saklanabilir. Halkalar oluşturmak için her iki ucunu birbirine bağlayın ve halkaları kaldırılmış sapa geçirin. Alternatif olarak çıkış ucunu hortum girişine takılı tutun ve halkaları boştaki uç bağlanmış olarak çoklu kancaya asın.

► Şek.47

► Şek.48

Bu aksesuarlarla ilgili daha fazla bilgiye ihtiyaç duyar-sanız bulunduğunuz yerdeki yetkili Makita servisine başvururun.

- Hortum
- Ön manşetler (22, 24, 38)
- Düz boru
- Köşe emme başlığı
- Yuvarlak fırça
- Toz filtresi M, H (HEPA)
- Tampon
- Ön filtre
- Su filtresi
- Emme başlığı tertibatı
- Eğik boru
- Polietilen torba
- Filtre torbası
- Orijinal Makita batarya ve şarj aleti
- Kablosuz ünitesi
- MAKPAC

NOT: Listedeki parçaların bazıları alet paketi içerisinde standart aksesuar olarak dahil edilmiş olabilir. Bunlar ülkeden ülkeye farklılık gösterebilir.

İSTEĞE BAĞLI AKSESUARLAR

⚠ DİKKAT: Bu aksesuarlar ve ek parçalar bu el kitabında belirtilen Makita aletiniz ile kullanılmak için tavsiye edilmektedir. Herhangi başka bir aksesuar ya da ek parça kullanılması insanlar için bir yaralanma riski getirebilir. Aksesuarları ya da ek parçaları yalnızca belirtilmiş olan kullanım amaçlarına uygun olarak kullanın.

Makita Europe N.V.

Jan-Baptist Vinkstraat 2, 3070 Kortenberg, Belgium

Makita Corporation

3-11-8, Sumiyoshi-cho, Anjo, Aichi 446-8502 Japan

www.makita.com



885991A991
EN, FR, DE, IT, NL,
ES, PT, EL, TR
20241105