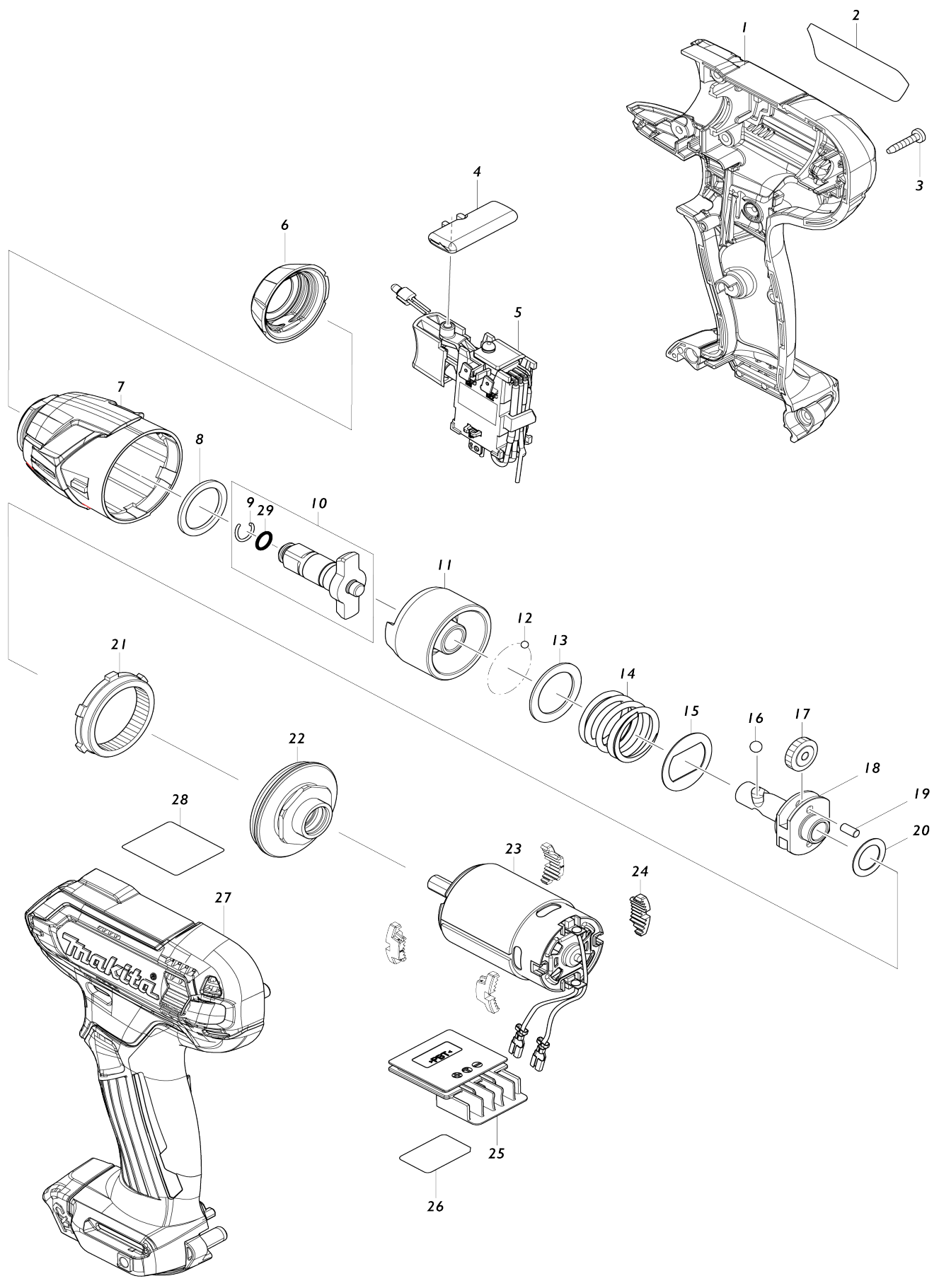


Model No.TW140D CORDLESS IMPACT WRENCH



Model No.TW140D CORDLESS IMPACT WRENCH

Item No.	Parts No.	Description	Interchangeability	Q'ty	New/Old	Note1	Note2
001	183J75-5	HOUSING SET		1			
C10	252126-6	HEX. LOCK NUT M4-7		2			
D10		INC. 27					
002	854M38-3	TW140D NAME PLATE		1			
003	266429-2	TAPPING SCREW 3X16		8			
004	456039-5	F/R CHANGE LEVER		1			
005	632M05-6	SWITCH UNIT		1			
C10	620625-0	LED CIRCUIT		1			
006	422228-4	BUMPER		1			
007	140B03-5	HAMMER CASE COMPLETE		1			
008	261140-1	NYLON WASHER 20		1			
009	233943-3	RING SPRING 8		1			
010	135932-3	ANVIL ASS'Y		1			
D10		INC. 9,29					
011	324894-2	HAMMER		1			
012	216019-1	STEEL BALL 3		24			
013	267380-9	FLAT WASHER 20		1			
014	234064-4	COMPRESSION SPRING 21		1			
015	267813-4	WASHER 21		1			
016	216002-8	STEEL BALL 4.8		2			
017	226190-3	SPUR GEAR 18		2			
018	327127-4	SPINDLE		1			
019	268217-3	PIN 3.5		2			
020	253052-2	FLAT WASHER 12		1			
021	226191-1	INTERNAL GEAR 45		1			
022	140B04-3	BEARING BOX COMPLETE		1			
C10	213188-9	O-RING 13		1			
023	632L97-9	MOTOR COMPLETE		1			
024	422273-9	CUSHION		4			
025	644813-5	TERMINAL		1			
026	854M45-6	TW140D SERIAL NO. LABEL		1			
027	183J75-5	HOUSING SET		1			
C10	252126-6	HEX. LOCK NUT M4-7		2			
D10		INC. 1					
029	213960-9	O RING 5		1			
A01	266622-8	+ TRUSS HEAD SCREW M4X12		1			
A02	346909-5	HOOK		1			
F40	347C56-3	HOOK		1			
A03	821549-5	CONNECTOR PLASTIC CASE (TYPE1)		1			
C10	453974-8	LATCH		4			
A04	838312-9	INNER TRAY		1			
A05	817G45-1	TW140DSAJ INDICATION LABEL		1			
A06	817G46-9	TW140DSAJ PLASTIC CASE LABEL		2			
A07	***DC10SA	DC10SA BATTERY CHARGER		1	*		
D10		COMPO-PARTS					
A07-1	***DC10SB	DC10SB BATTERY CHARGER	<	1			
D10		COMPO-PARTS					

A08	197396-9	BATTERY BL1021B SET		2	*		
A08-1	197396-9	BATTERY BL1021B SET	O	2			
A09	456128-6	BATTERY COVER		1			

Please state Parts No. when your order.

Print Date 05/24/2024