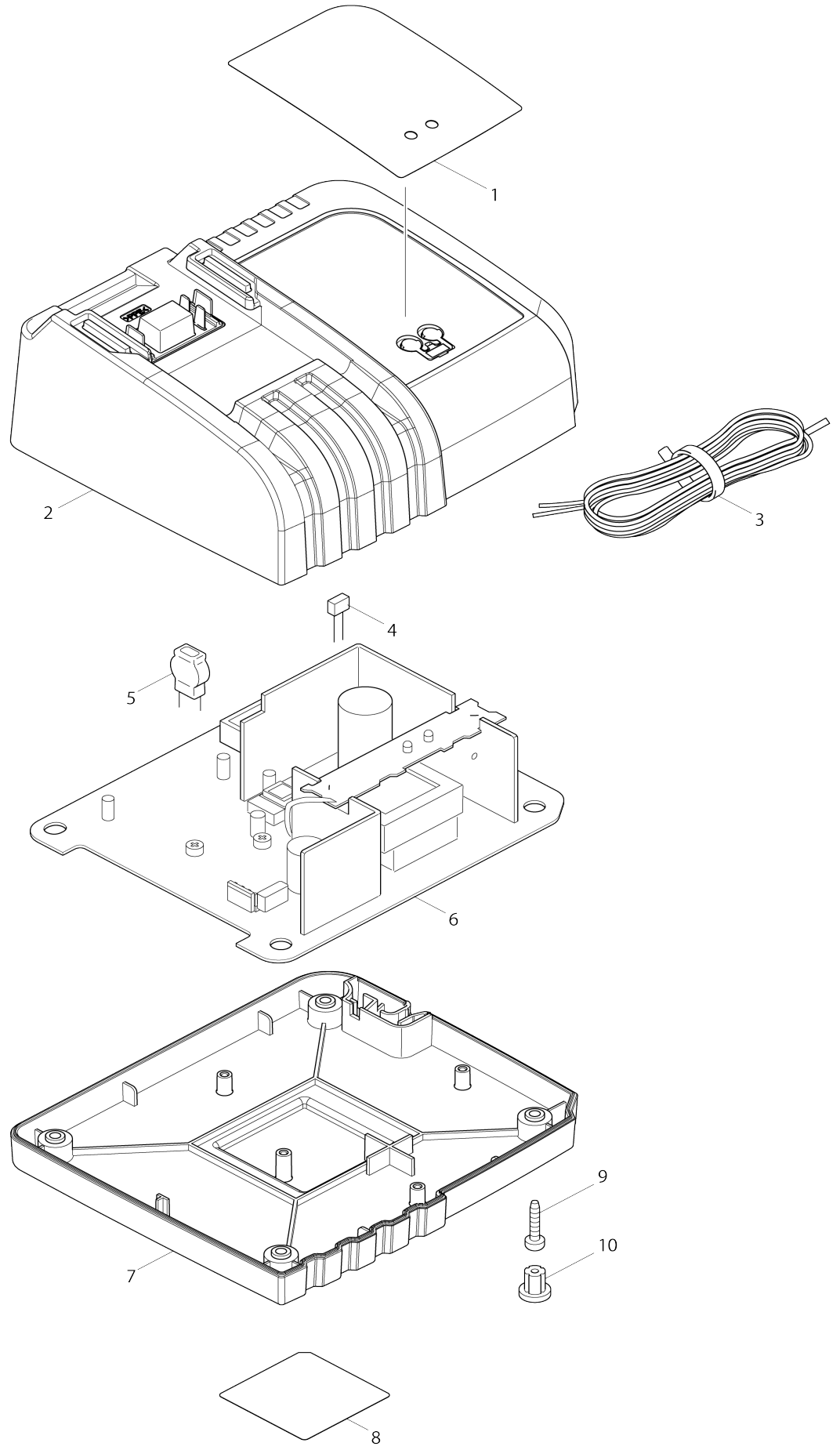


Model No.DC36WA CHARGER



Model No.DC36WA CHARGER

Item No.	Parts No.	Description	Interchangability	Q'ty	New/Old	Note1	Note2
001	891813-8	Charging condition label		1			
002	141067-0	Charger case complete (black)		1			
003	667884-5	POWER SUPPLY CORD		1	*		
003-1	667985-9	VINYL CORD 0.75-2-2.0	<	1			
004	652792-3	Fuse		1			
005	647306-1	VARISTOR		1			
006	620042-4	Charging circuit		1			
D10		INC. 4,5					
007	452374-9	Charger case cover (gray)		1			
008	868670-9	Name plate DC36WA		1			
009	266426-8	TAPPING SCREW 4X20		4			
010	286255-3	CAP 13		4			

Please state Parts No. when your order.

Print Date 14.11.2023