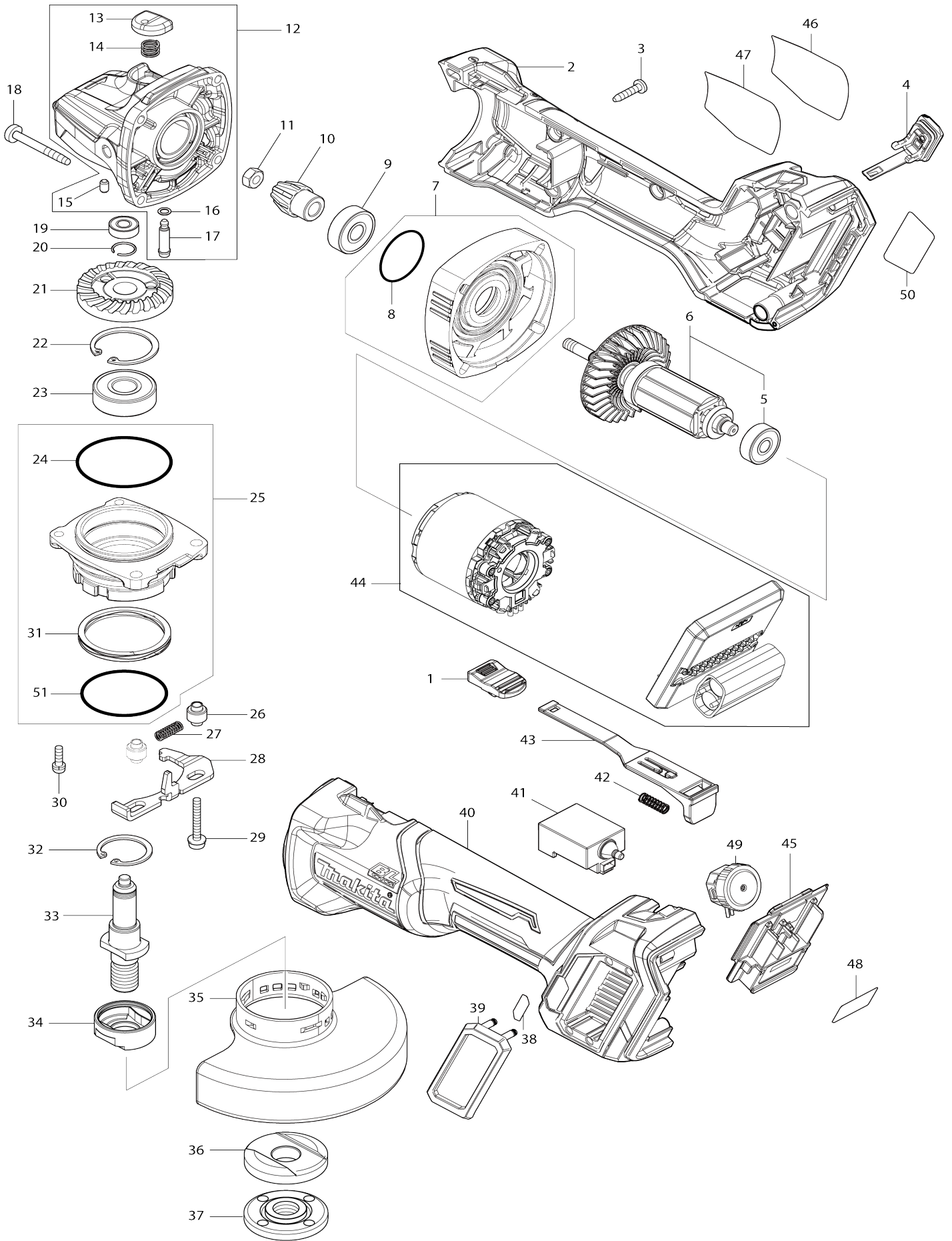


Model No.GA022G 115MM CORDLESS ANGLE GRINDER



Model No.GA022G 115MM CORDLESS ANGLE GRINDER

Item No.	Parts No.	Description	Interchangability	Q'ty	New/Old	Note1	Note2
001	455447-7	SWITCH KNOB		1			
002	183P76-9	MOTOR HOUSING SET		1			
C10	263005-3	RUBBER PIN 6		2			
002		INC. 40					
003	266326-2	TAPPING SCREW 4X18		5			
004	140G30-2	CAP COMPLETE		1			
C10	213218-6	O RING 16		1	*		
C11	213A05-9	O-RING16	O	1			
C20	818H48-4	CAP LABEL		1			
005	210023-2	BALL BEARING 627DDW		1	*		
005-1	210325-6	BALL BEARING 627DDW	<	1			
006	519595-7	ROTOR ASS'Y		1	*		
006		INC. 5			*		
006-1	510614-2	ROTOR ASS'Y	<	1			
006-1		INC. 5					
007	136190-4	GEAR HOUSING COVER ASS'Y		1			
007		INC. 8					
008	213445-5	O-RING 26		1			
009	210042-8	BALL BEARING 629LLB		1			
010	226976-5	SPIRAL BEVEL GEAR 10		1			
011	252186-8	HEX. NUT M6		1			
012	136198-8	GEAR HOUSING ASS'Y		1			
012		INC. 13-17					
013	412234-7	PIN CAP		1			
014	233072-2	COMPRESSION SPRING 8		1			
015	263002-9	RUBBER PIN 4		1			
016	213960-9	O RING 5		1			
017	256546-6	SHOULDER PIN 4		1			
018	266048-4	TAPPING SCREW 4X40		4			
019	210033-9	BALL BEARING 696ZZ		1			
020	233950-6	RING SPRING 11		1			
021	226862-0	SPIRAL BEVEL GEAR 37		1			
022	962151-6	RETAINING RING R-32		1			
023	211129-9	BALL BEARING 6201DDW		1			
024	213622-9	O RING 45		1	*		
024-1	213622-9	O RING 45	O	1			
025	136262-5	BEARING BOX ASS'Y		1			
025		INC. 24,31,51					
026	327322-6	SLEEVE 4		2			
027	232490-1	COMPRESSION SPRING 4		1			
028	347641-4	LEVER B		1			
029	911159-7	PAN HEAD SCREW M4X30		2			
030	911138-5	P.H.SCREW M4X20 WITH WR		2			
031	232542-8	COILED WAVE SPRING 41		1	*		
031-1	232542-8	COILED WAVE SPRING 41	O	1			
032	962105-3	RETAINING RING R-26		1			
033	326672-6	SPINDLE		1			

034	310514-4	LEAD FLANGE		1		
035	347479-7	WHEEL COVER 115		1	*	
035-1	141P44-8	WHEEL COVER 115 COMPLETE	<	1		
C10	8050A1-8	CAUTION LABEL		1		
036	224447-6	INNER FLANGE 42B		1		
037	224554-5	LOCK NUT 14-45		1		
038	8005T5-8	XGT LOGO LABEL		1		
039	422610-7	DUST COVER		1		
040	183P76-9	MOTOR HOUSING SET		1		
C10	263005-3	RUBBER PIN 6		2		
040		INC. 2				
041	651445-1	SWITCH FPM-1130		1		
042	233121-5	COMPRESSION SPRING 4		1		
043	412233-9	SWITCH LEVER		1		
044	629498-8	STATOR COMPLETE		1		
045	632P65-6	TERMINAL UNIT		1		
046	8008U5-3	CLEAR LABEL		1	*	
047	857H08-1	GA022G NAME PLATE		1		
048	857H10-4	GA022G SERIAL NO. LABEL		1		
049	620D30-5	DIAL CIRCUIT		1		
050	8015J1-9	INDICATION LABEL		1		
051	213510-0	O RING 36		1		
A01	158237-4	GRIP 36 COMPLETE		1		
A02	A-80640	DEPRESSED CENTER WHEEL 115X 36		1		
A03	782423-1	LOCK NUT WRENCH 35		1		
A04	412393-7	BATTERY COVER		2		
A05	***DC40RA	DC40RA FAST CHARGER		1		
A05		COMPO-PARTS				
A06	191B26-6	BATTERY BL4040 SET		2		
A07	821552-6	CONNECTOR PLASTIC CASE (TYP E4)		1		
C10	453974-8	LATCH		4		
A08	8017R7-5	GA022GM201 PLASTIC CASE LAB EL		2		
A09	8017R6-7	GA022GM201 INDICATION LABE L		1	*	
A10	835E79-0	INNER TRAY		1		
A12	199709-0	CUTTING W.C.A. 115 SET		1		
F02	194514-0	VIBRATION PROOF GRIP SET		1		
F13	191W05-0	115/125MM DUST COVER SET		1		
C10	743129-6	BRUSH A		1		
C20	743130-1	BRUSH B		1		
F18	1910X9-2	WHEEL COVER 115C SET		1		

Please state Parts No. when your order.

Print Date 17/10/2024