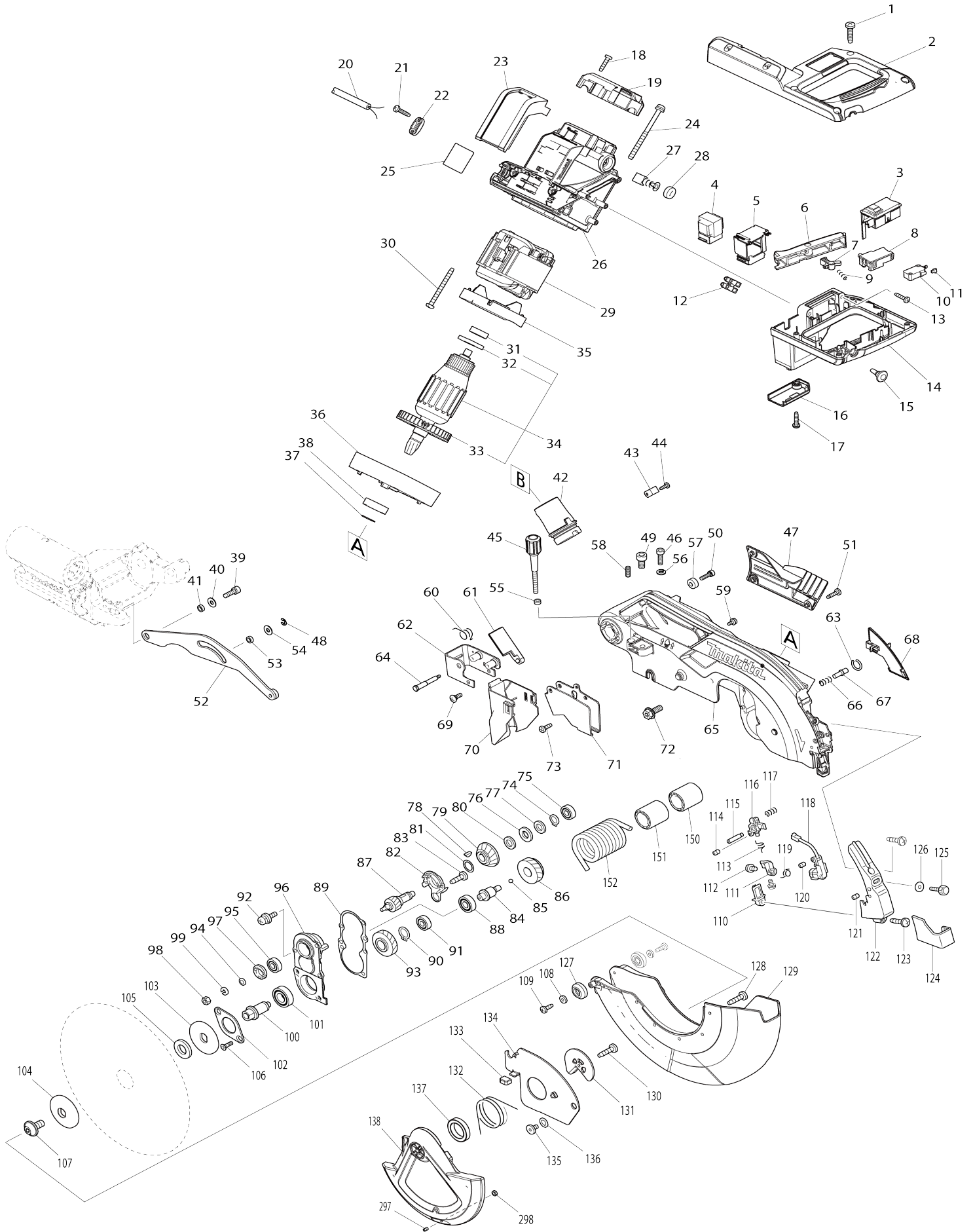
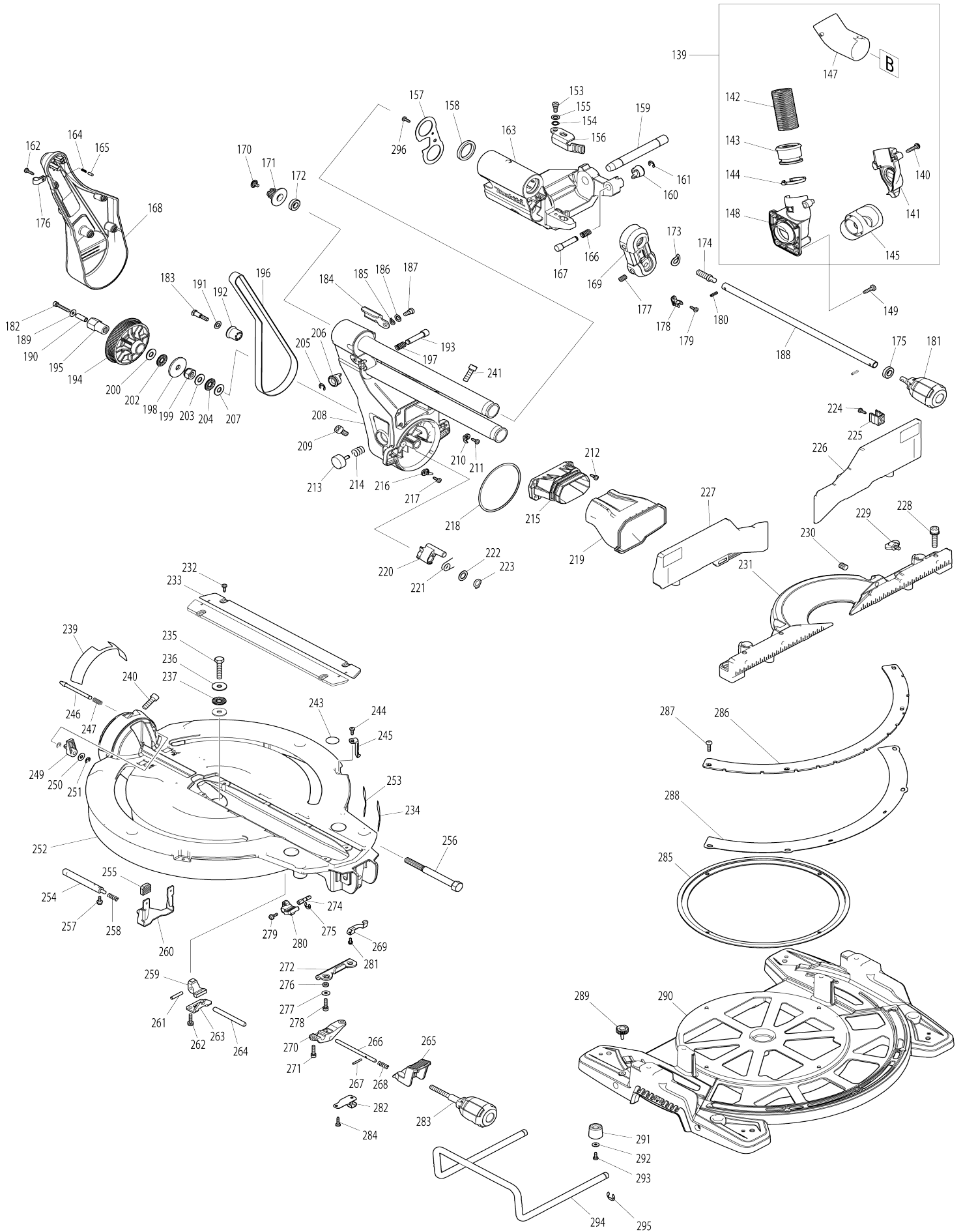


Model No.LS1019L 260MM SLIDE COMPOUND MITER SAW



Model No.LS1019L 260MM SLIDE COMPOUND MITER SAW



Model No.LS1019L 260MM SLIDE COMPOUND MITER SAW

Item No.	Parts No.	Description	Interchangeability	Q'ty	New/Old	Note1	Note2
001	265995-6	TAPPING SCREW 4X18		6			
002	183H19-3	HANDLE SET		1			
C10	810486-8	CAUTION LABEL		1			
C20	808641-4	SWITCH INDICATION LABEL		1			
002		INC. 14					
003	638652-3	LASER SWITCH UNIT		1			
004	631908-3	POWER SUPPLY CIRCUIT		1			
005	451412-4	CASE		1			
006	451003-1	SWITCH LEVER		1			
007	416356-5	LOCK-OFF LEVER		1			
008	650687-4	SWITCH TGC32B		1			
009	231026-3	COMPRESSION SPRING 4		1			
010	651941-9	SWITCH V-15-2A5		1			
011	686015-7	RECEPTACLE SLEEVE		2			
012	654531-7	TERMINAL BLOCK 2P		1			
013	265995-6	TAPPING SCREW 4X18		4			
014	183H19-3	HANDLE SET		1			
C10	810486-8	CAUTION LABEL		1			
C20	808641-4	SWITCH INDICATION LABEL		1			
014		INC. 2					
015	451037-4	SWITCH BUTTON		1			
016	451000-7	LEAD COVER HOLDER		1			
017	265995-6	TAPPING SCREW 4X18		1			
018	265995-6	TAPPING SCREW 4X18		2			
019	457652-2	REAR COVER		1			
020	665865-3	POWER SUPPLY CORD 1.0-2-2.5		1			
021	265995-6	TAPPING SCREW 4X18		2			
022	687052-4	STRAIN RELIEF		1			
023	631866-3	CONTROLLER		1			
024	911948-0	PAN HEAD SCREW M6X80 WITH WR		4			
025	853H90-8	LS1019L NAME PLATE		1			
026	144533-6	MOTOR HOUSING COMPLETE		1			
C10	643660-1	BRUSH HOLDER 6.5-13.5		2			
027	181044-0	CARBON BRUSH CB-153		1	*		
027-1	194985-1	CARBON BRUSH SET CB-153	O	1			
028	643650-4	BRUSH HOLDER CAP 6.5-13.5		2			
029	596349-9	FIELD ASS'Y 240V		1			
C10	654020-2	RING TERMINAL		2			
C20	654502-4	CONNECTOR P-2		2			
030	266095-5	TAPPING SCREW 5X55		2			
031	210067-2	BALL BEARING 6000ZZ		1			
032	681642-5	INSULATION WASHER		1			
033	240001-8	FAN 80		1			
034	517824-2	ARMATURE ASS'Y 240V		1			
034		INC. 31-33					
035	451001-5	BAFFLE PLATE		1			
036	319591-3	MOTOR BRACKET		1			

037	961057-5	RETAINING RING S-17		1		
038	211275-8	BALL BEARING 6003DDW		1		
039	922331-6	HEX. SOCKET HEAD BOLT M6X20		1		
040	253804-1	FLAT WASHER 6		1		
041	257163-5	RING 6		1		
042	457704-9	DUST NOZZLE		1	*	
042-1	459250-8	DUST NOZZLE	S	1		
043	687042-7	STRAIN RELIEF		1		
044	266026-4	TAPPING SCREW BIND CT 4X12		1	*	
044-1	266034-5	TAPPING SCREW CT 4X16	<	1		
045	251554-2	THUMB SCREW M6X40		1		
046	922332-4	HEX. SOCKET HEAD BOLT M6X20		1		
047	457667-9	LOGO PLATE		1		
048	961018-5	STOP RING E-5		1		
049	251547-9	HEX.SOCKET HEAD BOLT M8X25		1		
050	922226-3	HEX. SOCKET HEAD BOLT M5X18		1		
051	266034-5	TAPPING SCREW CT 4X16		3		
052	144529-7	LINK PLATE COMPLETE		1		
053	257163-5	RING 6		1		
054	253804-1	FLAT WASHER 6		1		
055	262001-8	URETHANE RING 5		1		
056	942151-2	SPRING WASHER 6		1	*	
056-1	253428-3	SPRING WASHER 6	O	1		
057	257785-1	SLEEVE 6		1		
058	266321-2	H.S.SET SCREW(FLAT POINT)M6X 16		1		
059	911114-9	PAN HEAD SCREW M4X10		2		
060	232412-1	TORSION SPRING 11		1		
061	457764-1	DUST GUIDE PLATE		1		
062	161647-6	GUARD HOLDER		1		
063	231928-3	RING SPRING 8		1		
064	251544-5	SHOULDER HEX. BOLT M4		1		
065	144634-0	BLADE CASE COMPLETE		1		
C10	263005-3	RUBBER PIN 6		3		
C20	810064-4	LASER BEAM CAUTION LABEL		1		
C30	810354-5	LASER BEAM LABEL		1		
066	231240-1	COMPRESSION SPRING 7		1		
067	256633-1	PIN 6		1		
068	457659-8	LEAD COVER		1		
069	265028-7	+ PAN HEAD SCREW M4X11		1	*	
069-1	265D50-8	+PAN HEAD SCREW M4X11	O	1	*	
069-2	265028-7	+ PAN HEAD SCREW M4X11	O	1		
070	422155-5	GUARD		1		
071	347215-1	GUARD PLATE		1		
072	266283-4	HEX. SOCKET HEX. BOLT M8X20		1		
073	266020-6	TAPPING SCREW 4X12		1		
074	961052-5	RETAINING RING (EXT) S-12		1		
075	210005-4	BALL BEARING 608DDW		1		
076	261104-5	RUBBER WASHER 12		1		
077	253744-3	FLAT WASHER 12		1		
078	254001-2	WOODRUFF KEY 4		1		
079	227550-2	SPIRAL BEVEL GEAR 32		1		

080	253744-3	FLAT WASHER 12		1		
081	253313-0	THIN WASHER 14		1		
082	451002-3	GREASE HOLDER		1		
083	266026-4	TAPPING SCREW BIND CT 4X12		2		
084	325643-0	GEAR SHAFT		1		
085	216024-8	STEEL BALL 4		1		
086	227702-5	HELICAL GEAR 27		1		
087	227701-7	HELICAL GEAR 14		1		
088	210067-2	BALL BEARING 600ZZ		1		
089	442147-8	GASKET		1		
090	961055-9	RETAINING RING S-15		1		
091	210005-4	BALL BEARING 608DDW		1		
092	911223-4	PAN HEAD SCREW M5X16		3		
093	227703-3	HELICAL GEAR 28		1		
094	267010-2	FLAT WASHER 5		1		
095	210005-4	BALL BEARING 608DDW		1		
096	158957-0	BEARING BOX COMPLETE		1		
C10	263002-9	RUBBER PIN 4		1		
097	285847-5	BEARING RETAINER 14-23		1		
098	931202-6	HEX. NUT M5		1		
099	942101-7	SPRING WASHER 5		1	*	
099-1	253427-5	SPRING WASHER 5	O	1		
100	325644-8	SPINDLE		1		
101	211236-8	BALL BEARING 6002DDW		1		
102	285732-2	BEARING RETAINER 51		1		
103	224431-1	INNER FLANGE 53		1		
104	224432-9	OUTER FLANGE 53		1		
105	257262-3	RING 16		1		
106	265034-2	+ COUNTERSUNK HEAD SCREW M5X16		2	*	
106-1	265D49-3	+COUNTERSUNK HEAD SCREW M5X16	O	2	*	
106-2	265034-2	+ COUNTERSUNK HEAD SCREW M5X16	O	2		
107	266755-9	HEX.SOCKET HEAD BOLT M10X20		1		
108	941051-3	FLAT WASHER 4		2		
109	266020-6	TAPPING SCREW 4X12		2		
110	418104-8	LENS		1		
111	419378-4	BLOCK B		1		
112	911003-8	PAN HEAD SCREW M3X6		2		
113	231664-1	TORSION SPRING 9		1		
114	266318-1	H.S.SET SCREW(FLAT POINT)M4X6		1		
115	266306-8	SHOULDER SCREW M5		1		
116	419379-2	BLOCK C		1		
117	233471-8	COMPRESSION SPRING 6		1		
118	638651-5	LASER CIRCUIT COMPLETE		1		
119	231664-1	TORSION SPRING 9		1		
120	266318-1	H.S.SET SCREW(FLAT POINT)M4X6		1		
121	266229-0	H.S.SET SCREW(CUP POINT)M5X8		2		
122	457660-3	LASER COVER		1		

123	266034-5	TAPPING SCREW CT 4X16		2		
124	457664-5	PROTECTOR		1		
125	265753-0	THUMB SCREW M5X24		1		
126	253807-5	FLAT WASHER 5		1		
127	424193-3	ROLLER		2		
128	266385-6	TAPPING SCREW 4X14		3		
129	457499-4	SEAFTY COVER B		1		
130	266385-6	TAPPING SCREW 4X14		1		
131	347213-5	CENTER PLATE		1		
132	231634-0	TORSION SPRING 45		1		
133	424190-9	CUSHION		1		
134	347214-3	CENTER COVER		1		
135	265985-9	HEX.SOCKET HEAD BOLT M6		1		
136	253932-2	WAVE WASHER 10		1		
137	210168-6	BALL BEARING 6805DDW		1		
138	457498-6	SAFETY COVER A		1	*	
138-1	458437-9	SAFETY COVER A	S	1		
139	123980-4	DUST NOZZLE ASSEMBLY		1	*	
139		INC. 140-145,147,148			*	
139-1	127427-0	DUST NOZZLE ASSEMBLY	S	1	*	
C10	458939-5	BUTTON A	S	1	*	
C20	232485-4	COMPRESSION SPRING 5	S	1	*	
139-1		INC. 140-144,147,148			*	
139-2	127427-0	DUST NOZZLE ASSEMBLY	O	1		
C10	458939-5	BUTTON A		1		
C20	232485-4	COMPRESSION SPRING 5		1		
139-2		INC. 141-144,147				
140	265995-6	TAPPING SCREW 4X18		3	*	
141	183G68-4	DUST NOZZLE CONNECTOR SET		1	*	
141		INC. 148			*	
141-1	183H71-1	HOSE CONNECTOR SET	S	1	*	
141-1		INC. 148			*	
141-2	413J67-3	HOSE CONNECTOR	S	1		
142	245041-1	HOSE 28-0.45		1		
143	457672-6	SLEEVE		2	*	
143-1	457672-6	SLEEVE	S	1		
144	457673-4	STOPPER		2	*	
144-1	457673-4	STOPPER	S	1		
145	457669-5	DUST NOZZLE A		1	*	
145-1	457669-5	DUST NOZZLE A	O	1	*	
147	457703-1	ELBOW		1	*	
147-1	459249-3	HOSE JOINT	S	1		
148	183G68-4	DUST NOZZLE CONNECTOR SET		1	*	
148		INC. 141			*	
148-1	183H71-1	HOSE CONNECTOR SET	S	1	*	
148-1		INC. 141			*	
149	266034-5	TAPPING SCREW CT 4X16		3		
150	457665-3	SLEEVE 17		1		
151	457665-3	SLEEVE 17		1		
152	233537-4	TORSION SPRING 35		1		
153	251267-5	+ PAN HEAD SCREW M6		1		
154	253948-7	WAVE WASHER 8		1		

155	253835-0	FLAT WASHER 8		1		
156	347221-6	STOPPER ARM		1		
157	347222-4	FRONT ARM PLATE		1		
158	262076-7	FELT RING 30		2		
159	326994-4	ROD 16		1		
160	271437-0	KNOB 22		1		
161	961013-5	STOP RING E-7		1		
162	266034-5	TAPPING SCREW CT 4X16		4		
163	144531-0	FRONT ARM COMPLETE		1		
C10	263005-3	RUBBER PIN 6		2		
164	233151-6	COMPRESSION SPRING 4		1		
165	256364-2	PIN 4		1		
166	232384-0	COMPRESSION SPRING 10		1		
167	326977-4	STOPPER PIN		1		
168	457653-0	ARM COVER		1		
169	144658-6	HOLDER COMPLETE		1		
C10	812X89-8	INDICATION LABEL		1		
170	265008-3	+ FLAT HEAD SCREW M5		1		
171	222191-9	PULLEY 17-19.3		1		
172	210167-8	BALL BEARING 6900LLB		1		
173	267804-5	WAVE WASHER 15		1		
174	326975-8	SHAFT		1		
175	210167-8	BALL BEARING 6900LLB		1		
176	687042-7	STRAIN RELIEF		1		
177	913416-9	SET SCREW M8X12		2		
178	416536-3	WRENCH HOLDER		1		
179	266026-4	TAPPING SCREW BIND CT 4X12		1		
180	951107-4	SPRING PIN 4-14		2		
181	273016-0	GRIP 50 B		1		
182	265919-2	HEX. SOCKET HEAD BOLT M5X30		1		
183	251545-3	SHOULDER HEX. BOLT M6		1		
184	144657-8	STOPPER LEVER COMPLETE		1		
C10	812X87-2	INDICATION LABEL		1		
185	253948-7	WAVE WASHER 8		1		
186	253835-0	FLAT WASHER 8		1		
187	251267-5	+ PAN HEAD SCREW M6		1		
188	326987-1	PIN 9-365		1		
189	253194-2	FLAT WASHER 5		1		
190	257426-9	SLEEVE 5		1		
191	253165-9	FLAT WASHER 8		1		
192	457666-1	SLEEVE 20		1		
193	326977-4	STOPPER PIN		1		
194	222192-7	PULLEY 17-87.8		1		
195	326980-5	HEX.LOCK NUT M10-19		1		
196	225101-5	SYNCHRO BELT 15-756		1		
197	232384-0	COMPRESSION SPRING 10		1		
198	253388-9	FLAT WASHER 10		1		
199	252244-0	HEX.LOCK NUT M10-17		1		
200	253024-7	FLAT WASHER 10		1		
202	216413-7	THRUST NEEDLE CAGE 1024		1		
203	253024-7	FLAT WASHER 10		1		

204	216413-7	THRUST NEEDLE CAGE 1024	1		
205	961013-5	STOP RING E-7	1		
206	271437-0	KNOB 22	1		
207	253024-7	FLAT WASHER 10	1		
208	144530-2	ARM COMPLETE	1		
C10	812X88-0	INDICATION LABEL	1		
209	251547-9	HEX.SOCKET HEAD BOLT M8X25	1		
210	457871-0	INDICATION PLATE R	1		
211	266026-4	TAPPING SCREW BIND CT 4X12	1		
212	266034-5	TAPPING SCREW CT 4X16	4		
213	415208-7	RELEASE BUTTON	1		
214	233031-6	COMPRESSION SPRING 12	1		
215	457654-8	DUST GUIDE HOLDER	1		
216	457870-2	INDICATION PLATE L	1		
217	266026-4	TAPPING SCREW BIND CT 4X12	1		
218	253389-7	WASHER 94	1		
219	422156-3	DUST GUIDE	1		
220	319593-9	STOPPER	1		
221	231646-3	TORSION SPRING 14	1		
222	253744-3	FLAT WASHER 12	1		
223	961052-5	RETAINING RING (EXT) S-12	1		
224	266026-4	TAPPING SCREW BIND CT 4X12	2		
225	457668-7	HOLDER	2		
226	144650-2	UPPER FENCE R COMPLETE	1		
C10	810503-4	CAUTION LABEL	1		
227	144646-3	UPPER FENCE L COMPLETE	1		
C10	810503-4	CAUTION LABEL	1		
228	922458-2	H.S.H.BOLT M8X35 WITH WR	4		
229	251887-5	SCREW M6X10	2		
230	251561-5	H.SOCKET HEAD SET SCREW M10 X12	2		
231	319565-4	GUIDE FENCE	1		
232	266026-4	TAPPING SCREW BIND CT 4X12	4		
233	451013-8	KERF BOARD	2		
235	265442-7	HEX. BOLT M8X40	1		
236	253852-0	FLAT WASHER 8	2		
237	216413-7	THRUST NEEDLE CAGE 1024	1		
239	812X86-4	BEVEL SCALE LABEL	1		
240	251547-9	HEX.SOCKET HEAD BOLT M8X25	1		
241	251547-9	HEX.SOCKET HEAD BOLT M8X25	1		
243	813L22-1	CAUTION LABEL	2		
244	266026-4	TAPPING SCREW BIND CT 4X12	2		
245	457702-3	INDICATION PLATE	2		
246	326970-8	LOCK PIN 8	1		
247	234122-6	COMPRESSION SPRING 6	1		
249	457657-2	LEVER 25	1		
250	253804-1	FLAT WASHER 6	1		
251	961018-5	STOP RING E-5	2		
252	144654-4	TURN BASE COMPLETE	1		
252		INC. 239,243,253			
253	812X85-6	CAUTION LABEL	1		
254	326973-2	ROD 12	1		

255	286039-9	CAP		2		
256	326976-6	CENTER SHAFT		1		
257	911113-1	PAN HEAD SCREW M4X10 WITH WR		2		
258	231325-3	COMPRESSION SPRING 6		1		
259	310803-7	TURN STOPPER		1		
260	347217-7	LEVER PLATE		1		
261	256186-0	PIN 5		1		
262	911231-5	PAN HEAD SCREW M5X20		2		
263	347219-3	STOPPER HOLDER		1		
264	326971-6	LOCK ROD		1		
265	457656-4	LOCK LEVER		1		
266	326969-3	LOCK PIN 6		1		
267	256158-5	PIN 3		1		
268	231325-3	COMPRESSION SPRING 6		1		
269	347237-1	CAM PLATE		1		
270	319592-1	PIN HOLDER		1		
271	922231-0	HEX. SOCKET HEAD BOLT M5X20		2		
272	347216-9	LOCK PLATE		1		
274	326972-4	ROD 6		1		
275	961011-9	STOP RING E-4		1		
276	257425-1	RING 5		2		
277	253194-2	FLAT WASHER 5		2		
278	922231-0	HEX. SOCKET HEAD BOLT M5X20		2		
279	911113-1	PAN HEAD SCREW M4X10 WITH WR		1		
280	144656-0	LEVER 25 COMPLETE		1		
C10	263005-3	RUBBER PIN 6		1		
281	911008-8	PAN HEAD SCREW M3X8		1		
282	345272-3	LOCK LEVER PLATE		1		
283	273015-2	GRIP 50A		1		
284	266026-4	TAPPING SCREW BIND CT 4X12		2		
285	457655-6	SLIDE PLATE		1		
286	347223-2	MITER SCALE PLATE		1	*	
286-1	347412-9	MITER SCALE PLATE	<	1		
287	251546-1	+ PAN HEAD SCREW M5		4		
288	347218-5	MITER LOCK PLATE		1		
289	265786-5	SCREW M5X16		2		
290	319560-4	BASE		1	*	
290-1	310891-4	BASE	O	1	*	
290-2	310891-4	BASE	S	1		
291	421845-7	FOOT		4		
292	267195-4	FLAT WASHER 4		4		
293	266026-4	TAPPING SCREW BIND CT 4X12		4		
294	326978-2	HOLDER 200		2	*	
294-1	327095-1	HOLDER 200	S	2		
295	961015-1	STOP RING E-9		2		
296	266026-4	TAPPING SCREW BIND CT 4X12		1		
297	266318-1	H.S.SET SCREW(FLAT POINT)M4X 6		1		
298	931102-0	HEX. NUT M4		1	*	
A01	122852-0	DUST BAG ASS'Y		1		

C10	410602-8	FASTENER		1			
A02	126617-2	WISE ASS'Y		1			
A03	762001-3	TRIANGULAR RULE		1			
A04	B-11019	TCT SAW BLADE 260X60TX30		1	*		
A04-1	B-64624	TCT BLADE260X45T WOOD EFFIC UT	O	1			
A05	781044-6	HEX. WRENCH 6		1			
A06	783208-8	HEX. WRENCH 2.5		1			
F02	192628-9	CROWN MOLDING STOPPER (L.R)		1			
F03	198688-9	STAND SET		1			
F04-1	198687-1	STAND SET	<	1			
F07	191C01-8	SUB BASE ASSEMBLY SET		1			

Please state Parts No. when your order.

Print Date 17/10/2024