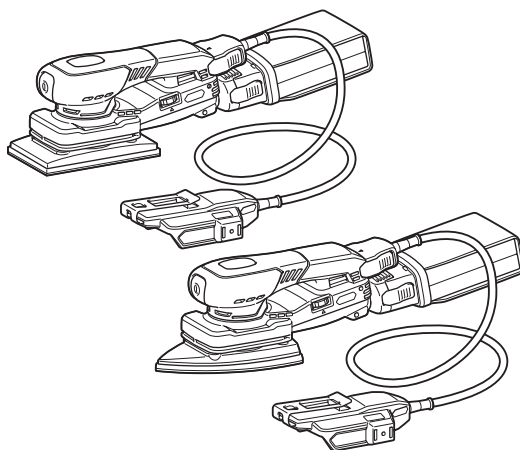
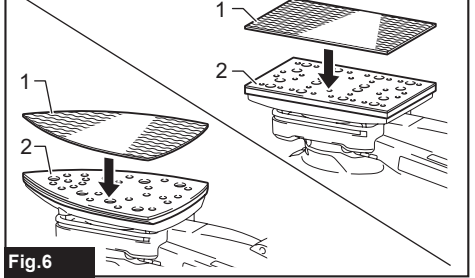
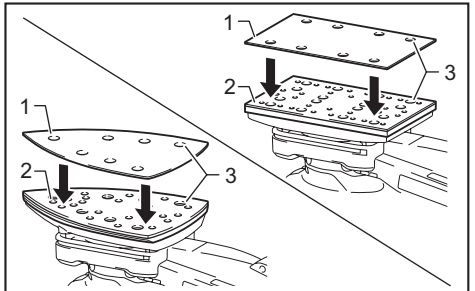
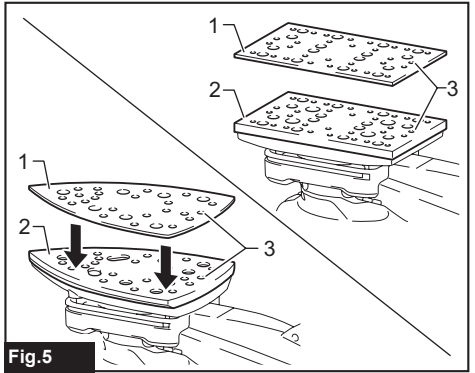
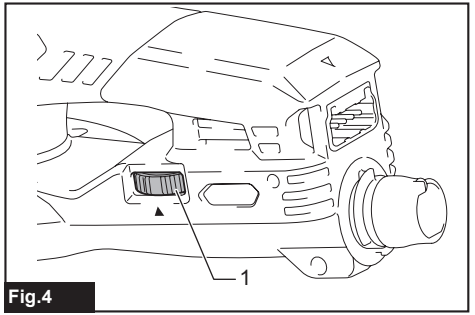
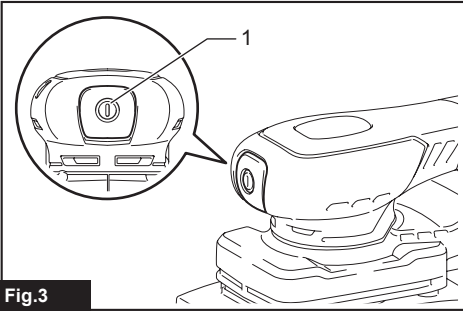
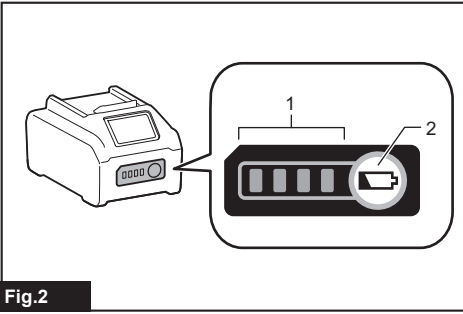
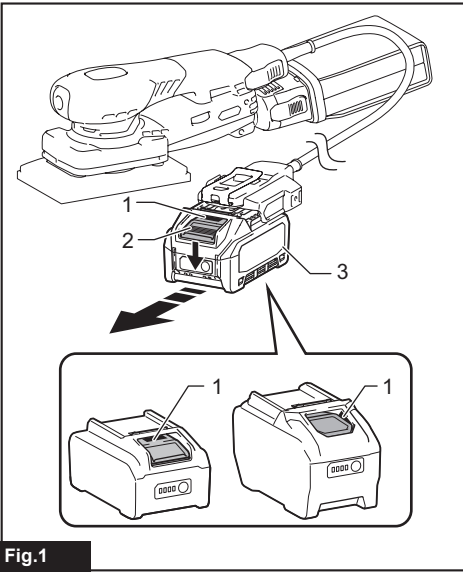


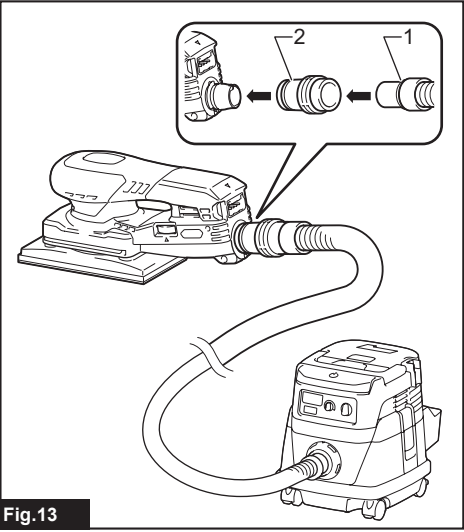
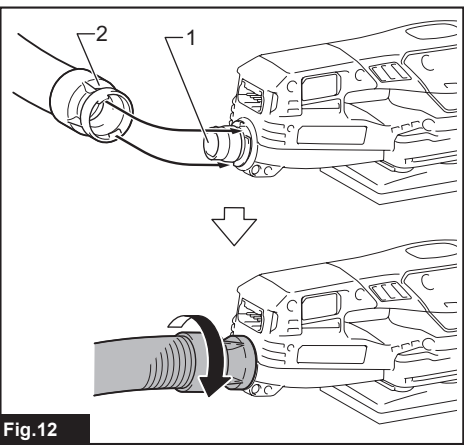
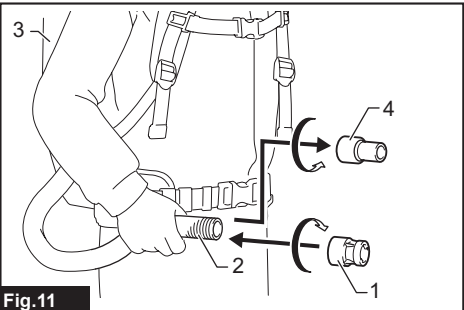
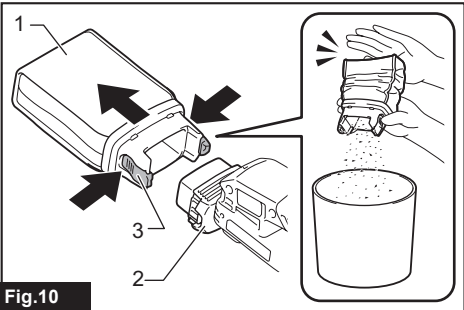
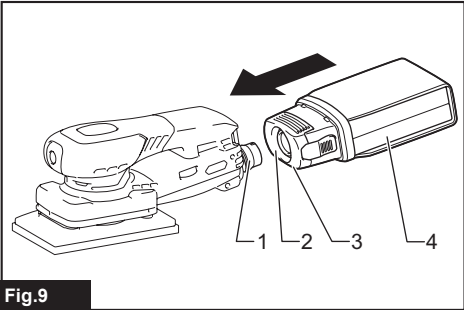
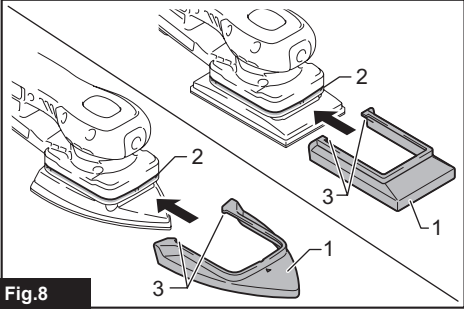
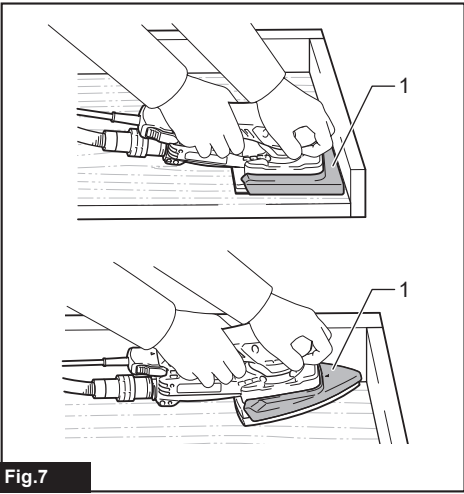


EN	Battery Powered Orbital Sander	INSTRUCTION MANUAL	8
FR	Ponceuse orbitale Sans Fil	MANUEL D'INSTRUCTIONS	20
DE	Akku-Schwingschleifer	BETRIEBSANLEITUNG	33
IT	Levigatrice orbitale a batteria	ISTRUZIONI PER L'USO	47
NL	Excenter accu-schuurmachine	GEBRUIKSAANWIJZING	62
ES	Lijadora Orbital a Batería	MANUAL DE INSTRUCCIONES	76
PT	Lixadeira Orbital a Bateria	MANUAL DE INSTRUÇÕES	90
EL	Τροχιακός λειαντήρας μπαταρίας	ΕΓΧΕΙΡΙΔΙΟ ΟΔΗΓΙΩΝ	103
TR	Akülü Yörüngeli Zımpara Makinesi	KULLANMA KILAVUZU	117

BO005CG
BO006CG







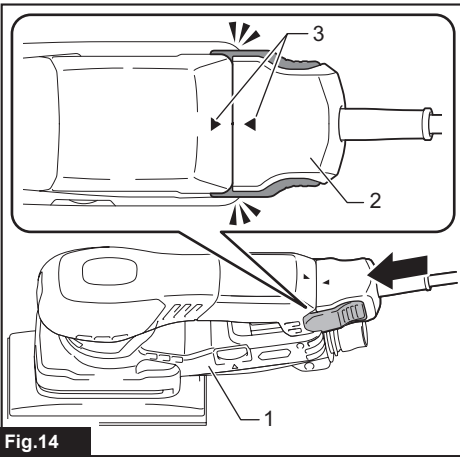


Fig. 14

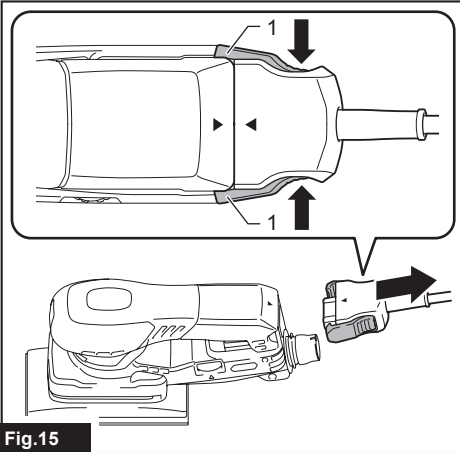


Fig. 15

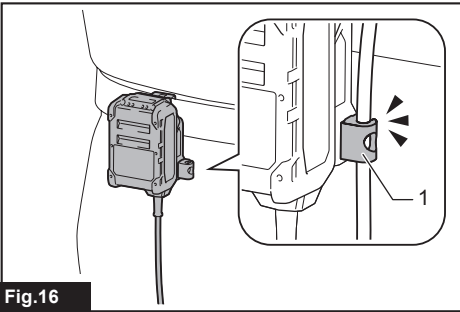


Fig. 16

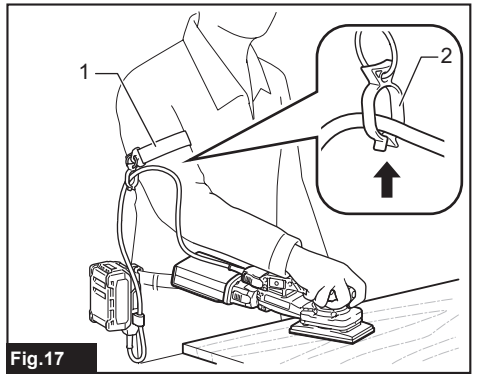


Fig. 17

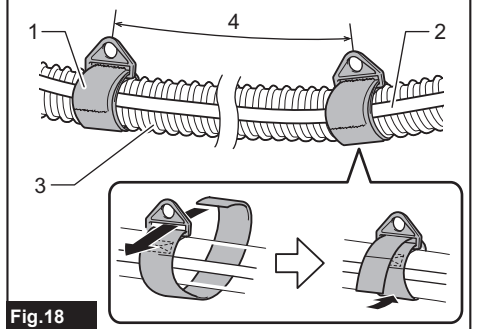


Fig. 18

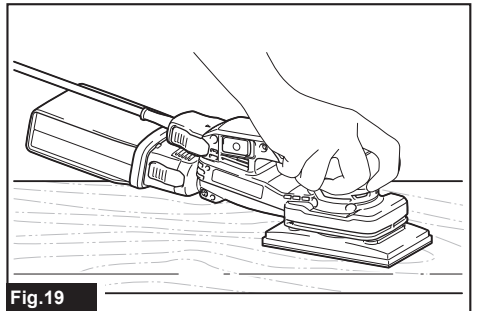


Fig. 19

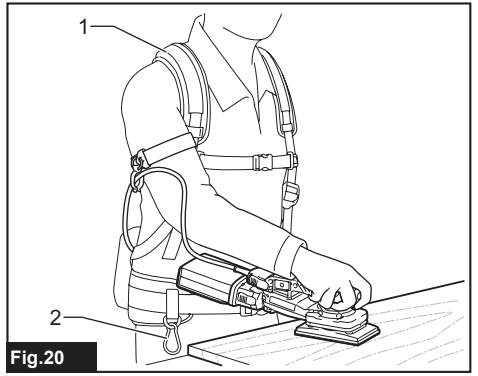


Fig. 20

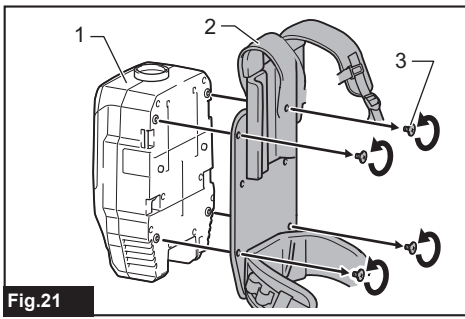


Fig.21

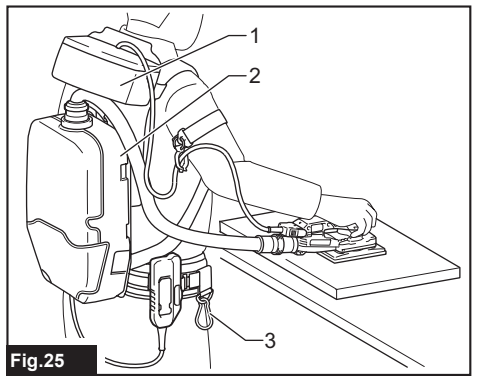


Fig.25

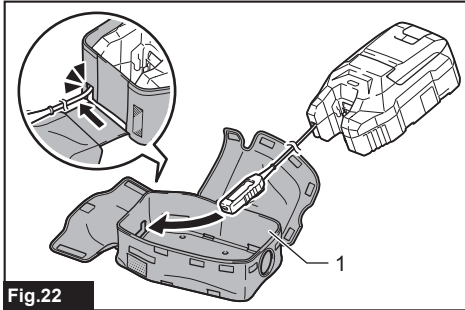


Fig.22

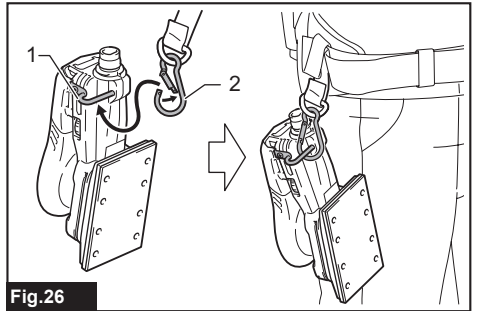


Fig.26

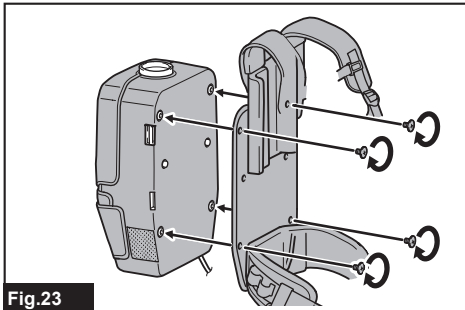


Fig.23

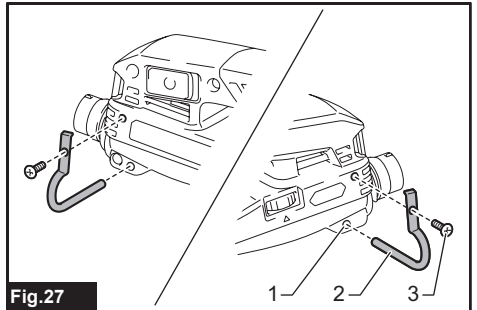


Fig.27

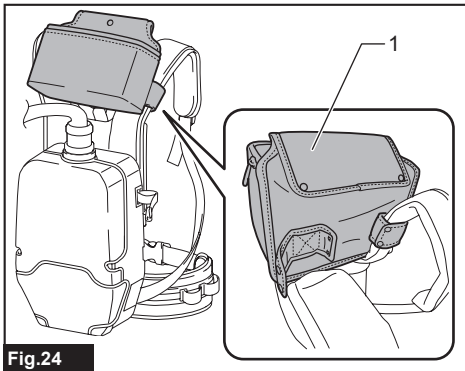


Fig.24

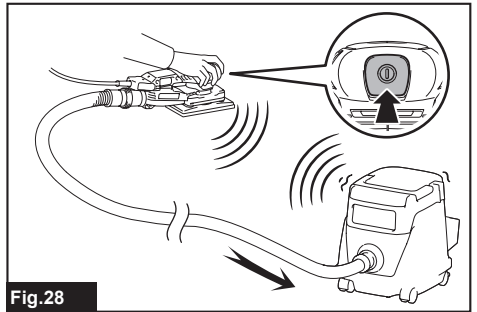


Fig.28

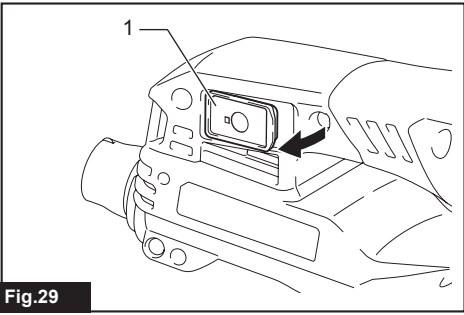


Fig.29

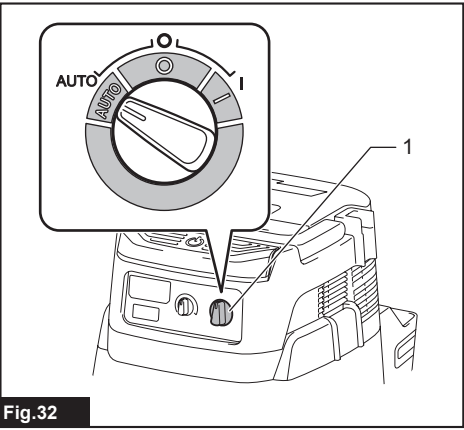


Fig.32

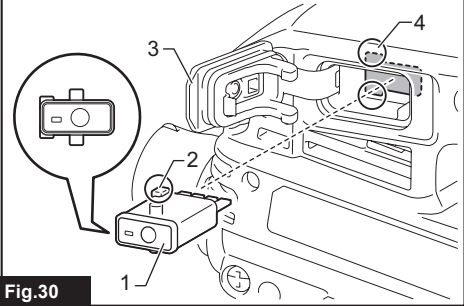


Fig.30

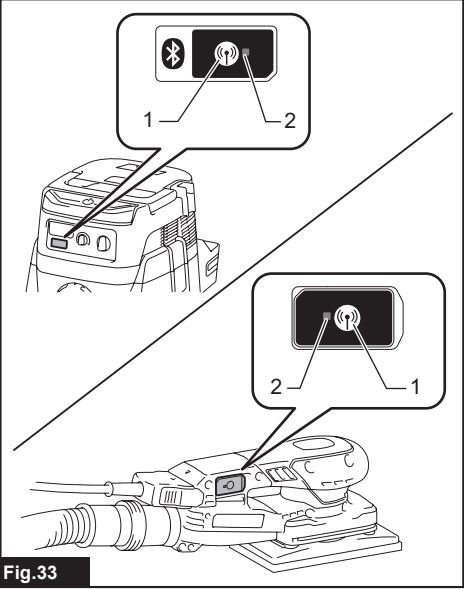


Fig.33

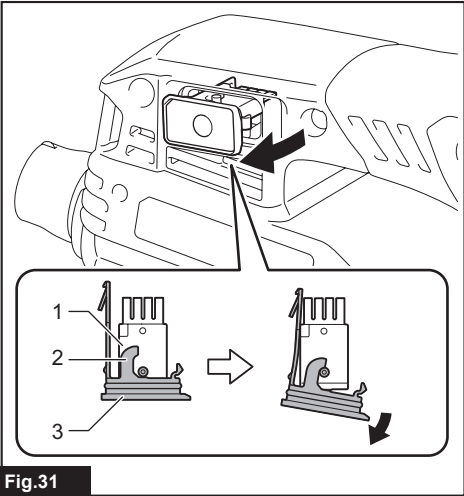


Fig.31

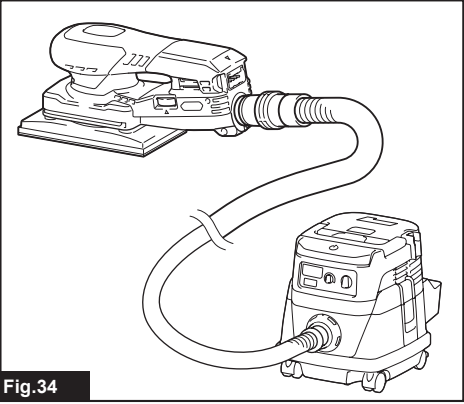


Fig.34

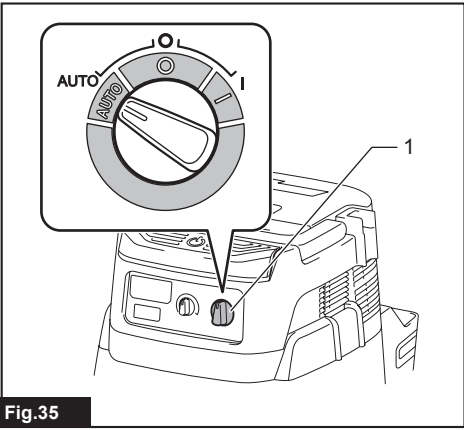


Fig. 35

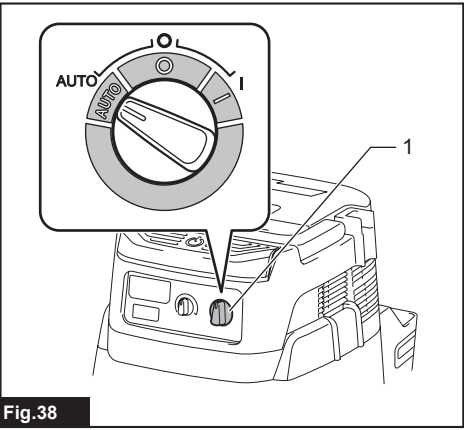


Fig. 38

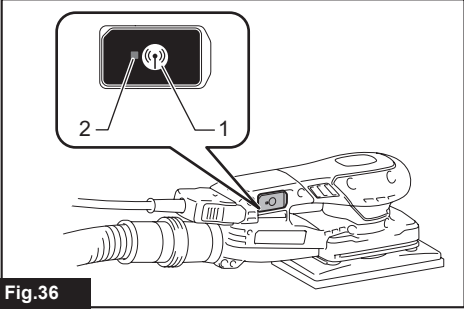


Fig. 36

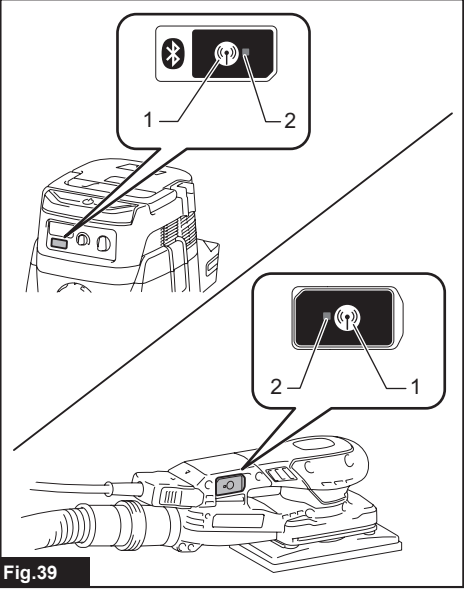


Fig. 39

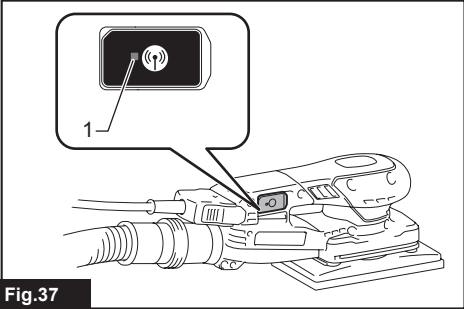


Fig. 37

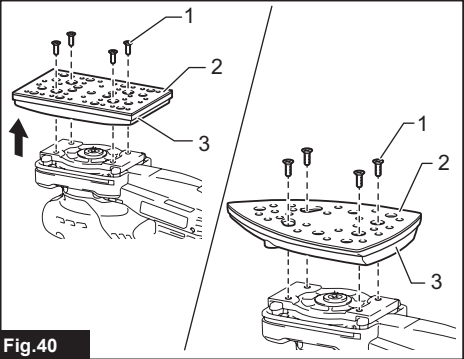


Fig. 40

SPECIFICATIONS

Model:		BO005CG	BO006CG
Standard-equipped pad		Rectangular pad	Delta pad
Abrasives paper	For rectangular pad	80 mm x 130 mm	
	For delta pad	100 mm x 150 mm	
Orbits per minute		6,000 - 10,000 min ⁻¹	
Orbits diameter		3.0 mm	
Overall length		236 mm	263 mm
Rated voltage		D.C. 36 V - 40 V max	
Net weight *1		0.93 kg	

- Due to our continuing program of research and development, the specifications herein are subject to change without notice.
- Specifications may differ from country to country.
- The weight according to EPTA-Procedure 01/2014 is shown in the table.

*1: Weight without any accessories or battery cartridge(s)

Applicable battery cartridge and charger

Battery cartridge	BL4020* / BL4025* / BL4040* / BL4040F* / BL4050F / BL4080F *: Recommended battery
Charger	DC40RA / DC40RB / DC40RC / DC40WA

- Some of the battery cartridges and chargers listed above may not be available depending on your region of residence.

⚠WARNING: Only use the battery cartridges and chargers listed above. Use of any other battery cartridges and chargers may cause injury and/or fire.

Recommended cord connected power source

Portable power pack	PDC01 / PDC1200 / PDC1500
---------------------	---------------------------

- The cord connected power source(s) listed above may not be available depending on your region of residence.
- Before using the cord connected power source, read instruction and cautionary markings on them.

Symbols

The followings show the symbols which may be used for the equipment. Be sure that you understand their meaning before use.

	Read instruction manual.
	Wear eye protection.
	Take particular care and attention.
	To reduce the risk of injury, keep the cord away from obstacles.
	Do not abuse the cord. Damaged cord increases the risk of injury.



Only for EU countries
Due to the presence of hazardous components in the equipment, waste electrical and electronic equipment, accumulators and batteries may have a negative impact on the environment and human health. Do not dispose of electrical and electronic appliances or batteries with household waste!
In accordance with the European Directive on waste electrical and electronic equipment and on accumulators and batteries and waste accumulators and batteries, as well as their adaptation to national law, waste electrical equipment, batteries and accumulators should be stored separately and delivered to a separate collection point for municipal waste, operating in accordance with the regulations on environmental protection.
This is indicated by the symbol of the crossed-out wheeled bin placed on the equipment.

Intended use

The tool is intended for the sanding of large surface of wood, plastic and metal materials as well as painted surfaces.

Noise

The typical A-weighted noise level determined according to EN62841-2-4:

Model	Sound pressure level (L_{pA}) : (dB(A))	Uncertainty (K) : (dB(A))
BO005CG	73	3
BO006CG	76	3

The noise level under working may exceed 80 dB (A).

NOTE: The declared noise emission value(s) has been measured in accordance with a standard test method and may be used for comparing one tool with another.

NOTE: The declared noise emission value(s) may also be used in a preliminary assessment of exposure.

⚠ WARNING: Wear ear protection.

⚠ WARNING: The noise emission during actual use of the power tool can differ from the declared value(s) depending on the ways in which the tool is used especially what kind of workpiece is processed.

⚠ WARNING: Be sure to identify safety measures to protect the operator that are based on an estimation of exposure in the actual conditions of use (taking account of all parts of the operating cycle such as the times when the tool is switched off and when it is running idle in addition to the trigger time).

Vibration

The vibration total value (tri-axial vector sum) determined according to EN62841-2-4:

Work mode: sanding metal plate

Model	Vibration emission ($a_{hr, Aeq}$) : (m/s^2)	Uncertainty (K) : (m/s^2)
BO005CG	2.6	1.5
BO006CG	2.6	1.5

NOTE: The declared vibration total value(s) has been measured in accordance with a standard test method and may be used for comparing one tool with another.

NOTE: The declared vibration total value(s) may also be used in a preliminary assessment of exposure.

⚠ WARNING: The vibration emission during actual use of the power tool can differ from the declared value(s) depending on the ways in which the tool is used especially what kind of workpiece is processed.

⚠ WARNING: Be sure to identify safety measures to protect the operator that are based on an estimation of exposure in the actual conditions of use (taking account of all parts of the operating cycle such as the times when the tool is switched off and when it is running idle in addition to the trigger time).

Declarations of Conformity

For European countries only

The Declarations of conformity are included in Annex A to this instruction manual.

SAFETY WARNINGS

General power tool safety warnings

⚠ WARNING Read all safety warnings, instructions, illustrations and specifications provided with this power tool. Failure to follow all instructions listed below may result in electric shock, fire and/or serious injury.

Save all warnings and instructions for future reference.

The term "power tool" in the warnings refers to your mains-operated (corded) power tool or battery-operated (cordless) power tool.

Sander safety warnings

1. Always use safety glasses or goggles. Ordinary eye or sun glasses are NOT safety glasses.
2. Hold the tool firmly.
3. Do not leave the tool running. Operate the tool only when hand-held.
4. This tool has not been waterproofed, so do not use water on the workpiece surface.
5. Ventilate your work area adequately when you perform sanding operations.
6. Some material contains chemicals which may be toxic. Take caution to prevent dust inhalation and skin contact. Follow material supplier safety data.
7. Use of this tool to sand some products, paints and wood could expose user to dust containing hazardous substances. Use appropriate respiratory protection.
8. Be sure that there are no cracks or breakage on the pad before use. Cracks or breakage may cause a personal injury.
9. Watch your footing and maintain your balance with the tool. Make sure there is no one below when working in high locations. Dropping your

tool/machine components from a height may cause serious injuries.

10. **Do not use the accessories which are not recommended by the manufacturer.** The safety of accessories which are not recommended by the manufacturer is not assured even if they can be attached.
11. **Keep your hands and body away from the underside of the tool during use.**

SAVE THESE INSTRUCTIONS.

⚠ WARNING: DO NOT let comfort or familiarity with product (gained from repeated use) replace strict adherence to safety rules for the subject product. MISUSE or failure to follow the safety rules stated in this instruction manual may cause serious personal injury.

Battery adapter safety warnings

1. **When the cord gets hot, stop using the product and turn the tool/machine off. Allow them to cool before a restart.**
2. **When carrying your tool/machine or leaving your tool/machine unattended, remove the adapter from the tool/machine or unfasten the battery holder from your body, etc.**
 - The cord may be caught on people or obstacles nearby and cause an injury.
 - You may unintentionally pull the tool/machine connected to your body, and it may cause tumble or the tool/machine falling, resulting in injury.
3. **While using the product in high places, always use a safety belt.** Be aware that an accidental drop of the tool/machine may affect your balance and there could be a risk of falling from height.
4. **Do not store or operate this product with the cord twisted.** A damaged or entangled cord may increase the risk of electric shock or fire due to a short circuit in wiring.
5. **Inspect the cord and product components for any anomalies prior to use.** If any anomalies are detected, stop using the product immediately and request a repair at the Makita Authorized or Factory Service Centers.

Important safety instructions for battery cartridge

1. **Before using battery cartridge, read all instructions and cautionary markings on (1) battery charger, (2) battery, and (3) product using battery.**
2. **Do not disassemble or tamper with the battery cartridge.** It may result in a fire, excessive heat, or explosion.
3. **If operating time has become excessively shorter, stop operating immediately.** It may result in a risk of overheating, possible burns and even an explosion.
4. **If electrolyte gets into your eyes, rinse them out with clear water and seek medical attention right away.** It may result in loss of your eyesight.

5. **Do not short the battery cartridge:**
 - (1) **Do not touch the terminals with any conductive material.**
 - (2) **Avoid storing battery cartridge in a container with other metal objects such as nails, coins, etc.**
 - (3) **Do not expose battery cartridge to water or rain.**

A battery short can cause a large current flow, overheating, possible burns and even a breakdown.

6. **Do not store and use the tool and battery cartridge in locations where the temperature may reach or exceed 50 °C (122 °F).**
7. **Do not incinerate the battery cartridge even if it is severely damaged or is completely worn out.** The battery cartridge can explode in a fire.
8. **Do not nail, cut, crush, throw, drop the battery cartridge, or hit against a hard object to the battery cartridge.** Such conduct may result in a fire, excessive heat, or explosion.
9. **Do not use a damaged battery.**

10. **The contained lithium-ion batteries are subject to the Dangerous Goods Legislation requirements.**

For commercial transports e.g. by third parties, forwarding agents, special requirement on packaging and labeling must be observed.

For preparation of the item being shipped, consulting an expert for hazardous material is required. Please also observe possibly more detailed national regulations.

Tape or mask off open contacts and pack up the battery in such a manner that it cannot move around in the packaging.

11. **When disposing the battery cartridge, remove it from the tool and dispose of it in a safe place.** Follow your local regulations relating to disposal of battery.
12. **Use the batteries only with the products specified by Makita.** Installing the batteries to non-compliant products may result in a fire, excessive heat, explosion, or leak of electrolyte.
13. **If the tool is not used for a long period of time, the battery must be removed from the tool.**
14. **During and after use, the battery cartridge may take on heat which can cause burns or low temperature burns.** Pay attention to the handling of hot battery cartridges.
15. **Do not touch the terminal of the tool immediately after use as it may get hot enough to cause burns.**
16. **Do not allow chips, dust, or soil stuck into the terminals, holes, and grooves of the battery cartridge.** It may cause heating, catching fire, burst and malfunction of the tool or battery cartridge, resulting in burns or personal injury.
17. **Unless the tool supports the use near high-voltage electrical power lines, do not use the battery cartridge near high-voltage electrical power lines.** It may result in a malfunction or breakdown of the tool or battery cartridge.
18. **Keep the battery away from children.**

SAVE THESE INSTRUCTIONS.

⚠ CAUTION: Only use genuine Makita batteries. Use of non-genuine Makita batteries, or batteries that have been altered, may result in the battery bursting causing fires, personal injury and damage. It will also void the Makita warranty for the Makita tool and charger.

Tips for maintaining maximum battery life

1. Charge the battery cartridge before completely discharged. Always stop tool operation and charge the battery cartridge when you notice less tool power.
2. Never recharge a fully charged battery cartridge. Overcharging shortens the battery service life.
3. Charge the battery cartridge with room temperature at 10 °C - 40 °C (50 °F - 104 °F). Let a hot battery cartridge cool down before charging it.
4. When not using the battery cartridge, remove it from the tool or the charger.
5. Charge the battery cartridge if you do not use it for a long period (more than six months).

Important safety instructions for wireless unit

1. Do not disassemble or tamper with the wireless unit.
2. Keep the wireless unit away from young children. If accidentally swallowed, seek medical attention immediately.
3. Use the wireless unit only with Makita tools.
4. Do not expose the wireless unit to rain or wet conditions.
5. Do not use the wireless unit in places where the temperature exceeds 50 °C (122 °F).
6. Do not operate the wireless unit in places where medical instruments, such as heart pace makers are nearby.
7. Do not operate the wireless unit in places where automated devices are nearby. If operated, automated devices may develop malfunction or error.
8. Do not operate the wireless unit in places under high temperature or places where static electricity or electrical noise could be generated.
9. The wireless unit can produce electromagnetic fields (EMF) but they are not harmful to the user.
10. The wireless unit is an accurate instrument. Be careful not to drop or strike the wireless unit.
11. Avoid touching the terminal of the wireless unit with bare hands or metallic materials.
12. Always remove the battery on the product when installing the wireless unit into it.
13. When opening the lid of the slot, avoid the place where dust and water may come into the slot. Always keep the inlet of the slot clean.
14. Always insert the wireless unit in the correct

direction.

15. Do not press the wireless activation button on the wireless unit too hard and/or press the button with an object with a sharp edge.
16. Always close the lid of the slot when operating.
17. Do not remove the wireless unit from the slot while the power is being supplied to the tool. Doing so may cause a malfunction of the wireless unit.
18. Do not remove the sticker on the wireless unit.
19. Do not put any sticker on the wireless unit.
20. Do not leave the wireless unit in a place where static electricity or electrical noise could be generated.
21. Do not leave the wireless unit in a place subject to high heat, such as a car sitting in the sun.
22. Do not leave the wireless unit in a dusty or powdery place or in a place corrosive gas could be generated.
23. Sudden change of the temperature may bedew the wireless unit. Do not use the wireless unit until the dew is completely dried.
24. When cleaning the wireless unit, gently wipe with a dry soft cloth. Do not use benzine, thinner, conductive grease or the like.
25. When storing the wireless unit, keep it in the supplied case or a static-free container.
26. Do not insert any devices other than Makita wireless unit into the slot on the tool.
27. Do not use the tool with the lid of the slot damaged. Water, dust, and dirt come into the slot may cause malfunction.
28. Do not pull and/or twist the lid of the slot more than necessary. Restore the lid if it comes off from the tool.
29. Replace the lid of the slot if it is lost or damaged.

SAVE THESE INSTRUCTIONS.

FUNCTIONAL DESCRIPTION

⚠ CAUTION: Always be sure that the tool is switched off and the battery cartridge is removed before adjusting or checking function on the tool.

Installing or removing battery cartridge

CAUTION: Always switch off the tool before installing or removing of the battery cartridge.

CAUTION: Hold the tool and the battery cartridge firmly when installing or removing battery cartridge. Failure to hold the tool and the battery cartridge firmly may cause them to slip off your hands and result in damage to the tool and battery cartridge and a personal injury.

To install the battery cartridge, align the tongue on the battery cartridge with the groove in the housing and slip it into place. Insert it all the way until it locks in place with a little click. If you can see the red indicator as shown in the figure, it is not locked completely.

To remove the battery cartridge, slide it from the tool while sliding the button on the front of the cartridge.

► **Fig.1:** 1. Red indicator 2. Button 3. Battery cartridge

CAUTION: Always install the battery cartridge fully until the red indicator cannot be seen. If not, it may accidentally fall out of the tool, causing injury to you or someone around you.

CAUTION: Do not install the battery cartridge forcibly. If the cartridge does not slide in easily, it is not being inserted correctly.

Indicating the remaining battery capacity

Press the check button on the battery cartridge to indicate the remaining battery capacity. The indicator lamps light up for a few seconds.

► **Fig.2:** 1. Indicator lamps 2. Check button

Indicator lamps			Remaining capacity
Lighted	Off	Blinking	
■	□	◐	75% to 100%
■	■	■	
■	■	□	
■	■	□	
■	□	□	50% to 75%
■	□	□	25% to 50%
■	□	□	0% to 25%
◐	□	□	Charge the battery.
■	■	□	The battery may have malfunctioned.
□	□	■	

NOTE: Depending on the conditions of use and the ambient temperature, the indication may differ slightly from the actual capacity.

NOTE: The first (far left) indicator lamp will blink when the battery protection system works.

Switch action

CAUTION: Avoid turning the tool on while it is placed on the workpiece or on your workbench. It may cause personal injury or damage.

Turning the tool on and off

Press the power button to start the tool.

Press the power button again to stop the tool.

► **Fig.3:** 1. Power button

Speed adjusting dial

NOTICE: If the tool is operated continuously at low speeds for a long time, the motor will get overloaded, resulting in tool malfunction.

NOTICE: The speed adjusting dial can be turned only as far as 5 and back to 1. Do not force it past 5 or 1, or the speed adjusting function may no longer work.

The rotating speed can be changed by turning the speed adjusting dial. Higher speed is obtained when the dial is turned in the direction of number 5. And lower speed is obtained when it is turned in the direction of number 1.

Refer to the table for the relationship between the number settings on the dial and the approximate rotating speed.

Number	Orbits per minute
1	6,000
2	6,500
3	8,000
4	9,500
5	10,000

► **Fig.4:** 1. Speed adjusting dial

Electronic function

The tool is equipped with following electronic function(s) for easy operation.

Soft start feature

The soft start feature reduces starting shock.

Constant speed control

Electronic speed control for obtaining constant speed. This feature enables the fine finish because the tool speed remains constant even under load.

Electric brake

The electric brake stops the tool quickly for safety and convenient operation.

Accidental re-start preventive function

When any power source (e.g. the battery cartridge, etc.) is connected to the tool while pressing the power button, the tool does not start.

To start the tool, press the power button again.

Tool / battery protection system

The tool is equipped with a tool/battery protection system. This system automatically cuts off power to the motor to extend tool and battery life. The tool will automatically stop during operation if the tool or battery is placed under one of the following conditions:

Overload protection

When the tool or battery is operated in a manner that causes it to draw an abnormally high current, the tool automatically stops without any indication. In this situation, turn the tool off and stop the application that caused the tool to become overloaded. Then turn the tool on to restart.

Overheat protection

When the tool or battery is overheated, the tool stops automatically. In this case, let the tool and battery cool before turning the tool on again.

Overdischarge protection

When the battery capacity is not enough, the tool stops automatically. In this case, remove the battery from the tool and charge the battery.

Protections against other causes

Protection system is also designed for other causes that could damage the tool and allows the tool to stop automatically. Take all the following steps to clear the causes, when the tool has been brought to a temporary halt or stop in operation.

1. Make sure that all switch(es) is/are in the off position, and then turn the tool on again to restart.
2. Charge the battery(ies) or replace it/them with recharged battery(ies).
3. Let the tool and battery(ies) cool down.

If no improvement can be found by restoring protection system, then contact your local Makita Service Center.

ASSEMBLY

CAUTION: Always be sure that the tool is switched off and the battery cartridge is removed before carrying out any work on the tool.

Installing or removing the pad saver

The pad saver prevents wear of the hook-and-loop on the pad.

1. To install the pad saver, remove all dirt and foreign matter from the pad.

2. Attach the pad saver to the pad aligning the dust-suction holes in the pad saver with those in the pad.

► **Fig.5:** 1. Pad saver 2. Pad 3. Dust-suction holes

When the hook-and-loop on the pad saver wears out, remove the pad saver and install a new one.

To remove the pad saver, peel the pad saver off from the edge.

Installing or removing abrasive paper

CAUTION: Make sure that the abrasive paper is installed securely before use. Otherwise the abrasive paper may be removed easily that causes slipping and results uneven sanding operation.

CAUTION: Make sure that the pad is installed correctly and securely. A loose attachment will run out of balance and cause an excessive vibration resulting in loss of control.

CAUTION: Be sure that a pad, pad saver and abrasive paper are aligned and securely attached.

CAUTION: Only use abrasive papers. Never use pressure-sensitive abrasive papers.

NOTE: The abrasive paper can be attached also on the pad directly.

1. Remove all dirt and foreign matter from the pad saver.
 2. Attach a abrasive sheet to the pad saver.
 - For paper type abrasive sheet with dust-suction holes, align the dust-suction holes in the paper with those in the pad saver.
 - For net type abrasive sheet, align the outer shape with the pad saver.
- **Fig.6:** 1. Abrasive sheet 2. Pad saver 3. Dust-suction holes

To remove the abrasive sheet, peel the abrasive sheet off from the edge while holding the pad saver to prevent it from being peeled together.

Protector

The protector prevents the pad, the tool housing and the wall from being damaged when working near a wall.

► **Fig.7:** 1. Protector

To install the protector, align the tongue of the protector with the groove, and push in the protector.

To remove the protector, pull the protector forward while opening the latches.

► **Fig.8:** 1. Protector 2. Groove 3. Latch

Installing and removing dust bag

Attach the dust bag assembly over the dust spout at the back end of the motor housing. Put the dust inlet onto the dust spout all the way until it locks in place.

To remove the dust bag assembly, hold and pull the dust cap.

► **Fig.9:** 1. Dust spout 2. Dust inlet 3. Dust cap 4. Dust bag

NOTICE: Do not hold the dust bag when carrying the tool. Otherwise, the tool may fall and be damaged.

Disposing of dust

To ensure optimal dust collecting, empty the dust bag when it becomes filled to approximately half of its capacity.

1. Remove the dust bag from the dust cap while pressing both buttons.
 2. Gently tap the bottom of dust bag to empty.
- **Fig.10:** 1. Dust bag 2. Dust cap 3. Button

Connecting with vacuum cleaner

When you wish to perform clean sanding operation, connect a Makita vacuum cleaner to your tool.

NOTICE: When operating the tool with the backpack vacuum cleaner, always use the front cuff (supplied with the tool). Doing so will reduce static electricity.

1. Remove the other cuff from the hose if it is attached.
 2. Screw in the front cuff supplied with the tool onto the hose. Make sure that the front cuff is securely screwed in the hose.
- **Fig.11:** 1. Front cuff (supplied with the tool) 2. Hose 3. Vacuum cleaner 4. Other cuff
3. Attach the front cuff over the dust spout of the tool.

Put the front cuff onto the dust spout all the way and then turn the front cuff tightly in the arrow as shown in the figure.

- **Fig.12:** 1. Dust spout 2. Front cuff (supplied with the tool)

For vacuum cleaner that is not backpack type

You can connect the hose with also the front cuff 22 and the front cuff 24. The front cuff 22 and the front cuff 24 are the optional accessories or supplied with the vacuum cleaner.

- **Fig.13:** 1. Front cuff 22 (optional accessory or supplied with the vacuum cleaner) 2. Front cuff 24 (optional accessory or supplied with the vacuum cleaner)

Installing or removing the battery adapter

NOTICE: Make sure that there is no dust accumulation at the connection between the tool and battery adapter. Dust accumulation may cause malfunction.

1. To install the battery adapter, align the arrow mark on the battery adapter with that of the tool.
 2. Insert the battery adapter all the way until it locks in place with a little click.
- **Fig.14:** 1. Tool 2. Battery adapter 3. Arrow mark

To remove the battery adapter, slide the battery adapter off while pushing down both buttons.

- **Fig.15:** 1. Button

Setting up the battery adapter

CAUTION: Do not operate the tool if the connection cord is damaged.

NOTICE: Do not abuse the connection cord. Do not carry the tool by pulling the connection cord. Keep the connection cord away from heat, oil, or sharp edges. Otherwise the connection cord may be damaged.

Hang the battery adapter on the waist belt.

The cord holder helps the cord handling. Attach the cord holder if necessary with screw on right or left of the battery adapter.

- **Fig.16:** 1. Cord holder

Arm band

The arm band is convenient for the cord handling.

1. Put the arm band on your arm, and then adjust the length of the arm band.
2. Press in the connection cord through the opening of the holder.

- **Fig.17:** 1. Arm band 2. Holder with the opening

CAUTION: Do not force the opening of the holder. Failure to do so may cause deflection and damage to it.

Hose band

Included in Battery adapter with 5 m cord (optional accessory)

When using the vacuum cleaner connected to the tool, the hose band can be used for holding the cord and hose to prevent the tangle.

Hold the cord and hose with the hose band at intervals of approximately 1 m as shown in the figure.

- **Fig.18:** 1. Hose band 2. Cord 3. Hose 4. Approximately 1 m

OPERATION

Sanding operation

CAUTION: Always be sure that the workpiece is secured firmly.

CAUTION: Wear a dust mask when working with much dust.

CAUTION: Do not touch the rotating abrasive paper. Failure to do so may result in a personal injury.

NOTICE: Never run the tool without the abrasive paper. You may seriously damage the pad saver or the pad.

NOTICE: Never force the tool. Excessive pressure may decrease the sanding efficiency, damage the abrasive paper and/or shorten the tool life.

NOTICE: Do not use the tool for polishing. Do not attach the polishing accessory such as the sponge on the tool. Otherwise malfunction may occur.

Hold the tool firmly. Turn the tool on and wait until it attains the adjusted speed. Then gently place the tool on the workpiece surface. Keep the pad flush with the workpiece and do not bear down on the tool.

► Fig.19

Operation with the harness

Optional accessory

The harness allows the operation while carrying the battery adapter on your back. The carabiner can be attached to the harness. The tool can be hooked onto the carabiner by using the hook. For the installation of the hook, refer to "Installing hook".

► Fig.20: 1. Harness 2. Carabiner

Operation with the protection cover

Optional accessory

NOTICE: Before you select the protection cover, make sure that the protection cover is compatible with your backpack vacuum cleaner. The protection cover can be attached to the only specific models of backpack vacuum cleaner.

Examples of the compatible model:

- VC008G / GCV05
- VC009G / GCV06

Above are part of the examples. For details, ask our service center whether your backpack vacuum cleaner is compatible to the protection cover or not.

The protection cover protects the backpack vacuum cleaner and the battery adapter, and allows the operation with carrying the backpack vacuum cleaner and the battery adapter together on your back.

1. Remove the screws that secure the harness of the backpack vacuum cleaner.

► Fig.21: 1. Backpack vacuum cleaner 2. Harness of the backpack vacuum cleaner 3. Screw

2. Wrap the backpack vacuum cleaner with the protection cover (for backpack vacuum cleaner).

► Fig.22: 1. Protection cover (for backpack vacuum cleaner)

3. Secure the harness of the backpack vacuum cleaner by fastening the screws.

► Fig.23

4. Store the battery parts of the battery adapter in the protection cover (for the battery adapter), and then loop the protection cover (for the battery adapter) on the harness as shown in the figure.

► Fig.24: 1. Protection cover (for the battery adapter)

5. The carabiner can be attached to the harness. The tool can be hooked onto the carabiner by using the hook. For the installation of the hook, refer to "Installing hook".

► Fig.25: 1. Protection cover (for the battery adapter) 2. Protection cover (for backpack vacuum cleaner) 3. Carabiner

Installing hook

WARNING: Use the hanging/mounting parts for their intended purposes only, e.g., hanging the tool on a tool belt between jobs or work intervals.

WARNING: Be careful not to overload the hook as too much force. Otherwise irregular overburden may cause damages to the tool resulting in personal injury.

CAUTION: When installing the hook, always secure it with the screw firmly. If not, the hook may come off from the tool and result in the personal injury.

CAUTION: Make sure to hang the tool securely before releasing your hold. Insufficient or unbalanced hooking may cause falling off and you may be injured.

CAUTION: Use the carabiner that has sufficient strength. Otherwise the carabiner may break and cause injury.

The tool can be hooked onto the carabiner by using the hook.

► Fig.26: 1. Hook 2. Carabiner

The hook can be installed on either side of the tool. To install the hook, insert it into the hole in the tool, and then secure the hook with a screw. To remove, loosen the screw and then take it out.

► Fig.27: 1. Hole 2. Hook 3. Screw

WIRELESS ACTIVATION FUNCTION

What you can do with the wireless activation function

The wireless activation function enables clean and comfortable operation. By connecting a supported vacuum cleaner to the tool, you can run the vacuum cleaner automatically along with the switch operation of the tool.

► Fig.28

To use the wireless activation function, prepare following items:

- A wireless unit (optional accessory)
- A vacuum cleaner which supports the wireless activation function

The overview of the wireless activation function setting is as follows. Refer to each section for detail

procedures.

1. Installing the wireless unit
2. Tool registration for the vacuum cleaner
3. Starting the wireless activation function

Installing the wireless unit

Optional accessory

CAUTION: Place the tool on a flat and stable surface when installing the wireless unit.

NOTICE: Clean the dust and dirt on the tool before installing the wireless unit. Dust or dirt may cause malfunction if it comes into the slot of the wireless unit.

NOTICE: To prevent the malfunction caused by static, touch a static discharging material, such as a metal part of the tool, before picking up the wireless unit.

NOTICE: When installing the wireless unit, always be sure that the wireless unit is inserted in the correct direction and the lid is completely closed.

1. Open the lid on the tool as shown in the figure.

► Fig.29: 1. Lid

2. Insert the wireless unit to the slot and then close the lid.

When inserting the wireless unit, align the projections with the recessed portions on the slot.

► Fig.30: 1. Wireless unit 2. Projection 3. Lid
4. Recessed portion

When removing the wireless unit, open the lid slowly. The hooks on the back of the lid will lift the wireless unit as you pull up the lid.

► Fig.31: 1. Wireless unit 2. Hook 3. Lid

After removing the wireless unit, keep it in the supplied case or a static-free container.

NOTICE: Always use the hooks on the back of the lid when removing the wireless unit. If the hooks do not catch the wireless unit, close the lid completely and open it slowly again.

Tool registration for the vacuum cleaner

NOTE: A Makita vacuum cleaner supporting the wireless activation function is required for the tool registration.

NOTE: Finish installing the wireless unit to the tool before starting the tool registration.

NOTE: During the tool registration, do not pull the switch trigger or turn on the power switch on the vacuum cleaner.

NOTE: Refer to the instruction manual of the vacuum cleaner, too.

If you wish to activate the vacuum cleaner along with the switch operation of the tool, finish the tool registration beforehand.

1. Install the batteries to the vacuum cleaner and the tool.

2. Set the stand-by switch on the vacuum cleaner to "AUTO".

► Fig.32: 1. Stand-by switch

3. Press the wireless activation button on the vacuum cleaner for 3 seconds until the wireless activation lamp blinks in green. And then press the wireless activation button on the tool in the same way.

► Fig.33: 1. Wireless activation button 2. Wireless activation lamp

If the vacuum cleaner and the tool are linked successfully, the wireless activation lamps will light up in green for 2 seconds and start blinking in blue.

NOTE: The wireless activation lamps finish blinking in green after 20 seconds elapsed. Press the wireless activation button on the tool while the wireless activation lamp on the cleaner is blinking. If the wireless activation lamp does not blink in green, push the wireless activation button briefly and hold it down again.

NOTE: When performing two or more tool registrations for one vacuum cleaner, finish the tool registration one by one.

Starting the wireless activation function

NOTE: Finish the tool registration for the vacuum cleaner prior to the wireless activation.

NOTE: Refer to the instruction manual of the vacuum cleaner, too.

After registering a tool to the vacuum cleaner, the vacuum cleaner will automatically run along with the switch operation of the tool.

1. Install the wireless unit to the tool.

2. Connect the hose of the vacuum cleaner with the tool.

► Fig.34

3. Set the stand-by switch on the vacuum cleaner to "AUTO".

► Fig.35: 1. Stand-by switch

4. Push the wireless activation button on the tool briefly. The wireless activation lamp will blink in blue.

► Fig.36: 1. Wireless activation button 2. Wireless activation lamp

5. Turn on the tool. Check if the vacuum cleaner runs while the tool is operating.

To stop the wireless activation of the vacuum cleaner, push the wireless activation button on the tool.

NOTE: The wireless activation lamp on the tool will stop blinking in blue when there is no operation for 2 hours. In this case, set the stand-by switch on the vacuum cleaner to "AUTO" and push the wireless activation button on the tool again.

NOTE: The vacuum cleaner starts/stops with a delay. There is a time lag when the vacuum cleaner detects a switch operation of the tool.









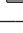
NOTE: The transmission distance of the wireless unit may vary depending on the location and surrounding circumstances.

NOTE: When two or more tools are registered to one vacuum cleaner, the vacuum cleaner may start running even if you do not turn on your tool because another user is using the wireless activation function.

Description of the wireless activation lamp status

► Fig.37: 1. Wireless activation lamp

The wireless activation lamp shows the status of the wireless activation function. Refer to the table below for the meaning of the lamp status.

Status	Wireless activation lamp			Duration	Description
	Color	 On	 Blinking		
Standby	Blue			2 hours	The wireless activation of the vacuum cleaner is available. The lamp will automatically turn off when no operation is performed for 2 hours.
				When the tool is running.	The wireless activation of the vacuum cleaner is available and the tool is running.
Tool registration	Green			20 seconds	Ready for the tool registration. Waiting for the registration by the vacuum cleaner.
				2 seconds	The tool registration has been finished. The wireless activation lamp will start blinking in blue.
Cancelling tool registration	Red			20 seconds	Ready for the cancellation of the tool registration. Waiting for the cancellation by the vacuum cleaner.
				2 seconds	The cancellation of the tool registration has been finished. The wireless activation lamp will start blinking in blue.
Others	Red			3 seconds	The power is supplied to the wireless unit and the wireless activation function is starting up.
	Off	-		-	The wireless activation of the vacuum cleaner is stopped.

Cancelling tool registration for the vacuum cleaner

Perform the following procedure when cancelling the tool registration for the vacuum cleaner.

1. Install the batteries to the vacuum cleaner and the tool.

2. Set the stand-by switch on the vacuum cleaner to "AUTO".

► Fig.38: 1. Stand-by switch

3. Press the wireless activation button on the vacuum cleaner for 6 seconds. The wireless activation lamp blinks in green and then become red. After that,

press the wireless activation button on the tool in the same way.

► Fig.39: 1. Wireless activation button 2. Wireless activation lamp

If the cancellation is performed successfully, the wireless activation lamps will light up in red for 2 seconds and start blinking in blue.

NOTE: The wireless activation lamps finish blinking in red after 20 seconds elapsed. Press the wireless activation button on the tool while the wireless activation lamp on the cleaner is blinking. If the wireless activation lamp does not blink in red, push the wireless activation button briefly and hold it down again.

Troubleshooting for wireless activation function

Before asking for repairs, conduct your own inspection first. If you find a problem that is not explained in the manual, do not attempt to dismantle the tool. Instead, ask Makita Authorized Service Centers, always using Makita replacement parts for repairs.

State of abnormality	Probable cause (malfunction)	Remedy
The wireless activation lamp does not light/blink.	The wireless unit is not installed into the tool. The wireless unit is improperly installed into the tool.	Install the wireless unit correctly.
	The terminal of the wireless unit and/or the slot is dirty.	Gently wipe off dust and dirt on the terminal of the wireless unit and clean the slot.
	The wireless activation button on the tool has not been pushed.	Push the wireless activation button on the tool briefly.
	The stand-by switch on the vacuum cleaner is not set to "AUTO".	Set the stand-by switch on the vacuum cleaner to "AUTO".
	No power supply	Supply the power to the tool and the vacuum cleaner.
Cannot finish tool registration / cancelling tool registration successfully.	The wireless unit is not installed into the tool. The wireless unit is improperly installed into the tool.	Install the wireless unit correctly.
	The terminal of the wireless unit and/or the slot is dirty.	Gently wipe off dust and dirt on the terminal of the wireless unit and clean the slot.
	The stand-by switch on the vacuum cleaner is not set to "AUTO".	Set the stand-by switch on the vacuum cleaner to "AUTO".
	No power supply	Supply the power to the tool and the vacuum cleaner.
	Incorrect operation	Push the wireless activation button briefly and perform the tool registration/cancellation procedures again.
	The tool and vacuum cleaner are away from each other (out of the transmission range).	Get the tool and vacuum cleaner closer to each other. The maximum transmission distance is approximately 10 m however it may vary according to the circumstances.
	Before finishing the tool registration/cancellation; - the switch of the tool is turned on or; - the power button on the vacuum cleaner is turned on.	Push the wireless activation button briefly and perform the tool registration/cancellation procedures again.
	The tool registration procedures for the tool or vacuum cleaner have not finished.	Perform the tool registration procedures for both the tool and the vacuum cleaner at the same timing.
Radio disturbance by other appliances which generate high-intensity radio waves.	Keep the tool and vacuum cleaner away from the appliances such as Wi-Fi devices and microwave ovens.	

State of abnormality	Probable cause (malfunction)	Remedy
The vacuum cleaner does not run along with the switch operation of the tool.	The wireless unit is not installed into the tool. The wireless unit is improperly installed into the tool.	Install the wireless unit correctly.
	The terminal of the wireless unit and/or the slot is dirty.	Gently wipe off dust and dirt on the terminal of the wireless unit and clean the slot.
	The wireless activation button on the tool has not been pushed.	Push the wireless activation button briefly and make sure that the wireless activation lamp is blinking in blue.
	The stand-by switch on the vacuum cleaner is not set to "AUTO".	Set the stand-by switch on the vacuum cleaner to "AUTO".
	More than 10 tools are registered to the vacuum cleaner.	Perform the tool registration again. If more than 10 tools are registered to the vacuum cleaner, the tool registered earliest will be cancelled automatically.
	The vacuum cleaner erased all tool registrations.	Perform the tool registration again.
	No power supply	Supply the power to the tool and the vacuum cleaner.
	The tool and vacuum cleaner are away from each other (out of the transmission range).	Get the tool and vacuum cleaner closer each other. The maximum transmission distance is approximately 10 m however it may vary according to the circumstances.
	Radio disturbance by other appliances which generate high-intensity radio waves.	Keep the tool and vacuum cleaner away from the appliances such as Wi-Fi devices and microwave ovens.
The vacuum cleaner runs while the tool is not operating.	Other users are using the wireless activation of the vacuum cleaner with their tools.	Turn off the wireless activation button of the other tools or cancel the tool registration of the other tools.

MAINTENANCE

⚠ CAUTION: Always be sure that the tool is switched off and the battery cartridge is removed before attempting to perform inspection or maintenance.

NOTICE: Never use gasoline, benzene, thinner, alcohol or the like. Discoloration, deformation or cracks may result.

To maintain product SAFETY and RELIABILITY, repairs, any other maintenance or adjustment should be performed by Makita Authorized or Factory Service Centers, always using Makita replacement parts.

After use

Wipe off the tool using a dry cloth or cloth slightly moistened with soapy water at regular intervals.

Replacing the pad

Replace the pad when the following case.

- When the hook-and-loop fastener on the pad wears out.
- When you want to change the pad from rectangular to delta or vice versa.

1. Loosen and remove the screws securing the pad and base from the tool.

▶ **Fig.40:** 1. Screw 2. Pad 3. Base

2. Replace the current pad and base with an other pad and base.

3. Re-tighten the screws firmly to secure the pad.

OPTIONAL ACCESSORIES

⚠ CAUTION: These accessories or attachments are recommended for use with your Makita tool specified in this manual. The use of any other accessories or attachments might present a risk of injury to persons. Only use accessory or attachment for its stated purpose.

If you need any assistance for more details regarding these accessories, ask your local Makita Service Center.

- Abrasive paper (hook and loop)
- Pad saver
- Rectangular pad
- Delta pad
- Dust bag
- Harness
- Protection cover
- Battery adapter
- Wireless unit
- Makita genuine battery and charger

NOTE: Some items in the list may be included in the tool package as standard accessories. They may differ from country to country.

SPÉCIFICATIONS

Modèle :		BO005CG	BO006CG
Plateau équipé de série		Plateau rectangulaire	Plateau delta
Papier abrasif	Pour plateau rectangulaire	80 mm x 130 mm	
	Pour plateau delta	100 mm x 150 mm	
Nombre d'oscillations par minute		6 000 à 10 000 min ⁻¹	
Diamètre d'excentration		3,0 mm	
Longueur totale		236 mm	263 mm
Tension nominale		36 V - 40 V c.c. max.	
Poids net *1		0,93 kg	

- Étant donné l'évolution constante de notre programme de recherche et de développement, les spécifications contenues dans ce manuel sont sujettes à modification sans préavis.
- Les spécifications peuvent varier suivant les pays.
- Le poids selon la procédure EPTA 01/2014 est indiqué dans le tableau.

*1 : Poids sans accessoires ou batterie(s)

Batterie et chargeur applicables

Batterie	BL4020* / BL4025* / BL4040* / BL4040F* / BL4050F / BL4080F * : Batterie recommandée
Chargeur	DC40RA / DC40RB / DC40RC / DC40WA

- Certains chargeurs et batteries répertoriés ci-dessus peuvent ne pas être disponibles selon la région où vous résidez.

⚠ AVERTISSEMENT : N'utilisez que les batteries et les chargeurs répertoriés ci-dessus. L'utilisation d'autres batteries et chargeurs peut provoquer des blessures et/ou un incendie.

Source d'alimentation connectée par cordon recommandée

Support d'alimentation portable	PDC01 / PDC1200 / PDC1500
---------------------------------	---------------------------

- La ou les sources d'alimentation connectées par cordon répertoriées ci-dessus peuvent ne pas être disponibles selon la région où vous résidez.
- Avant d'utiliser la source d'alimentation connectée par cordon, lisez les instructions et les avertissements inscrits dessus.

Symboles

Vous trouverez ci-dessous les symboles susceptibles d'être utilisés pour l'appareil. Veuillez à comprendre leur signification avant toute utilisation.



Lire le mode d'emploi.



Portez une protection oculaire.



Veuillez être prudent et rester attentif.



Afin de réduire le risque de blessure, éloignez le cordon des obstacles.



Ne maltraitez pas le cordon. Un cordon endommagé présente un risque accru de blessure.



Pour les pays de l'Union européenne uniquement

En raison de la présence de composants dangereux dans l'équipement, les déchets d'équipements électriques et électroniques, les accumulateurs et les batteries peuvent avoir un impact négatif sur l'environnement et la santé humaine.

Ne jetez pas les appareils électriques et électroniques ou les batteries avec les ordures ménagères ! Conformément à la directive européenne relative aux déchets d'équipements électriques et électroniques et aux déchets d'accumulateurs et de batteries, ainsi qu'à son adaptation à la législation nationale, les déchets d'équipements électriques, les batteries et les accumulateurs doivent être collectés séparément et déposés dans un point de collecte distinct pour déchets urbains, conformément aux réglementations en matière de protection de l'environnement.

Cela est indiqué par le symbole de la poubelle à roulettes barrée sur l'équipement.

Utilisations

L'outil est conçu pour le ponçage des grandes surfaces de bois, de plastique et de métal, ainsi que des surfaces peintes.

Bruit

Niveau de bruit pondéré A typique, déterminé selon EN62841-2-4 :

Modèle	Niveau de pression sonore (L_{pA}) : (dB (A))	Incertitude (K) : (dB (A))
BO005CG	73	3
BO006CG	76	3

Le niveau de bruit en fonctionnement peut dépasser 80 dB (A).

NOTE : La ou les valeurs d'émission de bruit déclarées ont été mesurées conformément à la méthode de test standard et peuvent être utilisées pour comparer les outils entre eux.

NOTE : La ou les valeurs d'émission de bruit déclarées peuvent aussi être utilisées pour l'évaluation préliminaire de l'exposition.

⚠ AVERTISSEMENT : Portez un serre-tête antibruit.

⚠ AVERTISSEMENT : L'émission de bruit lors de l'usage réel de l'outil électrique peut être différente de la ou des valeurs déclarées, suivant la façon dont l'outil est utilisé, particulièrement selon le type de pièce usinée.

⚠ AVERTISSEMENT : Les mesures de sécurité à prendre pour protéger l'utilisateur doivent être basées sur une estimation de l'exposition dans des conditions réelles d'utilisation (en tenant compte de toutes les composantes du cycle d'utilisation, comme par exemple le moment de sa mise hors tension, lorsqu'il tourne à vide et le moment de son déclenchement).

Vibrations

Valeur totale de vibrations (somme de vecteur triaxial) déterminée selon EN62841-2-4 :

Mode de travail : ponçage de la tôle

Modèle	Émission de vibrations ($a_{h, AG}$) : (m/s^2)	Incertitude (K) : (m/s^2)
BO005CG	2,6	1,5
BO006CG	2,6	1,5

NOTE : La ou les valeurs de vibration totales déclarées ont été mesurées conformément à la méthode de test standard et peuvent être utilisées pour comparer les outils entre eux.

NOTE : La ou les valeurs de vibration totales déclarées peuvent aussi être utilisées pour l'évaluation préliminaire de l'exposition.

⚠ AVERTISSEMENT : L'émission de vibrations lors de l'usage réel de l'outil électrique peut être différente de la ou des valeurs déclarées, suivant la façon dont l'outil est utilisé, particulièrement selon le type de pièce usinée.

⚠ AVERTISSEMENT : Les mesures de sécurité à prendre pour protéger l'utilisateur doivent être basées sur une estimation de l'exposition dans des conditions réelles d'utilisation (en tenant compte de toutes les composantes du cycle d'utilisation, comme par exemple le moment de sa mise hors tension, lorsqu'il tourne à vide et le moment de son déclenchement).

Déclarations de conformité

Pour les pays européens uniquement

Les déclarations de conformité sont fournies en Annexe A à ce mode d'emploi.

CONSIGNES DE SÉCURITÉ

Consignes de sécurité générales pour outils électriques

⚠ AVERTISSEMENT Veuillez lire toutes les consignes de sécurité, instructions, illustrations et spécifications qui accompagnent cet outil électrique. Le non-respect de toutes les instructions indiquées ci-dessous peut entraîner une électrocution, un incendie et/ou de graves blessures.

Conservez toutes les mises en garde et instructions pour référence ultérieure.

Le terme « outil électrique » dans les avertissements fait référence à l'outil électrique alimenté par le secteur (avec cordon d'alimentation) ou à l'outil électrique fonctionnant sur batterie (sans cordon d'alimentation).

Consignes de sécurité pour ponceuse

1. Utilisez toujours des lunettes de protection ou des lunettes à coques. Des lunettes ordinaires ou de soleil NE sont PAS des lunettes de protection.
2. Tenez l'outil fermement.
3. Ne vous éloignez pas de l'outil quand il fonctionne. Ne faites fonctionner l'outil que lorsque vous le tenez en main.
4. L'outil n'étant pas étanche, n'utilisez pas d'eau sur la surface de travail.
5. Ventilez bien l'aire de travail quand vous effectuez un ponçage.
6. Certains matériaux contiennent des produits chimiques qui peuvent être toxiques. Prenez les précautions nécessaires pour ne pas inhaler les poussières qu'ils dégagent et pour éviter tout contact avec la peau. Conformez-vous aux consignes de sécurité du fournisseur du matériau.
7. L'utilisation de cet outil pour poncer certains types de produit, peinture et bois peut exposer l'utilisateur à des poussières contenant des substances dangereuses. Utilisez une protection des voies respiratoires adéquate.
8. Avant l'utilisation, assurez-vous que le plateau n'est ni fissuré ni cassé. Il y a risque de blessure s'il est fissuré ou cassé.
9. Regardez où vous posez les pieds et maintenez un bon équilibre pendant l'utilisation de l'outil. Assurez-vous que personne ne se trouve dessous lorsque vous utilisez l'outil en hauteur. La chute de haut de composants de votre outil/machine peut provoquer de graves blessures.
10. N'utilisez pas d'accessoires non recommandés par le fabricant. La sécurité des accessoires non recommandés par le fabricant n'est pas garantie même si vous parvenez à les fixer.
11. Éloignez vos mains et votre corps du dessous de l'outil pendant l'utilisation.

CONSERVEZ CES INSTRUCTIONS.

⚠ AVERTISSEMENT : NE vous laissez PAS tromper (au fil d'une utilisation répétée) par un sentiment d'aisance et de familiarité avec le produit, en négligeant le respect rigoureux des consignes de sécurité qui accompagnent le produit en question. La MAUVAISE UTILISATION de l'outil ou l'ignorance des consignes de sécurité indiquées dans ce mode d'emploi peut entraîner de graves blessures.

Consignes de sécurité pour adaptateur de batterie

1. Si le cordon chauffe, cessez d'utiliser le produit et éteignez l'outil/la machine. Laissez-les refroidir avant de reprendre la tâche.
2. Lorsque vous transportez ou laissez l'outil/la

machine sans surveillance, retirez-en l'adaptateur ou décrochez le porte-batterie de votre corps, etc.

- Le cordon pourrait se prendre dans les personnes ou les obstacles à proximité et provoquer des blessures.
 - Vous pourriez sans le vouloir tirer sur l'outil/la machine raccordé(e) à votre corps et trébucher ou provoquer la chute de l'outil/la machine, ce qui présente un risque de blessure.
3. **Pendant que vous utilisez le produit en hauteur, utilisez toujours une courroie de sécurité.** Soyez conscient qu'une chute accidentelle de l'outil/la machine pourrait vous faire perdre l'équilibre et vous pourriez tomber de haut.
 4. **Ne rangez ni n'utilisez ce produit si son cordon est entortillé.** Un cordon endommagé ou enchevêtré pourrait augmenter le risque d'une électrocution ou d'un incendie en raison d'un court-circuit du câblage.
 5. **Vérifiez l'absence d'anomalies sur le cordon et les composants du produit avant de l'utiliser.** En cas d'anomalies, cessez immédiatement d'utiliser le produit et confiez sa réparation à un centre d'entretien ou d'usine Makita agréé.

Consignes de sécurité importantes pour la batterie

1. Avant d'utiliser la batterie, lisez toutes les instructions et précautions relatives (1) au chargeur de batterie, (2) à la batterie, et (3) au produit utilisant la batterie.
2. **Ne désassemblez pas et ne modifiez pas la batterie.** Cela pourrait entraîner un incendie, une chaleur excessive ou une explosion.
3. **Cessez immédiatement l'utilisation si le temps de fonctionnement devient excessivement court.** Il y a risque de surchauffe, de brûlures, voire d'explosion.
4. **Si l'électrolyte pénètre dans vos yeux, rincez-les à l'eau claire et consultez immédiatement un médecin.** Il y a risque de perte de la vue.
5. **Ne court-circuitez pas la batterie :**
 - (1) Ne touchez les bornes avec aucun matériau conducteur.
 - (2) Évitez de ranger la batterie dans un conteneur avec d'autres objets métalliques, par exemple des clous, des pièces de monnaie, etc.
 - (3) N'exposez pas la batterie à l'eau ou à la pluie.Un court-circuit de la batterie peut provoquer une intensité de courant élevée, une surchauffe, parfois des brûlures et même une panne.
6. **Ne rangez ni n'utilisez l'outil et la batterie dans un endroit où la température risque d'atteindre ou de dépasser 50 °C.**
7. **Ne jetez pas la batterie au feu même si elle est sérieusement endommagée ou complètement épuisée.** La batterie peut exploser au contact du feu.

8. **Abstenez-vous de clouer, couper, écraser, jeter, laisser tomber la batterie, ou de la heurter contre un objet dur.** Cela pourrait entraîner un incendie, une chaleur excessive ou une explosion.
9. **N'utilisez pas la batterie si elle est endommagée.**
10. **Les batteries au lithium-ion contenues sont soumises aux exigences de la législation sur les marchandises dangereuses.**
Lors du transport commercial par des tierces parties ou des transitaires par exemple, des exigences spécifiques en matière d'étiquetage et d'emballage doivent être respectées.
Pour la préparation de l'article expédié, il est nécessaire de consulter un expert en matériau dangereux. Veuillez également respecter les réglementations nationales susceptibles d'être plus détaillées.
Recouvrez les contacts exposés avec du ruban adhésif ou du ruban de masquage et emballez la batterie de telle sorte qu'elle ne puisse pas bouger dans l'emballage.
11. **Lors de la mise au rebut de la batterie, retirez-la de l'outil et jetez-la en lieu sûr. Suivez les réglementations locales en matière de mise au rebut des batteries.**
12. **Utilisez les batteries uniquement avec les produits spécifiés par Makita.** L'insertion de batteries dans des produits non conformes peut provoquer un incendie, une chaleur excessive, une explosion ou une fuite de l'électrolyte.
13. **Lorsque vous n'utilisez pas l'outil pendant une période prolongée, la batterie doit être retirée de l'outil.**
14. **Pendant et après l'utilisation, la batterie peut chauffer, ce qui peut entraîner des brûlures, y compris en cas de température relativement basse. Manipulez les batteries chaudes avec précaution.**
15. **Ne touchez pas la borne de l'outil immédiatement après utilisation car elle peut être assez chaude pour provoquer des brûlures.**
16. **Évitez que des copeaux, de la poussière ou du sol adhèrent aux bornes, aux trous et aux rainures de la batterie.** Cela peut provoquer un échauffement, un incendie, une explosion ou un dysfonctionnement de l'outil ou de la batterie, ce qui peut entraîner des brûlures ou des blessures.
17. **À moins que l'outil prenne en charge un tel usage, n'utilisez pas la batterie à proximité de lignes électriques haute tension.** Cela pourrait entraîner un dysfonctionnement ou casser l'outil ou la batterie.
18. **Conservez la batterie hors de portée des enfants.**

CONSERVEZ CES INSTRUCTIONS.

⚠ATTENTION : N'utilisez que des batteries Makita d'origine. L'utilisation de batteries de marque autre que Makita ou de batteries modifiées peut provoquer l'explosion des batteries, ce qui présente un risque d'incendie, de dommages matériels et corporels. Cela annulera également la garantie Makita pour l'outil et le chargeur Makita.

Conseils pour assurer la durée de vie optimale de la batterie

1. **Chargez la batterie avant qu'elle ne soit complètement déchargée. Arrêtez toujours l'outil et rechargez la batterie quand vous remarquez que la puissance de l'outil diminue.**
2. **Ne rechargez jamais une batterie complètement chargée. La surcharge réduit la durée de service de la batterie.**
3. **Chargez la batterie à une température ambiante comprise entre 10 °C et 40 °C. Avant de charger une batterie chaude, laissez-la refroidir.**
4. **Lorsque vous n'utilisez pas la batterie, retirez-la de l'outil ou du chargeur.**
5. **Rechargez la batterie si elle est restée inutilisée pendant une période prolongée (plus de six mois).**

Consignes de sécurité importantes pour le connecteur sans fil

1. **Ne démontez ni ne modifiez le connecteur sans fil.**
2. **Conservez le connecteur sans fil hors de portée des jeunes enfants. En cas d'ingestion accidentelle, consultez immédiatement un médecin.**
3. **Utilisez le connecteur sans fil uniquement avec des outils Makita.**
4. **N'exposez pas le connecteur sans fil à la pluie ou à l'humidité.**
5. **N'utilisez pas le connecteur sans fil dans un endroit où la température dépasse 50 °C.**
6. **Ne faites pas fonctionner le connecteur sans fil dans un endroit où des appareils médicaux comme des simulateurs cardiaques sont utilisés.**
7. **Ne faites pas fonctionner le connecteur sans fil dans un endroit où des appareils automatiques sont utilisés.** Sinon, ces appareils pourraient présenter un dysfonctionnement ou une erreur.
8. **N'utilisez pas le connecteur sans fil dans un endroit à température élevée ou dans un endroit susceptible de générer de l'électricité statique ou du bruit électrique.**
9. **Le connecteur sans fil peut produire des champs électromagnétiques (CEM), mais ceux-ci ne sont pas dangereux pour l'utilisateur.**
10. **Le connecteur sans fil est un instrument de précision. Évitez de laisser tomber ou de cogner le connecteur sans fil.**
11. **Évitez de toucher la borne du connecteur sans**

fil avec les mains nues ou avec des objets métalliques.

12. Retirez toujours la batterie du produit avant d'y installer le connecteur sans fil.
13. Évitez d'ouvrir le couvercle de la fente dans un endroit où de la poussière ou de l'eau pourrait pénétrer dans la fente. Maintenez toujours propre l'entrée de la fente.
14. Insérez toujours le connecteur sans fil dans le bon sens.
15. N'appuyez pas trop fort sur le bouton d'activation sans fil du connecteur sans fil, ni n'appuyez dessus avec un objet pointu.
16. Fermez toujours le couvercle de la fente pendant le fonctionnement.
17. Ne retirez pas le connecteur sans fil de la fente alors que l'outil est sous tension. Vous risqueriez de provoquer un dysfonctionnement du connecteur sans fil.
18. Ne retirez pas l'autocollant du connecteur sans fil.
19. Ne placez pas d'autocollant sur le connecteur sans fil.
20. Ne laissez pas le connecteur sans fil dans un endroit susceptible de générer de l'électricité statique ou du bruit électrique.
21. Ne laissez pas le connecteur sans fil dans un endroit soumis à une forte chaleur, comme une voiture en plein soleil.
22. Ne laissez pas le connecteur sans fil dans un endroit poussiéreux ou sablonneux ou dans un endroit susceptible de générer des gaz corrosifs.
23. De la condensation peut se former sur le connecteur sans fil en cas de brusque changement de température. N'utilisez pas le connecteur sans fil tant que la condensation n'a pas complètement séché.
24. Pour nettoyer le connecteur sans fil, essuyez-le délicatement avec un chiffon doux et sec. N'utilisez pas de benzine, diluant, graisse conductrice ou autre.
25. Rangez le connecteur sans fil en le conservant dans l'étui fourni ou dans un récipient anti-statique.
26. N'insérez pas d'autres dispositifs que le connecteur sans fil Makita dans la fente sur l'outil.
27. N'utilisez pas l'outil si le couvercle de la fente est endommagé. L'eau, la poussière ou la saleté pourraient pénétrer dans la fente provoquant un dysfonctionnement.
28. Ne tirez, ni ne tordez plus que nécessaire le couvercle de la fente. Remettez le couvercle en place s'il se détache de l'outil.
29. Remplacez le couvercle de la fente si vous le perdez ou l'endommagez.

CONSERVEZ CES INSTRUCTIONS.

DESCRIPTION DU FONCTIONNEMENT

⚠ ATTENTION : Assurez-vous toujours que l'outil est hors tension et que sa batterie est retirée avant de l'ajuster ou de vérifier son fonctionnement.

Insertion ou retrait de la batterie

⚠ ATTENTION : Éteignez toujours l'outil avant de mettre en place ou de retirer la batterie.

⚠ ATTENTION : Tenez fermement l'outil et la batterie lors de la mise en place ou du retrait de la batterie. Si vous ne tenez pas fermement l'outil et la batterie, ils peuvent vous glisser des mains, et s'abîmer ou vous blesser.

Pour mettre la batterie en place, alignez la languette de la batterie avec la rainure du compartiment puis insérez la batterie. Insérez-la entièrement jusqu'à entendre un léger déclic indiquant qu'elle est bien en place. Si vous pouvez voir l'indicateur rouge comme illustré sur la figure, c'est qu'elle n'est pas bien verrouillée.

Pour retirer la batterie, faites-la glisser hors de l'outil tout en faisant glisser le bouton à l'avant de la batterie.

► Fig.1: 1. Indicateur rouge 2. Bouton 3. Batterie

⚠ ATTENTION : Insérez toujours complètement la batterie jusqu'à ce que l'indicateur rouge ne soit plus visible. Sinon, elle pourrait tomber accidentellement de l'outil, au risque de vous blesser ou de blesser quelqu'un se trouvant près de vous.




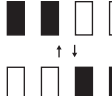
⚠ ATTENTION : N'insérez pas la batterie de force. Si elle ne glisse pas facilement, c'est que vous ne l'insérez pas correctement.

Indication de la charge restante de la batterie

Appuyez sur le bouton de vérification sur la batterie pour indiquer la charge restante de la batterie. Les témoins s'allument pendant quelques secondes.

► Fig.2: 1. Témoins 2. Bouton de vérification

Témoins			Charge restante
Allumé	Éteint	Clignotant	
			75 % à 100 %
			50 % à 75 %
			25 % à 50 %
			0 % à 25 %
			Chargez la batterie.

Témoins			Charge restante
 Allumé	 Éteint	 Clignotant	
			Anomalie possible de la batterie.

NOTE : Selon les conditions d'utilisation et la température ambiante, l'indication peut être légèrement différente de la capacité réelle.

NOTE : Le premier témoin (complètement à gauche) clignotera pendant le fonctionnement du système de protection de la batterie.

Fonctionnement de la gâchette

⚠ATTENTION : Évitez de mettre l'outil sous tension alors qu'il est placé sur la pièce ou sur un établi. Cela pourrait provoquer des dommages corporels ou matériels.

Mise sous et hors tension de l'outil

Appuyez sur le bouton d'alimentation pour démarrer l'outil.

Appuyez de nouveau sur le bouton d'alimentation pour l'arrêter.

► Fig.3: 1. Bouton d'alimentation

Cadran de réglage de la vitesse

REMARQUE : Si l'outil est utilisé de manière continue à vitesse basse sur une période prolongée, le moteur surchauffera, entraînant un dysfonctionnement de l'outil.

REMARQUE : Le cadran de réglage de la vitesse ne peut pas être tourné plus haut que 5 ou plus bas que 1. N'essayez pas de le placer au-delà de 5 ou en dessous de 1, sinon le réglage de la vitesse risque de ne plus fonctionner.

Il est possible de modifier la vitesse de rotation en faisant tourner le cadran de réglage de la vitesse. Une vitesse plus élevée est obtenue lorsque le cadran est tourné en direction du numéro 5. Une vitesse moins élevée est obtenue lorsque le cadran est tourné en direction du numéro 1.

Reportez-vous au tableau pour le rapport entre les réglages numérotés sur le cadran et la vitesse approximative de rotation.

Numéro	Nombre d'oscillations par minute
1	6 000
2	6 500
3	8 000
4	9 500
5	10 000

► Fig.4: 1. Cadran de réglage de la vitesse

Fonction électronique

L'outil est doté de la ou des fonctions électroniques suivantes pour en faciliter le fonctionnement.

Fonction de démarrage en douceur

La fonction de démarrage en douceur réduit le choc de démarrage.

Commande de vitesse constante

Commande électronique de la vitesse pour obtenir une vitesse constante.

Cette fonction permet une finition fine, car la vitesse de l'outil reste constante même sous charge.

Frein électrique

Le frein électrique arrête rapidement l'outil par sécurité et pour un fonctionnement pratique.

Fonction de prévention de redémarrage accidentel

Lorsqu'une source d'alimentation (par exemple, une batterie, etc.) est connectée à l'outil alors que vous appuyez sur le bouton d'alimentation, l'outil ne démarre pas.

Pour démarrer l'outil, appuyez de nouveau sur le bouton d'alimentation.

Système de protection de l'outil/la batterie

L'outil est équipé d'un système de protection de l'outil/la batterie. Ce système coupe automatiquement l'alimentation vers le moteur pour prolonger la durée de vie de l'outil et de la batterie. Si l'outil ou la batterie se trouve dans l'une des situations suivantes, l'outil cessera automatiquement de fonctionner.

Protection contre la surcharge

Lorsque l'outil ou la batterie est utilisé d'une manière provoquant un appel de courant anormalement élevé, l'outil s'arrête automatiquement sans indication. Dans ce cas, éteignez l'outil et arrêtez la tâche ayant provoqué la surcharge de l'outil. Puis rallumez l'outil pour reprendre la tâche.

Protection contre la surchauffe

En cas de surchauffe de l'outil ou de la batterie, l'outil s'arrête automatiquement. Dans ce cas, laissez l'outil et la batterie refroidir avant de rallumer l'outil.

Protection contre la décharge totale de la batterie

Lorsque la charge de la batterie est insuffisante, l'outil s'arrête automatiquement. Dans ce cas, retirez la batterie de l'outil et chargez-la.

Protections contre d'autres causes

Le système de protection est également conçu pour d'autres causes qui pourraient endommager l'outil

et lui permet de s'arrêter automatiquement. Suivez toutes les étapes ci-dessous pour éliminer les causes, lorsque l'outil a été arrêté provisoirement ou a cessé de fonctionner.

1. Assurez-vous que tous les interrupteurs sont sur la position d'arrêt, puis remettez l'outil sous tension pour le redémarrer.
2. Chargez la ou les batteries ou remplacez-les par des batteries rechargées.
3. Laissez l'outil et la ou les batteries refroidir.

En l'absence d'amélioration après avoir rétabli le système de protection, contactez votre centre de service Makita local.

ASSEMBLAGE

⚠ ATTENTION : Assurez-vous toujours que l'outil est hors tension et que sa batterie est retirée avant d'effectuer toute tâche dessus.

Pose ou dépose du protecteur de plateau

Le protecteur de plateau empêche l'usure du revêtement velcro sur le plateau.

1. Pour installer le protecteur de plateau, enlevez toute la saleté et tout corps étranger du plateau.
 2. Fixez le protecteur de plateau sur le plateau en alignant les orifices d'aspiration de la poussière sur le protecteur de plateau avec ceux du plateau.
- **Fig.5:** 1. Protecteur de plateau 2. Plateau
3. Orifices d'aspiration de la poussière

Lorsque le revêtement velcro sur le protecteur de plateau est usé, retirez le protecteur de plateau et installez-en un neuf.

Pour retirer le protecteur de plateau, décollez-le par le bord.

Pose ou dépose du papier abrasif

⚠ ATTENTION : Assurez-vous que le papier abrasif est solidement fixé avant utilisation. Autrement le papier abrasif pourrait se retirer facilement et provoquer un glissement ce qui entraîne un ponçage irrégulier.

⚠ ATTENTION : Assurez-vous que le plateau est solidement et fermement installé. Une mauvaise fixation entraînera un déséquilibre et des vibrations excessives, ce qui provoque une perte de contrôle.

⚠ ATTENTION : Assurez-vous que le plateau, le protecteur de plateau et le papier abrasif sont alignés et solidement fixés.

⚠ ATTENTION : Utilisez uniquement des papiers abrasifs. L'utilisation de papiers abrasifs sensibles à la pression est à exclure.

NOTE : Le papier abrasif peut également être fixé directement sur le plateau.

1. Enlevez toute la saleté et tout corps étranger du protecteur de plateau.
 2. Fixez une feuille abrasive sur le protecteur de plateau.
 - Pour les feuilles abrasives de type papier avec orifices d'aspiration de la poussière, alignez les orifices sur le papier avec ceux sur le protecteur de plateau.
 - Pour les feuilles abrasives de type bande, alignez la forme extérieure avec le protecteur de plateau.
- **Fig.6:** 1. Feuille abrasive 2. Protecteur de plateau
3. Orifices d'aspiration de la poussière

Pour retirer la feuille abrasive, décollez-la par le bord tout en tenant le protecteur de plateau afin de l'empêcher de se décoller en même temps.

Dispositif de protection

Le dispositif de protection empêche le plateau, le carter de l'outil et le mur d'être endommagés lorsque vous travaillez près d'un mur.

► **Fig.7:** 1. Dispositif de protection

Pour installer le dispositif de protection, alignez la languette du dispositif de protection sur la rainure et enfoncez le dispositif de protection.

Pour retirer le dispositif de protection, tirez-le vers l'avant tout en ouvrant les loquets.

► **Fig.8:** 1. Dispositif de protection 2. Rainure
3. Loquet

Mise en place et retrait du sac à poussière

Fixez l'ensemble du sac à poussière sur le bec à poussière à l'arrière du carter du moteur. Insérez l'orifice d'admission de la poussière à fond dans le bec à poussière jusqu'à ce qu'il se verrouille en place.

Pour retirer l'ensemble du sac à poussière, tenez et tirez le bouchon à poussière.

► **Fig.9:** 1. Bec à poussière 2. Orifice d'admission de la poussière 3. Bouchon à poussière 4. Sac à poussière

REMARQUE : Ne tenez pas le sac à poussière lorsque vous transportez l'outil. Autrement, l'outil pourrait tomber et être endommagé.

Élimination des poussières

Pour garantir une collecte optimale des poussières, videz le sac à poussière lorsqu'il est plein à environ la moitié de sa capacité.

1. Retirez le sac à poussière du bouchon à poussière tout en appuyant sur les deux boutons.
 2. Tapotez délicatement au bas du sac à poussière pour le vider.
- **Fig.10:** 1. Sac à poussière 2. Bouchon à poussière
3. Bouton

Raccordement à un aspirateur

Pour effectuer une opération de ponçage propre, raccordez un aspirateur Makita à l'outil.

REMARQUE : Lorsque vous utilisez l'outil avec un aspirateur dorsal, utilisez toujours le manchon avant (fourni avec l'outil). Cela permet de réduire l'électricité statique.

1. Retirez l'autre manchon du tuyau s'il est fixé.
2. Vissez le manchon avant fourni avec l'outil sur le tuyau. Assurez-vous que le manchon avant est bien vissé sur le tuyau.
► **Fig.11**: 1. Manchon avant (fourni avec l'outil) 2. Tuyau 3. Aspirateur 4. Autre manchon
3. Fixez le manchon avant sur le bec à poussière de l'outil.

Insérez à fond le manchon avant dans le bec à poussière, puis tournez en serrant le manchon avant dans le sens de la flèche illustrée sur la figure.

- **Fig.12**: 1. Bec à poussière 2. Manchon avant (fourni avec l'outil)

Pour un aspirateur autre que dorsal

Vous pouvez également connecter le tuyau avec le manchon avant 22 et le manchon avant 24. Le manchon avant 22 et le manchon avant 24 sont des accessoires en option ou des accessoires fournis avec l'aspirateur.

- **Fig.13**: 1. Manchon avant 22 (accessoire en option ou fourni avec l'aspirateur) 2. Manchon avant 24 (accessoire en option ou fourni avec l'aspirateur)

Mise en place ou retrait de l'adaptateur de batterie

REMARQUE : Assurez-vous que la poussière ne s'est pas accumulée au point de raccordement entre l'outil et l'adaptateur de batterie. Une accumulation de poussière pourrait provoquer un dysfonctionnement.

1. Pour installer l'adaptateur de batterie, alignez la flèche sur l'adaptateur de batterie avec celle sur l'outil.
2. Insérez l'adaptateur de batterie à fond jusqu'à ce qu'il se verrouille en place avec un petit déclic.
► **Fig.14**: 1. Outil 2. Adaptateur de batterie 3. Flèche

Pour retirer l'adaptateur de batterie, faites-le glisser pour le sortir tout en enfonçant les deux boutons.

- **Fig.15**: 1. Bouton

Installation de l'adaptateur de batterie

ATTENTION : N'utilisez pas l'outil si le cordon de raccordement est endommagé.

REMARQUE : Ne maltraitez pas le cordon de raccordement. Ne transportez pas l'outil en tirant sur le cordon de raccordement. Tenez le cordon de raccordement à l'écart de sources de chaleur, de l'huile ou de bords tranchants. Autrement, le cordon de raccordement pourrait être endommagé.

Suspendez l'adaptateur de batterie sur la ceinture ventrale.

Le porte-cordon aide à manipuler le cordon. Fixez le porte-cordon au besoin avec une vis sur la droite ou la gauche de l'adaptateur de batterie.

- **Fig.16**: 1. Porte-cordon

Attache de bras

L'attache de bras est pratique pour manipuler le cordon.

1. Placez l'attache de bras sur votre bras, puis ajustez sa longueur.
2. Enfoncez le cordon de raccordement à travers l'ouverture du support.
► **Fig.17**: 1. Attache de bras 2. Support avec ouverture

ATTENTION : Ne forcez pas l'ouverture sur le support. Le non-respect de cette consigne peut provoquer une déviation et l'endommager.

Collier de tuyau

Inclus dans l'adaptateur de batterie avec le cordon de 5 m (accessoire en option)

Lorsque vous utilisez l'aspirateur connecté à l'outil, le collier de tuyau peut servir à tenir le cordon et le tuyau pour empêcher leur enchevêtrement.

Tenez le cordon et le tuyau avec le collier de tuyau à des intervalles d'environ 1 m comme illustré sur la figure.

- **Fig.18**: 1. Collier de tuyau 2. Cordon 3. Tuyau 4. Environ 1 m

UTILISATION

Opération de ponçage

ATTENTION : Assurez-vous toujours que la pièce à travailler est solidement fixée.

ATTENTION : Portez un masque anti-poussière si vous travaillez avec beaucoup de poussières.

ATTENTION : Ne touchez pas le papier abrasif en rotation. Le non-respect de cette consigne peut entraîner des blessures.

REMARQUE : Ne faites jamais fonctionner l'outil sans papier abrasif. Vous risqueriez de gravement endommager le protecteur de plateau ou le plateau.

REMARQUE : Ne forcez jamais sur l'outil. Une pression trop importante peut diminuer l'efficacité du ponçage, endommager le papier abrasif et/ou réduire la durée de service de l'outil.

REMARQUE : N'utilisez pas l'outil pour le polissage. Ne fixez pas un accessoire de polissage comme une éponge sur l'outil. Autrement, un dysfonctionnement pourrait survenir.

Tenez fermement l'outil. Mettez l'outil sous tension et attendez qu'il atteigne la vitesse réglée. Puis placez délicatement l'outil sur la surface de la pièce. Maintenez

le plateau au ras de la pièce et ne poussez pas sur l'outil.

► Fig.19

Utilisation avec le harnais

Accessoire en option

Le harnais permet d'utiliser l'outil tout en transportant l'adaptateur de batterie sur votre dos.

Le mousqueton peut être fixé au harnais. L'outil peut être accroché sur le mousqueton au moyen du crochet. Pour l'installation du crochet, reportez-vous à « *Installation du crochet* ».

► Fig.20: 1. Harnais 2. Mousqueton

Fonctionnement avec la housse de protection

Accessoire en option

REMARQUE : Avant de sélectionner la housse de protection, assurez-vous qu'elle est compatible avec votre aspirateur dorsal. La housse de protection peut être fixée sur certains modèles d'aspirateur dorsal uniquement.

Exemples de modèles compatibles :

- VC008G / GCV05
- VC009G / GCV06

Les modèles ci-dessus ne sont qu'une partie des exemples. Pour en savoir plus, demandez à notre centre d'entretien si votre aspirateur dorsal est compatible avec la housse de protection.

La housse de protection protège l'aspirateur dorsal et l'adaptateur de batterie. Elle permet d'utiliser l'outil en transportant l'aspirateur dorsal et l'adaptateur de batterie ensemble sur votre dos.

1. Retirez les vis qui maintiennent en place le harnais de l'aspirateur dorsal.

► Fig.21: 1. Aspirateur dorsal 2. Harnais de l'aspirateur dorsal 3. Vis

2. Enveloppez l'aspirateur dorsal avec la housse de protection (pour aspirateur dorsal).

► Fig.22: 1. Housse de protection (pour aspirateur dorsal)

3. Maintenez en place le harnais de l'aspirateur dorsal en serrant les vis.

► Fig.23

4. Rangez les pièces de batterie de l'adaptateur de batterie dans la housse de protection (pour adaptateur de batterie), puis enrroulez la housse de protection (pour adaptateur de batterie) sur le harnais comme illustré sur la figure.

► Fig.24: 1. Housse de protection (pour adaptateur de batterie)

5. Le mousqueton peut être fixé au harnais. L'outil peut être accroché sur le mousqueton au moyen du crochet. Pour l'installation du crochet, reportez-vous à « *Installation du crochet* ».

► Fig.25: 1. Housse de protection (pour adaptateur de batterie) 2. Housse de protection (pour aspirateur dorsal) 3. Mousqueton

Installation du crochet

AVERTISSEMENT : N'utilisez les pièces d'accrochage/de fixation qu'aux fins pour lesquelles elles ont été conçues, par exemple, accrocher l'outil sur une ceinture à outils entre les tâches ou les intervalles de travail.

AVERTISSEMENT : Prenez soin de ne pas surcharger le crochet. Autrement un fardeau irrégulier pourrait endommager l'outil et vous blesser.

ATTENTION : Lorsque vous installez le crochet, fixez-le toujours en place fermement avec la vis. Sinon, le crochet pourrait se détacher de l'outil et vous blesser.

ATTENTION : Assurez-vous de suspendre l'outil correctement avant de relâcher votre emprise. Un accrochage insuffisant ou déséquilibré peut provoquer une chute et vous blesser.

ATTENTION : Utilisez un mousqueton à la force suffisante. Autrement, il pourrait se casser et provoquer des blessures.

L'outil peut être accroché sur le mousqueton au moyen du crochet.

► Fig.26: 1. Crochet 2. Mousqueton

Le crochet s'installe d'un côté comme de l'autre de l'outil. Pour installer le crochet, insérez-le dans un trou sur l'outil, puis fixez-le avec une vis. Pour le retirer, desserrez la vis et enlevez-le.

► Fig.27: 1. Trou 2. Crochet 3. Vis

FONCTION D'ACTIVATION SANS FIL

À quoi sert la fonction d'activation sans fil

La fonction d'activation sans fil offre un fonctionnement propre et confortable. En raccordant un aspirateur compatible à l'outil, vous pouvez déclencher automatiquement l'aspirateur en utilisant l'interrupteur de l'outil.

► Fig.28

Pour utiliser la fonction d'activation sans fil, préparez les éléments suivants :

- Un connecteur sans fil (accessoire en option)
- Un aspirateur compatible avec la fonction d'activation sans fil

Vous trouverez ci-après une vue d'ensemble de la fonction d'activation sans fil. Consultez chaque section pour en savoir plus sur la marche à suivre.

1. Installation du connecteur sans fil
2. Enregistrement de l'outil pour l'aspirateur
3. Démarrage de la fonction d'activation sans fil

Installation du connecteur sans fil

Accessoire en option

ATTENTION : Placez l'outil sur une surface plane et stable pour y installer le connecteur sans fil.

REMARQUE : Retirez la poussière et la saleté sur l'outil avant d'installer le connecteur sans fil. La poussière ou la saleté peuvent provoquer des dysfonctionnements si elles pénètrent dans la fente sur le connecteur sans fil.

REMARQUE : Pour éviter un dysfonctionnement provoqué par l'électricité statique, touchez un matériau conducteur comme la partie métallique de l'outil, avant de prendre dans vos mains le connecteur sans fil.

REMARQUE : Lorsque vous installez le connecteur sans fil, veillez toujours à l'insérer dans le bon sens et assurez-vous que le couvercle est complètement fermé.

1. Ouvrez le couvercle sur l'outil comme illustré sur la figure.

► Fig.29: 1. Couvercle

2. Insérez le connecteur sans fil dans la fente, puis refermez le couvercle.

Lors de l'insertion du connecteur sans fil, alignez les parties saillantes avec les parties creuses sur la fente.

► Fig.30: 1. Connecteur sans fil 2. Partie saillante 3. Couvercle 4. Partie creuse

Pour retirer le connecteur sans fil, ouvrez lentement le couvercle. Les crochets au dos du couvercle soulèveront le connecteur sans fil à mesure que vous tirez le couvercle vers le haut.

► Fig.31: 1. Connecteur sans fil 2. Crochet 3. Couvercle

Après avoir retiré le connecteur sans fil, gardez-le dans l'étui fourni ou dans un récipient anti-statique.

REMARQUE : Utilisez toujours les crochets au dos du couvercle lorsque vous retirez le connecteur sans fil. Si les crochets ne s'attachent pas au connecteur sans fil, fermez complètement le couvercle, puis rouvrez-le lentement.

Enregistrement de l'outil pour l'aspirateur

NOTE : Un aspirateur Makita compatible avec la fonction d'activation sans fil est nécessaire pour l'enregistrement de l'outil.

NOTE : Terminez la mise en place du connecteur sans fil sur l'outil avant de commencer l'enregistrement de l'outil.

NOTE : Pendant l'enregistrement de l'outil, n'enclenchez pas la gâchette, ni ne mettez sous tension l'aspirateur.

NOTE : Consultez aussi le mode d'emploi de l'aspirateur.

l'interrupteur de l'outil, terminez d'abord l'enregistrement de l'outil.

1. Insérez les batteries dans l'aspirateur et l'outil.
2. Placez le bouton de veille de l'aspirateur sur « AUTO ».

► Fig.32: 1. Bouton de veille

3. Appuyez sur le bouton d'activation sans fil de l'aspirateur pendant 3 secondes jusqu'à ce que le témoin d'activation sans fil clignote en vert. Puis appuyez sur le bouton d'activation sans fil de l'outil de la même façon.

► Fig.33: 1. Bouton d'activation sans fil 2. Témoin d'activation sans fil

Si la liaison entre l'aspirateur et l'outil est réussie, les témoins d'activation sans fil s'allumeront en vert pendant 2 secondes et se mettront à clignoter en bleu.

NOTE : Les témoins d'activation sans fil cessent de clignoter en vert au bout de 20 secondes. Appuyez sur le bouton d'activation sans fil de l'outil pendant que le témoin d'activation sans fil de l'aspirateur clignote. Si le témoin d'activation sans fil ne clignote pas en vert, appuyez brièvement sur le bouton d'activation sans fil et maintenez-le à nouveau enfoncé.

NOTE : Si vous effectuez plus de deux enregistrements d'outils pour un seul aspirateur, terminez-les l'un après l'autre.

Démarrage de la fonction d'activation sans fil

NOTE : Terminez l'enregistrement de l'outil pour l'aspirateur avant l'activation sans fil.

NOTE : Consultez aussi le mode d'emploi de l'aspirateur.

Après avoir enregistré un outil sur l'aspirateur, ce dernier se déclenchera automatiquement en utilisant l'interrupteur de l'outil.

1. Installez le connecteur sans fil sur l'outil.
2. Raccordez le tuyau de l'aspirateur à l'outil.

► Fig.34

3. Placez le bouton de veille de l'aspirateur sur « AUTO ».

► Fig.35: 1. Bouton de veille

4. Appuyez brièvement sur le bouton d'activation sans fil sur l'outil. Le témoin d'activation sans fil clignote en bleu.

► Fig.36: 1. Bouton d'activation sans fil 2. Témoin d'activation sans fil

5. Mettez l'outil sous tension. Vérifiez que l'aspirateur fonctionne pendant le fonctionnement de l'outil. Pour arrêter l'activation sans fil de l'aspirateur, appuyez sur le bouton d'activation sans fil de l'outil.

Si vous souhaitez activer l'aspirateur en utilisant

NOTE : Le témoin d'activation sans fil de l'outil cessera de clignoter en bleu en l'absence d'opérations pendant 2 heures. Dans ce cas, placez le bouton de veille de l'aspirateur sur « AUTO » et appuyez à nouveau sur le bouton d'activation sans fil de l'outil.

NOTE : L'aspirateur démarre/s'arrête avec un léger retard. Il y a un décalage lorsque l'aspirateur détecte l'utilisation de l'interrupteur de l'outil.










NOTE : La distance de transmission du connecteur sans fil peut varier selon l'emplacement et les conditions environnantes.

NOTE : Si plus de deux outils sont enregistrés sur un aspirateur, ce dernier peut se mettre en marche sans que vous le mettiez sous tension, car un autre utilisateur emploie la fonction d'activation sans fil.

Description du statut du témoin d'activation sans fil

► Fig.37: 1. Témoin d'activation sans fil

Le témoin d'activation sans fil indique le statut de la fonction d'activation sans fil. Consultez le tableau ci-dessous pour la signification du statut du témoin.

Statut	Témoin d'activation sans fil			Description	
	Couleur	 Allumé	 Clignotant		Durée
Veille	Bleu			2 heures	L'activation sans fil de l'aspirateur est disponible. Le témoin s'éteint automatiquement en l'absence d'opérations pendant 2 heures.
				Pendant le fonctionnement de l'outil.	L'activation sans fil de l'aspirateur est disponible et l'outil fonctionne.
Enregistrement de l'outil	Vert			20 secondes	Prêt pour l'enregistrement de l'outil. En attente d'enregistrement par l'aspirateur.
				2 secondes	L'enregistrement de l'outil est terminé. Le témoin d'activation sans fil se met à clignoter en bleu.
Annulation de l'enregistrement de l'outil	Rouge			20 secondes	Prêt pour l'annulation de l'enregistrement de l'outil. En attente d'annulation par l'aspirateur.
				2 secondes	L'annulation de l'enregistrement de l'outil est terminée. Le témoin d'activation sans fil se met à clignoter en bleu.
Autres	Rouge			3 secondes	Le connecteur sans fil est alimenté en électricité et la fonction d'activation sans fil démarre.
	Éteint	-		-	L'activation sans fil de l'aspirateur est arrêtée.

Annulation de l'enregistrement de l'outil pour l'aspirateur

Procédez comme indiqué ci-après pour annuler l'enregistrement de l'outil pour l'aspirateur.

1. Insérez les batteries dans l'aspirateur et l'outil.
2. Placez le bouton de veille de l'aspirateur sur « AUTO ».

► Fig.38: 1. Bouton de veille

3. Appuyez sur le bouton d'activation sans fil de l'aspirateur pendant 6 secondes. Le témoin d'activation sans fil clignote en vert, puis devient rouge. Après cela, appuyez sur le bouton d'activation sans fil de l'outil de

la même façon.

► Fig.39: 1. Bouton d'activation sans fil 2. Témoin d'activation sans fil

Si l'annulation est réussie, les témoins d'activation sans fil s'allumeront en rouge pendant 2 secondes et se mettront à clignoter en bleu.

NOTE : Les témoins d'activation sans fil arrêtent de clignoter en rouge au bout de 20 secondes. Appuyez sur le bouton d'activation sans fil de l'outil pendant que le témoin d'activation sans fil de l'aspirateur clignote. Si le témoin d'activation sans fil ne clignote pas en rouge, appuyez brièvement sur le bouton d'activation sans fil et maintenez-le à nouveau enfoncé.

Guide de dépannage de la fonction d'activation sans fil

Avant de faire une demande de réparation, effectuez d'abord vous-même une inspection. Si vous rencontrez un problème non documenté dans le mode d'emploi, n'essayez pas de démonter l'outil. Demandez plutôt à un centre

État d'anomalie	Cause probable (dysfonctionnement)	Solution
Le témoin d'activation sans fil ne s'allume pas ou ne clignote pas.	Le connecteur sans fil n'est pas installé sur l'outil. Le connecteur sans fil est mal installé sur l'outil.	Installez correctement le connecteur sans fil.
	La borne du connecteur sans fil et/ou la fente sont sales.	Essuyez délicatement la poussière et la saleté sur la borne du connecteur sans fil et nettoyez la fente.
	Le bouton d'activation sans fil de l'outil n'a pas été enfoncé.	Appuyez brièvement sur le bouton d'activation sans fil sur l'outil.
	Le bouton de veille de l'aspirateur n'est pas placé sur « AUTO ».	Placez le bouton de veille de l'aspirateur sur « AUTO ».
	Pas d'alimentation électrique	Mettez sous tension l'outil électrique et l'aspirateur.
Impossible de terminer correctement l'enregistrement de l'outil/l'annulation de l'enregistrement de l'outil.	Le connecteur sans fil n'est pas installé sur l'outil. Le connecteur sans fil est mal installé sur l'outil.	Installez correctement le connecteur sans fil.
	La borne du connecteur sans fil et/ou la fente sont sales.	Essuyez délicatement la poussière et la saleté sur la borne du connecteur sans fil et nettoyez la fente.
	Le bouton de veille de l'aspirateur n'est pas placé sur « AUTO ».	Placez le bouton de veille de l'aspirateur sur « AUTO ».
	Pas d'alimentation électrique	Mettez sous tension l'outil électrique et l'aspirateur.
	Fonctionnement incorrect	Appuyez brièvement sur le bouton d'activation sans fil et recommencez l'enregistrement de l'outil/l'annulation de l'enregistrement de l'outil.
	L'outil et l'aspirateur sont éloignés l'un de l'autre (hors de la portée de transmission).	Rapprochez l'outil de l'aspirateur. La distance de transmission maximum est d'environ 10 m, toutefois elle peut varier selon les circonstances.
	Avant de terminer l'enregistrement/l'annulation de l'outil ; - l'interrupteur de l'outil est en position de marche ou ; - le bouton d'alimentation de l'aspirateur est placé sur Marche.	Appuyez brièvement sur le bouton d'activation sans fil et recommencez l'enregistrement de l'outil/l'annulation de l'enregistrement de l'outil.
	Les procédures d'enregistrement de l'outil pour l'outil ou l'aspirateur ne sont pas terminées.	Procédez à l'enregistrement de l'outil à la fois pour l'outil et l'aspirateur en même temps.
	Interférence radio d'autres appareils qui génèrent des ondes radio puissantes.	Maintenez l'outil et l'aspirateur à l'écart des appareils comme des appareils Wi-Fi et des fours à micro-ondes.
L'aspirateur ne se met pas en marche avec l'utilisation de l'interrupteur de l'outil.	Le connecteur sans fil n'est pas installé sur l'outil. Le connecteur sans fil est mal installé sur l'outil.	Installez correctement le connecteur sans fil.
	La borne du connecteur sans fil et/ou la fente sont sales.	Essuyez délicatement la poussière et la saleté sur la borne du connecteur sans fil et nettoyez la fente.
	Le bouton d'activation sans fil de l'outil n'a pas été enfoncé.	Appuyez brièvement sur le bouton d'activation sans fil et assurez-vous que le témoin d'activation sans fil clignote en bleu.
	Le bouton de veille de l'aspirateur n'est pas placé sur « AUTO ».	Placez le bouton de veille de l'aspirateur sur « AUTO ».
	Plus de 10 outils sont enregistrés sur l'aspirateur.	Recommencez l'enregistrement de l'outil. Si plus de 10 outils sont enregistrés sur l'aspirateur, l'outil enregistré le plus tôt sera automatiquement annulé.
	L'aspirateur a effacé tous les enregistrements d'outils.	Recommencez l'enregistrement de l'outil.
	Pas d'alimentation électrique	Mettez sous tension l'outil électrique et l'aspirateur.
	L'outil et l'aspirateur sont éloignés l'un de l'autre (hors de la portée de transmission).	Rapprochez l'outil de l'aspirateur. La distance de transmission maximum est d'environ 10 m, toutefois elle peut varier selon les circonstances.
	Interférence radio d'autres appareils qui génèrent des ondes radio puissantes.	Maintenez l'outil et l'aspirateur à l'écart des appareils comme des appareils Wi-Fi et des fours à micro-ondes.

État d'anomalie	Cause probable (dysfonctionnement)	Solution
L'aspirateur fonctionne alors que l'outil ne fonctionne pas.	D'autres utilisateurs emploient la fonction d'activation sans fil de l'aspirateur avec leurs outils.	Placez le bouton d'activation sans fil des autres outils sur Arrêt ou annulez l'enregistrement de l'outil des autres outils.

ENTRETIEN

⚠ ATTENTION : Assurez-vous toujours que l'outil est hors tension et que la batterie est retirée avant d'y effectuer tout travail d'inspection ou d'entretien.

REMARQUE : N'utilisez jamais d'essence, benzène, diluant, alcool ou autre produit similaire. Cela risquerait de provoquer la décoloration, la déformation ou la fissuration de l'outil.

Pour assurer la SÉCURITÉ et la FIABILITÉ du produit, toute réparation, tout travail d'entretien ou de réglage doivent être effectués par un centre d'entretien Makita agréé, avec des pièces de rechange Makita.

Après l'utilisation

Essayez l'outil à intervalles réguliers au moyen d'un chiffon sec ou légèrement imbibé d'eau savonneuse.

Remplacement du plateau

Remplacez le plateau dans les cas suivants.

- Lorsque le revêtement velcro sur le plateau est usé.
 - Pour changer le plateau de rectangulaire à delta, ou inversement.
1. Desserrez et retirez les vis fixant le plateau et le socle de l'outil.
▶ **Fig.40:** 1. Vis 2. Plateau 3. Socle
 2. Remplacez le plateau et le socle actuels par un autre plateau et un autre socle.
 3. Puis serrez fermement les vis pour fixer le plateau.

ACCESSOIRES EN OPTION

⚠ ATTENTION : Ces accessoires ou pièces complémentaires sont recommandés pour l'utilisation avec l'outil Makita spécifié dans ce mode d'emploi. L'utilisation de tout autre accessoire ou pièce complémentaire peut comporter un risque de blessure. N'utilisez les accessoires ou pièces complémentaires qu'aux fins auxquelles ils ont été conçus.

Pour obtenir plus de détails sur ces accessoires, contactez votre centre d'entretien local Makita.

- Papier abrasif (autoagrippant)
- Protecteur de plateau
- Plateau rectangulaire
- Plateau delta
- Sac à poussière

- Harnais
- Housse de protection
- Adaptateur de batterie
- Connecteur sans fil
- Batterie et chargeur Makita d'origine

NOTE : Il se peut que certains éléments de la liste soient compris dans l'emballage de l'outil en tant qu'accessoires standard. Ils peuvent varier d'un pays à l'autre.

TECHNISCHE DATEN

Modell:		BO005CG	BO006CG
Schleifteller der Standardausrüstung		Rechteckiger Schleifteller	Delta-Schleifteller
Schleifpapier	Für rechteckigen Schleifteller	80 mm x 130 mm	
	Für Delta-Schleifteller	100 mm x 150 mm	
Umdrehungen pro Minute		6.000 - 10.000 min ⁻¹	
Schwingkreisdurchmesser		3,0 mm	
Gesamtlänge		236 mm	263 mm
Nennspannung		36 V - max. 40 V Gleichstrom	
Nettogewicht *1		0,93 kg	

- Wir behalten uns vor, Änderungen der technischen Daten im Zuge der Entwicklung und des technischen Fortschritts ohne vorherige Ankündigung vorzunehmen.
- Die technischen Daten können von Land zu Land unterschiedlich sein.
- Das Gewicht gemäß EPTA-Verfahren 01/2014 ist in der Tabelle angegeben.

*1: Gewicht ohne Zubehör oder Akku(s)

Zutreffende Akkus und Ladegeräte

Akku	BL4020* / BL4025* / BL4040* / BL4040F* / BL4050F / BL4080F * : Empfohlener Akku
Ladegerät	DC40RA / DC40RB / DC40RC / DC40WA

- Einige der oben aufgelisteten Akkus und Ladegeräte sind je nach Ihrem Wohngebiet eventuell nicht erhältlich.

⚠️ WARNUNG: Verwenden Sie nur die oben aufgeführten Akkus und Ladegeräte. Bei Verwendung irgendwelcher anderer Akkus und Ladegeräte besteht Verletzungs- und/oder Brandgefahr.

Empfohlene kabelgebundene Stromquelle

Rückentragbare Akku-Bank	PDC01 / PDC1200 / PDC1500
--------------------------	---------------------------

- Die oben aufgelisteten kabelgebundenen Stromquellen sind je nach Ihrem Wohngebiet eventuell nicht erhältlich.
- Lesen Sie vor Gebrauch der kabelgebundenen Stromquelle die daran angebrachten Anweisungen und Warnmarkierungen durch.

Symbole

Nachfolgend werden Symbole beschrieben, die für das Gerät verwendet werden können. Machen Sie sich unbedingt vor der Benutzung mit ihrer Bedeutung vertraut.



Betriebsanleitung lesen.



Tragen Sie einen Augenschutz.



Besondere Umsicht und Aufmerksamkeit erforderlich.



Um die Verletzungsgefahr zu verringern, halten Sie das Kabel von Hindernissen fern.



Missbrauchen Sie das Kabel nicht.
Ein beschädigtes Kabel erhöht das Verletzungsrisiko.



Nur für EU-Länder
Aufgrund des Vorhandenseins gefährlicher Komponenten in der Ausrüstung können Elektro- und Elektronik-Altgeräte, Akkumulatoren und Batterien sich negativ auf die Umwelt und die menschliche Gesundheit auswirken.
Entsorgen Sie Elektro- und Elektronikgeräte oder Batterien nicht mit dem Hausmüll!
In Übereinstimmung mit der Europäischen Richtlinie über Elektro- und Elektronik-Altgeräte, Akkumulatoren und Batterien, verbrauchte Akkumulatoren und Batterien sowie ihrer Anpassung an nationales Recht sollten Elektro-Altgeräte, Batterien und Akkumulatoren gemäß den Umweltschutzbestimmungen getrennt gelagert und zu einer getrennten Sammelstelle für Siedlungsabfälle geliefert werden.
Dies wird durch das am Gerät angebrachte Symbol der durchgestrichenen Abfalltonne auf Rädern angezeigt.

Vorgesehene Verwendung

Das Werkzeug ist für das Schleifen großer Flächen von Holz, Kunststoff und Metallmaterial sowie von lackierten Oberflächen vorgesehen.

Geräusch

Typischer A-bewerteter Geräuschpegel ermittelt gemäß EN62841-2-4:

Modell	Schalldruckpegel (L_{pA}): (dB (A))	Messunsicherheit (K): (dB (A))
BO005CG	73	3
BO006CG	76	3

Der Geräuschpegel kann während des Betriebs 80 dB (A) überschreiten.

HINWEIS: Der (Die) angegebene(n) Schallemissionswert(e) wurde(n) im Einklang mit der Standardprüfmethode gemessen und kann (können) für den Vergleich zwischen Werkzeugen herangezogen werden.

HINWEIS: Der (Die) angegebene(n) Schallemissionswert(e) kann (können) auch für eine Vorbewertung des Gefährdungsgrads verwendet werden.

⚠️ WARNUNG: Einen Gehörschutz tragen.

⚠️ WARNUNG: Die Schallemission während der tatsächlichen Benutzung des Elektrowerkzeugs kann je nach der Benutzungsweise des Werkzeugs, und speziell je nach der Art des bearbeiteten Werkstücks, von dem (den) angegebenen Wert(en) abweichen.

⚠️ WARNUNG: Identifizieren Sie Sicherheitsmaßnahmen zum Schutz des Benutzers anhand einer Schätzung des Gefährdungsgrads unter den tatsächlichen Benutzungsbedingungen (unter Berücksichtigung aller Phasen des Arbeitszyklus, wie z. B. Ausschalt- und Leerlaufzeiten des Werkzeugs zusätzlich zur Betriebszeit).

Schwingungen

Schwingungsgesamtwert (Drei-Achsen-Vektorsumme) ermittelt gemäß EN62841-2-4:

Arbeitsmodus: Schleifen von Metallplatten

Modell	Vibrationsemission ($a_{h, AG}$): (m/s^2)	Messunsicherheit (K): (m/s^2)
BO005CG	2,6	1,5
BO006CG	2,6	1,5

HINWEIS: Der (Die) angegebene(n) Vibrationsgesamtwert(e) wurde(n) im Einklang mit der Standardprüfmethode gemessen und kann (können) für den Vergleich zwischen Werkzeugen herangezogen werden.

HINWEIS: Der (Die) angegebene(n) Vibrationsgesamtwert(e) kann (können) auch für eine Vorbewertung des Gefährdungsgrads verwendet werden.

⚠️ WARNUNG: Die Vibrationsemission während der tatsächlichen Benutzung des Elektrowerkzeugs kann je nach der Benutzungsweise des Werkzeugs, und speziell je nach der Art des bearbeiteten Werkstücks, von dem (den) angegebenen Emissionswert(en) abweichen.

⚠️ WARNUNG: Identifizieren Sie Sicherheitsmaßnahmen zum Schutz des Benutzers anhand einer Schätzung des Gefährdungsgrads unter den tatsächlichen Benutzungsbedingungen (unter Berücksichtigung aller Phasen des Arbeitszyklus, wie z. B. Ausschalt- und Leerlaufzeiten des Werkzeugs zusätzlich zur Betriebszeit).

Konformitätserklärungen

Nur für europäische Länder

Die Konformitätserklärungen sind in Anhang A dieser Betriebsanleitung enthalten.

SICHERHEITSWARNUNGEN

Allgemeine Sicherheitswarnungen für Elektrowerkzeuge

⚠️ WARNUNG Lesen Sie alle Sicherheitshinweise, Anweisungen, Abbildungen und Spezifikationen, die diesem Elektrowerkzeug beiliegen. Eine Missachtung der unten aufgeführten Anweisungen kann zu einem elektrischen Schlag, Brand und/oder schweren Verletzungen führen.

Bewahren Sie alle Warnungen und Anweisungen für spätere Bezugnahme auf.

Der Ausdruck „Elektrowerkzeug“ in den Warnhinweisen bezieht sich auf Ihr mit Netzstrom (mit Kabel) oder Akku (ohne Kabel) betriebenes Elektrowerkzeug.

Sicherheitswarnungen für Schleifer

1. Tragen Sie stets eine Sicherheits- oder Schutzbrille. Eine gewöhnliche Brille oder Sonnenbrille ist KEIN Ersatz für eine Sicherheitsbrille.
2. Halten Sie das Werkzeug mit festem Griff.
3. Lassen Sie das Werkzeug nicht unbeaufsichtigt laufen. Benutzen Sie das Werkzeug nur im handgeführten Einsatz.
4. Dieses Werkzeug ist nicht wasserdicht. Benetzen Sie daher die Bearbeitungsfläche nicht mit Wasser.
5. Sorgen Sie für ausreichende Belüftung des Arbeitsplatzes beim Schleifen.
6. Manche Materialien können giftige Chemikalien enthalten. Treffen Sie Vorsichtsmaßnahmen, um das Einatmen von Arbeitsstaub und Hautkontakt zu verhindern. Befolgen Sie die Sicherheitsdaten des Materialherstellers.
7. Der Gebrauch dieses Werkzeugs zum Schleifen bestimmter Produkte, Lacke und Holz kann den Benutzer Staub aussetzen, der gefährliche Substanzen enthält. Verwenden Sie einen geeigneten Atemschutz.
8. Vergewissern Sie sich vor dem Gebrauch, dass der Schleifteller keine Risse oder Brüche aufweist. Risse oder Brüche können Personenschäden verursachen.
9. Achten Sie beim Arbeiten mit dem Werkzeug auf sicheren Stand und Gleichgewicht. Vergewissern Sie sich bei Arbeiten an hohen Orten, dass sich niemand unterhalb aufhält. Das Fallenlassen von Komponenten des Werkzeugs/der Maschine aus großer Höhe kann schwere Verletzungen verursachen.
10. Benutzen Sie kein Zubehör, das nicht vom Hersteller empfohlen wird. Die Sicherheit von Zubehörteilen, die nicht vom Hersteller empfohlen werden, ist nicht gewährleistet, selbst wenn sie angebracht werden können.

11. Halten Sie Ihre Hände und Ihren Körper während der Benutzung von der Unterseite des Werkzeugs fern.

BEWAHREN SIE DIESE ANLEITUNG AUF.

⚠️ WARNUNG: Lassen Sie sich NICHT durch Bequemlichkeit oder Vertrautheit mit dem Produkt (durch wiederholten Gebrauch erworben) von der strikten Einhaltung der Sicherheitsregeln für das vorliegende Produkt abhalten. MISSBRAUCH oder Missachtung der Sicherheitsvorschriften in dieser Anleitung können schwere Personenschäden verursachen.

Sicherheitswarnungen für den Akku-Adapter

1. Wenn das Kabel heiß wird, benutzen Sie das Produkt nicht mehr und schalten Sie das Werkzeug/die Maschine aus. Lassen Sie sie abkühlen, bevor Sie einen Wiederanlauf starten.
2. Beim Tragen Ihres Werkzeugs/Ihrer Maschine oder wenn Sie Ihr Werkzeug/Ihre Maschine unbeaufsichtigt lassen, entfernen Sie den Akku-Adapter vom Werkzeug/Ihrer Maschine oder lösen Sie den Akkualter von Ihrem Körper usw.
 - Das Kabel kann sich an Personen oder Hindernissen in der Nähe verfangen und Verletzungen verursachen.
 - Sie können das Werkzeug/die Maschine, das/die mit Ihrem Körper verbunden ist, unbeabsichtigt ziehen und dadurch einen Sturz oder ein Herunterfallen des Werkzeugs/der Maschine verursachen, was zu Verletzungen führen kann.
3. Bei Benutzung dieses Produkts an hochgelegenen Stellen sollten Sie immer einen Sicherheitsgurt benutzen. Seien Sie sich bewusst, dass ein versehentliches Fallenlassen des Werkzeugs/der Maschine Ihr Gleichgewicht beeinträchtigen und eine Sturzgefahr darstellen kann.
4. Lagern oder betreiben Sie dieses Produkt nicht mit verdrehtem Kabel. Ein beschädigtes oder verwickeltes Kabel kann das Risiko eines elektrischen Schlags oder eines Brands aufgrund eines Kurzschlusses in der Verkabelung erhöhen.
5. Überprüfen Sie das Kabel und die Komponenten des Produkts vor der Benutzung auf eventuelle Anomalien. Falls irgendwelche Anomalien festgestellt werden, sollten Sie die Benutzung des Produkts sofort anhalten und eine Reparatur bei einem autorisierten oder Werks-Servicecenter von Makita anfordern.

Wichtige Sicherheitsanweisungen für Akku

1. Lesen Sie vor der Benutzung des Akkus alle Anweisungen und Warnhinweise, die an (1) Ladegerät, (2) Akku und (3) Akkuwerkzeug

angebracht sind.

2. **Unterlassen Sie Zerlegen oder Manipulieren des Akkus.** Es kann sonst zu einem Brand, übermäßiger Hitzeentwicklung oder einer Explosion kommen.
3. **Falls die Betriebszeit beträchtlich kürzer geworden ist, stellen Sie den Betrieb sofort ein.** Anderenfalls besteht die Gefahr von Überhitzung, möglichen Verbrennungen und sogar einer Explosion.
4. **Falls Elektrolyt in Ihre Augen gelangt, waschen Sie sie mit sauberem Wasser aus, und begeben Sie sich unverzüglich in ärztliche Behandlung.** Anderenfalls können Sie Ihre Sehkraft verlieren.
5. **Der Akku darf nicht kurzgeschlossen werden:**
 - (1) Die Kontakte dürfen nicht mit leitfähigem Material berührt werden.
 - (2) Lagern Sie den Akku nicht in einem Behälter zusammen mit anderen Metallgegenständen, wie z. B. Nägel, Münzen usw.
 - (3) Setzen Sie den Akku weder Wasser noch Regen aus.

Ein Kurzschluss des Akkus verursacht starken Stromfluss, der Überhitzung, mögliche Verbrennungen und einen Defekt zur Folge haben kann.

6. **Lagern und benutzen Sie das Werkzeug und den Akku nicht an Orten, an denen die Temperatur 50 °C erreichen oder überschreiten kann.**
7. **Versuchen Sie niemals, den Akku zu verbrennen, selbst wenn er stark beschädigt oder vollkommen verbraucht ist. Der Akku kann im Feuer explodieren.**
8. **Unterlassen Sie Nageln, Schneiden, Zerquetschen, Werfen, Fallenlassen des Akkus oder Schlagen des Akkus mit einem harten Gegenstand.** Eine solche Handlung kann zu einem Brand, übermäßiger Hitzeentwicklung oder einer Explosion führen.
9. **Benutzen Sie keine beschädigten Akkus.**
10. **Die enthaltenen Lithium-Ionen-Akkus unterliegen den Anforderungen der Gefahrgut-Gesetzgebung.**

Für kommerzielle Transporte, z. B. durch Dritte oder Spediteure, müssen besondere Anforderungen zu Verpackung und Etikettierung beachtet werden.

Zur Vorbereitung des zu transportierenden Artikels ist eine Beratung durch einen Experten für Gefahrgut erforderlich. Bitte beachten Sie möglicherweise ausführlichere nationale Vorschriften. Überkleben oder verdecken Sie offene Kontakte, und verpacken Sie den Akku so, dass er sich in der Verpackung nicht umher bewegen kann.
11. **Entfernen Sie den Akku zum Entsorgen vom Werkzeug, und entsorgen Sie ihn an einem sicheren Ort. Befolgen Sie die örtlichen Vorschriften bezüglich der Entsorgung von Akkus.**
12. **Verwenden Sie die Akkus nur mit den von Makita angegebenen Produkten.** Das Einsetzen der Akkus in nicht konforme Produkte kann zu

einem Brand, übermäßiger Hitzebildung, einer Explosion oder Auslaufen von Elektrolyt führen.

13. **Soll das Werkzeug längere Zeit nicht benutzt werden, muss der Akku vom Werkzeug entfernt werden.**
14. **Bei und nach dem Gebrauch kann der Akku heiß werden, was Verbrennungen oder Niedertemperaturverbrennungen verursachen kann. Beachten Sie die Handhabung von heißen Akkus.**
15. **Berühren Sie nicht den Anschlusskontakt des Werkzeugs unmittelbar nach dem Gebrauch, da er heiß genug werden kann, um Verbrennungen zu verursachen.**
16. **Achten Sie darauf, dass sich keine Späne, Staub oder Schmutz in den Anschlusskontakten, Löchern und Nuten des Akkus absetzen.** Es könnte sonst zu Erhitzung, Brandauslösung, Bersten und Funktionsstörungen des Werkzeugs oder des Akkus kommen, was zu Verbrennungen oder Personenschäden führen kann.
17. **Wenn das Werkzeug den Einsatz in der Nähe einer Hochspannungs-Stromleitung nicht unterstützt, benutzen Sie den Akku nicht in der Nähe einer Hochspannungs-Stromleitung.** Dies kann zu einer Funktionsstörung oder Betriebsstörung des Werkzeugs oder des Akkus führen.
18. **Halten Sie die Batterie von Kindern fern.**

DIESE ANWEISUNGEN AUFBEWAHREN.

⚠ VORSICHT: Verwenden Sie nur Original-Makita-Akkus. Die Verwendung von Nicht-Original-Makita-Akkus oder von Akkus, die abgeändert worden sind, kann zum Bersten des Akkus und daraus resultierenden Bränden, Personenschäden und Beschädigung führen. Außerdem wird dadurch die Makita-Garantie für das Makita-Werkzeug und -Ladegerät ungültig.

Hinweise zur Aufrechterhaltung der maximalen Akku-Nutzungsdauer

1. **Laden Sie den Akku, bevor er vollkommen erschöpft ist. Schalten Sie das Werkzeug stets aus, und laden Sie den Akku, wenn Sie ein Nachlassen der Werkzeugleistung feststellen.**
2. **Unterlassen Sie erneutes Laden eines voll aufgeladenen Akkus. Überladen führt zu einer Verkürzung der Nutzungsdauer des Akkus.**
3. **Laden Sie den Akku bei Raumtemperatur zwischen 10 – 40 °C. Lassen Sie einen heißen Akku abkühlen, bevor Sie ihn laden.**
4. **Wenn Sie den Akku nicht benutzen, nehmen Sie ihn vom Werkzeug oder Ladegerät ab.**
5. **Der Akku muss geladen werden, wenn er lange Zeit (länger als sechs Monate) nicht benutzt wird.**

Wichtige Sicherheitsanweisungen für Funk-Adapter

1. Unterlassen Sie Zerlegen oder Manipulieren des Funk-Adapters.
2. Halten Sie den Funk-Adapter von kleinen Kindern fern. Suchen Sie bei versehentlichem Verschlucken sofort ärztliche Behandlung auf.
3. Benutzen Sie den Funk-Adapter nur mit Makita-Werkzeugen.
4. Setzen Sie den Funk-Adapter keinem Regen oder Nässe aus.
5. Benutzen Sie den Funk-Adapter nicht an Orten, wo die Temperatur 50 °C überschreitet.
6. Betreiben Sie den Funk-Adapter nicht an Orten, in deren Nähe sich medizinische Geräte, wie z. B. Herzschrittmacher, befinden.
7. Betreiben Sie den Funk-Adapter nicht an Orten, in deren Nähe sich automatisierte Geräte befinden. Bei Betrieb kann in den automatisierten Geräten eine Funktionsstörung oder ein Fehler entstehen.
8. Betreiben Sie den Funk-Adapter nicht an Orten unter hohen Temperaturen oder an Orten, wo statische Elektrizität oder elektrisches Rauschen erzeugt werden könnte.
9. Der Funk-Adapter kann elektromagnetische Felder (EMF) erzeugen, die aber für den Benutzer nicht gesundheitsschädlich sind.
10. Der Funk-Adapter ist ein Präzisionsinstrument. Achten Sie darauf, dass der Funk-Adapter nicht fallen gelassen oder Stößen ausgesetzt wird.
11. Vermeiden Sie Berühren der Kontakte des Funk-Adapters mit bloßen Händen oder Metallgegenständen.
12. Entfernen Sie stets den Akku vom Produkt, bevor Sie den Funk-Adapter installieren.
13. Öffnen Sie den Deckel des Steckplatzes nicht an Orten, wo Staub und Wasser in den Steckplatz eindringen können. Halten Sie den Einlass des Steckplatzes stets sauber.
14. Führen Sie den Funk-Adapter stets in der korrekten Richtung ein.
15. Drücken Sie nicht zu fest und/oder mit einem scharfkantigen Gegenstand auf die Funk-Aktivierungstaste des Funk-Adapters.
16. Halten Sie den Deckel des Steckplatzes beim Betrieb immer geschlossen.
17. Entfernen Sie den Funk-Adapter nicht aus dem Steckplatz, während das Werkzeug mit Strom versorgt wird. Anderenfalls kann eine Funktionsstörung des Funk-Adapters verursacht werden.
18. Entfernen Sie nicht den Aufkleber vom Funk-Adapter.
19. Kleben Sie keinen anderen Aufkleber auf den Funk-Adapter.
20. Lassen Sie den Funk-Adapter nicht an einem Ort liegen, wo statische Elektrizität oder elektrisches Rauschen erzeugt werden könnte.
21. Lassen Sie den Funk-Adapter nicht an einem Ort liegen, der starker Hitze ausgesetzt ist, wie

- z. B. in einem in praller Sonne geparkten Auto.
22. Lassen Sie den Funk-Adapter nicht an einem Ort liegen, der Staub oder Puder aufweist, oder an dem ein korrosives Gas erzeugt werden könnte.
23. Plötzliche Temperaturschwankungen können den Funk-Adapter betauen. Benutzen Sie den Funk-Adapter nicht eher, bis der Tau vollständig getrocknet ist.
24. Wischen Sie den Funk-Adapter zum Reinigen sanft mit einem trockenen, weichen Tuch ab. Verwenden Sie kein Waschbenzin, kein leitfähiges Fett, keinen Verdünner oder dergleichen.
25. Bewahren Sie den Funk-Adapter zur Lagerung in der mitgelieferten Schachtel oder einem statikfreien Behälter auf.
26. Führen Sie keine anderen Geräte außer dem Makita-Funk-Adapter in den Steckplatz des Werkzeugs ein.
27. Benutzen Sie das Werkzeug nicht, wenn der Deckel des Steckplatzes beschädigt ist. Wasser, Staub und Schmutz, die in den Steckplatz eindringen, können eine Funktionsstörung verursachen.
28. Ziehen und/oder verdrehen Sie den Deckel des Steckplatzes nicht mehr als nötig. Bringen Sie den Deckel wieder an, falls er sich vom Werkzeug löst.
29. Ersetzen Sie den Deckel des Steckplatzes, falls er verloren geht oder beschädigt wird.

BEWAHREN SIE DIESE ANLEITUNG AUF.

FUNKTIONSBE-SCHREIBUNG

⚠ VORSICHT: Vergewissern Sie sich vor der Durchführung von Einstellungen oder Funktionsprüfungen des Werkzeugs stets, dass das Werkzeug ausgeschaltet und der Akku abgenommen ist.

Anbringen und Abnehmen des Akkus

⚠ VORSICHT: Schalten Sie das Werkzeug stets aus, bevor Sie den Akku anbringen oder abnehmen.

⚠ VORSICHT: Halten Sie das Werkzeug und den Akku beim Anbringen oder Abnehmen des Akkus sicher fest. Wenn Sie das Werkzeug und den Akku nicht sicher festhalten, können sie Ihnen aus der Hand rutschen, was zu einer Beschädigung des Werkzeugs und des Akkus und zu Körperverletzungen führen kann.

Richten Sie zum Anbringen des Akkus dessen Führungsfeder auf die Nut im Gehäuse aus, und schieben Sie den Akku hinein. Schieben Sie ihn vollständig

ein, bis er mit einem leisen Klicken einrastet. Wenn Sie die rote Anzeige sehen können, wie in der Abbildung gezeigt, ist der Akku nicht vollständig verriegelt.

Ziehen Sie den Akku zum Abnehmen vom Werkzeug ab, während Sie den Knopf an der Vorderseite des Akkus verschieben.

► **Abb.1:** 1. Rote Anzeige 2. Knopf 3. Akku

⚠ VORSICHT: Schieben Sie den Akku stets bis zum Anschlag ein, bis die rote Anzeige nicht mehr sichtbar ist. Anderenfalls kann er aus dem Werkzeug herausfallen und Sie oder umstehende Personen verletzen.

⚠ VORSICHT: Unterlassen Sie Gewaltanwendung beim Anbringen des Akkus. Falls der Akku nicht reibungslos hineingleitet, ist er nicht richtig ausgerichtet.

Anzeigen der Akku-Restkapazität

Drücken Sie die Prüftaste am Akku, um die Akku-Restkapazität anzuzeigen. Die Anzeigelampen leuchten wenige Sekunden lang auf.

► **Abb.2:** 1. Anzeigelampen 2. Prüftaste

Anzeigelampen			Restkapazität
Erleuchtet	Aus	Blinkend	
			75% bis 100%
			50% bis 75%
			25% bis 50%
			0% bis 25%
			Den Akku aufladen.
			Möglicherweise liegt eine Funktionsstörung im Akku vor.

HINWEIS: Abhängig von den Benutzungsbedingungen und der Umgebungstemperatur kann die Anzeige geringfügig von der tatsächlichen Kapazität abweichen.

HINWEIS: Die erste (äußerste linke) Anzeigelampe blinkt, wenn das Akku-Schutzsystem aktiv ist.

Schalterfunktion

⚠ VORSICHT: Vermeiden Sie das Einschalten des Werkzeugs, während es sich auf dem Werkstück oder auf Ihrer Werkbank befindet. Anderenfalls kann es zu Personenschäden oder Beschädigung kommen.

Ein- und Ausschalten des Werkzeugs

Drücken Sie die Ein-Aus-Taste, um das Werkzeug zu starten.

Drücken Sie die Ein-Aus-Taste erneut, um das Werkzeug anzuhalten.

► **Abb.3:** 1. Ein-Aus-Taste

Drehzahl-Stellrad

ANMERKUNG: Wird das Werkzeug über längere Zeitspannen im Dauerbetrieb mit niedriger Drehzahl betrieben, führt das zu einer Überlastung des Motors, die eine Funktionsstörung zur Folge haben kann.

ANMERKUNG: Das Drehzahl-Stellrad lässt sich nur bis 5 und zurück auf 1 drehen. Wird es gewaltsam über 5 oder 1 hinaus gedreht, kann die Drehzahleinstellfunktion unbrauchbar werden.

Die Drehzahl kann durch Drehen des Drehzahl-Stellrads geändert werden. Durch Drehen des Stellrads in Richtung der Nummer 5 wird die Drehzahl erhöht. Eine niedrigere Drehzahl wird erreicht, wenn er in Richtung der Nummer 1 gedreht wird. Die ungefähren Drehzahlen für die einzelnen Stellrad-Positionen sind aus der nachstehenden Tabelle ersichtlich.

Nummer	Umdrehungen pro Minute
1	6.000
2	6.500
3	8.000
4	9.500
5	10.000

► **Abb.4:** 1. Drehzahl-Stellrad

Elektronikfunktion

Das Werkzeug ist mit folgenden elektronischen Funktionen für einen einfachen Betrieb ausgestattet.

Sanftanlauf-Funktion

Die Sanftanlauf-Funktion reduziert den Schock beim Starten.

Konstantdrehzahlregelung

Elektronische Drehzahlregelung zur Aufrechterhaltung einer konstanten Drehzahl.

Dieses Merkmal ermöglicht die Feinbearbeitung, da die Drehzahl des Werkzeugs selbst unter Last konstant bleibt.

Elektrische Bremse

Die elektrische Bremse hält das Werkzeug schnell an und sorgt für Sicherheit und bequemen Betrieb.

Funktion zur Verhütung eines versehentlichen Wiederanlaufs

Wenn eine beliebige Stromquelle (z. B. der Akku usw.) an das Werkzeug angeschlossen wird, während die Ein-Aus-Taste gedrückt wird, startet das Werkzeug

nicht.

Um das Werkzeug zu starten, drücken Sie die Ein-Aus-Taste erneut.

Werkzeug/Akku-Schutzsystem

Das Werkzeug ist mit einem Werkzeug/Akku-Schutzsystem ausgestattet. Dieses System schaltet die Stromversorgung des Motors automatisch ab, um die Lebensdauer von Werkzeug und Akku zu verlängern. Das Werkzeug bleibt während des Betriebs automatisch stehen, wenn das Werkzeug oder der Akku einer der folgenden Bedingungen unterliegt:

Überlastschutz

Wird das Werkzeug oder der Akku auf eine Weise benutzt, die eine ungewöhnlich hohe Stromaufnahme bewirkt, bleibt das Werkzeug ohne jegliche Anzeige automatisch stehen. Schalten Sie in dieser Situation das Werkzeug aus, und brechen Sie die Arbeit ab, die eine Überlastung des Werkzeugs verursacht hat. Schalten Sie dann das Werkzeug wieder ein, um es neu zu starten.

Überhitzungsschutz

Wenn das Werkzeug oder der Akku überhitzt wird, bleibt das Werkzeug automatisch stehen. Lassen Sie das Werkzeug und den Akku in diesem Fall abkühlen, bevor Sie das Werkzeug wieder einschalten.

Überentladungsschutz

Wenn die Akkukapazität unzureichend wird, bleibt das Werkzeug automatisch stehen. Nehmen Sie in diesem Fall den Akku vom Werkzeug ab, und laden Sie ihn auf.

Schutz gegen andere Ursachen

Das Schutzsystem ist auch für andere Ursachen ausgelegt, die eine Beschädigung des Werkzeugs bewirken könnten, und ermöglicht automatisches Anhalten des Werkzeugs. Führen Sie alle folgenden Schritte aus, um die Ursachen zu beseitigen, wenn das Werkzeug zu einem vorübergehenden Stillstand oder Betriebsstopp gekommen ist.

1. Vergewissern Sie sich, dass alle Schalter ausgeschaltet sind, und schalten Sie das Werkzeug für einen Wiederanlauf erneut ein.
2. Laden Sie den/die Akku(s) auf, oder tauschen Sie ihn/sie gegen einen aufgeladenen Akku/aufgeladene Akkus aus.
3. Lassen Sie das Werkzeug und den/die Akku(s) abkühlen.

Falls die Wiederherstellung des Schutzsystems keine Besserung bringt, wenden Sie sich an Ihre lokale Makita-Kundendienststelle.

MONTAGE

⚠ VORSICHT: Vergewissern Sie sich vor der Ausführung von Arbeiten am Werkzeug stets, dass das Werkzeug ausgeschaltet und der Akku abgenommen ist.

Anbringen und Abnehmen des Schleiftellerschoners

Der Schleiftellerschoner verhindert die Abnutzung des Klettverschlusses am Schleifteller.

1. Um den Schleiftellerschoner zu installieren, entfernen Sie alle Verschmutzungen und Fremdkörper vom Schleifteller.
2. Bringen Sie den Schleiftellerschoner am Schleifteller an und richten Sie dabei die Staubabsauglöcher im Schleiftellerschoner auf diejenigen im Schleifteller aus.
▶ **Abb.5:** 1. Schleiftellerschoner 2. Schleifteller 3. Staubabsauglöcher

Wenn der Klettverschluss am Schleiftellerschoner abgenutzt ist, entfernen Sie den Schleiftellerschoner und installieren Sie einen neuen.

Um den Schleiftellerschoner zu entfernen, ziehen Sie den Schleiftellerschoner von der Kante ab.

Anbringen oder Abnehmen des Schleifpapiers

⚠ VORSICHT: Vergewissern Sie sich vor der Benutzung, dass das Schleifpapier sicher installiert ist. Anderenfalls kann sich das Schleifpapier leicht ablösen, was ein Abrutschen verursacht und einen ungleichmäßigen Schleifbetrieb zur Folge hat.

⚠ VORSICHT: Vergewissern Sie sich, dass der Schleifteller korrekt und sicher installiert ist. Ein locker angebrachter Aufsatz gerät aus dem Gleichgewicht und verursacht übermäßige Vibrationen, die zum Verlust der Kontrolle führen.

⚠ VORSICHT: Achten Sie darauf, dass Schleifteller, Schleiftellerschoner und Schleifpapier ausgerichtet und sicher angebracht sind.

⚠ VORSICHT: Verwenden Sie nur Schleifpapier. Verwenden Sie niemals druckempfindliche Schleifpapiere.

HINWEIS: Das Schleifpapier kann auch direkt am Schleifteller angebracht werden.

1. Entfernen Sie alle Verschmutzungen und Fremdkörper vom Schleiftellerschoner.
2. Bringen Sie ein Schleifblatt am Schleiftellerschoner an.
— Wenn Sie ein Schleifblatt in Papierausführung mit Staubabsauglöchern verwenden, richten Sie die Staubabsauglöcher im Papier auf die Löcher im Schleiftellerschoner aus.
— Wenn Sie ein Schleifblatt in Netzausführung verwenden, richten Sie die äußere Form auf den Schleiftellerschoner aus.
▶ **Abb.6:** 1. Schleifblatt 2. Schleiftellerschoner 3. Staubabsauglöcher

Um das Schleifblatt zu entfernen, ziehen Sie das Schleifblatt vom Rand ab, während Sie den Schleiftellerschoner halten, um zu verhindern, dass er zusammengeschoben wird.

Schutzkappe

Die Schutzkappe verhindert eine Beschädigung des Schleiftellers, des Werkzeuggehäuses und der Wand, wenn in der Nähe einer Wand gearbeitet wird.

► **Abb.7:** 1. Schutzkappe

Zum Anbringen der Schutzkappe die Zunge der Schutzkappe auf die Führungsnut ausrichten, und dann die Schutzkappe hineindrücken.

Um die Schutzkappe zu entfernen, ziehen Sie die Schutzkappe vorwärts, während Sie die Klinken öffnen.

► **Abb.8:** 1. Schutzkappe 2. Führungsnut 3. Klinke

Montieren und Demontieren des Staubsacks

Bringen Sie die Staubsackeinheit über dem Absaugstutzen am hinteren Ende des Motorgehäuses an. Stecken Sie den Staubeinlass bis zum Anschlag auf den Absaugstutzen, bis er einrastet.

Um die Staubsackeinheit zu entfernen, halten Sie die Staubkappe fest und ziehen Sie sie.

► **Abb.9:** 1. Absaugstutzen 2. Staubeinlass
3. Staubkappe 4. Staubsack

ANMERKUNG: Halten Sie nicht den Staubsack beim Tragen des Werkzeugs. Anderenfalls kann das Werkzeug herunterfallen und beschädigt werden.

Staubentsorgung

Um eine optimale Staubabscheidung zu gewährleisten, leeren Sie den Staubsack, wenn er etwa bis zur Hälfte seiner Kapazität gefüllt ist.

1. Entfernen Sie den Staubsack von der Staubkappe, während Sie beide Knöpfe drücken.
2. Klopfen Sie leicht auf den Boden des Staubsacks, um ihn zu leeren.

► **Abb.10:** 1. Staubsack 2. Staubkappe 3. Knopf

Anschließen eines Sauggerätes

Um saubere Schleifarbeiten durchzuführen, schließen Sie ein Makita-Sauggerät an Ihr Werkzeug an.

ANMERKUNG: Wenn Sie das Werkzeug mit dem rückentragbaren Sauggerät betreiben, benutzen Sie immer die Frontmanschette (im Lieferumfang des Werkzeugs enthalten). Dadurch wird die statische Aufladung reduziert.

1. Entfernen Sie die andere Manschette vom Schlauch, falls sie angebracht ist.
2. Schrauben Sie die mit dem Werkzeug mitgelieferte Frontmanschette auf den Schlauch. Vergewissern Sie sich, dass die Frontmanschette fest in den Schlauch geschraubt ist.

► **Abb.11:** 1. Frontmanschette (mit dem Werkzeug geliefert) 2. Schlauch 3. Sauggerät
4. Andere Manschette

3. Bringen Sie die Frontmanschette über dem Absaugstutzen des Werkzeugs an.

Stecken Sie die Frontmanschette bis zum Anschlag auf den Absaugstutzen, und drehen Sie dann die

Frontmanschette in Pfeilrichtung fest, wie in der Abbildung gezeigt.

► **Abb.12:** 1. Absaugstutzen 2. Frontmanschette (mit dem Werkzeug geliefert)

Für Sauggerät, das nicht rückentragbar ist

Sie können den Schlauch auch mit der Frontmanschette 22 und der Frontmanschette 24 verbinden. Die Frontmanschette 22 und die Frontmanschette 24 sind Sonderzubehör oder im Lieferumfang des Sauggeräts enthalten.

► **Abb.13:** 1. Frontmanschette 22 (Sonderzubehör oder im Lieferumfang des Sauggeräts enthalten) 2. Frontmanschette 24 (Sonderzubehör oder im Lieferumfang des Sauggeräts enthalten)

Anbringen und Abnehmen des Akku-Adapters

ANMERKUNG: Vergewissern Sie sich, dass sich an der Verbindung zwischen Werkzeug und Akku-Adapter kein Staub angesammelt hat. Die Ansammlung von Staub kann eine Fehlfunktion verursachen.

1. Um den Akku-Adapter zu installieren, richten Sie die Pfeilmarkierung auf dem Akku-Adapter auf die Markierung des Werkzeugs aus.

2. Führen Sie den Akku-Adapter bis zum Anschlag ein, bis er mit einem leichten Klicken einrastet.

► **Abb.14:** 1. Werkzeug 2. Akku-Adapter
3. Pfeilmarkierung

Um den Akku-Adapter zu entfernen, schieben Sie den Akku-Adapter ab, während Sie beide Knöpfe herunterdrücken.

► **Abb.15:** 1. Knopf

Einrichten des Akku-Adapters

⚠ VORSICHT: Betreiben Sie das Werkzeug nicht, wenn das Verbindungskabel beschädigt ist.

ANMERKUNG: Missbrauchen Sie das Verbindungskabel nicht. Tragen Sie das Werkzeug nicht durch Ziehen am Verbindungskabel. Halten Sie das Verbindungskabel von Hitze, Öl oder scharfen Kanten fern. Anderenfalls kann das Verbindungskabel beschädigt werden.

Hängen Sie den Akku-Adapter an den Hüftgurt. Der Kabelhalter hilft bei der Handhabung des Kabels. Befestigen Sie den Kabelhalter gegebenenfalls mit der Schraube rechts oder links am Akku-Adapter.

► **Abb.16:** 1. Kabelhalter

Armbinde

Die Armbinde ist praktisch für die Handhabung des Kabels.

1. Legen Sie die Armbinde um Ihren Arm, und stellen Sie dann die Länge der Armbinde ein.

2. Drücken Sie das Verbindungskabel durch die Öffnung des Halters hinein.

- **Abb.17:** 1. Armbinde 2. Halter mit Öffnung

⚠ VORSICHT: Öffnen Sie den Halter nicht gewaltsam. Anderenfalls kann er verbogen und beschädigt werden.

Schlauchband

Enthalten in Akku-Adapter mit 5 m Kabel (Sonderzubehör)

Bei der Benutzung des an das Werkzeug angeschlossenen Sauggeräts kann die Schlauchschelle zum Halten des Kabels und des Schlauchs benutzt werden, um ein Verheddern zu verhindern.

Halten Sie das Kabel und den Schlauch mit der Schlauchschelle in Abständen von ca. 1 m, wie in der Abbildung gezeigt.

- **Abb.18:** 1. Schlauchschelle 2. Kabel 3. Schlauch
4. Ca. 1 m

BETRIEB

Schleifbetrieb

⚠ VORSICHT: Achten Sie immer darauf, dass das Werkstück fest gesichert ist.

⚠ VORSICHT: Tragen Sie eine Staubmaske, wenn Sie mit viel Staub arbeiten.

⚠ VORSICHT: Berühren Sie nicht das rotierende Schleifpapier. Anderenfalls kann es zu Personenschäden kommen.

ANMERKUNG: Benutzen Sie das Werkzeug niemals ohne Schleifpapier. Dadurch können Sie den Schleiftellerschoner oder den Schleifteller ernsthaft beschädigen.

ANMERKUNG: Benutzen Sie das Werkzeug niemals mit Gewalt. Übermäßiger Druck kann die Schleifleistung verschlechtern, das Schleifpapier beschädigen und/oder die Lebensdauer des Werkzeugs verkürzen.

ANMERKUNG: Benutzen Sie dieses Werkzeug nicht zum Polieren. Befestigen Sie kein Polierzubehör, wie z. B. einen Schwamm, an diesem Werkzeug. Anderenfalls kann eine Fehlfunktion auftreten.

Halten Sie das Werkzeug mit festem Griff. Schalten Sie das Werkzeug ein, und warten Sie, bis es die eingestellte Drehzahl erreicht. Setzen Sie dann das Werkzeug sachte auf die Werkstück-Oberfläche. Halten Sie den Schleifteller flach gegen das Werkstück, und üben Sie keinen Druck auf das Werkzeug aus.

- **Abb.19**

Betrieb mit dem Tragegurt

Sonderzubehör

Der Tragegurt ermöglicht den Betrieb, während Sie den Akku-Adapter auf dem Rücken tragen. Der Karabiner kann am Tragegurt befestigt werden.

Das Werkzeug kann mit dem Aufhänger in den Karabiner eingehängt werden. Näheres zur Installation des Aufhängers finden Sie unter „Montieren des Aufhängers“.

- **Abb.20:** 1. Tragegurt 2. Karabiner

Betrieb mit der Schutzhülle

Sonderzubehör

ANMERKUNG: Bevor Sie die Schutzhülle auswählen, vergewissern Sie sich, dass die Schutzhülle mit Ihrem rückentragbaren Sauggerät kompatibel ist. Die Schutzhülle kann nur an bestimmten Modellen von rückentragbaren Sauggeräten befestigt werden.

Beispiele für das kompatible Modell:

- VC008G / GCV05
- VC009G / GCV06

Oben sind einige der Beispiele aufgeführt. Fragen Sie unser Service-Center, ob Ihr rückentragbares Sauggerät mit der Schutzhülle kompatibel ist oder nicht.

Die Schutzhülle schützt das rückentragbare Sauggerät und den Akku-Adapter und ermöglicht den Betrieb, indem Sie das rückentragbare Sauggerät und den Akku-Adapter zusammen auf dem Rücken tragen.

1. Entfernen Sie die Schrauben, die den Tragegurt des rückentragbaren Sauggerätes sichern.

- **Abb.21:** 1. Rückentragbares Sauggerät
2. Tragegurt des rückentragbaren Sauggerätes 3. Schraube

2. Umhüllen Sie das rückentragbare Sauggerät mit der Schutzhülle (für rückentragbares Sauggerät).

- **Abb.22:** 1. Schutzhülle (für rückentragbares Sauggerät)

3. Sichern Sie den Tragegurt des rückentragbaren Sauggerätes durch Festziehen der Schrauben.

- **Abb.23**

4. Bewahren Sie die Akku-Teile des Akku-Adapters in der Schutzhülle (für den Akku-Adapter) auf, und schlafen Sie dann die Schutzhülle (für den Akku-Adapter) über den Tragegurt, wie in der Abbildung gezeigt.

- **Abb.24:** 1. Schutzhülle (für Akku-Adapter)

5. Der Karabiner kann am Tragegurt befestigt werden. Das Werkzeug kann mit dem Aufhänger in den Karabiner eingehängt werden. Näheres zur Installation des Aufhängers finden Sie unter „Montieren des Aufhängers“.

- **Abb.25:** 1. Schutzhülle (für Akku-Adapter)
2. Schutzhülle (für rückentragbares Sauggerät) 3. Karabiner

Montieren des Aufhängers

⚠️ WARNUNG: Verwenden Sie die Aufhänge-/Montageteile nur für den bestimmungsgemäßen Gebrauch, z. B. zum Aufhängen des Werkzeugs an einem Werkzeuggürtel zwischen Arbeitseinsätzen oder Arbeitsintervallen.

⚠️ WARNUNG: Achten Sie darauf, den Aufhänger nicht zu stark zu belasten. Anderenfalls kann vorschriftswidrige Überlastung Schäden am Werkzeug verursachen, die zu Personenschäden führen können.

⚠️ VORSICHT: Wenn Sie den Aufhänger anbringen, sichern Sie ihn immer einwandfrei mit der Schraube. Anderenfalls kann sich der Aufhänger vom Werkzeug lösen und Personenschaden verursachen.

⚠️ VORSICHT: Achten Sie darauf, dass Sie das Werkzeug sicher aufhängen, bevor Sie den Griff loslassen. Unzureichendes oder unausgewogenes Einhängen kann ein Herunterfallen verursachen, und Sie können sich verletzen.

⚠️ VORSICHT: Verwenden Sie einen Karabiner mit ausreichender Festigkeit. Anderenfalls kann der Karabiner brechen und Verletzungen verursachen.

Das Werkzeug kann mit dem Aufhänger in den Karabiner eingehängt werden.

► **Abb.26:** 1. Aufhänger 2. Karabiner

Der Aufhänger kann auf beiden Seiten des Werkzeugs installiert werden. Um den Aufhänger zu installieren, führen Sie ihn in das Loch des Werkzeugs ein, und sichern Sie ihn dann mit einer Schraube. Um ihn zu entfernen, lösen Sie die Schraube, und nehmen Sie ihn dann heraus.

► **Abb.27:** 1. Loch 2. Aufhänger 3. Schraube

FUNK-AKTIVIERUNGS-FUNKTION

Mit der Funk-Aktivierungsfunktion verfügbare Möglichkeiten

Die Funk-Aktivierungsfunktion ermöglicht sauberen und komfortablen Betrieb. Wenn Sie ein unterstütztes Sauggerät an das Werkzeug anschließen, können Sie das Sauggerät automatisch mit der Schalterbetätigung des Werkzeugs betreiben.

► **Abb.28**

Um die Funk-Aktivierungsfunktion zu benutzen, benötigen Sie die folgenden Gegenstände:

- Einen Funk-Adapter (Sonderzubehör)
- Ein Sauggerät, das die Funk-Aktivierungsfunktion unterstützt

Die Übersicht über die Einstellung der Funk-Aktivierungsfunktion ist wie folgt. Ausführliche Verfahren entnehmen Sie bitte dem jeweiligen Abschnitt.

1. Installieren des Funk-Adapters

2. Werkzeugregistrierung für das Sauggerät
3. Starten der Funk-Aktivierungsfunktion

Installieren des Funk-Adapters

Sonderzubehör

⚠️ VORSICHT: Legen Sie das Werkzeug zum Installieren des Funk-Adapters auf eine ebene und stabile Oberfläche.

ANMERKUNG: Entfernen Sie Staub und Schmutz vom Werkzeug, bevor Sie den Funk-Adapter installieren. Staub oder Schmutz können eine Funktionsstörung verursachen, falls sie in den Steckplatz des Funk-Adapters gelangen.

ANMERKUNG: Um eine durch statische Entladung verursachte Funktionsstörung zu verhindern, berühren Sie ein Statikentladungsmaterial, wie z. B. ein Metallteil des Werkzeugs, bevor Sie den Funk-Adapter anfassen.

ANMERKUNG: Achten Sie beim Installieren des Funk-Adapters immer darauf, dass der Funk-Adapter in der korrekten Richtung eingeführt wird und der Deckel vollständig geschlossen ist.

1. Öffnen Sie den Deckel am Werkzeug, wie in der Abbildung gezeigt.

► **Abb.29:** 1. Deckel

2. Führen Sie den Funk-Adapter in den Steckplatz ein, und schließen Sie dann den Deckel.

Wenn Sie den Funk-Adapter einführen, richten Sie die Vorsprünge auf die Vertiefungen des Steckplatzes aus.

► **Abb.30:** 1. Funk-Adapter 2. Vorsprung 3. Deckel 4. Vertiefung

Zum Entfernen des Funk-Adapters öffnen Sie den Deckel langsam. Die Haken an der Rückseite des Deckels heben den Funk-Adapter an, wenn Sie den Deckel hochziehen.

► **Abb.31:** 1. Funk-Adapter 2. Haken 3. Deckel

Bewahren Sie den Funk-Adapter nach der Entnahme in der mitgelieferten Schachtel oder einem statikfreien Behälter auf.

ANMERKUNG: Verwenden Sie immer die Haken an der Rückseite des Deckels zum Entfernen des Funk-Adapters. Falls die Haken den Funk-Adapter nicht greifen, schließen Sie den Deckel vollständig, und öffnen Sie ihn dann wieder langsam.

Werkzeugregistrierung für das Sauggerät

HINWEIS: Ein Makita-Sauggerät, das die Funk-Aktivierungsfunktion unterstützt, ist für die Werkzeugregistrierung erforderlich.

HINWEIS: Die Installation des Funk-Adapters im Werkzeug muss vollendet sein, bevor mit der Werkzeugregistrierung begonnen wird.

HINWEIS: Unterlassen Sie während der Werkzeugregistrierung die Betätigung des Auslöseschalters oder das Einschalten des Ein-Aus-Schalters am Sauggerät.

HINWEIS: Nehmen Sie auch auf die Betriebsanleitung des Sauggerätes Bezug.

Wenn Sie das Sauggerät zusammen mit der Schalterbetätigung des Werkzeugs aktivieren möchten, müssen Sie zuvor die Werkzeugregistrierung beenden.

1. Setzen Sie die Akkus in das Sauggerät und das Werkzeug ein.
2. Stellen Sie den Bereitschaftsschalter am Sauggerät auf „AUTO“.
► **Abb.32:** 1. Bereitschaftsschalter
3. Drücken Sie die Funk-Aktivierungstaste am Sauggerät für 3 Sekunden, bis die Funk-Aktivierungslampe in Grün blinkt. Drücken Sie dann die Funk-Aktivierungstaste am Werkzeug in der gleichen Weise.
► **Abb.33:** 1. Funk-Aktivierungstaste
2. Funk-Aktivierungslampe

Wenn Sauggerät und Werkzeug erfolgreich verbunden werden, leuchten die Funk-Aktivierungslampen 2 Sekunden lang in Grün auf und beginnen dann in Blau zu blinken.

HINWEIS: Nach Ablauf von 20 Sekunden hören die Funk-Aktivierungslampen auf, in Grün zu blinken. Drücken Sie die Funk-Aktivierungstaste am Werkzeug, während die Funk-Aktivierungslampe am Staubsauger blinkt. Falls die Funk-Aktivierungslampe nicht in Grün blinkt, drücken Sie die Funk-Aktivierungstaste kurz, und halten Sie sie erneut gedrückt.

HINWEIS: Wenn Sie zwei oder mehr Werkzeugregistrierungen für ein Sauggerät durchführen, beenden Sie die Werkzeugregistrierungen nacheinander.

Starten der Funk-Aktivierungsfunktion

HINWEIS: Beenden Sie die Werkzeugregistrierung für das Sauggerät vor der Funk-Aktivierung.

HINWEIS: Nehmen Sie auch auf die Betriebsanleitung des Sauggerätes Bezug.

Nachdem Sie ein Werkzeug im Sauggerät registriert haben, läuft das Sauggerät automatisch mit der Schalterbetätigung am Werkzeug an.

1. Installieren Sie den Funk-Adapter im Werkzeug.
2. Schließen Sie den Schlauch des Sauggerätes am Werkzeug an.
► **Abb.34**
3. Stellen Sie den Bereitschaftsschalter am Sauggerät auf „AUTO“.
► **Abb.35:** 1. Bereitschaftsschalter
4. Drücken Sie die Funk-Aktivierungstaste am Werkzeug kurz. Die Funk-Aktivierungslampe blinkt in Blau.
► **Abb.36:** 1. Funk-Aktivierungstaste
2. Funk-Aktivierungslampe
5. Schalten Sie das Werkzeug ein. Prüfen Sie, ob das Sauggerät während des Betriebs des Werkzeugs läuft.

Um die Funk-Aktivierung des Sauggerätes zu stoppen, drücken Sie die Funk-Aktivierungstaste am Werkzeug.

HINWEIS: Die Funk-Aktivierungslampe am Werkzeug hört auf, in Blau zu blinken, wenn 2 Stunden lang kein Betrieb erfolgt. Stellen Sie in diesem Fall den Bereitschaftsschalter am Sauggerät auf „AUTO“, und drücken Sie die Funk-Aktivierungstaste am Werkzeug erneut.

HINWEIS: Das Sauggerät startet/stoppt mit einer Verzögerung. Es tritt eine Zeitverzögerung auf, wenn das Sauggerät eine Schalterbetätigung des Werkzeugs erkennt.










HINWEIS: Die Übertragungreichweite des Funk-Adapters kann abhängig vom Ort und den Umgebungsbedingungen schwanken.

HINWEIS: Wenn zwei oder mehr Werkzeuge in einem Sauggerät registriert sind, kann das Sauggerät anlaufen, selbst wenn Sie Ihr Werkzeug nicht einschalten, weil ein anderer Benutzer die Funk-Aktivierungsfunktion benutzt.

Beschreibung des Zustands der Funk-Aktivierungslampe

- **Abb.37:** 1. Funk-Aktivierungslampe

Die Funk-Aktivierungslampe zeigt den Zustand der Funk-Aktivierungsfunktion an. Die Bedeutung des Lampenzustands ist aus der nachstehenden Tabelle ersichtlich.

Zustand	Funk-Aktivierungslampe				Beschreibung
	Farbe	 Ein	 Blinkend	Dauer	
Bereitschaft	Blau			2 Stunden	Die Funk-Aktivierung des Sauggerätes ist verfügbar. Die Lampe erlischt automatisch, wenn 2 Stunden lang kein Betrieb erfolgt.
				Wenn das Werkzeug läuft.	Die Funk-Aktivierung des Sauggerätes ist verfügbar, und das Werkzeug läuft.
Werkzeugregistrierung	Grün			20 Sekunden	Bereit für die Werkzeugregistrierung. Warten auf die Registrierung durch das Sauggerät.
				2 Sekunden	Die Werkzeugregistrierung ist beendet worden. Die Funk-Aktivierungslampe beginnt, in Blau zu blinken.
Aufheben der Werkzeugregistrierung	Rot			20 Sekunden	Bereit für die Aufhebung der Werkzeugregistrierung. Warten auf die Aufhebung durch das Sauggerät.
				2 Sekunden	Die Aufhebung der Werkzeugregistrierung ist beendet worden. Die Funk-Aktivierungslampe beginnt, in Blau zu blinken.
Sonstiges	Rot			3 Sekunden	Der Funk-Adapter wird mit Strom versorgt, und die Funk-Aktivierungsfunktion wird gestartet.
	Aus	-		-	Die Funk-Aktivierung des Sauggerätes ist gestoppt.

Aufheben der Werkzeugregistrierung für das Sauggerät

Führen Sie das folgende Verfahren durch, um die Werkzeugregistrierung für das Sauggerät aufzuheben.

1. Setzen Sie die Akkus in das Sauggerät und das Werkzeug ein.
2. Stellen Sie den Bereitschaftsschalter am Sauggerät auf „AUTO“.
▶ **Abb.38:** 1. Bereitschaftsschalter
3. Drücken Sie die Funk-Aktivierungstaste am Sauggerät für 6 Sekunden. Die Funk-Aktivierungslampe blinkt in Grün und wird dann rot. Drücken Sie danach

die Funk-Aktivierungstaste am Werkzeug in der gleichen Weise.

- ▶ **Abb.39:** 1. Funk-Aktivierungstaste
2. Funk-Aktivierungslampe

Wenn die Aufhebung erfolgreich war, leuchten die Funk-Aktivierungslampen 2 Sekunden lang in Rot auf und beginnen dann in Blau zu blinken.

HINWEIS: Nach Ablauf von 20 Sekunden hören die Funk-Aktivierungslampen auf, in Rot zu blinken. Drücken Sie die Funk-Aktivierungstaste am Werkzeug, während die Funk-Aktivierungslampe am Staubsauger blinkt. Falls die Funk-Aktivierungslampe nicht in Rot blinkt, drücken Sie die Funk-Aktivierungstaste kurz, und halten Sie sie erneut gedrückt.

Fehlersuche für Funk-Aktivierungsfunktion

Bevor Sie den Reparaturdienst anrufen, führen Sie zunächst Ihre eigene Inspektion durch. Falls Sie ein Problem finden, das nicht in der Anleitung erläutert wird, versuchen Sie nicht, das Werkzeug zu zerlegen. Wenden Sie sich stattdessen an autorisierte Makita-Kundendienstzentren, und achten Sie darauf, dass stets Makita-Ersatzteile für Reparaturen verwendet werden.

Zustand der Unregelmäßigkeit	Wahrscheinliche Ursache (Funktionsstörung)	Abhilfemaßnahme
Die Funk-Aktivierungslampe leuchtet/blinkt nicht.	Es ist kein Funk-Adapter im Werkzeug installiert. Der Funk-Adapter ist falsch im Werkzeug installiert.	Installieren Sie den Funk-Adapter korrekt.
	Die Kontakte des Funk-Adapters und/oder des Steckplatzes sind verschmutzt.	Wischen Sie Staub und Schmutz an den Kontakten des Funk-Adapters sachte ab, und reinigen Sie den Steckplatz.
	Die Funk-Aktivierungstaste am Werkzeug ist nicht gedrückt worden.	Drücken Sie die Funk-Aktivierungstaste am Werkzeug kurz.
	Der Bereitschaftsschalter am Sauggerät ist nicht auf „AUTO“ eingestellt.	Stellen Sie den Bereitschaftsschalter am Sauggerät auf „AUTO“.
	Keine Stromversorgung	Versorgen Sie Werkzeug und Sauggerät mit Strom.

Zustand der Unregelmäßigkeit	Wahrscheinliche Ursache (Funktionsstörung)	Abhilfemaßnahme
Die Werkzeugregistrierung/ Aufhebung der Werkzeugregistrierung kann nicht erfolgreich beendet werden.	Es ist kein Funk-Adapter im Werkzeug installiert. Der Funk-Adapter ist falsch im Werkzeug installiert.	Installieren Sie den Funk-Adapter korrekt.
	Die Kontakte des Funk-Adapters und/oder des Steckplatzes sind verschmutzt.	Wischen Sie Staub und Schmutz an den Kontakten des Funk-Adapters sachte ab, und reinigen Sie den Steckplatz.
	Der Bereitschaftsschalter am Sauggerät ist nicht auf „AUTO“ eingestellt.	Stellen Sie den Bereitschaftsschalter am Sauggerät auf „AUTO“.
	Keine Stromversorgung	Versorgen Sie Werkzeug und Sauggerät mit Strom.
	Falsche Bedienung	Drücken Sie die Funk-Aktivierungstaste kurz, und führen Sie das Verfahren der Werkzeugregistrierung/Aufhebung der Werkzeugregistrierung erneut durch.
	Der Abstand zwischen Werkzeug und Sauggerät ist zu groß (außerhalb der Übertragungreichweite).	Verkleinern Sie den Abstand zwischen Werkzeug und Sauggerät. Die maximale Übertragungreichweite beträgt ungefähr 10 m, sie kann aber je nach den Umständen schwanken.
	Bevor Sie die Werkzeugregistrierung/ Aufhebung der Werkzeugregistrierung beenden; - der Schalter des Werkzeugs wird eingeschaltet, oder; - die Betriebstaste am Sauggerät wird eingeschaltet.	Drücken Sie die Funk-Aktivierungstaste kurz, und führen Sie das Verfahren der Werkzeugregistrierung/Aufhebung der Werkzeugregistrierung erneut durch.
	Die Verfahren der Werkzeugregistrierung für das Werkzeug oder das Sauggerät sind nicht beendet.	Führen Sie die Verfahren der Werkzeugregistrierung sowohl für das Werkzeug als auch das Sauggerät zum selben Zeitpunkt durch.
	Funkstörungen durch andere Geräte, die starke Funkwellen erzeugen.	Halten Sie das Werkzeug und das Sauggerät von solchen Geräten wie WLAN-Geräten und Mikrowellenöfen fern.
Das Sauggerät läuft bei der Schalterbetätigung des Werkzeugs nicht an.	Es ist kein Funk-Adapter im Werkzeug installiert. Der Funk-Adapter ist falsch im Werkzeug installiert.	Installieren Sie den Funk-Adapter korrekt.
	Die Kontakte des Funk-Adapters und/oder des Steckplatzes sind verschmutzt.	Wischen Sie Staub und Schmutz an den Kontakten des Funk-Adapters sachte ab, und reinigen Sie den Steckplatz.
	Die Funk-Aktivierungstaste am Werkzeug ist nicht gedrückt worden.	Drücken Sie die Funk-Aktivierungstaste kurz, und vergewissern Sie sich, dass die Funk-Aktivierungslampe in Blau blinkt.
	Der Bereitschaftsschalter am Sauggerät ist nicht auf „AUTO“ eingestellt.	Stellen Sie den Bereitschaftsschalter am Sauggerät auf „AUTO“.
	Es sind mehr als 10 Werkzeuge im Sauggerät registriert.	Führen Sie die Werkzeugregistrierung erneut durch. Wenn mehr als 10 Werkzeuge im Sauggerät registriert werden, wird die Registrierung des ersten Werkzeugs automatisch gelöscht.
	Das Sauggerät hat alle Werkzeugregistrierungen gelöscht.	Führen Sie die Werkzeugregistrierung erneut durch.
	Keine Stromversorgung	Versorgen Sie Werkzeug und Sauggerät mit Strom.
	Der Abstand zwischen Werkzeug und Sauggerät ist zu groß (außerhalb der Übertragungreichweite).	Verkleinern Sie den Abstand zwischen Werkzeug und Sauggerät. Die maximale Übertragungreichweite beträgt ungefähr 10 m, sie kann aber je nach den Umständen schwanken.
	Funkstörungen durch andere Geräte, die starke Funkwellen erzeugen.	Halten Sie das Werkzeug und das Sauggerät von solchen Geräten wie WLAN-Geräten und Mikrowellenöfen fern.
Das Sauggerät läuft, während das Werkzeug außer Betrieb ist.	Andere Benutzer nutzen die Funk-Aktivierung des Sauggerätes mit ihren Werkzeugen.	Schalten Sie die Funk-Aktivierungstaste der anderen Werkzeuge aus, oder heben Sie die Werkzeugregistrierung der anderen Werkzeuge auf.

WARTUNG

⚠ VORSICHT: Vergewissern Sie sich vor der Durchführung von Inspektions- oder Wartungsarbeiten stets, dass das Werkzeug ausgeschaltet und der Akku abgenommen ist.

ANMERKUNG: Verwenden Sie auf keinen Fall Benzin, Waschbenzin, Verdünnern, Alkohol oder dergleichen. Solche Mittel können Verfärbung, Verformung oder Rissbildung verursachen.

Um die SICHERHEIT und ZUVERLÄSSIGKEIT dieses Produkts zu gewährleisten, sollten Reparaturen und andere Wartungs- oder Einstellarbeiten nur von Makita-Vertragswerkstätten oder Makita-Kundendienstzentren unter ausschließlicher Verwendung von Makita-Originalersatzteilen ausgeführt werden.

Nach der Benutzung

Wischen Sie das Werkzeug in regelmäßigen Abständen mit einem trockenen oder leicht mit Seifenwasser angefeuchteten Tuch ab.

Austauschen des Schleiftellers

Tauschen Sie den Schleifteller aus, wenn der folgende Fall eintritt.

- Wenn der Klettverschluss am Schleifteller abgenutzt ist.
 - Wenn Sie den Schleifteller von rechteckig auf deltaförmig oder umgekehrt ändern möchten.
1. Lösen und entfernen Sie die Schrauben, die den Schleifteller und die Grundplatte sichern, vom Werkzeug.
▶ **Abb.40:** 1. Schraube 2. Schleifteller 3. Grundplatte
 2. Tauschen Sie den aktuellen Schleifteller und die Grundplatte gegen einen anderen Schleifteller und eine andere Grundplatte aus.
 3. Ziehen Sie dann die Schrauben wieder an, um den Schleifteller zu sichern.

SONDERZUBEHÖR

⚠ VORSICHT: Die folgenden Zubehörteile oder Vorrichtungen werden für den Einsatz mit dem in dieser Anleitung beschriebenen Makita-Werkzeug empfohlen. Die Verwendung anderer Zubehörteile oder Vorrichtungen kann eine Verletzungsgefahr darstellen. Verwenden Sie Zubehörteile oder Vorrichtungen nur für ihren vorgesehenen Zweck.

Wenn Sie weitere Einzelheiten bezüglich dieser Zubehörteile benötigen, wenden Sie sich bitte an Ihre Makita-Kundendienststelle.

- Schleifpapier (Klettverschluss)
- Schleiftellerschoner
- Rechteckiger Schleifteller
- Delta-Schleifteller
- Staubbeutel
- Tragegurt

- Schutzhülle
- Akku-Adapter
- Funk-Adapter
- Original-Makita-Akku und -Ladegerät

HINWEIS: Manche Teile in der Liste können als Standardzubehör im Werkzeugsatz enthalten sein. Sie können von Land zu Land unterschiedlich sein.

DATI TECNICI

Modello:		BO005CG	BO006CG
Platorello in dotazione di serie		Platorello rettangolare	Platorello a delta
Carta abrasiva	Per il platorello rettangolare	80 mm x 130 mm	
	Per il platorello a delta	100 mm x 150 mm	
Orbite (giri) al minuto		6.000 - 10.000 min ⁻¹	
Diametro orbite (giri)		3,0 mm	
Lunghezza complessiva		236 mm	263 mm
Tensione nominale		36 V - 40 V CC max	
Peso netto* ¹		0,93 kg	

- A causa del nostro programma continuativo di ricerca e sviluppo, i dati tecnici sono soggetti a modifiche senza preavviso.
- I dati tecnici possono variare da nazione a nazione.
- Il peso in base alla procedura EPTA 01/2014 è indicato nella tabella.

*1: Peso senza accessori, cartuccia o cartucce delle batterie

Cartuccia della batteria e caricabatterie applicabili

Cartuccia della batteria	BL4020* / BL4025* / BL4040* / BL4040F* / BL4050F / BL4080F * : Batteria consigliata
Caricabatterie	DC40RA / DC40RB / DC40RC / DC40WA

- Alcune cartucce delle batterie e alcuni caricabatterie elencati sopra potrebbero non essere disponibili a seconda della propria area geografica di residenza.

⚠AVVERTIMENTO: Utilizzare solo le cartucce delle batterie e i caricabatterie elencati sopra. L'utilizzo di altre cartucce delle batterie e di altri caricabatterie potrebbe causare lesioni personali e/o un incendio.

Fonte di alimentazione collegata via cavo consigliata

Gruppo di alimentazione portatile	PDC01 / PDC1200 / PDC1500
-----------------------------------	---------------------------

- La fonte o le fonti di alimentazione collegate via cavo elencate sopra potrebbero non essere disponibili, a seconda della propria area geografica di residenza.
- Prima di utilizzare la fonte di alimentazione collegata via cavo, leggere le istruzioni e le indicazioni delle avvertenze riportate su quest'ultima.

Simboli

Le figure seguenti mostrano i simboli utilizzati per l'apparecchio. Accertarsi di comprenderne il significato prima dell'uso.



Leggere il manuale d'uso.



Indossare una protezione per gli occhi.



Adottare cura e attenzione particolari.



Per ridurre il rischio di lesioni personali, tenere il cavo elettrico lontano dagli ostacoli.



Non sottoporre a usi impropri il cavo elettrico. Un cavo elettrico danneggiato incrementa il rischio di lesioni personali.



Solo per le nazioni dell'EU
A causa della presenza di componenti pericolosi nelle apparecchiature, i rifiuti di apparecchiature elettriche ed elettroniche, accumulatori e batterie potrebbero produrre un impatto negativo sull'ambiente e sulla salute umana.
Non smaltire elettrodomestici elettrici ed elettronici o batterie insieme ai rifiuti domestici!
In conformità alla direttiva europea sui rifiuti di apparecchiature elettriche ed elettroniche (RAEE), sugli accumulatori e le batterie, nonché sui rifiuti di accumulatori e batterie, e al suo adattamento alle normative nazionali, i rifiuti di apparecchiature elettriche ed elettroniche, batterie e accumulatori vanno conservati separatamente e conferiti a un punto di raccolta separato per i rifiuti comunali, operando in conformità alle normative per la protezione dell'ambiente.
Tale requisito viene indicato mediante il simbolo del bidone della spazzatura con ruote barrato apposto sull'apparecchio.

Utilizzo previsto

Questo utensile serve alla smerigliatura di grandi superfici di legno, plastica e metallo, nonché di superfici verniciate.

Rumore

Livello tipico di rumore pesato A determinato in base allo standard EN62841-2-4:

Modello	Livello di pressione sonora (L_{pA}): (dB (A))	Incertezza (K): (dB (A))
BO005CG	73	3
BO006CG	76	3

Il livello del rumore nelle condizioni di lavoro può superare gli 80 dB (A).

NOTA: Il valore o i valori dichiarati delle emissioni di rumori sono stati misurati in conformità a un metodo standard di verifica, e possono essere utilizzati per confrontare un utensile con un altro.

NOTA: Il valore o i valori dichiarati delle emissioni di rumori possono venire utilizzati anche per una valutazione preliminare dell'esposizione.

AVVERTIMENTO: Indossare protezioni per le orecchie.

AVVERTIMENTO: L'emissione di rumori durante l'utilizzo effettivo dell'utensile elettrico può variare rispetto al valore o ai valori dichiarati, a seconda dei modi in cui viene utilizzato l'utensile e specialmente a seconda di che tipo di pezzo venga lavorato.

AVVERTIMENTO: Accertarsi di identificare misure di sicurezza per la protezione dell'operatore che siano basate su una stima dell'esposizione nelle condizioni effettive di utilizzo (tenendo conto di tutte le parti del ciclo operativo, ad esempio del numero di spegnimenti dell'utensile e di quando giri a vuoto, oltre al tempo di attivazione).

Vibrazioni

Valore totale delle vibrazioni (somma vettoriale triassiale) determinato in base allo standard EN62841-2-4: Modalità di lavoro: smerigliatura di piastre metalliche

Modello	Emissione di vibrazioni ($a_{h, AG}$): (m/s^2)	Incertezza (K): (m/s^2)
BO005CG	2,6	1,5
BO006CG	2,6	1,5

NOTA: Il valore o i valori complessivi delle vibrazioni dichiarati sono stati misurati in conformità a un metodo standard di verifica, e possono essere utilizzati per confrontare un utensile con un altro.

NOTA: Il valore o i valori complessivi delle vibrazioni dichiarati possono venire utilizzati anche per una valutazione preliminare dell'esposizione.

AVVERTIMENTO: L'emissione delle vibrazioni durante l'utilizzo effettivo dell'utensile elettrico può variare rispetto al valore o ai valori dichiarati, a seconda dei modi in cui viene utilizzato l'utensile, specialmente a seconda di che tipo di pezzo venga lavorato.

AVVERTIMENTO: Accertarsi di identificare misure di sicurezza per la protezione dell'operatore che siano basate su una stima dell'esposizione nelle condizioni effettive di utilizzo (tenendo conto di tutte le parti del ciclo operativo, ad esempio del numero di spegnimenti dell'utensile e di quando giri a vuoto, oltre al tempo di attivazione).

Dichiarazioni di conformità

Solo per i paesi europei

Le Dichiarazioni di conformità sono incluse nell'Allegato A al presente manuale d'uso.

AVVERTENZE DI SICUREZZA

Avvertenze generali relative alla sicurezza dell'utensile elettrico

AVVERTIMENTO Leggere tutte le avvertenze di sicurezza, le istruzioni, le illustrazioni e i dati tecnici forniti insieme a questo utensile elettrico. La mancata osservanza di tutte le istruzioni seguenti potrebbe risultare in scosse elettriche, incendi e/o gravi lesioni personali.

Conservare tutte le avvertenze e le istruzioni come riferimento futuro.

Il termine "utensile elettrico" nelle avvertenze si riferisce sia all'utensile elettrico (cablato) nel funzionamento alimentato da rete elettrica che all'utensile elettrico (a batteria) nel funzionamento alimentato a batteria.

Avvertenze di sicurezza relative alla levigatrice

1. **Utilizzare sempre occhiali oppure occhialoni di sicurezza.** I normali occhiali o gli occhiali da sole **NON** sono occhiali di sicurezza.
2. **Tenere saldamente l'utensile.**
3. **Non lasciare l'utensile mentre è in funzione.** Far funzionare l'utensile solo mentre viene tenuto in mano.
4. **Questo utensile non è impermeabile, pertanto non utilizzare acqua sulla superficie del pezzo.**
5. **Ventilare adeguatamente l'area di lavoro durante le operazioni di smerigliatura.**
6. **Alcuni materiali contengono sostanze chimiche che potrebbero essere tossiche. Adottare delle precauzioni per evitare l'inhalazione o il contatto con la pelle delle polveri. Attenersi ai dati relativi alla sicurezza forniti dal produttore del materiale.**
7. **L'utilizzo del presente utensile per smerigliare alcuni prodotti, vernici e legni potrebbe esporre l'utente a polveri contenenti sostanze pericolose. Utilizzare protezioni appropriate per le vie respiratorie.**
8. **Accertarsi che sul platello non siano presenti fessurazioni o spaccature prima di utilizzarlo. Un pezzo che presenti fessurazioni o spaccature potrebbe causare lesioni personali.**
9. **Fare attenzione all'appoggio sui piedi e mantenere l'equilibrio con l'utensile. Quando si intende lavorare in ubicazioni elevate, accertarsi che non siano presenti persone sotto di sé. Qualora si facciano cadere l'utensile o componenti della macchina dall'alto, si potrebbero causare gravi lesioni personali.**
10. **Non utilizzare accessori che non siano consigliati dal produttore.** La sicurezza di accessori che non siano consigliati dal produttore non è garantita, anche qualora possano essere montati.
11. **Mantenere le mani e il corpo lontani dal lato inferiore dell'utensile durante l'uso.**

CONSERVARE LE PRESENTI ISTRUZIONI.

⚠AVVERTIMENTO: NON lasciare che comodità o la familiarità d'utilizzo con il prodotto (acquisita con l'uso ripetuto) sostituisca la stretta osservanza delle norme di sicurezza per il prodotto in questione. L'USO IMPROPRIO o la mancata osservanza delle norme di sicurezza indicate nel presente manuale di istruzioni potrebbero causare gravi lesioni personali.

Avvertenza di sicurezza relative all'alimentatore a batteria

1. **Quando il cavo elettrico diventa estremamente caldo, interrompere l'utilizzo del prodotto e spegnere l'utensile o la macchina. Consentirgli di raffreddarsi, prima di riavviarlo.**
2. **Quando si intende trasportare l'utensile o la macchina, o lasciarli incustoditi, rimuovere**

l'alimentatore dall'utensile o dalla macchina, oppure sganciare il portabatteria dal proprio corpo, e così via.

- Il cavo elettrico potrebbe restare impigliato in persone oppure ostacoli nelle vicinanze e causare lesioni personali.

- Si potrebbe accidentalmente tirare l'utensile o la macchina collegati al proprio corpo, e questo potrebbe causare un inciampo o la caduta dell'utensile o della macchina, causando lesioni personali.

3. **Mentre si sta utilizzando il prodotto in ubicazioni elevate, utilizzare sempre una cintura di sicurezza.** Tenere presente che una caduta accidentale dell'utensile o della macchina potrebbe influenzare l'equilibrio dell'utilizzatore, e potrebbe sussistere il rischio di caduta dall'alto.
4. **Non riporre né far funzionare questo prodotto con il cavo ritorto.** Un cavo danneggiato o attorcigliato potrebbe incrementare il rischio di scossa elettrica o di incendio a causa di un cortocircuito nei cablaggi.
5. **Prima dell'uso, ispezionare il cavo elettrico e i componenti del prodotto alla ricerca di eventuali anomalie.** Qualora si rilevino delle anomalie, interrompere immediatamente l'utilizzo del prodotto e richiedere la riparazione presso un centro di assistenza autorizzato Makita.

Istruzioni di sicurezza importanti per la cartuccia della batteria

1. **Prima di utilizzare la cartuccia della batteria, leggere tutte le istruzioni e le avvertenze riportate (1) sul caricabatteria, (2) sulla batteria e (3) sul prodotto che utilizza la batteria.**
 2. **Non smantellare né manomettere la cartuccia della batteria.** In caso contrario, si potrebbe causare un incendio, calore eccessivo o un'esplosione.
 3. **Qualora il tempo di utilizzo si riduca eccessivamente, interrompere immediatamente l'utilizzo dell'utensile.** In caso contrario, si può incorrere nel rischio di surriscaldamento, possibili ustioni e persino un'esplosione.
 4. **Qualora l'elettrolita entri in contatto con gli occhi, sciacquarli con acqua pulita e richiedere immediatamente assistenza medica.** Questa eventualità può risultare nella perdita della vista.
 5. **Non cortocircuitare la cartuccia della batteria:**
 - (1) **Non toccare i terminali con alcun materiale conduttivo.**
 - (2) **Evitare di conservare la cartuccia della batteria in un contenitore insieme ad altri oggetti metallici quali chiodi, monete, e così via.**
 - (3) **Non esporre la cartuccia della batteria all'acqua o alla pioggia.**
- Un cortocircuito della batteria può causare un grande flusso di corrente, un surriscaldamento, possibili ustioni e persino un guasto.
6. **Non conservare e utilizzare l'utensile e la cartuccia della batteria in ubicazioni in cui la temperatura possa raggiungere o superare i 50**

°C.

7. **Non incenerire la cartuccia della batteria anche qualora sia gravemente danneggiata o completamente esaurita. La cartuccia della batteria può esplodere se a contatto con il fuoco.**
8. **Non inchiodare, tagliare, schiacciare, lanciare o far cadere la cartuccia della batteria, né farla urtare con forza contro un oggetto duro.** Questi comportamenti potrebbero risultare in un incendio, calore eccessivo o un'esplosione.
9. **Non utilizzare una batteria danneggiata.**
10. **Le batterie a ioni di litio contenute sono soggette ai requisiti del regolamento sul trasporto di merci pericolose (Dangerous Goods Legislation).**
Per trasporti commerciali, ad esempio da parte di terzi o spedizionieri, è necessario osservare dei requisiti speciali sull'imballaggio e sull'etichetta. Per la preparazione dell'articolo da spedire, è richiesta la consulenza di un esperto in materiali pericolosi. Attenersi anche alle normative nazionali, che potrebbero essere più dettagliate. Nastrare o coprire i contatti aperti e imballare la batteria in modo tale che non si possa muovere liberamente all'interno dell'imballaggio.
11. **Quando si intende smaltire la cartuccia della batteria, rimuoverla dall'utensile e smaltirla in un luogo sicuro. Attenersi alle normative locali relative allo smaltimento della batteria.**
12. **Utilizzare le batterie esclusivamente con i prodotti specificati da Makita.** L'installazione delle batterie in prodotti non compatibili potrebbe risultare in incendi, calore eccessivo, esplosioni o perdite di liquido elettrolitico.
13. **Se l'utensile non viene utilizzato per un periodo di tempo prolungato, la batteria deve essere rimossa dall'utensile.**
14. **Durante e dopo l'uso, la cartuccia della batteria potrebbe assorbire calore, che può causare ustioni o ustioni a bassa temperatura. Fare attenzione a come si maneggiano le cartucce delle batterie estremamente calde.**
15. **Non toccare i terminali dell'utensile subito dopo l'uso, in quanto potrebbero diventare estremamente caldi al punto da causare ustioni.**
16. **Evitare di far incastrare schegge, polveri o terreno nei terminali, nei fori e nelle scanalature della cartuccia della batteria.** In caso contrario, l'utensile o la cartuccia della batteria potrebbero riscaldarsi, prendere fuoco, scoppiare o guastarsi, causando ustioni o lesioni personali.
17. **A meno che l'utensile supporti l'uso in prossimità di linee elettriche ad alta tensione, non utilizzare la cartuccia della batteria in prossimità di linee elettriche ad alta tensione.** In caso contrario, si potrebbe causare un malfunzionamento o la rottura dell'utensile o della cartuccia della batteria.
18. **Tenere la batteria lontana dai bambini.**

CONSERVARE LE PRESENTI ISTRUZIONI.

⚠ATTENZIONE: Utilizzare solo batterie originali Makita. L'utilizzo di batterie Makita non originali, o di batterie che siano state alterate, potrebbe risultare nello scoppio della batteria, causando incendi, lesioni personali e danni. Inoltre, ciò potrebbe invalidare la garanzia Makita per l'utensile e il caricabatterie Makita.

Suggerimenti per preservare la durata massima della batteria

1. **Caricare la cartuccia della batteria prima che si scarichi completamente. Smettere sempre di utilizzare l'utensile e caricare la cartuccia della batteria quando si nota che la potenza dell'utensile è diminuita.**
2. **Non ricaricare mai una cartuccia della batteria completamente carica. La sovraccarica riduce la vita utile della batteria.**
3. **Caricare la cartuccia della batteria a una temperatura ambiente compresa tra 10 °C e 40 °C. Lasciar raffreddare una cartuccia della batteria prima di caricarla.**
4. **Quando non si utilizza la cartuccia della batteria, rimuoverla dall'utensile o dal caricabatterie.**
5. **Caricare la cartuccia della batteria se non la si è utilizzata per un periodo di tempo prolungato (più di sei mesi).**

Istruzioni importanti per la sicurezza dell'unità senza fili

1. **Non smontare né manomettere l'unità senza fili.**
2. **Tenere l'unità senza fili lontana dai bambini piccoli. Qualora venga inghiottita accidentalmente, richiedere immediatamente assistenza medica.**
3. **Utilizzare l'unità senza fili esclusivamente con utensili Makita.**
4. **Non esporre l'unità senza fili alla pioggia o a condizioni di bagnato.**
5. **Non utilizzare l'unità senza fili in luoghi in cui la temperatura superi i 50 °C.**
6. **Non utilizzare l'unità senza fili in luoghi in cui siano presenti strumenti medici, ad esempio pacemaker, nelle vicinanze.**
7. **Non utilizzare l'unità senza fili in luoghi in cui siano presenti dispositivi automatizzati nelle vicinanze.** In caso contrario, i dispositivi automatizzati potrebbero sviluppare un malfunzionamento o un errore.
8. **Non far funzionare l'unità senza fili in ubicazioni con temperatura ambiente elevata o in ubicazioni in cui potrebbero venire generati elettricità statica o disturbi elettrici.**
9. **L'unità senza fili può produrre campi elettromagnetici (EMF) ma questi ultimi non sono dannosi per l'utente.**
10. **L'unità senza fili è uno strumento preciso. Fare attenzione a non far cadere e a non colpire l'unità senza fili.**
11. **Evitare di toccare il terminale dell'unità senza**

- fili a mani nude o con materiali metallici.
12. Rimuovere sempre la batteria sul prodotto quando si intende installare su quest'ultimo l'unità senza fili.
 13. Quando si intende aprire il coperchio dell'alloggiamento, evitare ubicazioni in cui polvere e acqua potrebbero penetrare nell'alloggiamento. Mantenere sempre l'apertura di entrata dell'alloggiamento pulita.
 14. Inserire sempre l'unità senza fili nella direzione corretta.
 15. Non premere con forza eccessiva il pulsante di attivazione della comunicazione senza fili sull'unità senza fili, né premere il pulsante con un oggetto dal bordo affilato.
 16. Chiudere sempre il coperchio dell'alloggiamento durante il funzionamento.
 17. Non rimuovere l'unità senza fili dall'alloggiamento mentre viene fornita l'alimentazione all'utensile. In caso contrario, si potrebbe causare un malfunzionamento dell'unità senza fili.
 18. Non rimuovere l'adesivo sull'unità senza fili.
 19. Non applicare alcun adesivo sull'unità senza fili.
 20. Non lasciare l'unità senza fili in un'ubicazione in cui potrebbero venire generati elettricità statica o disturbi elettrici.
 21. Non lasciare l'unità senza fili in ubicazioni soggette a calore elevato, ad esempio in un'auto parcheggiata al sole.
 22. Non lasciare l'unità senza fili in ubicazioni polverose o in ubicazioni in cui potrebbero venire generati gas corrosivi.
 23. Una variazione improvvisa di temperatura potrebbe far bagnare di condensa l'unità senza fili. Non utilizzare l'unità senza fili fino alla completa asciugatura della condensa.
 24. Quando si intende pulire l'unità senza fili, passarvi sopra delicatamente un panno morbido asciutto. Non utilizzare benzina per pulizia, diluenti, grasso conduttivo o simili.
 25. Quando si intende riporre l'unità senza fili, conservarla nella custodia in dotazione o in un contenitore antistatico.
 26. Non inserire alcun dispositivo diverso dall'unità senza fili Makita nell'alloggiamento presente sull'utensile.
 27. Non utilizzare l'utensile con il coperchio dell'alloggiamento danneggiato. Qualora nell'alloggiamento penetrino acqua, polvere e sporco, potrebbero causare un malfunzionamento.
 28. Non tirare né attorcigliare il coperchio dell'alloggiamento oltre il necessario. Qualora il coperchio si stacchi dall'utensile, riapplicarlo.
 29. Qualora il coperchio dell'alloggiamento vada perso o venga danneggiato, sostituirlo.

CONSERVARE LE PRESENTI ISTRUZIONI.

DESCRIZIONE DELLE FUNZIONI

ATTENZIONE: Accertarsi sempre che l'utensile sia spento e che la cartuccia della batteria sia stata rimossa prima di regolare o di controllare il funzionamento dell'utensile.

Installazione o rimozione della cartuccia della batteria

ATTENZIONE: Spegnerne sempre l'utensile prima di installare o rimuovere la cartuccia della batteria.

ATTENZIONE: Mantenere saldamente lo strumento e la batteria quando si intende installare o rimuovere la cartuccia della batteria. Qualora non si mantengano saldamente lo strumento e la cartuccia della batteria, questi ultimi potrebbero scivolare dalle mani, con la possibilità di causare un danneggiamento dello strumento e della cartuccia della batteria, nonché una lesione personale.

Per installare la cartuccia della batteria, allineare la linguetta sulla cartuccia della batteria con la scanalatura nell'alloggiamento e farla scivolare in sede. Inserirla completamente fino al suo blocco in sede con un leggero scatto. Se è possibile vedere l'indicatore rosso, come indicato nella figura, non è bloccata completamente.

Per rimuovere la cartuccia della batteria, farla scorrere via dall'utensile mentre si fa scorrere allo stesso tempo il pulsante sulla parte anteriore della cartuccia.

► Fig.1: 1. Indicatore rosso 2. Pulsante 3. Cartuccia della batteria

ATTENZIONE: Installare sempre fino in fondo la cartuccia della batteria, fino a quando l'indicatore rosso non è più visibile. In caso contrario, la batteria potrebbe cadere accidentalmente dall'utensile, causando lesioni personali all'operatore o a chi gli è vicino.

ATTENZIONE: Non installare forzatamente la cartuccia della batteria. Qualora la batteria non si inserisca scorrendo agevolmente, vuol dire che non viene inserita correttamente.

Indicazione della carica residua della batteria

Premere il pulsante di controllo sulla cartuccia della batteria per indicare la carica residua della batteria. Gli indicatori luminosi si illuminano per alcuni secondi.

► Fig.2: 1. Indicatori luminosi 2. Pulsante di controllo

Indicatori luminosi			Carica residua
■ Illuminato	□ Spento	▬ Lampeggiante	
■ ■ ■ ■			Dal 75% al 100%
■ ■ ■ □			Dal 50% al 75%
■ ■ □ □			Dal 25% al 50%
■ □ □ □			Dallo 0% al 25%
▬ □ □ □			Caricare la batteria.
■ ■ □ □ ↑ ↓ □ □ ■ ■			La batteria potrebbe essersi guastata.

NOTA: A seconda delle condizioni d'uso e della temperatura ambiente, l'indicazione potrebbe variare leggermente rispetto alla carica effettiva.

NOTA: Il primo indicatore luminoso (all'estremità sinistra) lampeggia quando il sistema di protezione della batteria è in funzione.

Funzionamento dell'interruttore

ATTENZIONE: Evitare di accendere l'utensile mentre è appoggiato sul pezzo in lavorazione o sul banco da lavoro utilizzato. In caso contrario, si potrebbero causare lesioni personali o danni alle cose.

Accensione e spegnimento dell'utensile

Per avviare l'utensile, premere il pulsante di accensione.

Per arrestare l'utensile, premere di nuovo il pulsante di accensione.

► Fig.3: 1. Pulsante di accensione

Selettore di regolazione della velocità

AVVISO: Qualora l'utensile venga fatto funzionare in maniera continuativa a basse velocità per un periodo di tempo prolungato, il motore si sovraccarica, causando il malfunzionamento dell'utensile.

AVVISO: È possibile ruotare il selettore di regolazione della velocità solo fino a 5 e indietro fino a 1. Non forzare il selettore oltre il numero 5 o il numero 1; in caso contrario, la funzione di regolazione della velocità potrebbe non essere più utilizzabile.

È possibile modificare la velocità di rotazione ruotando il selettore di regolazione della velocità. Si ottiene una maggiore velocità quando il selettore viene ruotato in

direzione del numero 5. Si ottiene una minore velocità quando viene ruotato in direzione del numero 1. Per il rapporto tra le impostazioni numeriche sul selettore e la velocità di rotazione approssimativa, fare riferimento alla tabella.

Numero	Orbite (giri) al minuto
1	6.000
2	6.500
3	8.000
4	9.500
5	10.000

► Fig.4: 1. Selettore di regolazione della velocità

Funzione elettronica

L'utensile è dotato della funzione o delle funzioni elettroniche seguenti, per un facile utilizzo.

Funzione di avvio morbido

La funzione di avvio morbido riduce lo scuotimento all'avvio.

Controllo della velocità costante

Controllo elettronico della velocità per ottenere una velocità costante.

Questa funzione consente una finitura precisa, poiché la velocità dell'utensile resta costante anche sotto carico.

Freno elettrico

Il freno elettrico arresta rapidamente l'utensile, per la sicurezza e la comodità d'uso.

Funzione di prevenzione del riavvio accidentale

Quando una qualsiasi fonte di alimentazione (ad es. la cartuccia della batteria, e così via) viene collegata all'utensile mentre si tiene premuto il pulsante di accensione, l'utensile non si avvia.

Per avviare l'utensile, premere di nuovo il pulsante di accensione.

Sistema di protezione strumento/batteria

L'utensile è dotato di un sistema di protezione dell'utensile stesso e della batteria. Tale sistema interrompe automaticamente l'alimentazione al motore per prolungare la vita utile dell'utensile e della batteria. L'utensile si arresta automaticamente durante il funzionamento, qualora l'utensile o la batteria vengano a trovarsi in una delle condizioni seguenti:

Protezione dal sovraccarico

Quando l'utensile o la batteria vengono fatti funzionare in un modo che causi un assorbimento di corrente elevato in modo anomalo, l'utensile si arresta automaticamente senza alcuna indicazione. In questa circostanza, spegnere l'utensile e interrompere l'applicazione che ha causato il sovraccarico dell'utensile. Quindi, accendere

l'utensile per ricominciare.

Protezione dal surriscaldamento

Quando l'utensile o la batteria sono surriscaldati, l'utensile si arresta automaticamente. In questo caso, lasciar raffreddare l'utensile e la batteria prima di riaccendere l'utensile.

Protezione dalla sovrascarica

Quando la carica della batteria non è sufficiente, l'utensile si arresta automaticamente. In tal caso, rimuovere la batteria dall'utensile e caricarla.

Protezione da altre cause

Il sistema di protezione è progettato anche per altre cause che potrebbero danneggiare l'utensile, e consente all'utensile di arrestarsi automaticamente. Adottare tutte le misure seguenti per rimuovere le cause, quando l'utensile è stato portato a un'interruzione temporanea o a un arresto del funzionamento.

1. Accertarsi che tutti gli interruttori siano nella posizione di spegnimento, quindi riaccendere l'utensile per ricominciare.
2. Caricare la batteria o le batterie, o sostituirla/sostituirele con una batteria o delle batterie ricaricate.
3. Lasciar raffreddare l'utensile e la batteria o le batterie.

Qualora non si riscontri alcun miglioramento ripristinando il sistema di protezione, contattare il proprio centro di assistenza locale Makita.

MONTAGGIO

ATTENZIONE: Accertarsi sempre che l'utensile sia spento e che la cartuccia della batteria sia stata rimossa, prima di effettuare qualsiasi intervento sull'utensile.

Installazione o rimozione del salvaplatorello

Il salvaplatorello evita l'usura del velcro sul platorello.

1. Per installare il salvaplatorello, rimuovere qualsiasi traccia di sporco e corpi estranei dal platorello.
2. Montare il salvaplatorello sul platorello, allineando i fori di aspirazione delle polveri sul salvaplatorello con quelli sul platorello.

► **Fig.5:** 1. Salvaplatorello 2. Platorello 3. Fori di aspirazione delle polveri

Quando il velcro sul salvaplatorello si usura, rimuovere il salvaplatorello e installarne uno nuovo.

Per rimuovere il salvaplatorello, staccare il salvaplatorello a partire dal bordo.

Installazione o rimozione della carta abrasiva

ATTENZIONE: Accertarsi che la carta abrasiva sia installata saldamente prima dell'uso. In caso contrario, la carta abrasiva potrebbe venire rimossa facilmente, causando lo scivolamento e risultando in un'operazione di levigatura disomogenea.

ATTENZIONE: Accertarsi che il platorello sia installato correttamente e saldamente. Un montaggio allentato causa il funzionamento sbilanciato e una vibrazione eccessiva, risultando nella perdita di controllo.

ATTENZIONE: Accertarsi che un platorello, un salvaplatorello e della carta abrasiva siano allineati e montati assieme.

ATTENZIONE: Utilizzare esclusivamente carte abrasive. Non utilizzare mai carte abrasive sensibili alla pressione.

NOTA: È anche possibile attaccare direttamente la carta abrasiva al platorello.

1. Rimuovere qualsiasi traccia di sporco e corpi estranei dal salvaplatorello.
 2. Montare un foglio abrasivo sul salvaplatorello.
 - Per i fogli abrasivi di tipo cartaceo con fori per l'aspirazione delle polveri, allineare i fori per l'aspirazione delle polveri nella carta con quelli nel salvaplatorello.
 - Per i fogli abrasivi di tipo a rete, allineare la forma esterna con il salvaplatorello.
- **Fig.6:** 1. Foglio abrasivo 2. Salvaplatorello 3. Fori di aspirazione delle polveri

Per rimuovere il foglio abrasivo, staccarlo dal bordo mentre si tiene fermo il salvaplatorello, per evitare che quest'ultimo venga staccato assieme.

Protezione

Quando si lavora in prossimità di una parete, la protezione evita che il platorello, il corpo dell'utensile e la parete stessa vengano danneggiati.

► **Fig.7:** 1. Protezione

Per installare la protezione, allineare la linguetta della protezione con la scanalatura, quindi spingere verso l'interno la protezione.

Per rimuovere la protezione, tirarla in avanti mentre si aprono gli agganci.

► **Fig.8:** 1. Protezione 2. Scanalatura 3. Aggancio

Installazione e rimozione del sacchetto per le polveri

Montare il gruppo sacchetto per le polveri sul beccuccio di scarico delle polveri presente sull'estremità posteriore dell'alloggiamento del motore. Inserire completamente la bocchetta di entrata delle polveri sul beccuccio di scarico delle polveri, fino a quando si blocca in sede. Per rimuovere il gruppo sacchetto per le polveri, afferrare e tirare il cappuccio delle polveri.

► **Fig.9:** 1. Beccuccio di scarico delle polveri 2. Presa di entrata delle polveri 3. Cappuccio delle

AVVISO: Non afferrare il sacchetto per le polveri, quando si intende trasportare l'utensile. In caso contrario, l'utensile potrebbe cadere e venire danneggiato.

Smaltimento delle polveri

Per assicurare una raccolta ottimale delle polveri, svuotare il sacchetto per le polveri quando si è riempito fino a circa la metà della sua capacità.

1. Rimuovere il sacchetto per le polveri dal cappuccio delle polveri, mentre si tengono premuti entrambi i pulsanti.

2. Dare dei leggeri colpetti sul fondo del sacchetto per le polveri per svuotarlo.

► **Fig.10:** 1. Sacchetto per le polveri 2. Cappuccio delle polveri 3. Pulsante

Collegamento con un aspirapolvere

Quando si desidera eseguire operazioni di levigatura pulite, collegare un aspirapolvere Makita all'utensile.

AVVISO: Quando si intende utilizzare l'utensile con un aspirapolvere spalleggiato, utilizzare sempre il maniccotto anteriore (fornito in dotazione con l'utensile). In tal modo, si riduce l'elettricità statica.

1. Rimuovere l'altro manicotto dal tubo flessibile, qualora sia montato.

2. Avvitare il manicotto anteriore fornito in dotazione con l'utensile sul tubo flessibile. Accertarsi che il manicotto anteriore sia avvitato saldamente nel tubo flessibile.

► **Fig.11:** 1. Maniccotto anteriore (fornito in dotazione con l'utensile) 2. Tubo flessibile 3. Aspirapolvere 4. Altro manicotto

3. Montare il manicotto anteriore sul beccuccio di scarico delle polveri dell'utensile.

Inserire completamente il manicotto anteriore sul beccuccio di scarico delle polveri, quindi ruotare il manicotto anteriore serrandolo nella direzione della freccia, come indicato nella figura.

► **Fig.12:** 1. Beccuccio di scarico delle polveri 2. Maniccotto anteriore (fornito in dotazione con l'utensile)

Per un aspirapolvere che non sia di tipo spalleggiato

È possibile collegare il tubo flessibile anche con il manicotto anteriore 22 e il manicotto anteriore 24. Il manicotto anteriore 22 e il manicotto anteriore 24 sono accessori opzionali o forniti in dotazione con l'aspirapolvere.

► **Fig.13:** 1. Maniccotto anteriore 22 (accessorio opzionale o fornito in dotazione con l'aspirapolvere) 2. Maniccotto anteriore 24 (accessorio opzionale o fornito in dotazione con l'aspirapolvere)

Installazione o rimozione dell'alimentatore a batteria

AVVISO: Accertarsi che non vi sia alcun accumulo di polveri nel punto di collegamento tra l'utensile e l'alimentatore a batteria. L'accumulo di polveri potrebbe causare un malfunzionamento.

1. Per installare l'alimentatore a batteria, allineare il simbolo della freccia sull'alimentatore a batteria con quello sull'utensile.

2. Inserire completamente l'alimentatore a batteria, fino a quando si innesta in sede con un piccolo scatto.

► **Fig.14:** 1. Utensile 2. Alimentatore a batteria 3. Simbolo della freccia

Per rimuovere l'alimentatore a batteria, far scorrere via l'alimentatore a batteria mentre si tengono premuti entrambi i pulsanti.

► **Fig.15:** 1. Pulsante

Configurazione dell'alimentatore a batteria

ATTENZIONE: Non far funzionare l'utensile qualora il cavo di collegamento sia danneggiato.

AVVISO: Non sottoporre a usi impropri il cavo di collegamento. Non trasportare l'utensile tirando il cavo di collegamento. Tenere il cavo di collegamento lontano da fonti di calore, olio o bordi affilati. In caso contrario, il cavo di collegamento potrebbe danneggiarsi.

Appendere l'adattatore per batteria alla cintura.

Il portacavo aiuta a gestire il cavo. Se necessario, fissare il portacavo con una vite sul lato destro o sinistro dell'alimentatore a batteria.

► **Fig.16:** 1. Portacavo

Fascia per il braccio

La fascia per il braccio è comoda per la gestione del cavo elettrico.

1. Applicare la fascia per il braccio su quest'ultimo, quindi regolare la lunghezza della fascia per il braccio.

2. Premere il cavo di collegamento per farlo entrare attraverso l'apertura del supporto.

► **Fig.17:** 1. Fascia per il braccio 2. Supporto con l'apertura

ATTENZIONE: Non forzare l'apertura del supporto. La mancata osservanza di questa indicazione potrebbe causarne la distorsione e il danneggiamento.

Fascetta per il tubo flessibile

In dotazione con l'alimentatore a batteria con cavo da 5 m (accessorio opzionale)

Quando si utilizza l'aspirapolvere collegato all'utensile, è possibile utilizzare la fascetta stringitubo per mantenere il cavo elettrico e il tubo flessibile, per evitare che si aggroviglino.

Mantenere il cavo elettrico e il tubo flessibile con la fascetta stringitubo a intervalli di circa 1 m, come indicato nella figura.

- **Fig.18:** 1. Fascetta stringitubo 2. Cavo elettrico
3. Tubo flessibile 4. Circa 1 m

FUNZIONAMENTO

Operazione di smerigliatura

⚠ATTENZIONE: Accertarsi sempre che il pezzo in lavorazione sia fissato saldamente.

⚠ATTENZIONE: Quando si lavora con polveri eccessive, indossare una mascherina antipolveri.

⚠ATTENZIONE: Non toccare la carta abrasiva mentre è in rotazione. La mancata osservanza di questa indicazione potrebbe causare lesioni personali.

AVVISO: Non far funzionare mai l'utensile senza la carta abrasiva. In caso contrario, si potrebbe danneggiare seriamente il salvaplatorello o il platorello.

AVVISO: Non forzare mai l'utensile. Una pressione eccessiva potrebbe ridurre l'efficienza della smerigliatura, danneggiare la carta abrasiva e/o ridurre la vita utile dell'utensile.

AVVISO: Non utilizzare l'utensile per la lucidatura. Non montare un accessorio di lucidatura, ad esempio una spugna, sull'utensile. In caso contrario, potrebbe verificarsi un malfunzionamento.

Mantenere saldamente l'utensile. Accendere l'utensile e attendere che raggiunga la velocità regolata. Quindi, appoggiare delicatamente l'utensile sulla superficie del pezzo in lavorazione. Mantenere il platorello a raso sul pezzo in lavorazione, e non premere con forza sull'utensile.

- **Fig.19**

Funzionamento con l'imbracatura

Accessorio opzionale

L'imbracatura consente il funzionamento mentre si trasporta l'alimentatore a batteria sulla schiena. È possibile agganciare il moschettone all'imbracatura. È possibile agganciare l'utensile al moschettone utilizzando il gancio. Per l'installazione del gancio, fare riferimento a "Installazione del gancio".

- **Fig.20:** 1. Imbracatura 2. Moschettone

Funzionamento con la copertura di protezione

Accessorio opzionale

AVVISO: Prima di scegliere la copertura di protezione, accertarsi che quest'ultima sia compatibile con l'aspirapolvere spalleggiato utilizzato. È possibile montare la copertura di protezione solo su modelli specifici di aspirapolveri spalleggiati.

Esempi di modelli compatibili:

- VC008G / GCV05
- VC009G / GCV06

Una parte degli esempi è indicata sopra. Per i dettagli, chiedere al nostro centro di assistenza se l'aspirapolvere spalleggiato utilizzato sia compatibile o meno con la copertura di protezione.

La copertura di protezione protegge l'aspirapolvere spalleggiato e l'alimentatore a batteria, e consente il funzionamento mentre si trasporta l'aspirapolvere spalleggiato assieme all'alimentatore a batteria sulla schiena.

1. Rimuovere le viti che fissano l'imbracatura dell'aspirapolvere spalleggiato.

- **Fig.21:** 1. Aspirapolvere spalleggiato 2. Imbracatura dell'aspirapolvere spalleggiato 3. Vite

2. Avvolgere l'aspirapolvere spalleggiato con la copertura di protezione (per l'aspirapolvere spalleggiato).

- **Fig.22:** 1. Copertura di protezione (per l'aspirapolvere spalleggiato)

3. Fissare l'imbracatura dell'aspirapolvere spalleggiato serrando le viti.

- **Fig.23**

4. Conservare le batterie dell'alimentatore a batteria nella copertura di protezione (per l'alimentatore a batteria), quindi agganciare la copertura di protezione (per l'alimentatore a batteria) sull'imbracatura, come indicato nella figura.

- **Fig.24:** 1. Copertura di protezione (per l'alimentatore a batteria)

5. È possibile agganciare il moschettone all'imbracatura. È possibile agganciare l'utensile al moschettone utilizzando il gancio. Per l'installazione del gancio, fare riferimento a "Installazione del gancio".

- **Fig.25:** 1. Copertura di protezione (per l'alimentatore a batteria) 2. Copertura di protezione (per l'aspirapolvere spalleggiato)
3. Moschettone

Installazione del gancio

⚠AVVERTIMENTO: Utilizzare le parti di sospensione o di montaggio esclusivamente per gli scopi a cui sono destinate, ad es. appendere l'utensile a una cintura portautensili tra un lavoro e l'altro o negli intervalli di lavoro.

⚠AVVERTIMENTO: Fare attenzione a non sovraccaricare il gancio con forza eccessiva. In caso contrario, un sovraccarico irregolare potrebbe causare danni all'utensile, con conseguenti lesioni personali.

⚠ATTENZIONE: Quando si intende installare il gancio, fissarlo sempre saldamente con la vite. In caso contrario, il gancio potrebbe staccarsi dall'utensile e causare lesioni personali.

⚠ATTENZIONE: Accertarsi di appendere saldamente l'utensile prima di lasciare la presa. Un aggancio insufficiente o sbilanciato potrebbe causare una caduta, e l'utilizzatore potrebbe subire lesioni personali.

⚠ATTENZIONE: Utilizzare un moschettone che abbia una resistenza sufficiente. In caso contrario, il moschettone potrebbe rompersi e causare lesioni personali.

È possibile agganciare l'utensile al moschettone utilizzando il gancio.

► **Fig.26:** 1. Gancio 2. Moschettone

È possibile installare il gancio su entrambi i lati dell'utensile. Per installare il gancio, inserirlo nel foro sull'utensile, quindi fissarlo con una vite. Per rimuoverlo, allentare la vite e quindi estrarlo.

► **Fig.27:** 1. Foro 2. Gancio 3. Vite

FUNZIONE DI ATTIVAZIONE DELLA COMUNICAZIONE SENZA FILI

Cosa si può fare con la funzione di attivazione della comunicazione senza fili

La funzione di attivazione della comunicazione senza fili consente un funzionamento pulito e comodo. Collegando un aspirapolvere supportato all'utensile, è possibile far funzionare automaticamente l'aspirapolvere insieme all'attivazione dell'interruttore dell'utensile.

► **Fig.28**

Per utilizzare la funzione di attivazione della comunicazione senza fili, preparare gli elementi seguenti:

- Un'unità senza fili (accessorio opzionale)
- Un aspirapolvere che supporti la funzione di attivazione della comunicazione senza fili

L'impostazione della funzione di attivazione della comunicazione senza fili è riepiologata di seguito. Per le procedure dettagliate, consultare ciascuna sezione.

1. Installazione dell'unità senza fili
2. Registrazione dell'utensile per l'aspirapolvere
3. Avvio della funzione di attivazione della comunicazione senza fili

Installazione dell'unità senza fili

Accessorio opzionale

⚠ATTENZIONE: Posizionare l'utensile su una superficie piana e stabile, quando si intende installare l'unità senza fili.

AVVISO: Pulire la polvere e lo sporco sull'utensile prima di installare l'unità senza fili. La polvere o lo sporco potrebbero causare un malfunzionamento, qualora penetrino nell'alloggiamento dell'unità senza fili.

AVVISO: Per evitare il malfunzionamento causato dall'elettricità statica, toccare un materiale per scaricarla, ad esempio una parte metallica dell'utensile, prima di prendere in mano l'unità senza fili.

AVVISO: Quando si installa l'unità senza fili, accertarsi sempre che quest'ultima sia inserita nella direzione corretta e che il coperchio sia completamente chiuso.

1. Aprire il coperchio sull'utensile come indicato nella figura.

► **Fig.29:** 1. Coperchio

2. Inserire l'unità senza fili nell'alloggiamento, quindi chiudere il coperchio.

Quando si inserisce l'unità senza fili, allineare le sporgenze con le rientranze presenti nell'alloggiamento.

► **Fig.30:** 1. Unità senza fili 2. Sporgenza 3. Coperchio 4. Rientranza

Quando si intende rimuovere l'unità senza fili, aprire lentamente il coperchio. I ganci sul retro del coperchio sollevano l'unità senza fili mentre si tira su il coperchio.

► **Fig.31:** 1. Unità senza fili 2. Gancio 3. Coperchio

Dopo aver rimosso l'unità senza fili, conservarla nella custodia in dotazione o in un contenitore antistatico.

AVVISO: Utilizzare sempre i ganci sul retro del coperchio quando si intende rimuovere l'unità senza fili. Qualora i ganci non si inseriscano nell'unità senza fili, chiudere completamente il coperchio e riaprirlo lentamente.

Registrazione dell'utensile per l'aspirapolvere

NOTA: È richiesto un aspirapolvere Makita che supporti la funzione di attivazione della comunicazione senza fili per la registrazione dell'utensile.

NOTA: Completare l'installazione dell'unità senza fili nello strumento prima di avviare la registrazione dell'utensile.

NOTA: Durante la registrazione dell'utensile, non premere l'interruttore a grilletto né attivare l'interruttore di accensione sull'aspirapolvere.

NOTA: Fare riferimento anche al manuale d'uso dell'aspirapolvere.

Se si desidera attivare l'aspirapolvere insieme all'attivazione dell'interruttore dell'utensile, completare anticipatamente la registrazione dell'utensile.

1. Installare le batterie nell'aspirapolvere e nell'utensile.
2. Impostare il commutatore di standby sull'aspirapolvere su "AUTO".

► **Fig.32:** 1. Commutatore di standby

3. Premere il pulsante di attivazione della comunicazione senza fili sull'aspirapolvere per 3 secondi, fino a quando l'indicatore luminoso di attivazione della comunicazione senza fili lampeggia in verde. Quindi, premere il pulsante di attivazione della comunicazione senza fili sull'utensile in modo analogo.

► **Fig.33:** 1. Pulsante di attivazione della comunicazione senza fili 2. Indicatore luminoso di attivazione della comunicazione senza fili

Se l'aspirapolvere e l'utensile sono collegati con esito positivo, gli indicatori luminosi di attivazione della comunicazione senza fili si illuminano in verde per 2 secondi, quindi iniziano a lampeggiare in blu.

NOTA: Gli indicatori luminosi di attivazione della comunicazione senza fili smettono di lampeggiare in verde dopo 20 secondi. Premere il pulsante di attivazione della comunicazione senza fili sull'utensile mentre l'indicatore luminoso di attivazione della comunicazione senza fili sull'aspiratore sta lampeggiando. Qualora l'indicatore luminoso di attivazione della comunicazione senza fili non lampeggia in verde, premere brevemente e tenere premuto di nuovo il pulsante di attivazione della comunicazione senza fili.

NOTA: Quando si intende effettuare due o più registrazioni di utensili per un unico aspirapolvere, completare la registrazione degli utensili uno alla volta.

Avvio della funzione di attivazione della comunicazione senza fili

NOTA: Completare la registrazione dell'utensile per l'aspirapolvere prima dell'attivazione della comunicazione senza fili.

NOTA: Fare riferimento anche al manuale d'uso dell'aspirapolvere.

Dopo aver registrato un utensile sull'aspirapolvere, quest'ultimo entra in funzione automaticamente insieme all'attivazione dell'interruttore dell'utensile.

1. Installare l'unità senza fili sull'utensile.
2. Collegare il tubo flessibile dell'aspirapolvere all'utensile.

► **Fig.34**

3. Impostare il commutatore di standby sull'aspirapolvere su "AUTO".

► **Fig.35:** 1. Commutatore di standby

4. Premere brevemente il pulsante di attivazione della comunicazione senza fili sull'utensile. L'indicatore luminoso di attivazione della comunicazione senza fili lampeggia in blu.

► **Fig.36:** 1. Pulsante di attivazione della comunicazione senza fili 2. Indicatore luminoso di attivazione della comunicazione senza fili

5. Accendere l'utensile. Verificare se l'aspirapolvere sia in funzione quando l'utensile sta funzionando.

Per interrompere l'attivazione della comunicazione senza fili dell'aspirapolvere, premere il pulsante di attivazione della comunicazione senza fili sull'utensile.

NOTA: L'indicatore luminoso di attivazione della comunicazione senza fili sull'utensile smette di lampeggiare in blu quando non viene effettuata alcuna operazione per 2 ore. In questo caso, impostare il commutatore di standby sull'aspirapolvere su "AUTO" e premere di nuovo il pulsante di attivazione della comunicazione senza fili sull'utensile.

NOTA: L'aspirapolvere si avvia o si arresta con un ritardo. Si verifica un ritardo temporale quando l'aspirapolvere rileva un'attivazione dell'interruttore sull'utensile.










NOTA: La distanza di trasmissione dell'unità senza fili può variare a seconda dell'ubicazione e della situazione circostante.

NOTA: Quando due o più utensili sono registrati su un unico aspirapolvere, quest'ultimo potrebbe iniziare a funzionare anche se non si accende l'utensile, in quanto un altro utente sta utilizzando la funzione di attivazione della comunicazione senza fili.

Descrizione dello stato dell'indicatore luminoso di attivazione della comunicazione senza fili

► **Fig.37:** 1. Indicatore luminoso di attivazione della comunicazione senza fili

L'indicatore luminoso di attivazione della comunicazione senza fili mostra lo stato della funzione di attivazione della comunicazione senza fili. Per informazioni sul significato dello stato dell'indicatore luminoso, fare riferimento alla tabella seguente.

Stato	Indicatore luminoso di attivazione della comunicazione senza fili				Descrizione
	Colore	 Acceso	 Lampeggiante	Durata	
Standby	Blu		2 ore	È disponibile l'attivazione della funzione di comunicazione senza fili dell'aspirapolvere. L'indicatore luminoso si spegne automaticamente quando non viene eseguita alcuna operazione per 2 ore.	
			Quando l'utensile è in funzione.	È disponibile l'attivazione della funzione di comunicazione senza fili dell'aspirapolvere e l'utensile è in funzione.	
Registrazione dell'utensile	Verde		20 secondi	Pronto alla registrazione dell'utensile. In attesa della registrazione da parte dell'aspirapolvere.	
			2 secondi	La registrazione dell'utensile è stata completata. L'indicatore luminoso di attivazione della comunicazione senza fili inizia a lampeggiare in blu.	
Annullamento della registrazione dell'utensile	Rosso		20 secondi	Pronto alla cancellazione della registrazione dell'utensile. In attesa della cancellazione da parte dell'aspirapolvere.	
			2 secondi	La cancellazione della registrazione dell'utensile è stata completata. L'indicatore luminoso di attivazione della comunicazione senza fili inizia a lampeggiare in blu.	
Altro	Rosso		3 secondi	L'alimentazione è fornita all'unità senza fili e la funzione di attivazione della comunicazione senza fili si sta avviando.	
	Spento	-	-	L'attivazione della funzione di comunicazione senza fili dell'aspirapolvere è stata arrestata.	

Annullamento della registrazione dell'utensile per l'aspirapolvere

Quando si intende annullare la registrazione dell'utensile per l'aspirapolvere, attenersi alla procedura seguente.

1. Installare le batterie nell'aspirapolvere e nell'utensile.
2. Impostare il commutatore di standby sull'aspirapolvere su "AUTO".

► **Fig.38:** 1. Commutatore di standby

3. Premere il pulsante di attivazione della comunicazione senza fili sull'aspirapolvere per 6 secondi. L'indicatore luminoso di attivazione della comunicazione senza fili lampeggia in verde, quindi diventa rosso. Dopodiché, premere il pulsante di attivazione della comunicazione senza fili sull'utensile in modo

analogo.

► **Fig.39:** 1. Pulsante di attivazione della comunicazione senza fili 2. Indicatore luminoso di attivazione della comunicazione senza fili

Se l'annullamento è stato eseguito con esito positivo, gli indicatori luminosi di attivazione della comunicazione senza fili si illuminano in rosso per 2 secondi, quindi iniziano a lampeggiare in blu.

NOTA: Gli indicatori luminosi di attivazione della comunicazione senza fili smettono di lampeggiare in rosso dopo 20 secondi. Premere il pulsante di attivazione della comunicazione senza fili sull'utensile mentre l'indicatore luminoso di attivazione della comunicazione senza fili sull'aspiratore sta lampeggiando. Qualora l'indicatore luminoso di attivazione della comunicazione senza fili non lampeggi in rosso, premere brevemente e tenere premuto di nuovo il pulsante di attivazione della comunicazione senza fili.

Risoluzione dei problemi per la funzione di attivazione della comunicazione senza fili

Prima di richiedere riparazioni, eseguire un'ispezione personalmente. Qualora si rilevi un problema che non è illustrato nel manuale, non tentare di smontare l'utensile. Rivolgersi, invece, a un centro di assistenza autorizzato Makita, utilizzando sempre pezzi di ricambio Makita per le riparazioni.

Stato di anomalia	Causa probabile (guasto)	Azione correttiva
L'indicatore luminoso di attivazione della comunicazione senza fili non si illumina o non lampeggia.	L'unità senza fili non è installata nell'utensile. L'unità senza fili è installata in modo errato nell'utensile.	Installare l'unità senza fili correttamente.
	Il terminale dell'unità senza fili e/o l'alloggiamento sono sporchi.	Asportare delicatamente polvere e sporco presenti sul terminale dell'unità senza fili e pulire l'alloggiamento.
	Il pulsante di attivazione della comunicazione senza fili sull'utensile non è stato premuto.	Premere brevemente il pulsante di attivazione della comunicazione senza fili sull'utensile.
	Il commutatore di standby sull'aspirapolvere non è impostato su "AUTO".	Impostare il commutatore di standby sull'aspirapolvere su "AUTO".
	Alimentazione assente	Fornire l'alimentazione all'utensile e all'aspirapolvere.
Impossibile completare con esito positivo la registrazione dell'utensile o l'annullamento della registrazione dell'utensile.	L'unità senza fili non è installata nell'utensile. L'unità senza fili è installata in modo errato nell'utensile.	Installare l'unità senza fili correttamente.
	Il terminale dell'unità senza fili e/o l'alloggiamento sono sporchi.	Asportare delicatamente polvere e sporco presenti sul terminale dell'unità senza fili e pulire l'alloggiamento.
	Il commutatore di standby sull'aspirapolvere non è impostato su "AUTO".	Impostare il commutatore di standby sull'aspirapolvere su "AUTO".
	Alimentazione assente	Fornire l'alimentazione all'utensile e all'aspirapolvere.
	Funzionamento errato	Premere brevemente il pulsante di attivazione della comunicazione senza fili ed eseguire di nuovo la procedura di registrazione o di annullamento dell'utensile.
	L'utensile e l'aspirapolvere sono lontani l'uno dall'altro (fuori dalla portata di trasmissione).	Avvicinare l'utensile e l'aspirapolvere tra di loro. La distanza massima di trasmissione è di circa 10 m, ma può variare in base alle circostanze.
	Prima di completare la registrazione o l'annullamento dell'utensile: - l'interruttore dell'utensile è attivato, oppure; - il pulsante di accensione sull'aspirapolvere è attivato.	Premere brevemente il pulsante di attivazione della comunicazione senza fili ed eseguire di nuovo la procedura di registrazione o di annullamento dell'utensile.
	Le procedure di registrazione per l'utensile o per l'aspirapolvere non sono state completate.	Eseguire le procedure di registrazione dell'utensile sia per l'utensile che per l'aspirapolvere allo stesso tempo.
	Sono presenti disturbi radio dovuti ad altri apparecchi che generano onde radio ad alta intensità.	Tenere l'utensile e l'aspirapolvere lontani da apparecchi quali dispositivi Wi-Fi e forni a microonde.

Stato di anomalia	Causa probabile (guasto)	Azione correttiva
L'aspirapolvere non entra in funzione insieme all'attivazione dell'interruttore dell'utensile.	L'unità senza fili non è installata nell'utensile. L'unità senza fili è installata in modo errato nell'utensile.	Installare l'unità senza fili correttamente.
	Il terminale dell'unità senza fili e/o l'alloggiamento sono sporchi.	Asportare delicatamente polvere e sporco presenti sul terminale dell'unità senza fili e pulire l'alloggiamento.
	Il pulsante di attivazione della comunicazione senza fili sull'utensile non è stato premuto.	Premere brevemente il pulsante di attivazione della comunicazione senza fili e accertarsi che l'indicatore luminoso di attivazione della comunicazione senza fili stia lampeggiando in blu.
	Il commutatore di standby sull'aspirapolvere non è impostato su "AUTO".	Impostare il commutatore di standby sull'aspirapolvere su "AUTO".
	Sull'aspirapolvere sono registrati più di 10 utensili.	Effettuare di nuovo la registrazione dell'utensile. Qualora sull'aspirapolvere siano registrati più di 10 utensili, l'utensile registrato per primo viene annullato automaticamente.
	L'aspirapolvere ha cancellato tutte le registrazioni degli utensili.	Effettuare di nuovo la registrazione dell'utensile.
	Alimentazione assente	Fornire l'alimentazione all'utensile e all'aspirapolvere.
	L'utensile e l'aspirapolvere sono lontani l'uno dall'altro (fuori dalla portata di trasmissione).	Avvicinare l'utensile e l'aspirapolvere tra di loro. La distanza massima di trasmissione è di circa 10 m, ma può variare in base alle circostanze.
	Sono presenti disturbi radio dovuti ad altri apparecchi che generano onde radio ad alta intensità.	Tenere l'utensile e l'aspirapolvere lontani da apparecchi quali dispositivi Wi-Fi e forni a microonde.
L'aspirapolvere è in funzione mentre l'utensile non sta funzionando.	Altri utenti stanno utilizzando l'attivazione della comunicazione senza fili dell'aspirapolvere con i loro utensili.	Disattivare il pulsante di attivazione della comunicazione senza fili degli altri utensili oppure annullare la registrazione degli altri utensili.

MANUTENZIONE

ATTENZIONE: Accertarsi sempre che l'utensile sia spento e che la cartuccia della batteria sia stata rimossa prima di tentare di eseguire interventi di ispezione o manutenzione.

AVVISO: Non utilizzare mai benzina, benzene, solventi, alcol o altre sostanze simili. In caso contrario, si potrebbero causare scolorimenti, deformazioni o crepe.

Per preservare la SICUREZZA e l'AFFIDABILITÀ del prodotto, le riparazioni e qualsiasi altro intervento di manutenzione e di regolazione devono essere eseguiti da un centro di assistenza autorizzato Makita, utilizzando sempre ricambi Makita.

Dopo l'uso

Pulire l'utensile passandovi sopra un panno asciutto o un panno leggermente inumidito con acqua saponata ad intervalli regolari.

Sostituzione del platorello

Sostituire il platorello nei casi seguenti.

- Quando il dispositivo di fissaggio in velcro sul platorello si usura.
 - Quando si desidera cambiare il platorello da quello rettangolare a quello a delta, o viceversa.
1. Allentare e rimuovere dall'utensile le viti che

fissano il platorello e la base.

► **Fig.40:** 1. Vite 2. Platorello 3. Base

2. Sostituire il platorello e la base correnti con un altro platorello e un'altra base.
3. Quindi, serrare di nuovo saldamente le viti per fissare il platorello.

ACCESSORI OPZIONALI

ATTENZIONE: Questi accessori o componenti aggiuntivi sono consigliati per l'uso con l'utensile Makita specificato nel presente manuale. L'impiego di altri accessori o componenti aggiuntivi può costituire un rischio di lesioni alle persone. Utilizzare gli accessori o i componenti aggiuntivi solo per il loro scopo prefissato.

Per ottenere ulteriori dettagli relativamente a questi accessori, rivolgersi a un centro di assistenza Makita.

- Carta abrasiva (con velcro)
- Salvaplatorello
- Platorello rettangolare
- Platorello a delta
- Sacchetto per le polveri
- Imbracatura
- Copertura di protezione
- Alimentatore a batteria
- Unità senza fili

- Batteria e caricabatterie originali Makita

NOTA: Alcuni articoli nell'elenco potrebbero essere inclusi nell'imballaggio dell'utensile come accessori standard. Tali articoli potrebbero variare da nazione a nazione.

TECHNISCHE GEGEVENS

Model:		BO005CG	BO006CG
Standaard uitgerust steunblok		Rechthoekig steunblok	Deltasteunblok
Schuurpapier	Voor rechthoekig steunblok	80 mm x 130 mm	
	Voor deltasteunblok	100 mm x 150 mm	
Omwentelingen per minuut		6.000 - 10.000 min ⁻¹	
Diameter omwenteling		3,0 mm	
Totale lengte		236 mm	263 mm
Nominale spanning		Max. 36 V - 40 V gelijkspanning	
Nettogewicht* ¹		0,93 kg	

- In verband met ononderbroken research en ontwikkeling, behouden wij ons het recht voor de bovenstaande technische gegevens zonder voorafgaande kennisgeving te wijzigen.
- De technische gegevens kunnen van land tot land verschillen.
- Het gewicht volgens EPTA-procedure 01/2014 wordt aangegeven in de tabel.

*1: Gewicht zonder enige accessoires of accu('s)

Toepasselijke accu's en laders

Accu	BL4020* / BL4025* / BL4040* / BL4040F* / BL4050F / BL4080F * : Aanbevolen accu
Lader	DC40RA / DC40RB / DC40RC / DC40WA

- Sommige van de hierboven vermelde accu's en laders zijn mogelijk niet leverbaar afhankelijk van waar u woont.

⚠ WAARSCHUWING: Gebruik uitsluitend de accu's en laders die hierboven worden genoemd. Gebruik van enige andere accu of lader kan leiden tot letsel en/of brand.





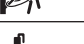
Aanbevolen bekabelde voedingsbron

Draagbare voedingseenheid	PDC01 / PDC1200 / PDC1500
---------------------------	---------------------------

- De hierboven vermelde bekabelde voedingsbron(nen) is/zijn mogelijk niet leverbaar afhankelijk van waar u woont.
- Alvorens de bekabelde voedingsbron te gebruiken, leest u de instructies en waarschuwingsopchriften erop.

Symbolen

Hieronder staan de symbolen die voor het gereedschap kunnen worden gebruikt. Zorg ervoor dat u de betekenis ervan kent voordat u het gereedschap gaat gebruiken.

	Lees de gebruiksaanwijzing.
	Draag oogbescherming.
	Wees vooral voorzichtig en let goed op.
	Om de kans op letsel te verkleinen, houdt u de kabel uit de buurt van obstakels.
	Behandel het snoer voorzichtig. Een beschadigd snoer verhoogt het risico van letsel.



Alleen voor EU-landen
Als gevolg van de aanwezigheid van schadelijke componenten in het apparaat, kunnen oude elektrische en elektronische apparaten, accu's en batterijen negatieve gevolgen hebben voor het milieu en de gezondheid van mensen.

Gooi elektrische en elektronische apparaten en accu's niet met het huisvuil weg! In overeenstemming met de Europese richtlijn inzake oude elektrische en elektronische apparaten en inzake accu's en batterijen en oude accu's en batterijen, alsmede de toepassing daarvan binnen de nationale wetgeving, dienen oude elektrische apparaten, accu's en batterijen gescheiden te worden opgeslagen en te worden ingeleverd bij een apart inzamelingspunt voor huishoudelijk afval dat de milieubeschermingsvoorschriften in acht neemt.

Dit wordt op het apparaat aangegeven door het symbool van een doorgekruiste afvalcontainer.

Gebruiksdoeleinden

Dit gereedschap is bedoeld voor het schuren van grote oppervlakken van hout-, kunststof- en metaalmaterialen, en ook geschilderde oppervlakken.

Geluidsniveau

De typische, A-gewogen geluidsniveaus zijn gemeten volgens EN62841-2-4:

Model	Geluidsdruk-niveau (L_{pA}): (dB (A))	Onzekerheid (K): (dB (A))
BO005CG	73	3
BO006CG	76	3

Het geluidsniveau kan tijdens gebruik hoger worden dan 80 dB (A).

OPMERKING: De opgegeven geluidsemisiewaarde(n) is/zijn gemeten volgens een standaardtestmethode en kan/kunnen worden gebruikt om dit gereedschap te vergelijken met andere gereedschappen.

OPMERKING: De opgegeven geluidsemisiewaarde(n) kan/kunnen ook worden gebruikt voor een beoordeling vooraf van de blootstelling.

⚠️ WAARSCHUWING: Draag gehoorbescherming.

⚠️ WAARSCHUWING: De geluidsemisie tijdens het gebruik van het elektrisch gereedschap in de praktijk kan verschillen van de opgegeven waarde(n) afhankelijk van de manier waarop het gereedschap wordt gebruikt, met name van het soort werkstuk waarmee wordt gewerkt.

⚠️ WAARSCHUWING: Zorg ervoor dat veiligheidsmaatregelen worden getroffen ter bescherming van de gebruiker die zijn gebaseerd op een schatting van de blootstelling onder praktijkomstandigheden (rekening houdend met alle fasen van de bedrijfscyclus, zoals de tijdsduur gedurende welke het gereedschap is uitgeschakeld en stationair draait, naast de ingeschakelde tijdsduur).

Trilling

De totale trillingswaarde (triaxiale vectorsom) zoals vastgesteld volgens EN62841-2-4:

Gebruikstoepassing: schuren van metalen plaat

Model	Trillingsemisie ($a_{h, A\Delta}$): (m/s^2)	Onzekerheid (K): (m/s^2)
BO005CG	2,6	1,5
BO006CG	2,6	1,5

OPMERKING: De totale trillingswaarde(n) is/zijn gemeten volgens een standaardtestmethode en kan/kunnen worden gebruikt om dit gereedschap te vergelijken met andere gereedschappen.

OPMERKING: De opgegeven totale trillingswaarde(n) kan/kunnen ook worden gebruikt voor een beoordeling vooraf van de blootstelling.

⚠️ WAARSCHUWING: De trillingsemisie tijdens het gebruik van het elektrisch gereedschap in de praktijk kan verschillen van de opgegeven waarde(n) afhankelijk van de manier waarop het gereedschap wordt gebruikt, met name van het soort werkstuk waarmee wordt gewerkt.

⚠️ WAARSCHUWING: Zorg ervoor dat veiligheidsmaatregelen worden getroffen ter bescherming van de gebruiker die zijn gebaseerd op een schatting van de blootstelling onder praktijkomstandigheden (rekening houdend met alle fasen van de bedrijfscyclus, zoals de tijdsduur gedurende welke het gereedschap is uitgeschakeld en stationair draait, naast de ingeschakelde tijdsduur).

Verklaringen van conformiteit

Alleen voor Europese landen

De verklaringen van conformiteit zijn bijgevoegd in Bijlage A bij deze gebruiksaanwijzing.

VEILIGHEIDSWAARSCHUWINGEN

Algemene veiligheidswaarschuwingen voor elektrisch gereedschap

⚠️ WAARSCHUWING Lees alle veiligheidswaarschuwingen, instructies, afbeeldingen en technische gegevens die bij dit elektrisch gereedschap worden geleverd. Als niet alle onderstaande instructies worden opgevolgd, kan dat leiden tot een elektrische schok, brand en/of ernstig letsel.

Bewaar alle waarschuwingen en instructies om in de toekomst te kunnen raadplegen.

De term "elektrisch gereedschap" in de veiligheidsvoorwaarden duidt op gereedschappen die op stroom van het lichtnet werken (met snoer) of gereedschappen met een accu (snoerloos).

Veiligheidswaarschuwingen voor schuurmachines

1. **Draag altijd een veiligheidsbril.** Een gewone bril of een zonnebril is GEEN veiligheidsbril.
2. **Houd het gereedschap stevig vast.**
3. **Laat het gereedschap niet ingeschakeld achter.** Schakel het gereedschap alleen in wanneer u het vasthoudt.
4. **Dit gereedschap is niet waterdicht.** Besprenkel derhalve het werkstukoppervlak niet met water.
5. **Zorg dat uw werkplaats goed geventileerd is** wanneer u gaat schuren.

6. Sommige materialen bevatten chemische stoffen die giftig kunnen zijn. Neem voorzorgsmaatregelen tegen het inademen van stof en contact met de huid. Volg de veiligheidsinstructies van de leverancier van het materiaal op.
7. Als dit gereedschap wordt gebruikt voor het schuren van bepaalde producten, verflagen en hout, kan de gebruiker worden blootgesteld aan stof waarin gevaarlijke bestanddelen zitten. Gebruik geschikte ademhalingsbeschermingsapparatuur.
8. Controleer voor het gebruik of de steun-schijf niet gescheurd of gebroken is. Een gescheurde of gebroken steun-schijf kan persoonlijk letsel veroorzaken.
9. Zorg ervoor dat u tijdens het gebruik van het gereedschap stevig staat en uw evenwicht goed bewaart. Controleer of er zich niemand beneden u bevindt wanneer u op hoge plaatsen gaat werken. Als u onderdelen van het gereedschap/de machine vanaf een hoogte laat vallen, kan dat ernstig letsel veroorzaken.
10. Gebruik geen accessoires die niet zijn aanbevolen door de fabrikant. De veiligheid van accessoires die niet zijn aanbevolen door de fabrikant kan niet worden gegarandeerd ondanks dat ze kunnen worden bevestigd.
11. Houd tijdens gebruik uw handen en lichaam uit de buurt van de onderkant van het gereedschap.

BEWAAR DEZE INSTRUCTIES.

⚠️ WAARSCHUWING: Laat u NIET misleiden door een vals gevoel van comfort en bekendheid met het gereedschap (na veelvuldig gebruik) en neem alle veiligheidsvoorschriften van het betreffende gereedschap altijd strikt in acht. VERKEERD GEBRUIK of het niet naleven van de veiligheidsvoorschriften in deze gebruiksaanwijzing kan leiden tot ernstig persoonlijk letsel.

Veiligheidswaarschuwingen voor een accuadapter

1. Wanneer het snoer warm wordt, stopt u met het gebruik van het apparaat en schakelt u het gereedschap/de machine uit. Laat het afkoelen alvorens het opnieuw in te schakelen.
2. Wanneer u uw gereedschap/machine draagt of onbeheerd achterlaat, verwijdert u de adapter vanaf uw gereedschap/machine of maakt u de accuhouder los van uw lichaam enz.
 - Het snoer kan blijven haken achter mensen of obstakels in de buurt en letsel veroorzaken.
 - U kunt onbedoeld aan het gereedschap/de machine trekken dat vastzit aan uw lichaam waardoor u uw evenwicht verliest of het gereedschap/de machine valt en letsel wordt veroorzaakt.
3. Bij gebruik van het apparaat op hoge locaties, gebruikt u altijd een veiligheidsband. Denk eraan dat als het gereedschap/de machine per ongeluk valt, u uw balans kunt verliezen en het

risico bestaat dat u vanaf hoogte valt.

4. **Berg dit apparaat niet op en gebruik het niet terwijl het snoer ineen gedraaid is.** Een beschadigd of verstrikt snoer kan het risico van een elektrische schok of brand verhogen als gevolg van kortsluiting tussen de draden.
5. **Inspecteer vóór gebruik het snoer en de onderdelen van het apparaat op abnormaliteiten.** Als abnormaliteiten worden gevonden, stopt u onmiddellijk met het gebruik van het apparaat en vraagt u een erkend Makita-servicecentrum of het fabrieksservicecentrum het te repareren.

Belangrijke veiligheidsinstructies voor een accu

1. Lees alle voorschriften en waarschuwingen op (1) de acculader, (2) de accu, en (3) het product waarvoor de accu wordt gebruikt, alvorens de accu in gebruik te nemen.
2. Haal de accu niet uit elkaar en saboteer hem niet. Dit kan leiden tot brand, buitensporige hitte of een explosie.
3. Als de gebruikstijd van een opgeladen accu aanzienlijk korter is geworden, moet u het gebruik ervan onmiddellijk stopzetten. Voortgezet gebruik kan oververhitting, brandwonden en zelfs een ontploffing veroorzaken.
4. Als elektrolyt in uw ogen is terechtgekomen, spoelt u uw ogen met schoon water en roept u onmiddellijk de hulp van een dokter in. Elektrolyt in de ogen kan blindheid veroorzaken.
5. Voorkom kortsluiting van de accu:
 - (1) Raak de accuklemmen nooit aan met een geleidend materiaal.
 - (2) Bewaar de accu niet in een bak waarin andere metalen voorwerpen zoals spijkers, munten e.d. worden bewaard.
 - (3) Stel de accu niet bloot aan water of regen. Kortsluiting van de accu kan oorzaak zijn van een grote stroomafgifte, oververhitting, brandwonden, en zelfs defecten.
6. Bewaar en gebruik het gereedschap en de accu niet op plaatsen waar de temperatuur kan oplopen tot 50 °C of hoger.
7. Werp de accu nooit in het vuur, ook niet wanneer hij zwaar beschadigd of volledig versleten is. De accu kan ontploffen in het vuur.
8. Laat de accu niet vallen, sla er geen spijker in, snijd er niet in, gooi er niet mee en stoot hem niet tegen een hard voorwerp. Dergelijke handelingen kunnen leiden tot brand, buitensporige hitte of een explosie.
9. **Gebruik nooit een beschadigde accu.**
10. **De bijgeleverde lithium-ionbatterijen zijn onderhevig aan de vereisten in de wetgeving omtrent gevaarlijke stoffen.** Voor commercieel transport en dergelijke door derden en transporteurs moeten speciale vereisten ten aanzien van verpakking en etikettering worden nageleefd. Als voorbereiding van het artikel dat wordt getransporteerd is het noodzakelijk een expert op het gebied van gevaarlijke stoffen te raadplegen.

Houd u tevens aan mogelijk strengere nationale regelgeving.

Blootliggende contactpunten moeten worden afgedekt met tape en de accu moet zodanig worden verpakt dat deze niet kan bewegen in de verpakking.

11. **Wanneer u de accu wilt weggooien, verwijdert u de accu vanaf het gereedschap en gooit u hem op een veilige manier weg. Volg bij het weggooien van de accu de plaatselijke voorschriften.**
12. **Gebruik de accu's uitsluitend met de gereedschappen die door Makita zijn aanbevolen.** Als de accu's worden aangebracht in niet-compatibele gereedschappen, kan dat leiden tot brand, buitensporige warmteontwikkeling, een explosie of lekkage van elektrolyt.
13. **Als u het gereedschap gedurende een lange tijd niet denkt te gaan gebruiken, moet de accu vanaf het gereedschap worden verwijderd.**
14. **Tijdens en na gebruik, kan de accu heet worden waardoor brandwonden of koude brandwonden kunnen worden veroorzaakt. Wees voorzichtig bij het hanteren van een hete accu.**
15. **Raak de aansluitpunten van het gereedschap niet onmiddellijk na gebruik aan omdat deze heet genoeg kunnen zijn om brandwonden te veroorzaken.**
16. **Zorg ervoor dat geen steenslag, stof of grond vast komt te zitten op/in de aansluitpunten, openingen en groeven van de accu.** Hierdoor kan oververhitting, brand, een barst en een storing in het gereedschap of de accu ontstaan waardoor brandwonden of persoonlijk letsel kunnen ontstaan.
17. **Behalve indien gebruik van het gereedschap is toegestaan in de buurt van hoogspanningsleidingen, mag u de accu niet gebruiken in de buurt van een hoogspanningsleiding.** Dit kan leiden tot een storing of een defect van het gereedschap of de accu.
18. **Houd de accu uit de buurt van kinderen.**

BEWAAR DEZE INSTRUCTIES.

▲LET OP: Gebruik uitsluitend originele Makita accu's. Het gebruik van niet-originele accu's, of accu's die zijn gewijzigd, kan ertoe leiden dat de accu ontploft en brand, persoonlijk letsel en schade veroorzaakt. Ook vervalt daarmee de garantie van Makita op het gereedschap en de lader van Makita.

Tips voor een maximale levensduur van de accu

1. **Laad de accu op voordat hij volledig ontladen is. Stop het gebruik van het gereedschap en laad de accu op telkens wanneer u vaststelt dat het vermogen van het gereedschap is afgenomen.**
2. **Laad een volledig opgeladen accu nooit opnieuw op. Te lang opladen verkort de levensduur van de accu.**
3. **Laad de accu op bij een omgevingstemperatuur tussen 10 °C en 40 °C. Laat een warme accu afkoelen alvorens hem op te laden.**

4. **Als de accu niet wordt gebruikt, verwijdert u hem vanaf het gereedschap of de lader.**
5. **Laad de accu op als u deze gedurende een lange tijd (meer dan zes maanden) niet gaat gebruiken.**

Belangrijke veiligheidsinstructies voor de draadloos-eenheid

1. **Haal de draadloos-eenheid niet uit elkaar en knoei er niet aan.**
2. **Houd de draadloos-eenheid uit de buurt van kinderen. Indien per ongeluk ingeslikt, raadpleeg t u onmiddellijk een arts.**
3. **Gebruik de draadloos-eenheid uitsluitend met Makita-gereedschap.**
4. **Stel de draadloos-eenheid niet bloot aan regen of natte omstandigheden.**
5. **Gebruik de draadloos-eenheid niet op plaatsen waar de temperatuur hoger is dan 50 °C.**
6. **Bedien de draadloos-eenheid niet op plaatsen in de buurt van medische instrumenten, zoals een pacemaker.**
7. **Bedien de draadloos-eenheid niet op plaatsen in de buurt van geautomatiseerde apparaten.** Bij bediening ervan kan in de geautomatiseerde apparaten een storing of fout optreden.
8. **Bedien de draadloos-eenheid niet op plaatsen met een hoge temperatuur of op plaatsen waar statische elektriciteit of elektrische ruis kan worden gegenereerd.**
9. **De draadloos-eenheid kan elektromagnetische velden genereren, maar deze zijn niet schadelijk voor de gebruiker.**
10. **De draadloos-eenheid is een nauwkeurig instrument. Wees voorzichtig dat u de draadloos-eenheid niet laat vallen of ergens tegenaan stoot.**
11. **Raak de aansluitpunten van de draadloos-eenheid niet aan met blote handen of metaalachtige materialen.**
12. **Verwijder altijd de accu uit het apparaat wanneer u de draadloos-eenheid erin aanbrengt.**
13. **Open de afdekking van de gleuf niet op plaatsen waar stof of vocht in de gleuf kan binnendringen. Houd de ingang van de gleuf altijd schoon.**
14. **Breng de draadloos-eenheid altijd in de juiste richting aan.**
15. **Druk niet te hard op de knop voor draadloos inschakelen op de draadloos-eenheid en/of druk niet op de knop met een scherp voorwerp.**
16. **Sluit altijd de afdekking van de gleuf tijdens gebruik.**
17. **Verwijder de draadloos-eenheid niet uit de gleuf terwijl voeding wordt geleverd aan het gereedschap. Als u dit doet, kan een storing optreden in de draadloos-eenheid.**
18. **Verwijder de sticker op de draadloos-eenheid niet.**
19. **Plak geen stickers op de draadloos-eenheid.**
20. **Laat de draadloos-eenheid niet liggen op een plaats waar statische elektriciteit of elektrische**

ruis kan worden gegeneerd.

21. Laat de draadloos-eenheid niet liggen op een plaats die is blootgesteld aan hoge temperaturen, zoals in een auto die in de zon staat geparkeerd.
22. Laat de draadloos-eenheid niet liggen op een plaats met veel stof of poeder, of op een plaats waar corrosief gas kan worden gegeneerd.
23. Door een plotselinge verandering in temperatuur kan condens op de draadloos-eenheid worden gevormd. Gebruik de draadloos-eenheid niet voordat de condens volledig is verdampd.
24. Veeg de draadloos-eenheid voorzichtig schoon met een droge, zachte doek. Gebruik geen wasbenzine, thinner, geleidend vet en dergelijke.
25. Bewaar de draadloos-eenheid in de bijgeleverde doos of een antistatische container.
26. Breng geen andere apparaten dan een draadloos-eenheid van Makita aan in de gleuf van het gereedschap.
27. Gebruik het gereedschap niet als de afdekking van de gleuf beschadigd is. Water, stof en vuil die in de gleuf binnendringen, kunnen een storing veroorzaken.
28. Trek en draai niet meer dan nodig is aan de afdekking van de gleuf. Plaats de afdekking terug als deze los komt van het gereedschap.
29. Vervang de afdekking van de gleuf als deze verloren of beschadigd is.

BEWAAR DEZE INSTRUCTIES.

BESCHRIJVING VAN DE FUNCTIES

⚠ LET OP: Zorg altijd dat het gereedschap is uitgeschakeld en de accu ervan is verwijderd alvorens de functies op het gereedschap af te stellen of te controleren.

De accu aanbrengen en verwijderen

⚠ LET OP: Schakel het gereedschap altijd uit voordat u de accu aanbrengt of verwijdert.

⚠ LET OP: Houd het gereedschap en de accu stevig vast tijdens het aanbrengen of verwijderen van de accu. Als u het gereedschap en de accu niet stevig vasthoudt, kunnen deze uit uw handen glijpen en het gereedschap of de accu beschadigen, of kan persoonlijk letsel worden veroorzaakt.

Om de accu aan te brengen lijnt u de lip op de accu uit met de groef in de behuizing en duwt u de accu op zijn plaats. Steek de accu zo ver mogelijk in het gereedschap tot u een klikgeluid hoort. Wanneer het rode deel zichtbaar is, zoals aangegeven in de afbeelding, is de accu niet geheel vergrendeld.

Om de accu te verwijderen verschuift u de knop aan de voorkant van de accu en schuift u tegelijkertijd de accu

uit het gereedschap.

► Fig.1: 1. Rood deel 2. Knop 3. Accu

⚠ LET OP: Breng de accu altijd helemaal aan totdat het rode deel niet meer zichtbaar is. Als u dit niet doet, kan de accu per ongeluk uit het gereedschap vallen en u of anderen in uw omgeving verwonden.

⚠ LET OP: Breng de accu niet met kracht aan. Als de accu niet gemakkelijk in het gereedschap kan worden geschoven, wordt deze niet goed aangebracht.

De resterende acculading controleren

Druk op de testknop op de accu om de resterende acculading te zien. De indicatorlampjes branden gedurende enkele seconden.

► Fig.2: 1. Indicatorlampjes 2. Testknop

Indicatorlampjes			Resterende acculading
Brandt	Uit	Knippert	
■ ■ ■ ■	□ □ □ □	▧	75% tot 100%
■ ■ ■ □	□ □ □ □	▧	50% tot 75%
■ ■ □ □	□ □ □ □	▧	25% tot 50%
■ □ □ □	□ □ □ □	▧	0% tot 25%
▧ □ □ □	□ □ □ □	▧	Laad de accu op.
■ ■ □ □	□ □ □ □	▧	Er kan een storing zijn opgetreden in de accu.
□ □ ■ ■	□ □ □ □	▧	

OPMERKING: Afhankelijk van de gebruiksomstandigheden en de omgevingstemperatuur, is het mogelijk dat de aangegeven acculading verschilt van de werkelijke acculading.

OPMERKING: Het eerste (meest linker) indicatorlampje knippert wanneer het accubeveiligingssysteem in werking is getreden.

De trekkerschakelaar gebruiken

⚠ LET OP: Voorkom dat het gereedschap wordt ingeschakeld terwijl het op het werkstuk of op uw werkbank staat. Dit kan persoonlijk letsel of schade veroorzaken.

Het gereedschap in- en uitschakelen

Druk op de aan-uitknop om het gereedschap te starten. Druk nogmaals op de aan-uitknop om het gereedschap te stoppen.

► Fig.3: 1. Aan-uitknop

Toerentalinstelknop

KENNISGEVING: Als het gereedschap gedurende een lange tijd continu op een laag toerental wordt gebruikt, wordt de motor overbelast, waardoor het gereedschap defect raakt.

KENNISGEVING: De toerentalinstelknop kan slechts tot stand 5 worden gedraaid, en terug naar stand 1. Forceer hem niet tot voorbij stand 5 of stand 1 omdat dan de toerentalinstelfunctie mogelijk niet meer werkt.

Het toerental kan worden veranderd door de toerentalinstelknop te draaien. Het toerental wordt hoger wanneer u de instelknop in de richting van het cijfer 5 draait. Het toerental wordt lager wanneer u de instelknop in de richting van het cijfer 1 draait.

Zie de onderstaande tabel voor de verhouding tussen de cijfers op de knop en het toerental bij benadering.

Cijfer	Omwentelingen per minuut
1	6.000
2	6.500
3	8.000
4	9.500
5	10.000

► Fig.4: 1. Toerentalinstelknop

Elektronische functie

Het gereedschap is uitgerust met de volgende elektronische functie(s) voor een gemakkelijke bediening.

Zachte-startfunctie

De zachte-startfunctie dempt de startschok bij inschakelen.

Constante-toerentalregeling

Elektronische toerentalregeling voor het handhaven van een constant toerental.

Deze functie maakt een gladde afwerking mogelijk omdat het toerental constant blijft, ook onder belasting.

Elektrische rem

De elektrische rem zorgt ervoor dat het gereedschap snel stopt omwille van de veiligheid en het gebruiksgemak.

Beveiliging tegen onopzettelijk herstarten

Als een voedingsbron (bijvoorbeeld de accu enz.) is aangesloten op het gereedschap terwijl u op de aan-uitknop drukt, start het gereedschap niet.

Om het gereedschap te starten, drukt u nogmaals op de aan-uitknop.

Gereedschap-/accubeveiligingssysteem

Het gereedschap is voorzien van een gereedschap-/accubeveiligingssysteem. Dit systeem schakelt

automatisch de voeding naar de motor uit om de levensduur van het gereedschap en de accu te verlengen. Het gereedschap kan tijdens het gebruik automatisch stoppen als het gereedschap of de accu aan één van de volgende omstandigheden wordt blootgesteld:

Overbelastingsbeveiliging

Wanneer het gereedschap of de accu wordt gebruikt op een wijze die ertoe leidt dat er een abnormaal sterke stroom wordt onttrokken, stopt het gereedschap automatisch zonder indicatie. Schakel in dit geval het gereedschap uit en stop de toepassing die ertoe geleid heeft dat het gereedschap overbelast is geraakt. Schakel vervolgens het gereedschap in om het opnieuw op te starten.

Oververhittingsbeveiliging

Wanneer het gereedschap of de accu oververhit raakt, stopt het gereedschap automatisch. Laat in dit geval het gereedschap en de accu afkoelen voordat u het gereedschap weer inschakelt.

Beveiliging tegen te ver ontladen

Als de acculading onvoldoende is, stopt het gereedschap automatisch. In dit het geval verwijdert u de accu vanaf het gereedschap en laadt u de accu op.

Beveiliging tegen andere oorzaken

Het beveiligingssysteem is ook ontworpen voor andere oorzaken die het gereedschap kunnen beschadigen, en zorgt ervoor dat het gereedschap automatisch stopt. Voer alle volgende stappen uit om de oorzaken op te heffen, wanneer het gereedschap tijdelijk is onderbroken of tijdens het gebruik is gestopt.

1. Verzeker u ervan dat alle schakelaars in de uitstand staan en schakel vervolgens het gereedschap in om het weer te starten.
2. Laad de accu('s) op of vervang hem/ze door (een) opgeladen accu('s).
3. Laat het gereedschap en de accu('s) afkoelen.

Als geen verbetering optreedt nadat het beveiligingssysteem is gereset, neemt u contact op met uw lokale Makita-servicecentrum.

MONTAGE

⚠ LET OP: Zorg altijd dat het gereedschap is uitgeschakeld en de accu ervan is verwijderd alvorens enig werk aan het gereedschap uit te voeren.

De steunblokbescermer aanbrengen en verwijderen

De steunblokbescermer voorkomt slijtage van het klittenband op het steunblok.

1. Om de steunblokbescermer aan te brengen, verwijdert u eerst al het vuil en vreemde stoffen vanaf het steunblok.
2. Bevestig de steunblokbescermer op het

steunblok en lijn daarbij de stofafzuigpaten in de steunblokbekchermer uit met die in het steunblok.

- **Fig.5:** 1. Steunblokbekchermer 2. Steunblok 3. Stofafzuigpaten

Als het klittenband op de steunblokbekchermer versleten is, verwijderd u de steunblokbekchermer en brengt u een nieuwe aan.

Om de steunblokbekchermer te verwijderen, trekt u de steunblokbekchermer vanaf de rand eraf.

Het schuurpapier aanbrengen en verwijderen

▲LET OP: Verzekerd u er vóór gebruik van dat het schuurpapier stevig is bevestigd. Anders kan het schuurpapier gemakkelijk losraken en verschuiven waardoor een ongelijkmatig schuurresultaat wordt verkregen.

▲LET OP: Verzekerd u ervan dat de steunschijf correct en stevig is bevestigd. Een loszittende bevestiging zal leiden tot ongebalanceerd draaien en buitensporige trillingen, waardoor u de controle over het gereedschap verliest.

▲LET OP: Verzekerd u ervan dat de steunschijf, de steunschijfbekchermer en het schuurpapier zijn uitgelijnd en stevig zijn bevestigd.

▲LET OP: Gebruik uitsluitend schuurpapier. Gebruik nooit drukgevoelig schuurpapier.

OPMERKING: Het schuurpapier kan ook rechtstreeks op de steunschijf worden bevestigd.

1. Verwijder al het vuil en vreemde stoffen vanaf de steunschijfbekchermer.
2. Bevestig een schuurvel op de steunschijfbekchermer.

— Bij een papieren schuurvel met stofafzuigpaten, lijnt u de stofafzuigpaten in het papier uit met die in de steunschijfbekchermer.

— Bij een net-type schuurvel lijnt u de omtrek ervan uit met de steunschijfbekchermer.

- **Fig.6:** 1. Schuurvel 2. Steunschijfbekchermer 3. Stofafzuigpat

Om het schuurvel te verwijderen, trekt u het schuurvel vanaf de rand eraf terwijl u de steunschijfbekchermer vasthoudt om te voorkomen dat deze er ook wordt afgetrokken.

Bekchermer

De bekchermer voorkomt dat het steunblok, het gereedschapshuis en de muur worden beschadigd wanneer u vlakbij een muur werkt.

- **Fig.7:** 1. Bekchermer

Om de bekchermer te monteren, lijnt u de lip van de bekchermer uit met de groef en duwt u de bekchermer erin.

Om de bekchermer te verwijderen, opent u de vergrendelingen en trekt u de bekchermer naar voren eraf.

- **Fig.8:** 1. Bekchermer 2. Groef 3. Vergrendeling

De stofzak aanbrengen en verwijderen

Bevestig de stofzak over de stofuitwerpmond aan de achterkant van het motorhuis. Steek de stofinlaatopening helemaal over de stofuitwerpmond tot deze op zijn plaats wordt vergrendeld.

Om de stofzak te verwijderen, houdt u de stofdop vast en trekt u eraan.

- **Fig.9:** 1. Stofuitwerpmond 2. Stofinlaatopening 3. Stofdop 4. Stofzak

KENNISGEVING: Draag het gereedschap niet door het aan de stofzak vast te houden. Anders kan het gereedschap vallen en beschadigd raken.

Het stof weggooien

Om zeker te zijn van een optimale stofafvang, maakt u de stofzak leeg wanneer deze ongeveer halfvol zit.

1. Druk de twee knoppen op de stofzak in en verwijder de stofzak vanaf de stofdop.
2. Tik voorzichtig op de onderkant van de stofzak om deze te legen.

- **Fig.10:** 1. Stofzak 2. Stofdop 3. Knop

Een stofzuiger aansluiten

Wanneer u schoon wilt werken, sluit u een Makita-stofzuiger aan op uw gereedschap.

KENNISGEVING: Wanneer u het gereedschap gebruikt met een ruggedragen stofzuiger, gebruikt u altijd het voorste aansluitstuk (geleverd bij het gereedschap). Hierdoor wordt de statische elektriciteit verminderd.

1. Verwijder het andere aansluitstuk vanaf de slang als dit is bevestigd.
 2. Draai het voorste aansluitstuk, dat bij het gereedschap werd geleverd, op de slang. Let erop dat het voorste aansluitstuk stevig op de slang wordt gedraaid.
- **Fig.11:** 1. Voorste aansluitstuk (geleverd bij het gereedschap) 2. Slang 3. Stofzuiger 4. Ander aansluitstuk

3. Bevestig het voorste aansluitstuk over de stofuitwerpmond van het gereedschap.

Steek het voorste aansluitstuk helemaal over de stofuitwerpmond en draai daarna het voorste aansluitstuk stevig in de richting van de pijl, zoals aangegeven in de afbeelding.

- **Fig.12:** 1. Stofuitwerpmond 2. Voorste aansluitstuk (geleverd bij het gereedschap)

Voor een andere stofzuiger dan het ruggedragen type

U kunt de slang ook aansluiten met behulp van het voorste aansluitstuk 22 en het voorste aansluitstuk 24. Het voorste aansluitstuk 22 en het voorste aansluitstuk 24 zijn optionele accessoires of worden bij de stofzuiger geleverd.

- **Fig.13:** 1. Voorste aansluitstuk 22 (optionele accessoire of geleverd bij de stofzuiger) 2. Voorste aansluitstuk 24 (optionele accessoire of geleverd bij de stofzuiger)

De accuadapter aanbrengen of verwijderen

KENNISGEVING: Verzeker u ervan dat zich geen stof heeft opgehoopt bij de aansluiting van het gereedschap en de accuadapter. Een stofopganging kan een storing veroorzaken.

1. Om de accuadapter aan te brengen, lijnt u de pijlmarkering op de accuadapter uit met die op het gereedschap.
 2. Steek de accuadapter helemaal erin tot hij wordt vergrendeld met een klikgeluid.
- Fig.14: 1. Gereedschap 2. Accuadapter
3. Pijlmarkering

Om de accuadapter te verwijderen, drukt u de twee knoppen in en trekt u de accuadapter eraf.

- Fig.15: 1. Knop

De accuadapter instellen

▲LET OP: Bedien het gereedschap niet wanneer de aansluitkabel beschadigd is.

KENNISGEVING: Misbruik de aansluitkabel niet. Draag het gereedschap niet door het aan de aansluitkabel op te tillen. Houd de aansluitkabel uit de buurt van hitte, olie of scherpe randen. Anders kan de aansluitkabel worden beschadigd.

Hang de accuadapter aan de heupgordel. De kabelklem helpt de kabel te geleiden. Bevestig de kabelklem zo nodig met de schroef aan de linker- of rechterkant van de accuadapter.

- Fig.16: 1. Kabelklem

Armband

De armband is handig bij het geleiden van de kabel.

1. Doe de armband om uw arm en stel daarna de lengte van de armband af.
 2. Duw de aansluitkabel door de opening in de houder.
- Fig.17: 1. Armband 2. Houder met opening

▲LET OP: Forceer de opening van de houder niet. Als u dat toch doet, kan deze vervormd en beschadigd raken.

Slangriem

Geleverd bij de accuadapter met een kabel van 5 meter (optioneel accessoire)

Als de stofzuiger is aangesloten op het gereedschap, kan de slangriem worden gebruikt om de kabel langs de slang te bevestigen zodat deze niet verstrikt raken. Bevestig de kabel langs de slang met behulp van slangriemen met een tussenafstand van ongeveer 1 meter, zoals aangegeven in de afbeelding.

- Fig.18: 1. Slangriem 2. Kabel 3. Slang 4. Ongeveer 1 m

BEDIENING

Schuren

▲LET OP: Zorg er altijd voor dat het werkstuk stevig is vastgezet.

▲LET OP: Draag een stofmasker wanneer tijdens het werken veel stof vrij komt.

▲LET OP: Raak het draaiende schuurpapier niet aan. Als u dat toch doet, kan dit leiden tot persoonlijk letsel.

KENNISGEVING: Schakel het gereedschap nooit in zonder dat schuurpapier is aangebracht. Hierdoor kan de steunschijfbeschermer of de steunschijf ernstig worden beschadigd.

KENNISGEVING: Forceer het gereedschap nooit. Door buitensporige druk kan de efficiëntie van het schuren lager worden, het schuurpapier beschadigd worden en/of de levensduur van het gereedschap verkort worden.

KENNISGEVING: Gebruik het gereedschap niet voor polijsten. Breng geen accessoire voor polijsten, zoals een spons, aan op het gereedschap. Anders kan een storing optreden.

Houd het gereedschap stevig vast. Schakel het gereedschap in en wacht totdat het ingestelde toerental is bereikt. Plaats daarna voorzichtig het gereedschap op het oppervlak van het werkstuk. Houd de steunschijf evenwijdig aan het werkstuk en oefen geen zware druk uit op het gereedschap.

- Fig.19

Gebruik met het draagstel

Optioneel accessoire

Het draagstel maakt het mogelijk om te werken met de accuadapter op uw rug.

De karabijnhaak kan worden bevestigd aan het draagstel. Het gereedschap kan met behulp van de haak aan de karabijnhaak worden gehangen. Voor het monteren van de haak raadpleegt u "De haak aanbrengen".

- Fig.20: 1. Draagstel 2. Karabijnhaak

Werken met de beschermhoes

Optioneel accessoire

KENNISGEVING: Voordat u een beschermhoes kiest, verzekert u zich ervan dat de beschermhoes ontworpen is voor uw ruggedragen stofzuiger.

De beschermhoes kan alleen worden bevestigd aan compatibele modellen van de ruggedragen stofzuiger.

Voorbeelden van compatibele modellen:

- VC008G / GCV05
- VC009G / GCV06

Hierboven staan voorbeelden van slechts enkele modellen. Voor meer informatie vraagt u uw servicecentrum of uw ruggedragen stofzuiger compatibel is met de beschermhoes of niet.

De beschermhoes beschermt de ruggedragen stofzuiger en de accuadapter, en maakt het mogelijk om te werken terwijl u de ruggedragen stofzuiger en de accuadapter tezamen op uw rug draagt.

1. Verwijder de schroeven waarmee het draagstel van de ruggedragen stofzuiger is bevestigd.
► **Fig.21:** 1. Ruggedragen stofzuiger 2. Draagstel van de ruggedragen stofzuiger 3. Schroef

2. Plaats de ruggedragen stofzuiger in de beschermhoes (voor een ruggedragen stofzuiger).

► **Fig.22:** 1. Beschermhoes (voor een ruggedragen stofzuiger)

3. Bevestig het draagstel van de ruggedragen stofzuiger door de schroeven erin te draaien.

► **Fig.23**

4. Plaats de onderdelen van de accuadapter in de beschermhoes (voor de accuadapter) en bevestig vervolgens de beschermhoes (voor de accuadapter) met behulp van de lussen aan het draagstel, zoals aangegeven in de afbeelding.

► **Fig.24:** 1. Beschermhoes (voor de accuadapter)

5. De karabijnhaak kan worden bevestigd aan het draagstel. Het gereedschap kan met behulp van de haak aan de karabijnhaak worden gehangen. Voor het monteren van de haak raadpleegt u "De haak aanbrengen".

► **Fig.25:** 1. Beschermhoes (voor de accuadapter)
2. Beschermhoes (voor een ruggedragen stofzuiger) 3. Karabijnhaak

De haak aanbrengen

⚠WAARSCHUWING: Gebruik de opgang-/bevestigingsmiddelen alleen waarvoor ze bedoeld zijn, d.w.z. ophangen aan een gereedschapsgordel tussen werkzaamheden of tijdens pauzes.

⚠WAARSCHUWING: Wees voorzichtig de haak niet te overbelasten met een te grote kracht. Anders kan door onregelmatige overbelasting het gereedschap worden beschadigd wat kan leiden tot persoonlijk letsel.

⚠LET OP: Als u de haak aanbrengt, bevestigt u deze altijd stevig met de schroef. Als u dit niet doet, kan de haak losraken en tot persoonlijk letsel leiden.

⚠LET OP: Verzeker u ervan dat het gereedschap veilig hangt voordat u het loslaat. Door onzorgvuldig of ongebalanceerd ophangen kan het gereedschap eraf vallen en persoonlijk letsel worden veroorzaakt.

⚠LET OP: Gebruik een voldoende sterke karabijnhaak. Anders kan de karabijnhaak breken en letsel veroorzaken.

Het gereedschap kan met behulp van de haak aan de karabijnhaak worden gehangen.

► **Fig.26:** 1. Haak 2. Karabijnhaak

De haak kan worden bevestigd aan elke zijkant van het gereedschap. Om de haak te bevestigen, steekt u deze in het gat in het gereedschap en bevestigt u vervolgens de haak met behulp van de schroef. Om hem te

verwijderen, draait u de schroef los en haalt u hem van het gereedschap af.

► **Fig.27:** 1. Gat 2. Haak 3. Schroef

FUNCTIE VOOR DRAADLOOS INSCHAKELN

Mogelijkheden van de functie voor draadloos inschakelen

Met de functie voor draadloos inschakelen kunt u schoon en comfortabel werken. Door een ondersteunde stofzuiger aan te sluiten op het gereedschap, kunt u de stofzuiger automatisch laten in- en uitschakelen bij bediening van de schakelaar van het gereedschap.

► **Fig.28**

Om de functie voor draadloos inschakelen te gebruiken, dient u de volgende zaken voor te bereiden:

- Een draadloos-eenheid (optioneel accessoire)
- Een stofzuiger die de functie voor draadloos inschakelen ondersteunt

In het kort bestaat het instellen van de functie voor draadloos inschakelen uit de volgende punten. Raadpleeg elke paragraaf voor informatie over de procedure.

1. De draadloos-eenheid aanbrengen
2. Registratie van het gereedschap op de stofzuiger
3. De functie voor draadloos inschakelen starten

De draadloos-eenheid aanbrengen

Optioneel accessoire

⚠LET OP: Plaats het gereedschap op een vlakke en stabiele ondergrond wanneer u de draadloos-eenheid aanbrengt.

KENNISGEVING: Verwijder het stof en vuil vanaf het gereedschap voordat u de draadloos-eenheid aanbrengt. Stof en vuil kunnen een storing veroorzaken wanneer ze binnendringen in de gleuf voor de draadloos-eenheid.

KENNISGEVING: Om een storing als gevolg van statische elektriciteit te voorkomen, raakt u een materiaal aan dat statische elektriciteit ontlaaft, zoals een metalen onderdeel van het gereedschap, voordat u de draadloos-eenheid oppakt.

KENNISGEVING: Let er bij het aanbrengen van de draadloos-eenheid altijd op dat de draadloos-eenheid in de correcte richting wordt aangebracht en dat de afdekking volledig wordt gesloten.

1. Open de afdekking op het gereedschap, zoals aangegeven in de afbeelding.

► **Fig.29:** 1. Afdekking

2. Breng de draadloos-eenheid aan in de gleuf en sluit vervolgens de afdekking.

Wanneer u de draadloos-eenheid aanbrengt, lijnt u de uitsteeksel uit met de uitsparingen in de gleuf.

- **Fig.30:** 1. Draadloos-eenheid 2. Uitsteeksel
3. Afdekking 4. Uitsparing

Wanneer u de draadloos-eenheid verwijdert, opent u langzaam de afdekking. De haken op de achterkant van de afdekking, tillen de draadloos-eenheid op terwijl u de afdekking omhoog trekt.

- **Fig.31:** 1. Draadloos-eenheid 2. Haak 3. Afdekking

Nadat de draadloos-eenheid is verwijderd, bewaart u hem in de bijgeleverde doos of een antistatische container.

KENNISGEVING: Gebruik altijd de haken op de achterkant van de afdekking wanneer u de draadloos-eenheid verwijdert. Als de haken niet aangrijpen op de draadloos-eenheid, sluit u de afdekking volledig en opent u hem weer langzaam.

Registratie van het gereedschap op de stofzuiger

OPMERKING: Een stofzuiger van Makita die de functie voor draadloos inschakelen ondersteunt, is vereist voor registratie van het gereedschap.

OPMERKING: Voltooi het aanbrengen van de draadloos-eenheid in het gereedschap voordat u de registratie van het gereedschap start.

OPMERKING: Gedurende de registratie van het gereedschap mag u de trekverschakelaar van het gereedschap niet inknippen en de aan-uitknop van de stofzuiger niet bedienen.

OPMERKING: Raadpleeg tevens de gebruiksaanwijzing van de stofzuiger.

Als u wilt dat de stofzuiger wordt ingeschakeld tegelijk met de bediening van de schakelaar van het gereedschap, moet u van tevoren de registratie van het gereedschap voltooien.

1. Breng de accu's aan in de stofzuiger en het gereedschap.

2. Zet de standbyschakelaar op de stofzuiger op "AUTO".

- **Fig.32:** 1. Standbyschakelaar

3. Houd de knop voor draadloos inschakelen op de stofzuiger gedurende 3 seconden ingedrukt totdat de lamp van draadloos inschakelen groen knippert. En houd daarna op dezelfde manier de knop voor draadloos inschakelen op het gereedschap ingedrukt.

- **Fig.33:** 1. Knop voor draadloos inschakelen
2. Lamp van draadloos inschakelen

Nadat de stofzuiger en het gereedschap met succes aan elkaar zijn gekoppeld, zullen de lampen van draadloos inschakelen gedurende 2 seconden groen branden, waarna ze blauw gaan knipperen.

OPMERKING: De lampen van draadloos inschakelen stoppen na 20 seconden met groen knipperen. Druk op de knop voor draadloos inschakelen op het gereedschap terwijl de lamp van draadloos inschakelen op de stofzuiger knippert. Als de lamp van draadloos inschakelen niet groen knippert, drukt u kort op de knop voor draadloos inschakelen en houdt u deze weer ingedrukt.

OPMERKING: Als u twee of meer gereedschappen registreert op één stofzuiger, voltooit u de registratie van de gereedschappen één voor één.

De functie voor draadloos inschakelen starten

OPMERKING: Voltooi de registratie van het gereedschap op de stofzuiger voordat u de functie draadloos inschakelen gebruikt.

OPMERKING: Raadpleeg tevens de gebruiksaanwijzing van de stofzuiger.

Nadat een gereedschap in de stofzuiger is geregistreerd, wordt de stofzuiger automatisch in- en uitgeschakeld door de bediening van de schakelaar van het gereedschap.

1. Breng de draadloos-eenheid aan in het gereedschap.

2. Sluit de slang van de stofzuiger aan op het gereedschap.

- **Fig.34**

3. Zet de standbyschakelaar op de stofzuiger op "AUTO".

- **Fig.35:** 1. Standbyschakelaar

4. Druk kort op de knop voor draadloos inschakelen op het gereedschap. De lamp van draadloos inschakelen knippert blauw.

- **Fig.36:** 1. Knop voor draadloos inschakelen
2. Lamp van draadloos inschakelen

5. Schakel het gereedschap in. Controleer of de stofzuiger is ingeschakeld terwijl het gereedschap in gebruik is.

Om het draadloos inschakelen van de stofzuiger te stoppen, drukt u op de knop voor draadloos inschakelen op het gereedschap.

OPMERKING: De lamp van draadloos inschakelen op het gereedschap stopt met blauw knipperen wanneer gedurende 2 uur geen bediening plaatsvindt. In dat geval zet u de standbyschakelaar van de stofzuiger op "AUTO" en drukt u nogmaals op de knop voor draadloos inschakelen op het gereedschap.

OPMERKING: De stofzuiger wordt met een vertraging in- en uitgeschakeld. Er treedt een tijdsvertraging op wanneer de stofzuiger de bediening van de schakelaar van het gereedschap detecteert.










OPMERKING: Het zendbereik van de draadloos-eenheid kan variëren afhankelijk van de locatie en omgevingsomstandigheden.

OPMERKING: Als twee of meer gereedschappen zijn geregistreerd in één stofzuiger, kan de stofzuiger worden ingeschakeld ondanks dat u uw gereedschap niet inschakelt omdat een andere gebruiker de functie voor draadloos inschakelen gebruikt.

Beschrijving van de status van de lamp van draadloos inschakelen

► Fig.37: 1. Lamp van draadloos inschakelen

De lamp van draadloos inschakelen toont de status van de functie voor draadloos inschakelen. Raadpleeg de onderstaande tabel voor de betekenis van de status van de lamp.

Status	Lamp van draadloos inschakelen				Beschrijving
	Kleur	 Brandt	 Knippert	Duur	
Standby	Blauw			2 uur	Het draadloos inschakelen van de stofzuiger is beschikbaar. De lamp wordt automatisch uitgeschakeld wanneer gedurende 2 uur geen bediening plaatsvindt.
				Bij ingeschakeld gereedschap.	Het draadloos inschakelen van de stofzuiger is beschikbaar en het gereedschap is ingeschakeld.
Registratie van het gereedschap	Groen			20 seconden	Klaar voor registratie van het gereedschap. Wachten op registratie door de stofzuiger.
				2 seconden	De registratie van het gereedschap is voltooid. De lamp van draadloos inschakelen knippert blauw.
Registratie van het gereedschap annuleren	Rood			20 seconden	Klaar om de registratie van het gereedschap te annuleren. Wachten op annuleren door de stofzuiger.
				2 seconden	Het annuleren van de registratie van het gereedschap is voltooid. De lamp van draadloos inschakelen knippert blauw.
Overig	Rood			3 seconden	De draadloos-eenheid wordt van stroom voorzien en de functie voor draadloos inschakelen start nu op.
	Uit	-		-	Het draadloos inschakelen van de stofzuiger is gestopt.

Registratie van het gereedschap op de stofzuiger annuleren

Voer de volgende procedure uit om de registratie van het gereedschap in de stofzuiger te annuleren.

1. Breng de accu's aan in de stofzuiger en het gereedschap.
2. Zet de standbyschakelaar op de stofzuiger op "AUTO".

► Fig.38: 1. Standbyschakelaar

3. Houd de knop voor draadloos inschakelen op de stofzuiger gedurende 6 seconden ingedrukt. De lamp van draadloos inschakelen knippert groen en brandt daarna rood. Houd daarna op dezelfde manier de

knop voor draadloos inschakelen op het gereedschap ingedrukt.

- Fig.39: 1. Knop voor draadloos inschakelen
2. Lamp van draadloos inschakelen

Als het annuleren met succes is uitgevoerd, zullen de lampen van draadloos inschakelen gedurende 2 seconden rood branden, waarna ze blauw gaan knipperen.

OPMERKING: De lampen van draadloos inschakelen stoppen na 20 seconden met rood knipperen. Druk op de knop voor draadloos inschakelen op het gereedschap terwijl de lamp van draadloos inschakelen op de stofzuiger knippert. Als de lamp van draadloos inschakelen niet rood knippert, drukt u kort op de knop voor draadloos inschakelen en houdt u deze weer ingedrukt.

Storingzoeken van de functie voor draadloos inschakelen

Alvorens u verzoekt om reparatie, kunt u zelf als volgt het probleem opsporen en oplossen. Als u met een probleem kampt dat in deze handleiding niet wordt beschreven, probeer dan niet het gereedschap te demonteren. Laat reparaties over aan een erkend Makita-servicecentrum, uitsluitend met gebruik van originele Makita-ervangingsonderdelen.

Probleemomschrijving	Waarschijnlijke oorzaak (storing)	Oplossing
De lamp van draadloos inschakelen brandt/knippert niet.	De draadloos-eenheid is niet aangebracht in het gereedschap. De draadloos-eenheid is verkeerd aangebracht in het gereedschap.	Breng de draadloos-eenheid op de juiste wijze aan.
	De aansluitingen van de draadloos-eenheid en/of de gleuf zijn vuil.	Veeg het stof en vuil op de aansluitingen van de draadloos-eenheid voorzichtig af en reinig de gleuf.
	Er is niet op de knop voor draadloos inschakelen op het gereedschap gedrukt.	Druk kort op de knop voor draadloos inschakelen op het gereedschap.
	De standbyschakelaar op de stofzuiger is niet op "AUTO" gezet.	Zet de standbyschakelaar op de stofzuiger op "AUTO".
	Geen voeding.	Voorzie het gereedschap en de stofzuiger van voeding.
De registratie van het gereedschap/het annuleren van de registratie van het gereedschap kan niet met succes worden voltooid.	De draadloos-eenheid is niet aangebracht in het gereedschap. De draadloos-eenheid is verkeerd aangebracht in het gereedschap.	Breng de draadloos-eenheid op de juiste wijze aan.
	De aansluitingen van de draadloos-eenheid en/of de gleuf zijn vuil.	Veeg het stof en vuil op de aansluitingen van de draadloos-eenheid voorzichtig af en reinig de gleuf.
	De standbyschakelaar op de stofzuiger is niet op "AUTO" gezet.	Zet de standbyschakelaar op de stofzuiger op "AUTO".
	Geen voeding.	Voorzie het gereedschap en de stofzuiger van voeding.
	Onjuiste bediening	Druk kort op de knop voor draadloos inschakelen en voer de procedures voor de registratie/het annuleren van de registratie opnieuw uit.
	Het gereedschap en de stofzuiger staan te ver uit elkaar (buiten het zendbereik).	Plaats het gereedschap en de stofzuiger dicht bij elkaar. Het maximale zendbereik is ongeveer 10 meter, echter, dit kan verschillen afhankelijk van de omstandigheden.
	Voordat de registratie van het gereedschap/het annuleren van de registratie van het gereedschap werd voltooid: - de schakelaar van het gereedschap werd aan gezet of; - de aan-uitknop op de stofzuiger werd ingeschakeld.	Druk kort op de knop voor draadloos inschakelen en voer de procedures voor de registratie/het annuleren van de registratie opnieuw uit.
	De procedure voor de registratie van het gereedschap op het gereedschap of de stofzuiger is niet voltooid.	Voer de procedure voor de registratie van het gereedschap tegelijkertijd uit op het gereedschap en de stofzuiger.
	Radiostoring door andere apparaten die sterke radiogolven genereren.	Houd het gereedschap en de stofzuiger uit de buurt van apparaten zoals Wi-Fi-apparaten en magnetrons.

Probleemomschrijving	Waarschijnlijke oorzaak (storing)	Oplossing
De stofzuiger wordt niet in- en uitgeschakeld tegelijk met de bediening van de schakelaar van het gereedschap.	De draadloos-eenheid is niet aangebracht in het gereedschap. De draadloos-eenheid is verkeerd aangebracht in het gereedschap.	Breng de draadloos-eenheid op de juiste wijze aan.
	De aansluitingen van de draadloos-eenheid en/of de gleuf zijn vuil.	Veeg het stof en vuil op de aansluitingen van de draadloos-eenheid voorzichtig af en reinig de gleuf.
	Er is niet op de knop voor draadloos inschakelen op het gereedschap gedrukt.	Druk kort op de knop voor draadloos inschakelen en controleer of de lamp van draadloos inschakelen blauw knippert.
	De standbyschakelaar op de stofzuiger is niet op "AUTO" gezet.	Zet de standbyschakelaar op de stofzuiger op "AUTO".
	Meer dan 10 gereedschappen zijn geregistreerd in de stofzuiger.	Voer de registratie van het gereedschap opnieuw uit. Als meer dan 10 gereedschappen zijn geregistreerd in de stofzuiger, wordt de eerste registratie van een gereedschap automatisch gewist.
	De stofzuiger heeft alle registraties van de gereedschappen gewist.	Voer de registratie van het gereedschap opnieuw uit.
	Geen voeding.	Voorzie het gereedschap en de stofzuiger van voeding.
	Het gereedschap en de stofzuiger staan te ver uit elkaar (buiten het zendbereik).	Plaats het gereedschap en de stofzuiger dicht bij elkaar. Het maximale zendbereik is ongeveer 10 meter, echter, dit kan verschillen afhankelijk van de omstandigheden.
	Radiostoring door andere apparaten die sterke radiogolven genereren.	Houd het gereedschap en de stofzuiger uit de buurt van apparaten zoals Wi-Fi-apparaten en magnetrons.
De stofzuiger is ingeschakeld terwijl het gereedschap niet in gebruik is.	Andere gebruikers gebruiken op hun gereedschap de functie voor draadloos inschakelen van de stofzuiger.	Schakel de knop voor draadloos inschakelen van de andere gereedschappen uit of annuleer de registratie van de andere gereedschappen.

ONDERHOUD

⚠ LET OP: Zorg altijd dat het gereedschap is uitgeschakeld en de accu ervan is verwijderd alvorens te beginnen met onderhoud of inspectie.

KENNISGEVING: Gebruik nooit benzine, wasbenzine, thinner, alcohol en dergelijke. Hierdoor kunnen verkleuring, vervormingen en barsten worden veroorzaakt.

Om de VEILIGHEID en BETROUWBAARHEID van het gereedschap te handhaven, dienen alle reparaties, onderhoud of afstellingen te worden uitgevoerd bij een erkend Makita-servicecentrum of de Makita-fabriek, en altijd met gebruik van Makita-ervangingsonderdelen.

Na het gebruik

Veeg met regelmatige intervallen het gereedschap af met een droge doek of een doek die licht bevochtigd is met zeepwater.

Het steunblok vervangen

Vervang het steunblok in de volgende gevallen.

- Wanneer het klittenband op het steunblok versleten is.
- Wanneer u het steunblok wilt veranderen van rechthoekig naar delta of vice versa.

1. Draai de schroeven los waarmee het steunblok en de zool zijn bevestigd en verwijder deze vanaf het

gereedschap.

► **Fig.40:** 1. Schroef 2. Steunblok 3. Zool

2. Vervang het/de huidige steunblok en zool door een ander(e) steunblok en zool.
3. Draai de schroeven stevig vast om de zool en het steunblok vast te zetten.

OPTIONELE ACCESSOIRES

⚠ LET OP: Deze accessoires of hulpstukken worden aanbevolen voor gebruik met het Makita gereedschap dat in deze gebruiksaanwijzing is beschreven. Bij gebruik van andere accessoires of hulpstukken bestaat het gevaar van persoonlijke letsel. Gebruik de accessoires of hulpstukken uitsluitend voor hun bestemde doel.

Wenst u meer bijzonderheden over deze accessoires, neem dan contact op met het plaatselijke Makita-servicecentrum.

- Klittenbandschuurpapier
- Steunschijfbeschermer
- Rechthoekig steunblok
- Deltasteunblok
- Stofzak
- Draagstel

- Beschermhoes
- Accuadapter
- Draadloos-eenheid
- Originele Makita accu's en acculaders

OPMERKING: Sommige items op de lijst kunnen zijn inbegrepen in de doos van het gereedschap als standaard toebehoren. Deze kunnen van land tot land verschillen.

ESPECIFICACIONES

Modelo:		BO005CG	BO006CG
Almohadilla equipada de serie		Almohadilla rectangular	Almohadilla delta
Papel abrasivo	Para almohadilla rectangular	80 mm x 130 mm	
	Para almohadilla delta	100 mm x 150 mm	
Órbitas por minuto		6.000 - 10.000 min ⁻¹	
Diámetro de las órbitas		3,0 mm	
Longitud total		236 mm	263 mm
Tensión nominal		36 V - 40 V CC máx.	
Peso neto *1		0,93 kg	

- Debido a nuestro continuado programa de investigación y desarrollo, las especificaciones aquí dadas están sujetas a cambios sin previo aviso.
- Las especificaciones pueden ser diferentes de país a país.
- El peso de acuerdo con el Procedimiento EPTA 01/2014 se muestra en la tabla.

*1: Peso sin ningún accesorio ni cartucho(s) de batería

Cartucho de batería y cargador aplicables

Cartucho de batería	BL4020* / BL4025* / BL4040* / BL4040F* / BL4050F / BL4080F * : Batería recomendada
Cargador	DC40RA / DC40RB / DC40RC / DC40WA

- Algunos de los cartuchos de batería y cargadores indicados arriba puede que no estén disponibles dependiendo de su región de residencia.

⚠ ADVERTENCIA: Utilice solamente los cartuchos de batería y cargadores indicados arriba. La utilización de cualquier otro cartucho de batería y cargador puede ocasionar heridas y/o un incendio.

Fuente de alimentación conectada por cable recomendada

Unidad portátil de alimentación eléctrica	PDC01 / PDC1200 / PDC1500
---	---------------------------

- La fuente o fuentes de alimentación conectadas por cable indicadas arriba puede que no estén disponibles dependiendo de su región de residencia.
- Antes de utilizar la fuente de alimentación conectada por cable, lea las instrucciones e indicaciones de precaución sobre ella.

Símbolos

A continuación se muestran los símbolos que pueden ser utilizados para el equipo. Asegúrese de que entiende su significado antes de utilizar.



Lea el manual de instrucciones.



Póngase protección para los ojos.



Preste cuidado y atención especiales.



Para reducir el riesgo de sufrir heridas, mantenga el cable alejado de obstáculos.



No haga mal uso del cable. Un cable dañado aumenta el riesgo de sufrir heridas.



Sólo para países de la Unión Europea
Debido a la presencia de componentes peligrosos en el equipo, el equipo eléctrico y electrónico, los acumuladores y las baterías desechados pueden tener un impacto negativo para el medioambiente y la salud humana.

¡No tire los aparatos eléctricos y electrónicos ni las baterías junto con los residuos domésticos!

De conformidad con las Directivas Europeas sobre residuos de aparatos eléctricos y electrónicos y sobre acumuladores y baterías y residuos de acumuladores y baterías, así como la adaptación de las mismas a la ley nacional, el equipo eléctrico, las baterías y los acumuladores desechados deberán ser almacenados por separado y trasladados a un punto distinto de recogida de desechos municipales, que cumpla con los reglamentos sobre protección medioambiental.

Esto se indica mediante el símbolo de cubo de basura tachado colocado en el equipo.

Uso previsto

La herramienta ha sido diseñada para lijar superficies grandes de madera, plástico y materiales metálicos, así como también superficies pintadas.

Ruido

El nivel de ruido A-ponderado típico determinado de acuerdo con la norma EN62841-2-4:

Modelo	Nivel de presión del sonido (L_{pA}): (dB (A))	Incertidumbre (K): (dB (A))
BO005CG	73	3
BO006CG	76	3

El nivel de ruido en situación de trabajo puede exceder 80 dB (A).

NOTA: El valor (o los valores) de emisión de ruido declarado ha sido medido de acuerdo con un método de prueba estándar y se puede utilizar para comparar una herramienta con otra.

NOTA: El valor (o valores) de emisión de ruido declarado también se puede utilizar en una valoración preliminar de exposición.

⚠ADVERTENCIA: Póngase protectores para oídos.

⚠ADVERTENCIA: La emisión de ruido durante la utilización real de la herramienta eléctrica puede variar del valor (o los valores) de emisión declarado dependiendo de las formas en las que la herramienta sea utilizada, especialmente qué tipo de pieza de trabajo se procesa.

⚠ADVERTENCIA: Asegúrese de identificar medidas de seguridad para proteger al operario que estén basadas en una estimación de la exposición en las condiciones reales de utilización (teniendo en cuenta todas las partes del ciclo operativo como las veces cuando la herramienta está apagada y cuando está funcionando en vacío además del tiempo de gatillo).

Vibración

El valor total de la vibración (suma de vectores triaxiales) determinado de acuerdo con la norma EN62841-2-4:

Modo de trabajo: lijado de placas metálicas

Modelo	Emisión de vibración ($a_{hv, AG}$): (m/s^2)	Incertidumbre (K): (m/s^2)
BO005CG	2,6	1,5
BO006CG	2,6	1,5

NOTA: El valor (o los valores) total de emisión de vibración declarado ha sido medido de acuerdo con un método de prueba estándar y se puede utilizar para comparar una herramienta con otra.

NOTA: El valor (o los valores) total de emisión de vibración declarado también se puede utilizar en una valoración preliminar de exposición.

⚠ADVERTENCIA: La emisión de vibración durante la utilización real de la herramienta eléctrica puede variar del valor (o los valores) de emisión declarado dependiendo de las formas en las que la herramienta sea utilizada, especialmente qué tipo de pieza de trabajo se procesa.

⚠ADVERTENCIA: Asegúrese de identificar medidas de seguridad para proteger al operario que estén basadas en una estimación de la exposición en las condiciones reales de utilización (teniendo en cuenta todas las partes del ciclo operativo como las veces cuando la herramienta está apagada y cuando está funcionando en vacío además del tiempo de gatillo).

Declaraciones de conformidad

Para países europeos solamente

Las declaraciones de conformidad están incluidas como Anexo A de este manual de instrucciones.

ADVERTENCIAS DE SEGURIDAD

Advertencias de seguridad para herramientas eléctricas en general

⚠ADVERTENCIA Lea todas las advertencias de seguridad, instrucciones, ilustraciones y especificaciones provistas con esta herramienta eléctrica. Si no sigue todas las instrucciones indicadas abajo, podrá resultar en una descarga eléctrica, un incendio y/o heridas graves.

Guarde todas las advertencias e instrucciones para futuras referencias.

El término "herramienta eléctrica" en las advertencias se refiere a su herramienta eléctrica de funcionamiento

con conexión a la red eléctrica (con cable) o herramienta eléctrica de funcionamiento a batería (sin cable).

Advertencias de seguridad para la lijadora

1. **Utilice siempre gafas de seguridad o gafas de protección. Las gafas normales o de sol NO son gafas de seguridad.**
2. **Sujete la herramienta firmemente.**
3. **No deje la herramienta en funcionamiento. Téngala la herramienta encendida solamente cuando la tenga en las manos.**
4. **Esta herramienta no es a prueba de agua; por lo tanto no utilice agua en la superficie de la pieza de trabajo.**
5. **Ventile adecuadamente su área de trabajo cuando realice operaciones de lijado.**
6. **Algunos materiales contienen sustancias químicas que podrán ser tóxicas. Tenga precaución para evitar la inhalación de polvo y el contacto con la piel. Siga los datos de seguridad del abastecedor del material.**
7. **La utilización de esta herramienta para lijar algunos productos, pinturas y madera podrá exponer al usuario a polvo que contenga sustancias peligrosas. Utilice protección respiratoria apropiada.**
8. **Asegúrese de que no hay grietas o roturas en la almohadilla antes de utilizarla. Las grietas o roturas pueden ocasionar heridas personales.**
9. **Observe el suelo donde pisa y mantenga su equilibrio con la herramienta. Asegúrese de que no haya nadie debajo cuando trabaje en lugares altos. Si se caen componentes de la herramienta/máquina desde una altura, pueden ocasionar heridas graves.**
10. **No utilice accesorios que no estén recomendados por el fabricante. La seguridad de los accesorios que no están recomendados por el fabricante no está asegurada aunque se puedan colocar en la herramienta.**
11. **Mantenga las manos y el cuerpo alejados de la parte inferior de la herramienta durante la utilización.**

GUARDE ESTAS INSTRUCCIONES.

⚠ ADVERTENCIA: NO deje que la comodidad o familiaridad con el producto (a base de utilizarlo repetidamente) sustituya la estricta observancia de las normas de seguridad para el producto en cuestión. El MAL USO o el no seguir las normas de seguridad establecidas en este manual de instrucciones podrá ocasionar graves heridas personales.

Advertencias de seguridad para el adaptador de batería

1. **Cuando el cable se caliente, deje de usar el producto y apague la herramienta/máquina. Deje que se enfríen antes de volver a empezar.**

2. **Cuando transporte la herramienta/máquina o la deje sin atender, retire el adaptador de la herramienta/máquina o suelte el portabatería de su cuerpo, etc.**
 - El cable se puede enganchar en personas u obstáculos cercanos y ocasionar heridas.
 - Podría tirar involuntariamente de la herramienta/máquina conectada a su cuerpo, y esto podría hacerle caer o que la herramienta/máquina se caiga, resultando en heridas.
3. **Mientras utilice el producto en lugares altos, use siempre una correa de seguridad.** Tenga en cuenta que una caída accidental de la herramienta/máquina puede afectar a su equilibrio y que habría un riesgo de que se cayese desde una altura.
4. **No guarde ni use este producto con el cable retorcido.** Un cable dañado o enredado puede aumentar el riesgo de una descarga eléctrica o incendio causado por un cortocircuito en el cableado.
5. **Inspeccione el cable y los componentes del producto por si hay alguna anomalía antes de usar.** Si detecta alguna anomalía, deje de usar el producto inmediatamente y solicite una reparación en un centro de servicio autorizado o de fábrica de Makita.

Instrucciones de seguridad importantes para el cartucho de batería

1. **Antes de utilizar el cartucho de batería, lea todas las instrucciones e indicaciones de precaución sobre (1) el cargador de baterías, (2) la batería, y (3) el producto con el que se utiliza la batería.**
2. **No desensamble ni manipule el cartucho de batería.** Podrá resultar en un incendio, calor excesivo, o una explosión.
3. **Si el tiempo de uso se acorta demasiado, cese la operación inmediatamente.** Podría resultar en un riesgo de recalentamiento, posibles quemaduras e incluso una explosión.
4. **Si entra electrólito en sus ojos, aclárelos con agua limpia y acuda a un médico inmediatamente.** Existe el riesgo de poder perder la vista.
5. **No cortocircuite el cartucho de batería:**
 - (1) **No toque los terminales con ningún material conductor.**
 - (2) **Evite guardar el cartucho de batería en un cajón junto con otros objetos metálicos, como clavos, monedas, etc.**
 - (3) **No exponga el cartucho de batería al agua ni a la lluvia.**

Un cortocircuito en la batería puede producir una gran circulación de corriente, un recalentamiento, posibles quemaduras e incluso una rotura de la misma.
6. **No guarde ni utilice la herramienta y el cartucho de batería en lugares donde la temperatura pueda alcanzar o exceder los 50 °C.**

7. **Nunca incinere el cartucho de batería incluso en el caso de que esté dañado seriamente o ya no sirva en absoluto. El cartucho de batería puede explotar si se tira al fuego.**
8. **No clave, corte, aplaste, lance, deje caer el cartucho de batería, ni golpee contra un objeto duro el cartucho de batería.** Tal conducta podrá resultar en un incendio, calor excesivo, o una explosión.
9. **No utilice una batería dañada.**
10. **Las baterías de litio-ion contenidas están sujetas a los requisitos de la Legislación para Materiales Peligrosos.**
Para transportes comerciales, p.ej., por terceras personas y agentes de transportes, se deberán observar requisitos especiales para el empaquetado y etiquetado.
Para la preparación del artículo que se va a enviar, se requiere consultar con un experto en materiales peligrosos. Por favor, observe también la posibilidad de reglamentos nacionales más detallados.
Cubra con cinta aislante o enmascare los contactos expuestos y empaquete la batería de tal manera que no se pueda mover alrededor dentro del embalaje.
11. **Para desechar el cartucho de batería, retírelo de la herramienta y deséchelo en un lugar seguro. Siga los reglamentos locales referentes al desecho de la batería.**
12. **Utilice las baterías solamente con los productos especificados por Makita.** La instalación de las baterías en productos no compatibles puede resultar en un incendio, calor excesivo, explosión, o fuga de electrolito.
13. **Si la herramienta no va a ser utilizada durante un periodo de tiempo largo, la batería deberá ser retirada de la herramienta.**
14. **Durante y después de la utilización, el cartucho de batería podrá acumular calor, lo cual puede ocasionar quemaduras o quemaduras de baja temperatura. Preste atención al manejo de cartuchos de batería calientes.**
15. **No toque el terminal de la herramienta inmediatamente después de utilizar, dado que puede calentarse lo suficiente como para ocasionar quemaduras.**
16. **No permita que virutas, polvo, o tierra se adhieran dentro de los terminales, orificios, y ranuras del cartucho de batería.** Esto podría ocasionar calentamiento, que coja fuego, reviente y un mal funcionamiento de la herramienta o el cartucho de batería, resultando en quemaduras o heridas personales.
17. **A menos que la herramienta pueda utilizarse cerca de cables eléctricos de alta tensión, no utilice el cartucho de batería cerca de cables eléctricos de alta tensión.** Podrá resultar en un mal funcionamiento o rotura de la herramienta o el cartucho de batería.
18. **Mantenga la batería alejada de los niños.**

GUARDE ESTAS INSTRUCCIONES.

⚠PRECAUCIÓN: Utilice solamente baterías genuinas de Makita. La utilización de baterías no genuinas de Makita, o baterías que han sido alteradas, puede resultar en una explosión de la batería ocasionando incendios, heridas personales y daños. También anulará la garantía de Makita para la herramienta y el cargador de Makita.

Consejos para alargar al máximo la vida de servicio de la batería

1. **Cargue el cartucho de batería antes de que se descargue completamente. Detenga siempre la operación y cargue el cartucho de batería cuando note menos potencia en la herramienta.**
2. **No cargue nunca un cartucho de batería que esté completamente cargado. La sobrecarga acortará la vida de servicio de la batería.**
3. **Cargue el cartucho de batería a temperatura ambiente de 10 °C - 40 °C. Si un cartucho de batería está caliente, déjelo enfriar antes de cargarlo.**
4. **Cuando no esté utilizando el cartucho de batería, retírelo de la herramienta o del cargador.**
5. **Cargue el cartucho de batería si no lo utiliza durante un periodo de tiempo prolongado (más de seis meses).**

Instrucciones de seguridad importantes para la unidad inalámbrica

1. **No desmonte o manipule la unidad inalámbrica.**
2. **Mantenga la unidad inalámbrica alejada de niños pequeños. Si se ingiere accidentalmente, solicite atención médica inmediatamente.**
3. **Utilice la unidad inalámbrica solamente con herramientas Makita.**
4. **No exponga la unidad inalámbrica a la lluvia o a condiciones que se pueda mojar.**
5. **No utilice la unidad inalámbrica en lugares donde la temperatura exceda los 50 °C.**
6. **No utilice la unidad inalámbrica en lugares donde se encuentren cerca instrumentos médicos, tales como marcapasos cardiacos.**
7. **No utilice la unidad inalámbrica en lugares donde se encuentren cerca dispositivos automatizados. Si la utiliza, los dispositivos automatizados podrán desarrollar un mal funcionamiento o error.**
8. **No utilice la unidad inalámbrica en lugares de temperatura alta o lugares donde se pueda generar electricidad estática o ruido eléctrico.**
9. **La unidad inalámbrica puede producir campos electromagnéticos (CEM), pero no son perjudiciales para el usuario.**
10. **La unidad inalámbrica es un instrumento de precisión. Tenga cuidado de no dejar caer o golpear la unidad inalámbrica.**
11. **Evite tocar el terminal de la unidad inalámbrica**

con las manos desnudas o materiales metálicos.

12. Retire siempre la batería del producto cuando vaya a instalar la unidad inalámbrica en él.
13. Cuando abra la tapa de la ranura, evite los lugares donde polvo y agua puedan entrar en la ranura. Mantenga siempre limpia la abertura de la ranura.
14. Inserte siempre la unidad inalámbrica en la dirección correcta.
15. No presione el botón de activación inalámbrica en la unidad inalámbrica con fuerza ni presione el botón con un objeto de borde cortante.
16. Cierre siempre la tapa de la ranura cuando esté realizando operaciones.
17. No retire la unidad inalámbrica de la ranura mientras se esté suministrando alimentación a la herramienta. Si lo hace podrá ocasionar un mal funcionamiento de la unidad inalámbrica.
18. No retire la etiqueta adhesiva de la unidad inalámbrica.
19. No ponga ninguna etiqueta adhesiva en la unidad inalámbrica.
20. No deje la unidad inalámbrica en un lugar donde se pueda generar electricidad estática o ruido eléctrico.
21. No deje la unidad inalámbrica en un lugar expuesto a mucho calor, tal como dentro de un automóvil aparcado al sol.
22. No deje la unidad inalámbrica en un lugar polvoriento o polvoroso o en un lugar donde se pueda generar gas corrosivo.
23. Un cambio repentino de la temperatura puede cubrir de rocío la unidad inalámbrica. No utilice la unidad inalámbrica hasta que el rocío se haya secado completamente.
24. Cuando limpie la unidad inalámbrica, frote con cuidado con un paño suave y seco. No utilice benzina, disolvente, grasa conductora o algo similar.
25. Cuando almacene la unidad inalámbrica, manténgala en la funda suministrada o en un contenedor libre de electricidad estática.
26. No inserte ningún dispositivo excepto la unidad inalámbrica de Makita en la ranura de la herramienta.
27. No utilice la herramienta con la tapa de la ranura dañada. Si entra en la ranura agua, polvo o suciedad puede ocasionar un mal funcionamiento.
28. No tire de la tapa de la ranura ni la retuerza más de lo necesario. Vuelva a colocar la tapa si se desprende de la herramienta.
29. Reemplaze la tapa de la ranura si se pierde o se daña.

GUARDE ESTAS INSTRUCCIONES.

DESCRIPCIÓN DEL FUNCIONAMIENTO

⚠PRECAUCIÓN: Asegúrese siempre de que la herramienta está apagada y el cartucho de batería retirado antes de realizar cualquier ajuste o comprobación en la herramienta.

Instalación o extracción del cartucho de batería

⚠PRECAUCIÓN: Apague siempre la herramienta antes de instalar o retirar el cartucho de batería.

⚠PRECAUCIÓN: Sujete la herramienta y el cartucho de batería firmemente cuando instale o retire el cartucho de batería. Si no sujeta la herramienta y el cartucho de batería firmemente podrán caérsele de las manos y resultar en daños a la herramienta y al cartucho de batería y heridas personales.

Para instalar el cartucho de batería, alinee la lengüeta del cartucho de batería con la ranura del alojamiento y deslícelo al interior hasta encajarlo en su sitio. Insértelo por completo hasta que se bloquee en su sitio con un pequeño chasquido. Si puede ver el indicador rojo como se muestra en la figura, no estará bloqueado completamente.

Para retirar el cartucho de batería, deslícelo de la herramienta mientras desliza el botón de la parte frontal del cartucho.

► **Fig.1:** 1. Indicador rojo 2. Botón 3. Cartucho de batería

⚠PRECAUCIÓN: Instale siempre el cartucho de batería completamente hasta que no pueda verse el indicador rojo. En caso contrario, podrá caerse accidentalmente de la herramienta y ocasionarle heridas a usted o a alguien que esté cerca de usted.

⚠PRECAUCIÓN: No instale el cartucho de batería empleando fuerza. Si el cartucho no se desliza al interior fácilmente, será porque no está siendo insertado correctamente.

Modo de indicar la capacidad de batería restante

Presione el botón de comprobación en el cartucho de batería para indicar la capacidad de batería restante. Las lámparas indicadoras se iluminan durante unos pocos segundos.

► **Fig.2:** 1. Lámparas indicadoras 2. Botón de comprobación

Lámparas indicadoras			Capacidad restante
Iluminada	Apagada	Parpadeando	
			75% a 100%
			50% a 75%
			25% a 50%
			0% a 25%
			Cargue la batería.
			Puede que la batería no esté funcionando bien.

NOTA: Dependiendo de las condiciones de utilización y de la temperatura ambiente, la indicación podrá variar ligeramente de la capacidad real.

NOTA: La primera lámpara indicadora (extremo izquierdo) parpadeará cuando el sistema de protección de la batería esté funcionando.

Accionamiento del interruptor

PRECAUCIÓN: Evite encender la herramienta mientras esté colocada encima de una pieza de trabajo o encima de su banco de trabajo. Podrá ocasionar heridas personales o daños.

Encendido y apagado de la herramienta

Presione el botón de alimentación para poner en marcha la herramienta.

Presione el botón de alimentación otra vez para parar la herramienta.

► **Fig.3:** 1. Botón de alimentación

Dial de ajuste de la velocidad

AVISO: Si la herramienta es utilizada continuamente a velocidades bajas durante largo tiempo, el motor se sobrecargará, resultando en un mal funcionamiento de la herramienta.

AVISO: El dial de ajuste de la velocidad se puede girar solamente hasta 5 y de vuelta a 1. No lo fuerce más allá de 5 o 1, o la función de ajuste de velocidad podrá dejar de funcionar.

La velocidad de rotación se puede cambiar girando el dial de ajuste de la velocidad. Se obtiene velocidad más alta cuando el dial es girado en la dirección del número 5. Y se obtiene velocidad más baja cuando es girado en la dirección del número 1.

Consulte la tabla para ver la relación entre los ajustes numéricos del dial y la velocidad de giro aproximada.

Número	Órbitas por minuto
1	6.000
2	6.500
3	8.000
4	9.500
5	10.000

► **Fig.4:** 1. Dial de ajuste de la velocidad

Función electrónica

La herramienta está equipada con la función (o funciones) electrónica siguiente para facilitar la operación.

Función de inicio suave

La función de inicio suave reduce la reacción del arranque.

Control de velocidad constante

Control de velocidad electrónico para obtener una velocidad constante.

Esta función permite un acabado fino porque la velocidad de la herramienta se mantiene constante incluso bajo carga.

Freno eléctrico

El freno eléctrico detiene la herramienta rápidamente por seguridad y comodidad de operación.

Función de prevención de reinicio de puesta en marcha accidental

Cuando se conecte cualquier fuente de alimentación (p. ej. el cartucho de batería) a la herramienta mientras esté presionando el botón de alimentación, la herramienta no se pondrá en marcha.

Para poner en marcha la herramienta, presione el botón de alimentación otra vez.

Sistema de protección de la herramienta / batería

La herramienta está equipada con un sistema de protección de la herramienta/batería. Este sistema corta automáticamente la alimentación al motor para alargar la vida de servicio de la herramienta y la batería. La herramienta se detendrá automáticamente durante la operación si la herramienta o la batería es puesta en una de las condiciones siguientes:

Protección contra sobrecarga

Cuando la herramienta o la batería sea operada de manera que le haga absorber una corriente anormalmente alta, la herramienta se detendrá automáticamente sin ninguna indicación. En esta situación, apague la herramienta y detenga la tarea que ocasiona la sobrecarga de la herramienta. Después encienda la herramienta para volver a empezar.

Protección contra el recalentamiento

Cuando la herramienta o la batería se recalienta, la herramienta se detiene automáticamente. En este caso,

deje que la herramienta y la batería se enfríen antes de encender la herramienta otra vez.

Protección contra descarga excesiva

Cuando la capacidad de batería no es suficiente, la herramienta se detiene automáticamente. En este caso, retire la batería de la herramienta y cargue la batería.

Protecciones contra otras causas

También hay un sistema de protección diseñado para otras causas que pueden dañar la herramienta y permite a la herramienta detenerse automáticamente. Realice todos los pasos siguientes para despejar las causas, cuando la herramienta haya sido llevada a una pausa temporal o a una parada en la operación.

1. Asegúrese de que todos los interruptores están en la posición apagada, y después encienda la herramienta otra vez para volver a empezar.
2. Cargue la(s) batería(s) o reemplácela(s) con una batería(s) recargada(s).
3. Deje que la herramienta y la(s) batería(s) se enfríen.

Si no se nota una mejora al restablecer el sistema de protección, póngase en contacto con el centro de servicio Makita local.

MONTAJE

⚠ PRECAUCIÓN: Asegúrese siempre de que la herramienta está apagada y el cartucho de batería retirado antes de realizar cualquier trabajo en la herramienta.

Instalación o desmontaje del salvaalmohadillas

El salvaalmohadillas evita el desgaste del fijador de gancho y lazo de la almohadilla.

1. Para instalar el salvaalmohadillas, retire toda la suciedad y materia extraña de la almohadilla.
 2. Coloque el salvaalmohadillas en la almohadilla alineando los agujeros de succión de polvo del salvaalmohadillas con los de la almohadilla.
- **Fig.5:** 1. Salvaalmohadillas 2. Almohadilla
3. Agujeros de succión de polvo

Cuando el fijador de gancho y lazo del salvaalmohadillas se desgaste, retírelo e instale uno nuevo.

Para retirar el salvaalmohadillas, despréndalo desde el borde.

Instalación o desmontaje del papel abrasivo

⚠ PRECAUCIÓN: Asegúrese de que el papel abrasivo está instalado firmemente antes de usar. De lo contrario, el papel abrasivo podrá soltarse fácilmente, lo que ocasionará que patine y resultar en una operación de lijado desigual.

⚠ PRECAUCIÓN: Asegúrese de que la almohadilla está instalada correcta y firmemente. Un accesorio flojo se desequilibrará y ocasionará una vibración excesiva que puede resultar en la pérdida del control.

⚠ PRECAUCIÓN: Asegúrese de que la almohadilla, el salvaalmohadillas y el papel abrasivo están alineados y sujetados firmemente.

⚠ PRECAUCIÓN: Utilice solamente papeles abrasivos. No utilice nunca papeles abrasivos autoadhesivos.

NOTA: El papel abrasivo también se puede colocar en la almohadilla directamente.

1. Retire toda la suciedad y materia extraña del salvaalmohadillas.
 2. Coloque una hoja abrasiva sobre el salvaalmohadillas.
 - Para una hoja abrasiva tipo papel con agujeros de succión de polvo, alinee los agujeros de succión de polvo del papel con los del salvaalmohadillas.
 - Para una hoja abrasiva tipo red, alinee el perímetro exterior con el salvaalmohadillas.
- **Fig.6:** 1. Hoja abrasiva 2. Salvaalmohadillas
3. Agujeros de succión de polvo

Para retirar la hoja abrasiva, despréndala desde el borde mientras sujeta el salvaalmohadillas para evitar que también se desprenda.

Protector

El protector evita que la almohadilla, la carcasa de la herramienta y la pared sean dañadas cuando se trabaja cerca de una pared.

► **Fig.7:** 1. Protector

Para instalar el protector, alinee la lengüeta del protector con la ranura, y empuje hacia dentro el protector. Para retirar el protector, tire del protector hacia delante mientras abre los enganches.

► **Fig.8:** 1. Protector 2. Ranura 3. Enganche

Instalación y desmontaje de la bolsa de polvo

Coloque el conjunto de bolsa de polvo en el conducto de polvo del extremo trasero del alojamiento del motor. Ponga la boca de entrada de polvo en el conducto de polvo a fondo hasta que se bloquee en su sitio.

Para retirar el conjunto de bolsa de polvo, sujete la tapa de polvo y tire de ella.

► **Fig.9:** 1. Conducto de polvo 2. Boca de entrada de polvo 3. Tapa de polvo 4. Bolsa de polvo

AVISO: No agarre la bolsa de polvo cuando transporte la herramienta. De lo contrario, la herramienta podrá caerse y dañarse.

Desechado del polvo

Para garantizar una recogida de polvo óptima, vacíe la bolsa de polvo cuando se llene hasta aproximadamente la mitad de su capacidad.

1. Retire la bolsa de polvo de la tapa de polvo mientras presiona ambos botones.
2. Golpee suavemente la parte inferior de la bolsa de polvo para vaciarla.

► **Fig.10:** 1. Bolsa de polvo 2. Tapa de polvo 3. Botón

Conexión a un aspirador

Cuando quiera realizar una operación de lijado limpia, conecte un aspirador Makita a su herramienta.

AVISO: Cuando utilice la herramienta con el aspirador de mochila, use siempre el manguito delantero (suministrado con la herramienta).

Hacerlo así reducirá la electricidad estática.

1. Retire el otro manguito de la manguera si está colocado en ella.
2. Rosque el manguito delantero suministrado con la herramienta en la manguera. Asegúrese de que el manguito delantero está roscado firmemente en la manguera.
3. Coloque el manguito delantero en el conducto de polvo de la herramienta.

Ponga el manguito delantero en el conducto de polvo a fondo y después gírelo fuertemente en la dirección de la flecha mostrada en la figura.

► **Fig.12:** 1. Conducto de polvo 2. Manguito delantero (suministrado con la herramienta)

Para aspirador que no sea tipo mochila

También puede conectar la manguera con el manguito delantero de 22 y el manguito delantero de 24. El manguito delantero de 22 y el manguito delantero de 24 son accesorios opcionales o suministrados con el aspirador.

► **Fig.13:** 1. Manguito delantero de 22 (accesorio opcional o suministrado con el aspirador)
2. Manguito delantero de 24 (accesorio opcional o suministrado con el aspirador)

Instalación o desmontaje del adaptador de batería

AVISO: Asegúrese de que no hay polvo acumulado en la conexión entre la herramienta y el adaptador de batería. La acumulación de polvo puede ocasionar un mal funcionamiento.

1. Para instalar el adaptador de batería, alinee la marca de flecha del adaptador de batería con la de la herramienta.
2. Inserte el adaptador de batería a fondo hasta que

se bloquee en su sitio con un pequeño chasquido.

► **Fig.14:** 1. Herramienta 2. Adaptador de batería
3. Marca de flecha

Para retirar el adaptador de batería, deslícelo mientras presiona hacia abajo ambos botones.

► **Fig.15:** 1. Botón

Colocación del adaptador de batería

PRECAUCIÓN: No utilice la herramienta si el cable de conexión está dañado.

AVISO: No haga mal uso del cable de conexión. No transporte la herramienta tirando del cable de conexión. Mantenga el cable de conexión alejado de calor, aceite, o bordes cortantes. De lo contrario, el cable de conexión podrá dañarse.

Cuelgue el adaptador de batería en el cinturón.

El sujetacables favorece el manejo del cable. Coloque el sujetacables si es necesario con un tornillo en el costado derecho o izquierdo del adaptador de batería.

► **Fig.16:** 1. Sujetacables

Brazalete

El brazalete resulta útil para el manejo del cable.

1. Póngase el brazalete en el brazo, y después ajuste la longitud del brazalete.
2. Presione hacia dentro el cable de conexión para meterlo en la abertura del soporte.

► **Fig.17:** 1. Brazalete 2. Soporte con la abertura

PRECAUCIÓN: No fuerce la abertura del soporte. En caso contrario podrá ocasionar una desviación y daños al mismo.

Banda de manguera

Incluida en el adaptador de batería con el cable de 5 m (accesorio opcional)

Cuando el aspirador se utilice conectado a la herramienta, la banda de manguera se puede usar para sujetar el cable en la manguera para evitar que se enrede.

Sujete el cable en la manguera con la banda de manguera a intervalos de aproximadamente 1 m como se muestra en la figura.

► **Fig.18:** 1. Banda de manguera 2. Cable
3. Manguera 4. Aproximadamente 1 m

OPERACIÓN

Operación de lijado

⚠PRECAUCIÓN: Asegúrese siempre de que la pieza de trabajo está sujeta firmemente.

⚠PRECAUCIÓN: Póngase máscara contra el polvo cuando trabaje con mucho polvo.

⚠PRECAUCIÓN: No toque el papel abrasivo cuando esté girando. En caso contrario, podrá resultar en heridas personales.

AVISO: No utilice nunca la herramienta sin el papel abrasivo. Podrá dañar seriamente el salvamohadillas o la almohadilla.

AVISO: No fuerce nunca la herramienta. Una presión excesiva podrá reducir la eficacia del lijado, dañar el papel abrasivo y/o acortar la vida de servicio de la herramienta.

AVISO: No utilice la herramienta para pulir. No coloque un accesorio de pulir, tal como una esponja, en la herramienta. De lo contrario, podrá producirse un mal funcionamiento.

Sujete la herramienta firmemente. Encienda la herramienta y espere hasta que adquiera la velocidad ajustada. Después coloque la herramienta con cuidado sobre la superficie de la pieza de trabajo. Mantenga la almohadilla a ras con la pieza de trabajo y no ejerza presión sobre la herramienta.

► Fig.19

Operación con el arnés

Accesorios opcionales

El arnés permite realizar la operación a la vez que transporta el adaptador de batería en su espalda. El mosquetón se puede colocar en el arnés. La herramienta se puede enganchar en el mosquetón usando el gancho. Para la instalación del gancho, consulte "Instalación del gancho".

► Fig.20: 1. Arnés 2. Mosquetón

Operación con la cubierta de protección

Accesorios opcionales

AVISO: Antes de seleccionar la cubierta de protección, asegúrese de que es compatible con su aspirador de mochila. La cubierta de protección solo se puede colocar en modelos específicos de aspirador de mochila.

Ejemplos de modelos compatibles:

- VC008G / GCV05
- VC009G / GCV06

Arriba se muestran varios ejemplos. Para más detalles, pregunte a nuestro centro de servicio si su aspirador de mochila es compatible con la cubierta de protección o no.

La cubierta de protección protege el aspirador de

mochila y el adaptador de batería, y permite realizar la operación a la vez que transporta el aspirador de mochila y el adaptador de batería en su espalda.

1. Retire los tornillos que sujetan el arnés del aspirador de mochila.

► Fig.21: 1. Aspirador de mochila 2. Arnés del aspirador de mochila 3. Tornillo

2. Envuelva el aspirador de mochila con la cubierta de protección (para aspirador de mochila).

► Fig.22: 1. Cubierta de protección (para aspirador de mochila)

3. Sujete el arnés del aspirador de mochila apretando los tornillos.

► Fig.23

4. Guarde las partes de la batería del adaptador de batería en la cubierta de protección (para el adaptador de batería), y después sujete la cubierta de protección (para el adaptador de batería) en el arnés como se muestra en la figura.

► Fig.24: 1. Cubierta de protección (para el adaptador de batería)

5. El mosquetón se puede colocar en el arnés. La herramienta se puede enganchar en el mosquetón usando el gancho. Para la instalación del gancho, consulte "Instalación del gancho".

► Fig.25: 1. Cubierta de protección (para el adaptador de batería) 2. Cubierta de protección (para aspirador de mochila) 3. Mosquetón

Instalación del gancho

⚠ADVERTENCIA: Utilice las partes para colgar/montar solo para el propósito que han sido pensadas, por ejemplo, colgar la herramienta de una correa para herramienta entre diferentes trabajos o intervalos de trabajo.

⚠ADVERTENCIA: Tenga cuidado de no sobrecargar el gancho con demasiada fuerza. De lo contrario, una sobrecarga irregular podrá ocasionar daños a la herramienta y resultar en heridas personales.

⚠PRECAUCIÓN: Cuando instale el gancho, sujételo siempre firmemente con el tornillo. Si no, el gancho podrá caerse de la herramienta y resultar en heridas personales.

⚠PRECAUCIÓN: Asegúrese de colgar la herramienta firmemente antes de soltarla de la mano. Un enganche insuficiente o desequilibrado puede ocasionar que se caiga y podría ocasionarle heridas.

⚠PRECAUCIÓN: Utilice un mosquetón que tenga suficiente resistencia. De lo contrario, el mosquetón podrá romperse y ocasionar heridas.

La herramienta se puede enganchar en el mosquetón usando el gancho.

► Fig.26: 1. Gancho 2. Mosquetón

El gancho se puede instalar en cualquiera de los costados de la herramienta. Para instalar el gancho, insértelo en el agujero de la herramienta, y después sujételo con un tornillo. Para retirarlo, afloje el tornillo y después

sáquelo.

► **Fig.27:** 1. Agujero 2. Gancho 3. Tornillo

FUNCIÓN DE ACTIVACIÓN INALÁMBRICA

Lo que puede hacer con la función de activación inalámbrica

La función de activación inalámbrica permite realizar una operación limpia y cómoda. Conectando un aspirador compatible a la herramienta, puede poner en marcha automáticamente el aspirador junto con la operación del interruptor de la herramienta.

► **Fig.28**

Para utilizar la función de activación inalámbrica, prepare los elementos siguientes:

- Una unidad inalámbrica (accesorio opcional)
- Un aspirador compatible con la función de activación inalámbrica

El resumen del ajuste de la función de activación inalámbrica es como sigue. Consulte cada sección para ver los procedimientos en detalle.

1. Instalación de la unidad inalámbrica
2. Registro de herramienta para el aspirador
3. Inicio de la función de activación inalámbrica

Instalación de la unidad inalámbrica

Accesorios opcionales

⚠PRECAUCIÓN: Ponga la herramienta sobre una superficie plana y estable cuando instale la unidad inalámbrica.

AVISO: Limpie el polvo y la suciedad de la herramienta antes de instalar la unidad inalámbrica. El polvo o la suciedad puede ocasionar un mal funcionamiento si entra en la ranura de la unidad inalámbrica.

AVISO: Para evitar el mal funcionamiento causado por la electricidad estática, toque un material en el que descarga la electricidad estática, tal como una parte metálica de la herramienta, antes de coger la unidad inalámbrica.

AVISO: Cuando instale la unidad inalámbrica, asegúrese siempre de que la unidad inalámbrica está insertada en la dirección correcta y que la tapa está completamente cerrada.

1. Abra la tapa de la herramienta como se muestra en la figura.

► **Fig.29:** 1. Tapa

2. Inserte la unidad inalámbrica en la ranura y después cierre la tapa.

Cuando inserte la unidad inalámbrica, alinee los salientes con las porciones embutidas de la ranura.

► **Fig.30:** 1. Unidad inalámbrica 2. Saliente 3. Tapa

4. Porción embutida

Cuando retire la unidad inalámbrica, abra la tapa despacio. Los ganchos de la parte trasera de la tapa alzarán la unidad inalámbrica a medida que usted levanta la tapa.

► **Fig.31:** 1. Unidad inalámbrica 2. Gancho 3. Tapa

Después de retirar la unidad inalámbrica, manténgala dentro de la funda suministrada o en un contenedor libre de electricidad estática.

AVISO: Utilice siempre los ganchos de la parte trasera de la tapa cuando retire la unidad inalámbrica. Si los ganchos no agarran la unidad inalámbrica, cierre la tapa completamente y ábrala despacio otra vez.

Registro de herramienta para el aspirador

NOTA: Para el registro de herramienta se requiere un aspirador Makita compatible con la función de activación inalámbrica.

NOTA: Termine de instalar la unidad inalámbrica en la herramienta antes de comenzar el registro de herramienta.

NOTA: Durante el registro de herramienta, no apriete el gatillo interruptor o active el interruptor de alimentación del aspirador.

NOTA: Consulte el manual de instrucciones del aspirador, también.

Si desea activar el aspirador junto con la operación del interruptor de la herramienta, termine el registro de herramienta de antemano.

1. Instale las baterías en el aspirador y la herramienta.

2. Ajuste el interruptor de espera del aspirador a "AUTO".

► **Fig.32:** 1. Interruptor de espera

3. Presione el botón de activación inalámbrica en el aspirador durante 3 segundos hasta que la lámpara de activación inalámbrica parpadee en verde. Y después presione el botón de activación inalámbrica en la herramienta de la misma manera.

► **Fig.33:** 1. Botón de activación inalámbrica
2. Lámpara de activación inalámbrica

Si el aspirador y la herramienta están vinculados correctamente, las lámparas de activación inalámbrica se iluminarán en verde durante 2 segundos y comenzarán a parpadear en azul.

NOTA: Las lámparas de activación inalámbrica dejarán de parpadear en verde después de transcurrir 20 segundos. Presione el botón de activación inalámbrica en la herramienta mientras la lámpara de activación inalámbrica en la aspiradora está parpadeando. Si la lámpara de activación inalámbrica no parpadea en verde, presione el botón de activación inalámbrica brevemente y manténgalo presionado otra vez.

NOTA: Cuando realice dos o más registros de herramienta para un aspirador, termine el registro de herramienta de uno en uno.

Inicio de la función de activación inalámbrica

NOTA: Termine el registro de herramienta para el aspirador antes de la activación inalámbrica.

NOTA: Consulte el manual de instrucciones del aspirador, también.

Después de registrar una herramienta en el aspirador, el aspirador se pondrá en marcha automáticamente junto con la operación del interruptor de la herramienta.

1. Instale la unidad inalámbrica en la herramienta.

2. Conecte la manguera del aspirador a la herramienta.

► **Fig.34**

3. Ajuste el interruptor de espera del aspirador a "AUTO".

► **Fig.35:** 1. Interruptor de espera

4. Presione el botón de activación inalámbrica en la herramienta brevemente. La lámpara de activación inalámbrica parpadeará en azul.

► **Fig.36:** 1. Botón de activación inalámbrica
2. Lámpara de activación inalámbrica

5. Encienda la herramienta. Compruebe si el aspirador está en marcha mientras la herramienta está funcionando.

Para detener la activación inalámbrica del aspirador, presione el botón de activación inalámbrica en la herramienta.

NOTA: La lámpara de activación inalámbrica en la herramienta dejará de parpadear en azul cuando no se realice ninguna operación durante 2 horas. En este caso, ajuste el interruptor de espera del aspirador a "AUTO" y presione el botón de activación inalámbrica en la herramienta otra vez.

NOTA: El aspirador se pone en marcha/se detiene con una demora. Hay un lapso de tiempo cuando el aspirador detecta una operación del interruptor de la herramienta.







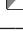


NOTA: La distancia de transmisión de la unidad inalámbrica puede variar dependiendo de la ubicación y las circunstancias circundantes.

NOTA: Cuando haya registradas dos o más herramientas en un aspirador, el aspirador podrá ponerse en marcha aunque usted no encienda la herramienta porque otro usuario está utilizando la función de activación inalámbrica.

Descripción del estado de la lámpara de activación inalámbrica

► **Fig.37:** 1. Lámpara de activación inalámbrica

La lámpara de activación inalámbrica muestra el estado de la función de activación inalámbrica. Consulte la tabla de abajo para ver el significado del estado de la lámpara.

Estado	Lámpara de activación inalámbrica				Descripción
	Color	 Encendida	 Parpadeando	Duración	
En espera	Azul			2 horas	La activación inalámbrica del aspirador está disponible. La lámpara se apagará automáticamente cuando no se realice ninguna operación durante 2 horas.
				Cuando la herramienta está en marcha.	La activación inalámbrica del aspirador está disponible y la herramienta está en marcha.
Registro de herramienta	Verde			20 segundos	Preparada para el registro de herramienta. Esperando para el registro en el aspirador.
				2 segundos	El registro de herramienta ha terminado. La lámpara de activación inalámbrica comenzará a parpadear en azul.
Cancelación del registro de herramienta	Rojo			20 segundos	Preparada para la cancelación del registro de herramienta. Esperando para la cancelación en el aspirador.
				2 segundos	La cancelación del registro de herramienta ha terminado. La lámpara de activación inalámbrica comenzará a parpadear en azul.
Otros	Rojo			3 segundos	La alimentación se suministra a la unidad inalámbrica y la función de activación inalámbrica se está poniendo en marcha.
	Apagada	-		-	La activación inalámbrica del aspirador está detenida.

Cancelación del registro de herramienta para el aspirador

Realice el procedimiento siguiente cuando vaya a cancelar el registro de herramienta para el aspirador.

1. Instale las baterías en el aspirador y la herramienta.

2. Ajuste el interruptor de espera del aspirador a "AUTO".

► **Fig.38:** 1. Interruptor de espera

3. Presione el botón de activación inalámbrica en el aspirador durante 6 segundos. La lámpara de activación inalámbrica parpadea en verde y después se vuelve roja. Después de esto, presione el botón de activación inalámbrica en la herramienta de la misma

manera.

- **Fig.39:** 1. Botón de activación inalámbrica
2. Lámpara de activación inalámbrica

Si la cancelación se realiza correctamente, las lámparas de activación inalámbrica se iluminarán en rojo durante 2 segundos y comenzarán a parpadear en azul.

NOTA: Las lámparas de activación inalámbrica dejarán de parpadear en rojo después de transcurrir 20 segundos. Presione el botón de activación inalámbrica en la herramienta mientras la lámpara de activación inalámbrica en la aspiradora está parpadeando. Si la lámpara de activación inalámbrica no parpadea en rojo, presione el botón de activación inalámbrica brevemente y manténgalo presionado otra vez.

Solución de problemas para la función de activación inalámbrica

Antes de solicitar reparaciones, realice su propia inspección en primer lugar. Si encuentra un problema que no está explicado en el manual, no intente desmontar la herramienta. En su lugar, pregunte en los centros de servicio autorizados Makita, utilizando siempre piezas de recambio Makita para las reparaciones.

Estado de anomalía	Causa probable (mal funcionamiento)	Remedio
La lámpara de activación inalámbrica no se ilumina/parpadea.	La unidad inalámbrica no está instalada en la herramienta. La unidad inalámbrica está instalada incorrectamente en la herramienta.	Instale la unidad inalámbrica correctamente.
	El terminal de la unidad inalámbrica y/o la ranura están sucios.	Retire con cuidado el polvo y la suciedad del terminal de la unidad inalámbrica y limpie la ranura.
	El botón de activación inalámbrica en la herramienta no ha sido presionado.	Presione el botón de activación inalámbrica en la herramienta brevemente.
	El interruptor de espera del aspirador no está ajustado a "AUTO".	Ajuste el interruptor de espera del aspirador a "AUTO".
	No se está suministrando alimentación.	Suministre alimentación a la herramienta y al aspirador.
No se puede terminar el registro de herramienta / cancelación del registro de herramienta correctamente.	La unidad inalámbrica no está instalada en la herramienta. La unidad inalámbrica está instalada incorrectamente en la herramienta.	Instale la unidad inalámbrica correctamente.
	El terminal de la unidad inalámbrica y/o la ranura están sucios.	Retire con cuidado el polvo y la suciedad del terminal de la unidad inalámbrica y limpie la ranura.
	El interruptor de espera del aspirador no está ajustado a "AUTO".	Ajuste el interruptor de espera del aspirador a "AUTO".
	No se está suministrando alimentación.	Suministre alimentación a la herramienta y al aspirador.
	Operación incorrecta	Presione el botón de activación inalámbrica brevemente y realice los procedimientos de registro/cancelación de herramienta otra vez.
	La herramienta y el aspirador están alejados uno del otro (fuera del rango de transmisión).	Ponga la herramienta y el aspirador más cerca uno del otro. La distancia de transmisión es de aproximadamente 10 m, sin embargo, podrá variar de acuerdo con las circunstancias.
	Antes de terminar el registro/cancelación de herramienta; - se aprieta el interruptor de la herramienta o; - se activa el botón de alimentación del aspirador.	Presione el botón de activación inalámbrica brevemente y realice los procedimientos de registro/cancelación de herramienta otra vez.
	Los procedimientos de registro de herramienta para la herramienta o el aspirador no han terminado.	Realice los procedimientos de registro de herramienta para la herramienta y el aspirador en el mismo momento.
Interferencia de radio de otros aparatos que generan ondas de radio de alta intensidad.	Mantenga la herramienta y el aspirador alejados de aparatos tales como dispositivos Wi-Fi y hornos de microondas.	

Estado de anomalía	Causa probable (mal funcionamiento)	Remedio
El aspirador no se pone en marcha junto con la operación del interruptor de la herramienta.	La unidad inalámbrica no está instalada en la herramienta. La unidad inalámbrica está instalada incorrectamente en la herramienta.	Instale la unidad inalámbrica correctamente.
	El terminal de la unidad inalámbrica y/o la ranura están sucios.	Retire con cuidado el polvo y la suciedad del terminal de la unidad inalámbrica y limpie la ranura.
	El botón de activación inalámbrica en la herramienta no ha sido presionado.	Presione el botón de activación inalámbrica brevemente y asegúrese de que la lámpara de activación inalámbrica está parpadeando en azul.
	El interruptor de espera del aspirador no está ajustado a "AUTO".	Ajuste el interruptor de espera del aspirador a "AUTO".
	Hay más de 10 herramientas registradas en el aspirador.	Realice el registro de herramienta otra vez. Si hay más de 10 herramientas registradas en el aspirador, la herramienta que más tiempo lleve registrada se cancelará automáticamente.
	El aspirador borró todos los registros de herramienta.	Realice el registro de herramienta otra vez.
	No se está suministrando alimentación.	Suministre alimentación a la herramienta y al aspirador.
	La herramienta y el aspirador están alejados uno del otro (fuera del rango de transmisión).	Ponga la herramienta y el aspirador más cerca uno del otro. La distancia de transmisión es de aproximadamente 10 m, sin embargo, podrá variar de acuerdo con las circunstancias.
	Interferencia de radio de otros aparatos que generan ondas de radio de alta intensidad.	Mantenga la herramienta y el aspirador alejados de aparatos tales como dispositivos Wi-Fi y hornos de microondas.
El aspirador se pone en marcha mientras la herramienta no está funcionando.	Otros usuarios están utilizando la activación inalámbrica del aspirador con sus herramientas.	Desactive el botón de activación inalámbrica de las otras herramientas o cancele el registro de herramienta de las otras herramientas.

MANTENIMIENTO

⚠PRECAUCIÓN: Asegúrese siempre de que la herramienta está apagada y de que el cartucho de batería está retirado antes de intentar hacer una inspección o mantenimiento.

AVISO: No utilice nunca gasolina, bencina, disolvente, alcohol o similares. Podría producir descoloración, deformación o grietas.

Para mantener la SEGURIDAD y FIABILIDAD del producto, las reparaciones, y cualquier otra tarea de mantenimiento o ajuste deberán ser realizadas en centros de servicio o de fábrica autorizados por Makita, empleando siempre repuestos Makita.

Después de la utilización

Limpie la herramienta con un paño seco o con un paño ligeramente humedecido con agua jabonosa a intervalos regulares.

Reemplazo de la almohadilla

Sustituya la almohadilla en los casos siguientes.

- Cuando el fijador de gancho y lazo de la almohadilla se desgaste.
- Cuando quiera cambiar la almohadilla de una rectangular a una delta o viceversa.

1. Afloje y retire los tornillos que sujetan la almohadilla y la base de la herramienta.

► **Fig.40:** 1. Tornillo 2. Almohadilla 3. Base

2. Sustituya la almohadilla y la base actuales con otra almohadilla y otra base.
3. Vuelva a apretar los tornillos firmemente para sujetar la almohadilla.

ACCESORIOS OPCIONALES

⚠PRECAUCIÓN: Estos accesorios o aditamentos están recomendados para su uso con la herramienta Makita especificada en este manual. El uso de cualquier otro accesorio o aditamento puede suponer un riesgo de heridas personales. Utilice el accesorio o aditamento solamente con la finalidad indicada para el mismo.

Si necesita cualquier ayuda para más detalles en relación con estos accesorios, pregunte al centro de servicio Makita local.

- Papel abrasivo (gancho y bucle)
- Salvaalmohadillas
- Almohadilla rectangular
- Almohadilla delta
- Bolsa colector de polvo
- Arnés
- Cubierta de protección
- Adaptador de batería
- Unidad inalámbrica

- Batería y cargador genuinos de Makita

NOTA: Algunos elementos de la lista podrán estar incluidos en el paquete de la herramienta como accesorios estándar. Pueden variar de un país a otro.

ESPECIFICAÇÕES

Modelo:	BO005CG	BO006CG
Almofada equipada de série	Almofada retangular	Almofada delta
Papel de lixa	Para almofada retangular	80 mm x 130 mm
	Para almofada delta	100 mm x 150 mm
Órbitas por minuto	6.000 - 10.000 min ⁻¹	
Diâmetro das órbitas	3,0 mm	
Comprimento total	236 mm	263 mm
Tensão nominal	C.C. 36 V - 40 V máx.	
Peso líquido *1	0,93 kg	

- Devido a um programa contínuo de pesquisa e desenvolvimento, estas especificações estão sujeitas a alteração sem aviso prévio.
- As especificações podem variar de país para país.
- O peso de acordo com o Procedimento EPTA 01/2014 é apresentado na tabela.

*1: Peso sem quaisquer acessórios ou bateria(s)

Bateria e carregador aplicável

Bateria	BL4020* / BL4025* / BL4040* / BL4040F* / BL4050F / BL4080F *: Bateria recomendada
Carregador	DC40RA / DC40RB / DC40RC / DC40WA

- Algumas das baterias e carregadores listados acima poderão não estar disponíveis, dependendo da sua região de residência.

⚠AVISO: Utilize apenas as baterias e carregadores listados acima. A utilização de quaisquer outras baterias e carregadores pode causar ferimentos e/ou um incêndio.

Fonte de alimentação ligada por fio recomendada

Adaptador de baterias tipo mochila	PDC01 / PDC1200 / PDC1500
------------------------------------	---------------------------

- A(s) fonte(s) de alimentação ligada(s) por fio listada(s) acima pode(m) não estar disponível(eis) dependendo da sua região de residência.
- Antes de utilizar a fonte de alimentação ligada por fio, leia as instruções e etiquetas de precaução na mesma.

Símbolos

A seguir são apresentados os símbolos que podem ser utilizados para o equipamento. Certifique-se de que compreende o seu significado antes da utilização.

	Leia o manual de instruções.
	Utilize proteção ocular.
	Tenha especial cuidado e atenção.
	Para reduzir o risco de lesão, mantenha o cabo afastado de obstáculos.
	Não force o cabo. Um cabo danificado aumenta o risco de ferimentos.



Ni-MH
Li-ion

Apenas para países da UE
Devido à presença de componentes perigosos no equipamento, os resíduos de equipamentos elétricos e eletrônicos, acumuladores e baterias podem ter um impacto negativo no meio ambiente e na saúde humana.

Não elimine aparelhos elétricos e eletrônicos ou baterias juntamente com resíduos domésticos!

De acordo com a Diretiva europeia relativa aos resíduos de equipamentos elétricos e eletrônicos, acumuladores e baterias, bem como a respetiva adaptação à legislação nacional, os resíduos de equipamentos elétricos e eletrônicos, acumuladores e baterias devem ser armazenados separadamente e entregues num ponto de recolha separado para resíduos municipais, que opere de acordo com os regulamentos de proteção ambiental.

Tal é indicado pelo símbolo de conteúdo de lixo com rodas barrado com uma cruz colocado no equipamento.

Utilização a que se destina

A ferramenta foi concebida para lixamento de grandes superfícies de materiais de madeira, plástico e metal assim como de superfícies pintadas.

Ruído

A característica do nível de ruído A determinado de acordo com a EN62841-2-4:

Modelo	Nível de pressão sonora (L_{pA}) : (dB (A))	Incerteza (K): (dB (A))
BO005CG	73	3
BO006CG	76	3

O nível de ruído durante o funcionamento pode exceder 80 dB (A).

NOTA: O(s) valor(es) da emissão de ruído indicado(s) foi medido de acordo com um método de teste padrão e pode ser utilizado para comparar duas ferramentas.

NOTA: O(s) valor(es) da emissão de ruído indicado(s) pode também ser utilizado na avaliação preliminar da exposição.

AVISO: Utilize protetores auriculares.

AVISO: A emissão de ruído durante a utilização real da ferramenta elétrica pode diferir do(s) valor(es) indicado(s), dependendo das formas como a ferramenta é utilizada, especialmente o tipo de peça de trabalho que é processada.

AVISO: Certifique-se de identificar as medidas de segurança para proteção do operador que sejam baseadas em uma estimativa de exposição em condições reais de utilização (considerando todas as partes do ciclo de operação, tal como quando a ferramenta está desligada e quando está a funcionar em marcha lenta além do tempo de acionamento).

Vibração

Valor total da vibração (soma vetorial tri-axial) determinado de acordo com a EN62841-2-4:

Modo de trabalho: lixamento de chapa metálica

Modelo	Emissão de vibração ($a_{h, A}$) : (m/s^2)	Incerteza (K): (m/s^2)
BO005CG	2,6	1,5
BO006CG	2,6	1,5

NOTA: O(s) valor(es) total(ais) de vibração indicado(s) foi medido de acordo com um método de teste padrão e pode ser utilizado para comparar duas ferramentas.

NOTA: O(s) valor(es) total(ais) de vibração indicado(s) pode também ser utilizado na avaliação preliminar da exposição.

AVISO: A emissão de vibração durante a utilização real da ferramenta elétrica pode diferir do(s) valor(es) indicado(s), dependendo das formas como a ferramenta é utilizada, especialmente o tipo de peça de trabalho que é processada.

AVISO: Certifique-se de identificar as medidas de segurança para proteção do operador que sejam baseadas em uma estimativa de exposição em condições reais de utilização (considerando todas as partes do ciclo de operação, tal como quando a ferramenta está desligada e quando está a funcionar em marcha lenta além do tempo de acionamento).

Declarações de conformidade

Apenas para os países europeus

As Declarações de conformidade estão incluídas no Anexo A deste manual de instruções.

AVISOS DE SEGURANÇA

Avisos gerais de segurança para ferramentas elétricas

AVISO Leia todos os avisos de segurança, instruções, ilustrações e especificações fornecidos com esta ferramenta elétrica. O incumprimento de todas as instruções abaixo enumeradas pode resultar em choque elétrico, incêndio e/ou ferimentos graves.

Guarde todos os avisos e instruções para futuras referências.

O termo "ferramenta elétrica" nos avisos refere-se às ferramentas elétricas ligadas à corrente elétrica (com cabo) ou às ferramentas elétricas operadas por meio de bateria (sem cabo).

Avisos de segurança sobre a lixadeira

1. Use sempre óculos de segurança ou de proteção. Os óculos normais ou de sol NÃO são óculos de segurança.
2. Segure a ferramenta com firmeza.
3. Não deixe a ferramenta a funcionar. Utilize a ferramenta apenas quando a estiver a segurar com a mão.
4. Esta ferramenta não é à prova de água, por isso, não utilize água na superfície da peça de trabalho.
5. Ventile a área de trabalho adequadamente quando executar operações de lixamento.
6. Alguns materiais contêm químicos que podem ser tóxicos. Tenha cuidado para evitar a inalação de pó e o contacto com a pele. Cumpra os dados de segurança do fornecedor do material.
7. A utilização da ferramenta para lixar determinados produtos, tintas e madeira pode expor

o utilizador ao pó contendo substâncias nocivas. Use proteção respiratória adequada.

8. Antes de utilizar a ferramenta, verifique se a almofada não apresenta fendas ou rachas. As fendas ou rachas podem provocar ferimentos pessoais.
9. Tenha cuidado e mantenha-se numa posição firme e equilibrada ao utilizar a ferramenta. Certifique-se de que ninguém está por baixo quando trabalhar em locais altos. Se deixar cair componentes da ferramenta/máquina de uma certa altura, tal pode causar ferimentos graves.
10. Não utilize os acessórios que não são recomendados pelo fabricante. A segurança dos acessórios que não são recomendados pelo fabricante não é assegurada mesmo que estes possam ser fixados.
11. Mantenha as mãos e o corpo afastados da parte inferior da ferramenta durante a utilização.

GUARDE ESTAS INSTRUÇÕES.

⚠️ AVISO: NÃO permita que o conforto ou familiaridade com o produto (adquirido com o uso repetido) substitua o cumprimento estrito das regras de segurança da ferramenta. A MÁ INTERPRETAÇÃO ou o não seguimento das regras de segurança estabelecidas neste manual de instruções pode provocar ferimentos pessoais graves.

Avisos de segurança do adaptador da bateria

1. Quando o cabo fica quente, deixe de utilizar o produto e desligue a ferramenta/máquina. Deixe-os arrefecer antes de efetuar um novo arranque.
2. Quando transportar a ferramenta/máquina ou deixar a ferramenta/máquina sem supervisão, remova o adaptador da ferramenta/máquina ou desapele o suporte da bateria do seu corpo, etc.
 - O cabo pode ficar preso em pessoas ou obstáculos nas proximidades e causar ferimentos.
 - Pode puxar inadvertidamente a ferramenta/máquina ligada ao seu corpo e tal pode levar a queda ou fazer com que a ferramenta/máquina caia, dando origem a ferimentos.
3. Enquanto estiver a utilizar o produto em lugares altos, utilize sempre um cinto de segurança. Tenha em conta que uma queda acidental da ferramenta/máquina pode afetar o seu equilíbrio e poderá existir o risco de queda de altura.
4. Não guarde nem opere este produto com o cabo torcido. Um cabo danificado ou emaranhado pode aumentar o risco de choque elétrico ou incêndio devido a um curto-circuito na cablagem.
5. Inspeccione os componentes do cabo e do produto quanto a quaisquer anomalias antes da utilização. Se forem detetadas quaisquer anomalias, deixe de utilizar o produto de imediato e

solicite uma reparação nos centros de assistência autorizado ou de fábrica da Makita.

Instruções de segurança importantes para a bateria

1. Antes de utilizar a bateria, leia todas as instruções e etiquetas de precaução no (1) carregador de bateria (2) bateria e (3) produto que utiliza a bateria.
2. Não desmonte ou manipule a bateria. Pode resultar num incêndio, em calor excessivo ou numa explosão.
3. Se o tempo de funcionamento se tornar excessivamente curto, pare o funcionamento imediatamente. Pode resultar em sobreaquecimento, possíveis queimaduras e mesmo explosão.
4. Se entrar eletrólito nos seus olhos, lave-os com água e consulte imediatamente um médico. Pode resultar em perda de visão.
5. Não coloque a bateria em curto-circuito:
 - (1) Não toque nos terminais com qualquer material condutor.
 - (2) Evite guardar a bateria juntamente com outros objetos metálicos tais como pregos, moedas, etc.
 - (3) Não exponha a bateria à água ou chuva. Um curto-circuito pode ocasionar um enorme fluxo de corrente, sobreaquecimento, possíveis queimaduras e mesmo estragar-se.
6. Não guarde nem utilize a ferramenta e a bateria em locais onde a temperatura pode atingir ou exceder 50 °C.
7. Não queime a bateria mesmo que esteja estragada ou completamente gasta. A bateria pode explodir no fogo.
8. Não pregue, corte, esmague, atire, deixe cair a bateria, nem bata a bateria contra um objeto rijo. Esta conduta pode resultar num incêndio, em calor excessivo ou numa explosão.
9. Não utilize uma bateria danificada.
10. As baterias de íões de lítio contidas na ferramenta são sujeitas aos requisitos da DGL (Dangerous Goods Legislation - Legislação de bens perigosos). Para o transporte comercial, por exemplo, por terceiros ou agentes de expedição, têm de ser observados os requisitos referentes à embalagem e etiquetagem. Para preparação do artigo a ser expedido, é necessário consultar um perito em materiais perigosos. Tenha ainda em conta a possibilidade de existirem regulamentos nacionais mais detalhados. Coloque fita-cola ou tape os contactos abertos e embale a bateria de tal forma que não possa mover-se dentro da embalagem.
11. Quando eliminar a bateria, remova-a da ferramenta e elimine-a num local seguro. Siga os regulamentos locais relacionados com a eliminação de baterias.
12. Utilize as baterias apenas com os produtos especificados pela Makita. Instalar as baterias em produtos não-conformes poderá resultar num

incêndio, calor excessivo, explosão ou fuga de eletrólito.

13. Se a ferramenta não for utilizada durante um período de tempo prolongado, a bateria deve ser removida da ferramenta.
14. Durante e após a utilização, a bateria pode aquecer, o que pode provocar queimaduras ou queimaduras a baixa temperatura. Preste atenção ao manuseamento de baterias quentes.
15. Não toque no terminal da ferramenta imediatamente após a utilização, pois pode ficar suficientemente quente para provocar queimaduras.
16. Não permita a adesão de aparas, pó ou sujidade nos terminais, nos orifícios e nas ranhuras da bateria. Poderá fazer com que a ferramenta ou a bateria aqueça, incendeie, rebente e avarie, resultando em queimaduras ou ferimentos corporais.
17. A menos que a ferramenta suporte a utilização perto de linhas elétricas de alta tensão, não utilize a bateria perto de linhas elétricas de alta tensão. Pode resultar no mau funcionamento ou na avaria da ferramenta ou bateria.
18. Mantenha a bateria afastada das crianças.

GUARDE ESTAS INSTRUÇÕES.

⚠️ PRECAUÇÃO: Utilize apenas baterias genuínas da Makita. A utilização de baterias não genuínas da Makita ou de baterias que foram alteradas, pode resultar no rebentamento da bateria provocando incêndios, ferimentos pessoais e danos. Além disso, anulará a garantia da Makita no que se refere à ferramenta e ao carregador Makita.

Conselhos para manter a máxima vida útil da bateria

1. Carregue a bateria antes que esteja completamente descarregada. Pare sempre o funcionamento da ferramenta e carregue a bateria quando notar menos poder na ferramenta.
2. Nunca carregue uma bateria completamente carregada. Carregamento excessivo diminui a vida útil da bateria.
3. Carregue a bateria à temperatura ambiente de 10 °C – 40 °C. Deixe que uma bateria quente arrefeça antes de a carregar.
4. Quando não utilizar a bateria, remova-a da ferramenta ou do carregador.
5. Carregue a bateria se não a utilizar durante um longo período de tempo (mais de seis meses).

Instruções de segurança importantes para a unidade sem fios

1. Não desmonte ou manipule a unidade sem fios.
2. Mantenha a unidade sem fios afastada das crianças. Se ocorrer a ingestão accidental, procure imediatamente cuidados médicos.
3. Utilize a unidade sem fios apenas com ferramentas Makita.
4. Não exponha a unidade sem fios à chuva ou a

condições húmidas.

5. Não utilize a unidade sem fios em locais onde a temperatura excede 50 °C.
6. Não utilize a unidade sem fios em locais próximos de instrumentos médicos, tais como estimuladores cardíacos.
7. Não utilize a unidade sem fios em locais próximos de dispositivos automatizados. Se utilizada, os dispositivos automatizados podem desenvolver anomalias ou erros.
8. Não utilize a unidade sem fios em locais sob temperaturas altas ou locais nos quais possa ser gerada eletricidade estática ou ruído elétrico.
9. A unidade sem fios pode produzir campos eletromagnéticos (CEM) mas estes não são nocivos para o utilizador.
10. A unidade sem fios é um instrumento preciso. Tenha cuidado para não deixar cair a unidade sem fios nem bater nesta.
11. Evite tocar no terminal da unidade sem fios com as mãos desprotegidas ou com materiais metálicos.
12. Retire sempre a bateria do produto quando instalar a unidade sem fios.
13. Quando abrir a tampa da ranhura, evite o local no qual a poeira e a água podem entrar para a ranhura. Mantenha sempre a entrada da ranhura limpa.
14. Insira sempre a unidade sem fios na direção correta.
15. Não pressione o botão de ativação sem fios na unidade sem fios com demasiada força e/ou pressione o botão com um objeto com aresta afiada.
16. Feche sempre a tampa da ranhura quando utilizar a ferramenta.
17. Não remova a unidade sem fios da ranhura enquanto estiver a ser fornecida alimentação elétrica à ferramenta. Fazê-lo pode causar a anomalia da unidade sem fios.
18. Não remova o adesivo da unidade sem fios.
19. Não coloque qualquer adesivo na unidade sem fios.
20. Não deixe a unidade sem fios num local em que possa ser gerada eletricidade estática ou ruído elétrico.
21. Não deixe a unidade sem fios num local sujeito a calor intenso, tal como um veículo exposto ao sol.
22. Não deixe a unidade sem fios num local poeirento ou pulverulento ou num local onde possa ser gerado gás corrosivo.
23. A mudança súbita da temperatura pode molhar a unidade sem fios com condensação. Não utilize a unidade sem fios até que a condensação esteja completamente seca.
24. Quando limpar a unidade sem fios, limpe-a suavemente com um pano macio e seco. Não utilize benzina, diluente, massa lubrificante condutora ou similar.
25. Quando armazenar a unidade sem fios, guarde-a na caixa fornecida ou num recipiente anti-estática.

26. Não insira quaisquer dispositivos diferentes da unidade sem fios Makita na ranhura na ferramenta.
27. Não utilize a ferramenta com a tampa da ranhura danificada. A entrada de água, poeira e sujidade na ranhura pode causar o mau funcionamento.
28. Não puxe e/ou torça a tampa da ranhura além do necessário. Recoloque a tampa se esta sair da ferramenta.
29. Substitua a tampa da ranhura se a perder ou danificar.

GUARDE ESTAS INSTRUÇÕES.

DESCRIÇÃO FUNCIONAL

⚠️ PRECAUÇÃO: Certifique-se sempre de que a ferramenta está desligada e a bateria foi retirada antes de regular ou verificar qualquer função na ferramenta.

Instalação ou remoção da bateria

⚠️ PRECAUÇÃO: Desligue sempre a ferramenta antes de colocar ou retirar a bateria.

⚠️ PRECAUÇÃO: Segure firmemente a ferramenta e a bateria quando instalar ou remover a bateria. Se não segurar firmemente a ferramenta e a bateria pode fazer com que escorreguem das suas mãos resultando em danos na ferramenta e na bateria e ferimentos pessoais.

Para instalar a bateria, alinhe a lingueta na bateria com a ranhura na caixa e deslize-a para a posição correta. Insira-a por completo até bloquear na posição correta com um pequeno clique. Se conseguir ver o indicador vermelho conforme apresentado na figura, não está completamente bloqueada.

Para retirar a bateria, deslize-a para fora da ferramenta enquanto desliza o botão na frente da bateria.

► **Fig.1:** 1. Indicador vermelho 2. Botão 3. Bateria

⚠️ PRECAUÇÃO: Instale sempre a bateria até ao fim, até deixar de ver o indicador vermelho.



















Caso contrário, a bateria poderá cair da ferramenta acidentalmente e provocar ferimentos em si mesmo ou em alguém próximo.

⚠️ PRECAUÇÃO: Não instale a bateria à força. Se a bateria não deslizar facilmente é porque não foi colocada corretamente.

Indicação da capacidade restante da bateria

Prima o botão de verificação na bateria para indicar a capacidade restante da bateria. As luzes indicadoras acendem durante alguns segundos.

► **Fig.2:** 1. Luzes indicadoras 2. Botão de verificação

Luzes indicadoras			Capacidade restante
 Aceso	 Apagado	 A piscar	
			75% a 100%
			50% a 75%
			25% a 50%
			0% a 25%
			Carregar a bateria.
			A bateria pode estar avariada.
			

NOTA: Dependendo das condições de utilização e da temperatura ambiente, a indicação pode ser ligeiramente diferente da capacidade real.

NOTA: A primeira luz indicadora (extremo esquerdo) pisca quando o sistema de proteção da bateria funciona.

Ação do interruptor

⚠️ PRECAUÇÃO: Evite ligar a ferramenta enquanto estiver colocada na peça de trabalho ou na sua bancada de trabalho. Tal pode causar ferimentos pessoais ou danos.

Ligar e desligar a ferramenta

Pressione o botão de alimentação para arrancar a ferramenta.

Pressione o botão de alimentação novamente para parar a ferramenta.

► **Fig.3:** 1. Botão de alimentação

Botão rotativo de regulação da velocidade

OBSERVAÇÃO: Se a ferramenta for utilizada continuamente em velocidades baixas durante muito tempo, o motor fica sobrecarregado resultando em avaria da ferramenta.

OBSERVAÇÃO: O botão rotativo de regulação da velocidade só pode ser rodado até um máximo de 5 e novamente até ao 1. Não o force para uma posição além do 5 ou do 1, caso contrário, a função de regulação da velocidade pode deixar de funcionar.

A velocidade de rotação pode ser alterada ao rodar o botão rotativo de regulação da velocidade. Obtém-se uma velocidade maior quando o botão rotativo é rodado em direção ao número 5. E obtém-se uma velocidade menor quando é rodado em direção ao número 1. Refira-se à tabela para ficar a saber a relação entre as definições dos números no botão rotativo e a

velocidade de rotação aproximada.

Número	Órbitas por minuto
1	6.000
2	6.500
3	8.000
4	9.500
5	10.000

► **Fig.4:** 1. Botão rotativo de regulação da velocidade

Função eletrónica

A ferramenta está equipada com a(s) seguinte(s) função(ões) eletrónica(s) para uma fácil operação.

Funcionalidade de arranque suave

A funcionalidade de arranque suave reduz o choque de arranque.

Controlo de velocidade constante

Controlo de velocidade eletrónico para obtenção da velocidade constante.

Esta funcionalidade permite o acabamento fino porque a velocidade da ferramenta permanece constante mesmo sob carga.

Travão elétrico

O travão elétrico para a ferramenta rapidamente por motivos de segurança e para uma operação conveniente.

Função de prevenção de reinício acidental

Quando qualquer fonte de alimentação (por exemplo, a bateria, etc.) está ligada à ferramenta enquanto pressiona o botão de alimentação, a ferramenta não arranca.

Para arrancar a ferramenta, pressione novamente o botão de alimentação.

Sistema de proteção da ferramenta/bateria

A ferramenta está equipada com um sistema de proteção da ferramenta/bateria. Este sistema corta automaticamente a corrente para o motor para aumentar a vida da ferramenta e da bateria. A ferramenta para automaticamente durante o funcionamento se a ferramenta ou bateria for colocada mediante uma das seguintes condições:

Proteção contra sobrecarga

Quando a ferramenta ou a bateria é operada de tal forma que a faça retirar uma corrente anormalmente alta, a ferramenta para automaticamente sem qualquer indicação. Nesta situação, desligue a ferramenta e pare a aplicação que fez com que a ferramenta ficasse sobrecarregada. Depois, ligue a ferramenta para reiniciar.

Proteção contra sobreaquecimento

Quando a ferramenta ou a bateria estiver sobreaquecida, a ferramenta para automaticamente. Nesta situação, deixe a ferramenta e a bateria arrefecerem antes de voltar a ligar a ferramenta.

Proteção contra descarga excessiva

Quando a capacidade da bateria não é suficiente, a ferramenta para automaticamente. Neste caso, retire a bateria da ferramenta e carregue-a.

Proteções contra outras causas

O sistema de proteção foi também concebido para outras causas que possam danificar a ferramenta e permite à ferramenta parar automaticamente. Tome todas as medidas que se seguem para eliminar as causas quando a ferramenta tiver parado ou interrompido temporariamente a operação.

1. Certifique-se de que todos os interruptores estão na posição de desligado e, em seguida, ligue novamente a ferramenta para voltar a arrancar.
2. Carregue a(s) bateria(s) ou substitua-a(s) por bateria(s) recarregada(s).
3. Deixe a ferramenta e a(s) bateria(s) arrefecerem.

Se não for possível constatar qualquer melhoria através do restauro do sistema de proteção, contacte o centro de assistência Makita local.

MONTAGEM

⚠PRECAUÇÃO: Certifique-se sempre de que a ferramenta está desligada e a bateria retirada antes de executar qualquer trabalho na ferramenta.

Instalar ou remover o protetor da almofada

O protetor da almofada evita o desgaste do fecho de gancho e laço na almofada.

1. Para instalar o protetor da almofada, remova toda a sujidade e matérias estranhas da almofada.
2. Fixe o protetor da almofada na almofada alinhando os orifícios de sucção de pó no protetor da almofada com os orifícios na almofada.

- **Fig.5:** 1. Protetor da almofada 2. Almofada 3. Orifícios de sucção de pó

Quando o fecho de gancho e laço no protetor da almofada fica desgastado, remova o protetor da almofada e instale um novo.

Para remover o protetor da almofada, descole o protetor da almofada da extremidade.

Instalar ou remover o papel de lixa

⚠️ PRECAUÇÃO: Certifique-se de que o papel de lixa está firmemente instalado antes da utilização. Caso contrário, o papel de lixa pode ser facilmente removido o que causa deslizamento e dá origem a uma operação de lixamento irregular.

⚠️ PRECAUÇÃO: Certifique-se de que a almofada está correta e firmemente instalada. Uma fixação solta ficará desequilibrada e provocará uma vibração excessiva, dando origem a perda de controlo.

⚠️ PRECAUÇÃO: Certifique-se de que uma almofada, um protetor da almofada e um papel de lixa estão alinhados e firmemente fixados.

⚠️ PRECAUÇÃO: Utilize apenas papéis de lixa. Nunca utilize papéis de lixa sensíveis à pressão.

NOTA: O papel de lixa também pode ser diretamente fixado na almofada.

1. Remova toda a sujidade e matérias estranhas do protetor da almofada.
 2. Fixe uma folha de lixa no protetor da almofada.
 - Para a folha de lixa tipo papel com orifícios de sucção de pó, alinhe os orifícios de sucção de pó no papel com os orifícios no protetor da almofada.
 - Para a folha de lixa tipo rede, alinhe o formato exterior com o protetor da almofada.
- ▶ **Fig.6:** 1. Folha de lixa 2. Protetor da almofada 3. Orifícios de sucção de pó

Para remover a folha de lixa, descole a folha de lixa da extremidade enquanto segura o protetor da almofada para evitar que este seja descolado em conjunto.

Protetor

O protetor impede que a almofada, a caixa da ferramenta e a parede fiquem danificadas quando se trabalha junto a uma parede.

▶ **Fig.7:** 1. Protetor

Para instalar o protetor, alinhe a lingueta do protetor com o encaixe e empurre o protetor para dentro. Para remover o protetor, puxe o protetor para a frente enquanto abre os trincos.

▶ **Fig.8:** 1. Protetor 2. Encaixe 3. Trinco

Instalar e remover o saco para pó

Fixe o conjunto do saco para pó sobre o bico do pó na extremidade traseira da caixa do motor. Coloque a entrada de pó no bico do pó por completo até bloquear no devido lugar.

Para remover o conjunto do saco para pó, segure e puxe a tampa de pó.

▶ **Fig.9:** 1. Bico para pó 2. Entrada de pó 3. Tampa de pó 4. Saco para pó

OBSERVAÇÃO: Não segure o saco para pó quando transportar a ferramenta. Caso contrário, a ferramenta pode cair e ficar danificada.

Eliminar o pó

Para garantir uma recolha de pó ideal, esvazie o saco para pó quando este ficar cheio em aproximadamente metade da sua capacidade.

1. Remova o saco para pó da tampa de pó enquanto pressiona os dois botões.

2. Bata suavemente na parte inferior do saco para pó para esvaziar.

▶ **Fig.10:** 1. Saco para pó 2. Tampa de pó 3. Botão

Ligar ao aspirador

Quando pretender efetuar uma operação de lixamento limpa, ligue um aspirador da Makita à sua ferramenta.

OBSERVAÇÃO: Quando operar a ferramenta com o aspirador costal, utilize sempre a bainha frontal (fornecida com a ferramenta). Se o fizer, irá reduzir a eletricidade estática.

1. Remova a outra bainha da mangueira se esta estiver fixada.
 2. Aparafuse a bainha frontal fornecida com a ferramenta na mangueira. Certifique-se de que a bainha frontal está firmemente aparafusada na mangueira.
- ▶ **Fig.11:** 1. Bainha frontal (fornecida com a ferramenta) 2. Mangueira 3. Aspirador 4. Outra bainha
3. Fixe a bainha frontal sobre o bico do pó da ferramenta.

Coloque a bainha frontal no bico do pó por completo e, em seguida, rode a bainha frontal firmemente na seta conforme apresentado na figura.

▶ **Fig.12:** 1. Bico do pó 2. Bainha frontal (fornecida com a ferramenta)

Para o aspirador que não é do tipo costal

Também pode ligar a mangueira com a bainha frontal 22 e a bainha frontal 24. A bainha frontal 22 e a bainha frontal 24 são acessórios opcionais ou são fornecidas com o aspirador.

▶ **Fig.13:** 1. Bainha frontal 22 (acessório opcional ou fornecida com o aspirador) 2. Bainha frontal 24 (acessório opcional ou fornecida com o aspirador)

Instalar ou remover o adaptador da bateria

OBSERVAÇÃO: Certifique-se de que não existe qualquer acumulação de pó na ligação entre a ferramenta e o adaptador da bateria. A acumulação de pó pode provocar uma avaria.

1. Para instalar o adaptador da bateria, alinhe a marca da seta no adaptador da bateria com a marca da ferramenta.

2. Insira o adaptador da bateria por completo até bloquear na devida posição com um pequeno clique.

▶ **Fig.14:** 1. Ferramenta 2. Adaptador da bateria 3. Marca da seta

Para remover o adaptador da bateria, deslize o adaptador da bateria para fora enquanto pressiona os dois

botões.

► **Fig.15:** 1. Botão

Instalar o adaptador da bateria

⚠PRECAUÇÃO: Não utilize a ferramenta se o cabo de ligação estiver danificado.

OBSERVAÇÃO: Não force o cabo de ligação. Não transporte a ferramenta puxando pelo cabo de ligação. Mantenha o cabo de ligação afastado do calor, de óleo ou de extremidades afiadas. Caso contrário, o cabo de ligação pode ficar danificado.

Pendure o adaptador da bateria no cinto da cintura. O suporte do cabo ajuda no manuseamento do cabo. Fixe o suporte do cabo se necessário com um parafuso à direita ou à esquerda do adaptador da bateria.

► **Fig.16:** 1. Suporte do cabo

Braçadeira

A braçadeira é conveniente para o manuseamento do cabo.

1. Coloque a braçadeira no seu braço e, em seguida, ajuste o comprimento da braçadeira.
2. Pressione o cabo de ligação por meio da abertura do suporte.

► **Fig.17:** 1. Braçadeira 2. Suporte com a abertura

⚠PRECAUÇÃO: Não force a abertura do suporte. O incumprimento desta instrução pode provocar deflexão e danificá-lo.

Faixa da mangueira

Incluída no adaptador da bateria com um cabo de 5 m (acessório opcional)

Quando utilizar o aspirador ligado à ferramenta, a faixa da mangueira pode ser utilizada para segurar o cabo e a mangueira para evitar o emaranhamento.

Segure o cabo e a mangueira com a faixa da mangueira em intervalos de aproximadamente 1 m conforme apresentado na figura.

► **Fig.18:** 1. Faixa da mangueira 2. Cabo 3. Mangueira 4. Aproximadamente 1 m

OPERAÇÃO

Operação de lixamento

⚠PRECAUÇÃO: Certifique-se sempre de que a peça de trabalho está firmemente fixada.

⚠PRECAUÇÃO: Utilize uma máscara anti-poeira quando trabalhar com tanto pó.

⚠PRECAUÇÃO: Não toque no papel de lixa rotativo. O incumprimento desta instrução pode provocar ferimentos pessoais.

OBSERVAÇÃO: Nunca utilize a ferramenta sem o papel de lixa. Pode danificar gravemente o protetor da almofada ou a almofada.

OBSERVAÇÃO: Nunca force a ferramenta. Uma pressão excessiva pode reduzir a eficiência de lixamento, danificar o papel de lixa e/ou reduzir a vida útil da ferramenta.

OBSERVAÇÃO: Não utilize a ferramenta para polimento. Não fixe um acessório de polimento como uma esponja na ferramenta. Caso contrário, pode ocorrer uma avaria.

Segure firmemente a ferramenta. Ligue a ferramenta e aguarde até esta atingir a velocidade ajustada. Em seguida, coloque suavemente a ferramenta sobre a superfície da peça de trabalho. Mantenha a almofada nivelada com a peça de trabalho e não pressione a ferramenta.

► **Fig.19**

Operação com a cablagem

Acessório opcional

A cablagem permite a operação enquanto transporta o adaptador da bateria nas suas costas.

O mosquetão pode ser fixado na cablagem. A ferramenta pode ser enganchada no mosquetão utilizando o gancho. Para a instalação do gancho, consulte a seção "Instalar o gancho".

► **Fig.20:** 1. Cablagem 2. Mosquetão

Operação com a tampa de proteção

Acessório opcional

OBSERVAÇÃO: Antes de selecionar a tampa de proteção, certifique-se de que a tampa de proteção é compatível com o seu aspirador costal.

A tampa de proteção apenas pode ser fixada nos modelos específicos do aspirador costal.

Exemplos do modelo compatível:

— VC008G / GCV05

— VC009G / GCV06

Acima está uma parte dos exemplos. Para obter informações, entre em contacto com o nosso centro de assistência para saber se o seu aspirador costal é ou não compatível com a tampa de proteção.

A tampa de proteção protege o aspirador costal e o adaptador da bateria, e permite a operação com o transporte do aspirador costal e do adaptador da bateria em conjunto nas suas costas.

1. Remova os parafusos que fixam a cablagem do aspirador costal.

► **Fig.21:** 1. Aspirador costal 2. Cablagem do aspirador costal 3. Parafuso

2. Cubra o aspirador costal com a tampa de proteção (para aspirador costal).

► **Fig.22:** 1. Tampa de proteção (para aspirador costal)

3. Fixe a cablagem do aspirador costal apertando os parafusos.

► **Fig.23**

4. Guarde as peças da bateria do adaptador da bateria na tampa de proteção (para o adaptador da bateria) e, em seguida, amarre a tampa de proteção (para o adaptador da bateria) na cablagem conforme apresentado na figura.

► **Fig.24:** 1. Tampa de proteção (para o adaptador da bateria)

5. O mosquetão pode ser fixado na cablagem. A ferramenta pode ser enganchada no mosquetão utilizando o gancho. Para a instalação do gancho, consulte a secção "Instalar o gancho".

► **Fig.25:** 1. Tampa de proteção (para o adaptador da bateria) 2. Tampa de proteção (para aspirador costal) 3. Mosquetão

Instalar o gancho

AVISO: Utilize as peças de suspensão/montagem exclusivamente para as respetivas finalidades, por exemplo, pendurar a ferramenta num cinto de ferramentas entre trabalhos ou intervalos de trabalho.

AVISO: Tenha cuidado para não sobrecarregar o gancho com muita força. Caso contrário, a sobrecarga irregular pode causar danos na ferramenta que resultam em ferimentos pessoais.

PRECAUÇÃO: Quando instalar o gancho, fixe-o sempre firmemente com o parafuso. Caso contrário, o gancho sai da ferramenta, resultando em lesão física.

PRECAUÇÃO: Certifique-se de que pendura a ferramenta em segurança antes de soltá-la. Enganchar de forma insuficiente ou desequilibrada poderá causar quedas e poderá ferir-se.

PRECAUÇÃO: Utilize o mosquetão que tem força suficiente. Caso contrário, o mosquetão pode partir e provocar ferimentos.

A ferramenta pode ser enganchada no mosquetão utilizando o gancho.

► **Fig.26:** 1. Gancho 2. Mosquetão

O gancho pode ser instalado em ambos os lados da ferramenta. Para instalar o gancho, insira-o no orifício na ferramenta e, em seguida, fixe o gancho com um parafuso. Para remover, solte o parafuso e, em seguida, retire-o.

► **Fig.27:** 1. Orifício 2. Gancho 3. Parafuso

FUNÇÃO DE ATIVAÇÃO SEM FIOS

O que pode fazer com a função de ativação sem fios

A função de ativação sem fios possibilita um funcionamento limpo e confortável. Ao ligar um aspirador suportado à ferramenta, pode utilizar o aspirador automaticamente juntamente com o funcionamento por interruptor

da ferramenta.

► **Fig.28**

Para utilizar a função de ativação sem fios, prepare os seguintes itens:

- Uma unidade sem fios (acessório opcional)
- Um aspirador que suporta a função de ativação sem fios

A vista geral da definição da função de ativação sem fios é a seguinte. Consulte cada secção para obter os procedimentos detalhados.

1. Instalar a unidade sem fios
2. Registo da ferramenta para o aspirador
3. Iniciar a função de ativação sem fios

Instalar a unidade sem fios

Acessório opcional

PRECAUÇÃO: Coloque a ferramenta num superfície plana e estável quando instalar a unidade sem fios.

OBSERVAÇÃO: Limpe a poeira e a sujidade da ferramenta antes de instalar a unidade sem fios. A poeira ou a sujidade podem causar o mau funcionamento caso entrem na ranhura da unidade sem fios.

OBSERVAÇÃO: Para evitar o mau funcionamento causado pela estática, toque num material de descarga estática, tal como uma peça metálica da ferramenta, antes de pegar na unidade sem fios.

OBSERVAÇÃO: Quando instalar a unidade sem fios, certifique-se sempre de que a unidade sem fios é inserida na direção correta e que a tampa está completamente fechada.

1. Abra a tampa da ferramenta conforme ilustrado na figura.

► **Fig.29:** 1. Tampa

2. Insira a unidade sem fios na ranhura e feche a tampa, em seguida.

Quando inserir a unidade sem fios, alinhe as projeções com as partes encaixadas na ranhura.

► **Fig.30:** 1. Unidade sem fios 2. Projeção 3. Tampa 4. Parte encaixada

Quando remover a unidade sem fios, abra a tampa lentamente. Os ganchos na parte traseira da tampa elevam a unidade sem fios à medida que puxa a tampa para cima.

► **Fig.31:** 1. Unidade sem fios 2. Gancho 3. Tampa

Após remover a unidade sem fios, guarde-a na caixa fornecida ou num recipiente anti-estática.

OBSERVAÇÃO: Utilize sempre os ganchos da parte traseira da tampa quando remover a unidade sem fios. Se os ganchos não agarrarem a unidade sem fios, feche a tampa completamente e volte a abri-la lentamente.

Registo da ferramenta para o aspirador

NOTA: O aspirador Makita que suporta a função de ativação sem fios é necessário para o registo da ferramenta.

NOTA: Conclua a instalação da unidade sem fios na ferramenta antes de iniciar o registo da ferramenta.

NOTA: Durante o registo da ferramenta, não puxe o gatilho do interruptor ou ligue o interruptor de alimentação do aspirador.

NOTA: Consulte também o manual de instruções do aspirador.

Se pretender ativar o aspirador juntamente com o funcionamento por interruptor da ferramenta, conclua primeiramente o registo da ferramenta.

1. Instale as baterias no aspirador e na ferramenta.
2. Regule o interruptor do modo de espera no aspirador para "AUTO".

► **Fig.32:** 1. Interruptor do modo de espera

3. Pressione o botão de ativação sem fios do aspirador durante 3 segundos até a lâmpada de ativação sem fios piscar a verde. Em seguida, pressione o botão de ativação sem fios da ferramenta da mesma forma.

► **Fig.33:** 1. Botão de ativação sem fios 2. Lâmpada de ativação sem fios

Se o aspirador e a ferramenta forem ligados com sucesso, as lâmpadas de ativação sem fios acendem a verde durante 2 segundos e começam a piscar a azul.

NOTA: As lâmpadas de ativação sem fios acabam de piscar a verde após decorridos 20 segundos. Pressione o botão de ativação sem fios da ferramenta enquanto a lâmpada de ativação sem fios do aspirador estiver a piscar. Se a lâmpada de ativação sem fios não piscar a verde, pressione o botão de ativação sem fios por breves instantes e mantenha-o pressionado novamente.

NOTA: Quando realizar dois ou mais registos da ferramenta para um aspirador, conclua o registo da ferramenta um por um.

Iniciar a função de ativação sem fios

NOTA: Conclua o registo da ferramenta para o aspirador antes de realizar a ativação sem fios.

NOTA: Consulte também o manual de instruções do aspirador.

Após registar uma ferramenta para o aspirador, o aspirador funciona automaticamente com o funcionamento por interruptor da ferramenta.

1. Instale a unidade sem fios na ferramenta.

2. Ligue a mangueira do aspirador à ferramenta.

► **Fig.34**

3. Regule o interruptor do modo de espera no aspirador para "AUTO".

► **Fig.35:** 1. Interruptor do modo de espera

4. Pressione o botão de ativação sem fios da ferramenta por breves instantes. A lâmpada de ativação sem fios pisca a azul.

► **Fig.36:** 1. Botão de ativação sem fios 2. Lâmpada de ativação sem fios

5. Ligue a ferramenta. Verifique se o aspirador funciona enquanto a ferramenta está a funcionar.

Para parar a ativação sem fios do aspirador, pressione o botão de ativação sem fios da ferramenta.

NOTA: A lâmpada de ativação sem fios da ferramenta para de piscar a azul quando não ocorre qualquer utilização durante 2 horas. Neste caso, regule o interruptor do modo de espera do aspirador para "AUTO" e pressione novamente o botão de ativação sem fios da ferramenta.

NOTA: O aspirador inicia/para com um atraso. Ocorre um atraso temporal quando o aspirador deteta o funcionamento por interruptor da ferramenta.







NOTA: A distância de transmissão da unidade sem fios poderá variar em função do local e das circunstâncias envolventes.








NOTA: Quando duas ou mais ferramentas forem registadas para um aspirador, o aspirador poderá iniciar o seu funcionamento mesmo que não ligue a ferramenta devido ao facto de outro utilizador estar a utilizar a função de ativação sem fios.

Descrição do estado da lâmpada de ativação sem fios

► **Fig.37:** 1. Lâmpada de ativação sem fios

A lâmpada de ativação sem fios exhibe o estado da função de ativação sem fios. Consulte a tabela seguinte para obter o significado do estado da lâmpada.

Estado	Lâmpada de ativação sem fios				Descrição
	Cor	 Ligada	 A piscar	Duração	
Modo de espera	Azul			2 horas	A ativação sem fios do aspirador está disponível. A lâmpada desliga automaticamente quando o aspirador não é utilizado durante 2 horas.
				Quando a ferramenta estiver a funcionar.	A ativação sem fios do aspirador está disponível e a ferramenta está a funcionar.

Estado	Lâmpada de ativação sem fios				Descrição
	Cor	 Lígada	 A piscar	Duração	
Registo da ferramenta	Verde			20 segundos	Preparado para o registo da ferramenta. A aguardar o registo pelo aspirador.
				2 segundos	O registo da ferramenta foi concluído. A lâmpada de ativação sem fios começa a piscar a azul.
Cancelar o registo da ferramenta	Vermelho			20 segundos	Preparado para o cancelamento do registo da ferramenta. A aguardar o cancelamento pelo aspirador.
				2 segundos	O cancelamento do registo da ferramenta foi concluído. A lâmpada de ativação sem fios começa a piscar a azul.
Outros	Vermelho			3 segundos	A alimentação elétrica é fornecida à unidade sem fios e a função de ativação sem fios é iniciada.
	Desligada	-		-	A ativação sem fios do aspirador é interrompida.

Cancelar o registo da ferramenta para o aspirador

Realize o procedimento seguinte quando cancelar o registo da ferramenta para o aspirador.

1. Instale as baterias no aspirador e na ferramenta.
2. Regule o interruptor do modo de espera no aspirador para "AUTO".
► **Fig.38:** 1. Interruptor do modo de espera
3. Pressione o botão de ativação sem fios do aspirador durante 6 segundos. A lâmpada de ativação sem fios pisca a verde e fica vermelha, em seguida. Seguidamente, pressione o botão de ativação sem fios

da ferramenta da mesma forma.

► **Fig.39:** 1. Botão de ativação sem fios 2. Lâmpada de ativação sem fios

Se o cancelamento for realizado com sucesso, as lâmpadas de ativação sem fios acendem a vermelho durante 2 segundos e começam a piscar a azul.

NOTA: As lâmpadas de ativação sem fios acabam de piscar a vermelho após decorridos 20 segundos. Pressione o botão de ativação sem fios da ferramenta enquanto a lâmpada de ativação sem fios do aspirador estiver a piscar. Se a lâmpada de ativação sem fios não piscar a vermelho, pressione o botão de ativação sem fios por breves instantes e mantenha-o pressionado novamente.

Resolução de problemas para a função de ativação sem fios

Antes de pedir uma reparação, realize primeiro a sua própria inspeção. Se encontrar um problema que não esteja explicado no manual, não tente desmontar a ferramenta. Em vez disso, peça as reparações nos centros de assistência técnica autorizados da Makita, usando sempre peças de substituição da Makita.

Estado da anomalia	Causa provável (avaria)	Correção
A lâmpada de ativação sem fios não acende/pisca.	A unidade sem fios não está instalada na ferramenta. A unidade sem fios está instalada incorretamente na ferramenta.	Instale a unidade sem fios corretamente.
	O terminal da unidade sem fios e/ou a ranhura estão sujos.	Limpe delicadamente a poeira e a sujidade do terminal da unidade sem fios e limpe a ranhura.
	O botão de ativação sem fios da ferramenta não foi pressionado.	Pressione o botão de ativação sem fios da ferramenta por breves instantes.
	O interruptor do modo de espera do aspirador não está regulado para "AUTO".	Regule o interruptor do modo de espera no aspirador para "AUTO".
	Sem fornecimento de alimentação elétrica	Forneça alimentação elétrica à ferramenta e ao aspirador.

Estado da anomalia	Causa provável (avaria)	Correção
Não foi possível concluir o registo da ferramenta / o cancelamento do registo da ferramenta com sucesso.	A unidade sem fios não está instalada na ferramenta. A unidade sem fios está instalada incorretamente na ferramenta.	Instale a unidade sem fios corretamente.
	O terminal da unidade sem fios e/ou a ranhura estão sujos.	Limpe delicadamente a poeira e a sujidade do terminal da unidade sem fios e limpe a ranhura.
	O interruptor do modo de espera do aspirador não está regulado para "AUTO".	Regule o interruptor do modo de espera no aspirador para "AUTO".
	Sem fornecimento de alimentação elétrica	Forneça alimentação elétrica à ferramenta e ao aspirador.
	Funcionamento incorreto	Pressione o botão de ativação sem fios por breves instantes e volte a realizar os procedimentos de registo da ferramenta/cancelamento.
	A ferramenta e o aspirador estão afastados um do outro (fora do alcance da transmissão).	Aproxime a ferramenta do aspirador. A distância máxima de transmissão é aproximadamente 10 m, contudo, poderá variar de acordo com as circunstâncias.
	Antes de terminar o registo/cancelamento da ferramenta; - o interruptor da ferramenta é ativado; ou - o botão de alimentação no aspirador é ativado.	Pressione o botão de ativação sem fios por breves instantes e volte a realizar os procedimentos de registo da ferramenta/cancelamento.
	Os procedimentos de registo da ferramenta para a ferramenta ou aspirador não foram concluídos.	Realize os procedimentos de registo da ferramenta para a ferramenta e para o aspirador ao mesmo tempo.
	Interferência radioelétrica por outros aparelhos que geram ondas de rádio de alta intensidade.	Mantenha a ferramenta e o aspirador afastados de aparelhos como dispositivos Wi-Fi e fornos microondas.
O aspirador não funciona juntamente com o funcionamento por interruptor da ferramenta.	A unidade sem fios não está instalada na ferramenta. A unidade sem fios está instalada incorretamente na ferramenta.	Instale a unidade sem fios corretamente.
	O terminal da unidade sem fios e/ou a ranhura estão sujos.	Limpe delicadamente a poeira e a sujidade do terminal da unidade sem fios e limpe a ranhura.
	O botão de ativação sem fios da ferramenta não foi pressionado.	Pressione o botão de ativação sem fios por breves instantes e certifique-se de que a lâmpada de ativação sem fios está a piscar a azul.
	O interruptor do modo de espera do aspirador não está regulado para "AUTO".	Regule o interruptor do modo de espera no aspirador para "AUTO".
	Estão registadas mais de 10 ferramentas para o aspirador.	Realize o registo da ferramenta novamente. Se estiverem registadas mais de 10 ferramentas para o aspirador, a ferramenta registada mais cedo será cancelada automaticamente.
	O aspirador apagou todos os registos da ferramenta.	Realize o registo da ferramenta novamente.
	Sem fornecimento de alimentação elétrica	Forneça alimentação elétrica à ferramenta e ao aspirador.
	A ferramenta e o aspirador estão afastados um do outro (fora do alcance da transmissão).	Aproxime a ferramenta do aspirador. A distância máxima de transmissão é aproximadamente 10 m, contudo, poderá variar de acordo com as circunstâncias.
	Interferência radioelétrica por outros aparelhos que geram ondas de rádio de alta intensidade.	Mantenha a ferramenta e o aspirador afastados de aparelhos como dispositivos Wi-Fi e fornos microondas.
O aspirador funciona enquanto a ferramenta não está a funcionar.	Outros utilizadores estão a utilizar a ativação sem fios do aspirador com as respetivas ferramentas.	Desligue o botão de ativação sem fios das outras ferramentas ou cancele o registo da ferramenta das outras ferramentas.

MANUTENÇÃO

⚠️ PRECAUÇÃO: Certifique-se sempre de que a ferramenta se encontra desligada e de que a bateria foi retirada antes de executar qualquer inspeção ou manutenção.

OBSERVAÇÃO: Nunca utilize gasolina, benzina, diluente, álcool ou produtos semelhantes. Pode ocorrer a descoloração, deformação ou rachaduras.

Para manter a SEGURANÇA e a FIABILIDADE do produto, as reparações e qualquer outra manutenção ou ajuste devem ser levados a cabo pelos centros de assistência Makita autorizados ou pelos centros de assistência de fábrica, utilizando sempre peças de substituição Makita.

Após a utilização

Limpe a ferramenta regularmente com um pano seco ou um pano ligeiramente humedecido com água com sabão.

Substituir a almofada

Substitua a almofada perante o caso a seguir indicado.

- Quando o fixador por meio de fecho de gancho e laço na almofada fica desgastado.
 - Quando pretende trocar a almofada de retangular para delta ou vice-versa.
1. Solte e remova os parafusos que fixam a almofada e a base da ferramenta.
► **Fig.40:** 1. Parafuso 2. Almofada 3. Base
 2. Substitua a almofada e a base atuais por uma outra almofada e base.
 3. Volte a apertar firmemente os parafusos para fixar a almofada.

ACESSÓRIOS OPCIONAIS

⚠️ PRECAUÇÃO: Estes acessórios ou peças são recomendados para utilização com a ferramenta Makita especificada neste manual. A utilização de outros acessórios ou peças pode ser perigosa para as pessoas. Utilize apenas acessórios ou peças para os fins indicados.

Se necessitar de informações adicionais relativas a estes acessórios, solicite-as ao seu centro de assistência Makita.

- Papel de lixa (fecho de gancho e laço)
- Protetor da almofada
- Almofada retangular
- Almofada delta
- Saco para pó
- Cablagem
- Tapa de proteção
- Adaptador da bateria

- Unidade sem fios
- Bateria e carregador genuínos da Makita

NOTA: Alguns itens da lista podem estar incluídos na embalagem da ferramenta como acessórios padrão. Eles podem variar de país para país.

ΠΡΟΔΙΑΓΡΑΦΕΣ

Μοντέλο:		ΒΟ005CG	ΒΟ006CG
Στάνταρ εξοπλισμένο πέλμα		Ορθογώνιο πέλμα	Δελτοειδές πέλμα
Λειαντικό χαρτί	Για ορθογώνιο πέλμα	80 mm x 130 mm	
	Για δελτοειδές πέλμα	100 mm x 150 mm	
Περιστροφές ανά λεπτό		6.000 - 10.000 min ⁻¹	
Διάμετρος περιστροφών		3,0 mm	
Ολικό μήκος		236 mm	263 mm
Ονομαστική τάση		D.C. 36 V - 40 V μέγ	
Καθαρό βάρος* ¹		0,93 kg	

- Λόγω του συνεχιζόμενου προγράμματος έρευνας και ανάπτυξης, οι προδιαγραφές αυτές υπόκεινται σε αλλαγές χωρίς προειδοποίηση.
- Τα τεχνικά χαρακτηριστικά μπορεί να διαφέρουν από χώρα σε χώρα.
- Το βάρος σύμφωνα με τη διαδικασία ΕΡΤΑ 01/2014 παρουσιάζεται στον πίνακα.

*1: Βάρος χωρίς αξεσουάρ ή κασέτα(-ες) μπαταριών

Ισχύουσα κασέτα μπαταριών και φορτιστής

Κασέτα μπαταρίας	BL4020* / BL4025* / BL4040* / BL4040F* / BL4050F / BL4080F * : Συνιστώμενη μπαταρία
Φορτιστής	DC40RA / DC40RB / DC40RC / DC40WA

- Ορισμένες από τις κασέτες και τους φορτιστές μπαταριών που αναγράφονται παραπάνω ίσως να μην είναι διαθέσιμοι, ανάλογα με την τοποθεσία κατοικίας σας.

⚠ ΠΡΟΕΙΔΟΠΟΙΗΣΗ: Να χρησιμοποιείτε μόνο τις κασέτες μπαταριών και τους φορτιστές που παρατίθενται ανωτέρω. Η χρήση οποιασδήποτε άλλης κασέτας μπαταριών ή φορτιστή μπορεί να προκαλέσει τραυματισμό ή/και πυρκαγιά.

Συνιστώμενη ενσύρματη πηγή τροφοδοσίας

Φορητή ηλεκτρική τροφοδότηση	PDC01 / PDC1200 / PDC1500
------------------------------	---------------------------

- Οι ενσύρματες πηγές τροφοδοσίας που αναγράφονται παραπάνω μπορεί να μην είναι διαθέσιμες, ανάλογα με την περιοχή της κατοικίας σας.
- Πριν χρησιμοποιήσετε την ενσύρματη πηγή τροφοδοσίας, διαβάστε τις οδηγίες και τις ενδείξεις προφυλάξεων που αναγράφονται σε αυτή.

Σύμβολα

Παρακάτω παρουσιάζονται τα σύμβολα που μπορούν να χρησιμοποιηθούν για τον εξοπλισμό. Βεβαιωθείτε ότι κατανοείτε τη σημασία τους πριν από τη χρήση.



Διαβάστε το εγχειρίδιο οδηγιών.



Φοράτε προστατευτικά ματιών.



Απαιτούνται ιδιαίτερη φροντίδα και προσοχή.



Για να μειωθεί ο κίνδυνος τραυματισμού, φυλάξτε το καλώδιο μακριά από εμπόδια.



Μην κακομεταχειρίζεστε το καλώδιο.
Ένα κατεστραμμένο καλώδιο αυξάνει τον κίνδυνο τραυματισμού.



Μόνο για τις χώρες της ΕΕ
 Λόγω της παρουσίας των επικίνδυνων συστατικών μερών στον εξοπλισμό, ο απόβλητος ηλεκτρικός και ηλεκτρονικός εξοπλισμός, οι συσσωρευτές και οι μπαταρίες μπορεί να έχουν αρνητική επίδραση στο περιβάλλον και την ανθρώπινη υγεία. Μην απορρίπτετε τις ηλεκτρικές και ηλεκτρονικές συσκευές ή μπαταρίες μαζί με τα οικιακά απορρίμματα!
 Σύμφωνα με την Ευρωπαϊκή Οδηγία για τον απόβλητο ηλεκτρικό και ηλεκτρονικό εξοπλισμό και για τους συσσωρευτές και μπαταρίες και τους απόβλητους συσσωρευτές και μπαταρίες, καθώς και την προσαρμογή τους στην εθνική νομοθεσία, ο απόβλητος ηλεκτρικός εξοπλισμός, οι μπαταρίες και οι συσσωρευτές θα πρέπει να αποθηκεύονται ξεχωριστά και να παραδίδονται σε ξεχωριστό σημείο συλλογής για δημοτικά απόβλητα, το οποίο λειτουργεί σύμφωνα με τους κανονισμούς για την προστασία του περιβάλλοντος.
 Αυτό υποδεικνύεται από το σύμβολο του διαγραμμένου τροχοφόρου κάδου που βρίσκεται αναρτημένο επάνω στον εξοπλισμό.

Προοριζόμενη χρήση

Το εργαλείο προορίζεται για λείανση μεγάλων επιφανειών από ξύλο, πλαστικά και μεταλλικά υλικά καθώς και βαμμένων επιφανειών.

Θόρυβος

Το τυπικό Α επίπεδο καταμετρημένου θορύβου καθορίζεται σύμφωνα με το EN62841-2-4:

Μοντέλο	Επίπεδο ηχητικής πίεσης (L_{pA}): (dB (A))	Αβεβαιότητα (K): (dB (A))
BO005CG	73	3
BO006CG	76	3

Η ένταση θορύβου υπό συνθήκες εργασίας μπορεί να υπερβεί τα 80 dB (A).

ΠΑΡΑΤΗΡΗΣΗ: Η δηλωμένη τιμή(ές) εκπομπής θορύβου έχει μετρηθεί σύμφωνα με την πρότυπη μέθοδο δοκιμής και μπορεί να χρησιμοποιηθεί για τη σύγκριση ενός εργαλείου με κάποιο άλλο.

ΠΑΡΑΤΗΡΗΣΗ: Η δηλωμένη τιμή(ές) εκπομπής θορύβου μπορεί να χρησιμοποιηθεί και στην προκαταρκτική αξιολόγηση της έκθεσης.

▲ΠΡΟΕΙΔΟΠΟΙΗΣΗ: Να φοράτε ωτοασπίδες.

▲ΠΡΟΕΙΔΟΠΟΙΗΣΗ: Η εκπομπή θορύβου κατά τη χρήση του ηλεκτρικού εργαλείου σε πραγματικές συνθήκες μπορεί να διαφέρει από τη δηλωμένη τιμή(ές) ανάλογα με τους τρόπους χρήσης του εργαλείου, ιδιαίτερα το είδος του τεμαχίου εργασίας που υπόκειται επεξεργασία.

▲ΠΡΟΕΙΔΟΠΟΙΗΣΗ: Φροντίστε να λάβετε τα κατάλληλα μέτρα προστασίας του χειριστή βάσει ενός υπολογισμού της έκθεσης σε πραγματικές συνθήκες χρήσης (λαμβάνοντας υπόψη όλες τις συνιστώσες του κύκλου λειτουργίας όπως τους χρόνους που το εργαλείο είναι εκτός λειτουργίας και όταν βρίσκεται σε αδρανή λειτουργία πέραν του χρόνου ενεργοποίησης).

Κραδασμός

Η ολική τιμή δόνησης (άθροισμα τρι-αξονικού διανύσματος) καθορίζεται σύμφωνα με το EN62841-2-4:
 Είδος εργασίας: λείανση μεταλλικής πλάκας

Μοντέλο	Εκπομπή δόνησης ($a_{hv, A,G}$): (m/s ²)	Αβεβαιότητα (K): (m/s ²)
BO005CG	2,6	1,5
BO006CG	2,6	1,5

ΠΑΡΑΤΗΡΗΣΗ: Η δηλωμένη τιμή(ές) συνολικών κραδασμών έχει μετρηθεί σύμφωνα με την πρότυπη μέθοδο δοκιμής και μπορεί να χρησιμοποιηθεί για τη σύγκριση ενός εργαλείου με κάποιο άλλο.

ΠΑΡΑΤΗΡΗΣΗ: Η δηλωμένη τιμή(ές) συνολικών κραδασμών μπορεί να χρησιμοποιηθεί και στην προκαταρκτική αξιολόγηση της έκθεσης.

▲ΠΡΟΕΙΔΟΠΟΙΗΣΗ: Η εκπομπή κραδασμών κατά τη χρήση του ηλεκτρικού εργαλείου σε πραγματικές συνθήκες μπορεί να διαφέρει από τη δηλωμένη τιμή(ές) εκπομπής ανάλογα με τους τρόπους χρήσης του εργαλείου, ιδιαίτερα το είδος του τεμαχίου εργασίας που υπόκειται επεξεργασία.

▲ΠΡΟΕΙΔΟΠΟΙΗΣΗ: Φροντίστε να λάβετε τα κατάλληλα μέτρα προστασίας του χειριστή βάσει ενός υπολογισμού της έκθεσης σε πραγματικές συνθήκες χρήσης (λαμβάνοντας υπόψη όλες τις συνιστώσες του κύκλου λειτουργίας όπως τους χρόνους που το εργαλείο είναι εκτός λειτουργίας και όταν βρίσκεται σε αδρανή λειτουργία πέραν του χρόνου ενεργοποίησης).

Δήλωση Συμμόρφωσης

Μόνο για χώρες της Ευρώπης

Οι Δηλώσεις Συμμόρφωσης περιλαμβάνονται στο Παράρτημα Α στο παρόν εγχειρίδιο οδηγιών.

ΠΡΟΕΙΔΟΠΟΙΗΣΕΙΣ ΑΣΦΑΛΕΙΑΣ

Γενικές προειδοποιήσεις ασφαλείας για το ηλεκτρικό εργαλείο

▲ΠΡΟΕΙΔΟΠΟΙΗΣΗ Διαβάστε όλες τις προειδοποιήσεις ασφαλείας, οδηγίες, εικονογραφημένες και προδιαγραφές που παρέχονται με αυτό το ηλεκτρικό εργαλείο. Η μη κήρηση όλων των οδηγιών που αναγράφονται κατωτέρω μπορεί να καταλήξει σε ηλεκτροπληξία, πυρκαγιά ή/και σοβαρό τραυματισμό.

Φυλάξτε όλες τις προειδοποιήσεις και τις οδηγίες για μελλοντική παραπομπή.

Στις προειδοποιήσεις, ο όρος «ηλεκτρικό εργαλείο» αναφέρεται σε ηλεκτρικό εργαλείο που τροφοδοτείται από την κύρια παροχή ηλεκτρικού ρεύματος (με ηλεκτρικό καλώδιο) ή σε ηλεκτρικό εργαλείο που τροφοδοτείται από μπαταρία (χωρίς ηλεκτρικό καλώδιο).

Προειδοποιήσεις ασφαλείας για το λειαντήρα

1. Να χρησιμοποιείτε πάντα γυαλιά ασφαλείας ή προστατευτικά γυαλιά. Τα συνηθισμένα γυαλιά οράσεως ή γυαλιά ηλίου ΔΕΝ είναι γυαλιά ασφαλείας.
2. Κρατήστε το εργαλείο σταθερό.
3. Μην αφήνετε το εργαλείο σε λειτουργία. Να χειρίζεστε το εργαλείο μόνο όταν το κρατάτε με τα χέρια σας.
4. Το εργαλείο αυτό δεν είναι αδιάβροχο, για αυτό το λόγο μη χρησιμοποιείτε νερό στην επιφάνεια του τεμαχίου εργασίας.
5. Να αερίζετε το χώρο εργασίας επαρκώς όταν εκτελείτε εργασίες λείανσης.
6. Μερικά υλικά περιέχουν χημικές ουσίες που μπορεί να είναι τοξικές. Προσέχετε να μην εισπνέσετε σκόνη και να μην έχετε δερματική επαφή. Ακολουθείτε τα δεδομένα ασφαλείας υλικού που παρέχονται από τον προμηθευτή.
7. Η χρήση του εργαλείου αυτού για λείανση μερικών προϊόντων, χρωμάτων και ξύλου, μπορεί να εκθέσει τον χρήστη σε σκόνη που περιέχει επικίνδυνες ουσίες. Να χρησιμοποιείτε κατάλληλη αναπνευστική προστασία.
8. Βεβαιωθείτε ότι δεν υπάρχουν ρωγμές ή σπάσιμο στο πέλμα πριν από τη χρήση. Οι ρωγμές ή τα σπασίματα μπορεί να προκαλέσουν σοβαρό προσωπικό τραυματισμό.
9. Προσέχετε το στήριγμα των ποδιών σας και διατηρείτε την ισορροπία σας με το εργαλείο. Βεβαιωθείτε ότι δεν υπάρχει κανείς από κάτω όταν εργάζεστε σε υψηλές τοποθεσίες. Αν ρίξετε το εργαλείο/συστατικά μέρη μηχανήματος από κάποιο ύψος, μπορεί να προκληθούν σοβαροί τραυματισμοί.
10. Μην χρησιμοποιείτε εξαρτήματα που δεν συνιστώνται από τον κατασκευαστή. Η ασφάλεια

των εξαρτημάτων που δεν συνιστώνται από τον κατασκευαστή δεν εγγυάται ακόμη κι αν μπορούν να προσαρτηθούν.

11. Κρατάτε τα χέρια και το σώμα σας μακριά από το κάτω μέρος του εργαλείου κατά τη διάρκεια της χρήσης.

ΦΥΛΑΞΤΕ ΑΥΤΕΣ ΤΙΣ ΟΔΗΓΙΕΣ.

▲ΠΡΟΕΙΔΟΠΟΙΗΣΗ: ΜΗΝ επιτρέψετε στην άνεση ή στην εξοικειωσή σας με το προϊόν (που αποκτήθηκε από επανειλημμένη χρήση) να αντικαταστήσει την αυστηρή τήρηση των κανόνων ασφαλείας του παρόντος εργαλείου. Η **ΛΑΝΘΑΣΜΕΝΗ ΧΡΗΣΗ** ή η αμέλεια να ακολουθήσετε τους κανόνες ασφαλείας που διατυπώνονται στο παρόν εγχειρίδιο οδηγιών μπορεί να προκαλέσει σοβαρό προσωπικό τραυματισμό.

Προειδοποιήσεις ασφαλείας για τον προσαρμογέα μπαταρίας

1. Όταν το καλώδιο ζεσταθεί, σταματήστε να χρησιμοποιείτε το προϊόν και αφήστε το εργαλείο/μηχάνημα. Αφήστε τα να κρυσώσουν πριν από μια επανεκκίνηση.
2. Όταν μεταφέρετε το εργαλείο/μηχάνημα ή αφήνετε το εργαλείο/μηχάνημα χωρίς επιτήρηση, αφαιρέστε τον προσαρμογέα από το εργαλείο μηχανήματος ή αποδεσμεύστε τον υποδοχέα μπαταρίας από το σώμα σας, κτλ.
 - Το καλώδιο μπορεί να πιαστεί σε ανθρώπους ή εμπόδια που βρίσκονται κοντά και να προκαλέσει τραυματισμό.
 - Μπορεί αθέλητα να τραβήξετε το εργαλείο/μηχάνημα που είναι προσαρτημένο στο σώμα σας και να σκοντάψετε ή να πέσει το εργαλείο/μηχάνημα, έχοντας ως αποτέλεσμα τραυματισμό.
3. Όταν χρησιμοποιείτε το προϊόν σε ψηλά μέρη, να χρησιμοποιείτε πάντα ζώνη ασφαλείας. Να γνωρίζετε ότι αν πέσει το εργαλείο/μηχάνημα κατά λάθος, μπορεί να επηρεάσει η ισορροπία σας και να υπάρξει κίνδυνος πτώσης από ύψος.
4. Μην αποθηκεύετε ή λειτουργείτε αυτό το προϊόν με το καλώδιο συστραμμένο. Ένα κατεστραμμένο ή μπλεγμένο καλώδιο μπορεί να αυξήσει τον κίνδυνο ηλεκτροπληξίας ή φωτιάς λόγω βραχυκυκλώματος στην καλωδίωση.
5. Επιθεωρήστε το καλώδιο και τα συστατικά μέρη του προϊόντος για οποιοσδήποτε ανωμαλίες πριν από τη χρήση. Αν ανιχνευτούν ανωμαλίες, σταματήστε αμέσως τη χρήση του προϊόντος και ζητήστε επισκευή σε εξουσιοδοτημένα ή εργοστασιακά κέντρα σέρβις της Makita.

Σημαντικές οδηγίες ασφαλείας για κασέτα μπαταριών

1. Πριν χρησιμοποιήσετε την κασέτα μπαταριών, διαβάστε όλες τις οδηγίες και σημειώσεις προφύλαξης (1) στον φορτιστή μπαταριών, (2) στην μπαταρία και (3) στο προϊόν που χρησιμοποιεί την μπαταρία.
2. Μην αποσυναρμολογήσετε ή παραβιάσετε την κασέτα μπαταριών. Μπορεί να έχει ως

αποτέλεσμα πυρκαγιά, υπερθέρμανση ή έκρηξη.

3. Εάν ο χρόνος λειτουργίας έχει γίνει υπερβολικά βραχύς, σταματήστε τη λειτουργία αμέσως. Αλλιώς, μπορεί να έχει ως αποτέλεσμα κίνδυνο υπερθέρμανσης, πιθανά εγκαύματα ή ακόμη και έκρηξη.
4. Εάν ηλεκτρολύτης μπει στα μάτια σας, ξεπλύνετέ τα με καθαρό νερό και ζητήστε ιατρική φροντίδα αμέσως. Αλλιώς, μπορεί να έχει ως αποτέλεσμα απώλεια της όρασης σας.
5. Μην βραχυκυκλώνετε την κασέτα μπαταριών:
 - (1) Μην αγγίζετε τους πόλους με οτιδήποτε αγώγιμο υλικό.
 - (2) Αποφεύγετε να αποθηκεύετε την κασέτα μπαταριών μέσα σε ένα δοχείο μαζί με άλλα μεταλλικά αντικείμενα όπως καρφιά, νομίσματα, κλπ.
 - (3) Μην εκθέτετε την κασέτα μπαταριών στο νερό ή στη βροχή.

Ένα βραχυκύκλωμα μπαταρίας μπορεί να προκαλέσει μεγάλη ροή ρεύματος, υπερθέρμανση, πιθανά εγκαύματα ακόμη και σοβαρή βλάβη.

6. Μην αποθηκεύετε και μην χρησιμοποιείτε το εργαλείο και την κασέτα μπαταριών σε τοποθεσίες όπου η θερμοκρασία μπορεί να φτάσει ή να ξεπεράσει τους 50 °C.
7. Μην καίτε την κασέτα μπαταριών ακόμη και εάν έχει σοβαρή ζημιά ή είναι εντελώς φθαρμένη. Η κασέτα μπαταριών μπορεί να εκραγεί στη φωτιά.
8. Μην καρφώσετε, κόψετε, συνθλίψετε, πετάξετε ή ρίξετε κάτω την κασέτα μπαταριών, ούτε να χτυπήσετε ένα σκληρό αντικείμενο επάνω στην κασέτα μπαταριών. Τέτοια συμπεριφορά μπορεί να έχει ως αποτέλεσμα πυρκαγιά, υπερθέρμανση ή έκρηξη.
9. Μην χρησιμοποιείτε μπαταρία που έχει υποστεί ζημιά.
10. Οι μπαταρίες ιόντων λιθίου που περιέχονται υπόκεινται στις απαιτήσεις της νομοθεσίας για επικίνδυνα αγαθά.

Για εμπροκικές μεταφορές, για παράδειγμα από τρίτα μέρη, πρέπει να τηρούνται οι διαμεταφορές, οι ειδικές απαιτήσεις στη συσκευασία και η επισήμανση.

Για προετοιμασία του στοιχείου που αποστέλλεται, είναι απαραίτητο να συμβουλευτείτε έναν ειδικό για επικίνδυνα υλικά. Επίσης, τηρήστε τους πιθανούς, πιο αναλυτικούς εθνικούς κανονισμούς. Καλύψτε με αυτοκόλλητη ταινία ή κρύψτε τις ανοικτές επαφές και συσκευάστε την μπαταρία με τρόπο που να μην μπορεί να μετακινείται μέσα στη συσκευασία.

11. Όταν απορρίπτετε την κασέτα μπαταριών, αφαιρέστε την από το εργαλείο και διαθέστε την σε ένα ασφαλές μέρος. Τηρήστε τους τοπικούς κανονισμούς που σχετίζονται με τη διάθεση της μπαταρίας.
12. Χρησιμοποιήστε τις μπαταρίες μόνο με τα προϊόντα που καθορίζει η Makita. Αν τοποθετήσετε τις μπαταρίες σε μη συμβατά προϊόντα μπορεί να έχει ως αποτέλεσμα πυρκαγιά, υπερβολική θερμότητα, έκρηξη ή διαρροή ηλεκτρολύτη.
13. Αν δεν χρησιμοποιείτε το εργαλείο για μεγάλο

χρονικό διάστημα, πρέπει να βγάλετε την μπαταρία από το εργαλείο.

14. Κατά τη διάρκεια και μετά τη χρήση, η κασέτα μπαταριών μπορεί να θερμανθεί, γεγονός που μπορεί να προκαλέσει εγκαύματα ή εγκαύματα από χαμηλή θερμοκρασία. Προσέχετε το χειρισμό των ζεστών κασετών μπαταριών.
15. Μην αγγίζετε τον ακροδέκτη του εργαλείου αμέσως μετά τη χρήση επειδή μπορεί να έχει ζεσταθεί αρκετά για να προκαλέσει εγκαύματα.
16. Μην αφήνετε θραύσματα, σκόνη ή βρομιά να κολλήσει στους ακροδέκτες, τις σπές και τις εγκοπές της κασέτας μπαταριών. Μπορεί να προκαλέσει θέρμανση, φωτιά, έκρηξη και δυσλειτουργία του εργαλείου ή της κασέτας μπαταριών, έχοντας ως αποτέλεσμα εγκαύματα ή προσωπικό τραυματισμό.
17. Εκτός αν το εργαλείο υποστηρίζει τη χρήση κοντά σε ηλεκτρικές γραμμές υψηλής τάσης, μην χρησιμοποιείτε την κασέτα μπαταριών κοντά σε ηλεκτρικές γραμμές υψηλής τάσης. Μπορεί να έχει ως αποτέλεσμα δυσλειτουργία ή στάσιμο του εργαλείου ή της κασέτας μπαταριών.
18. ΚρΦυλάξτε την μπαταρία μακριά από παιδιά.

ΦΥΛΑΞΤΕ ΤΙΣ ΟΔΗΓΙΕΣ ΑΥΤΕΣ.

▲ΠΡΟΣΟΧΗ: Να χρησιμοποιείτε μόνο γνήσιες μπαταρίες της Makita. Η χρήση μη γνήσιων μπαταριών Makita, ή μπαταριών που έχουν τροποποιηθεί, μπορεί να έχει ως αποτέλεσμα τη ρήξη της μπαταρίας, προκαλώντας πυρκαγιά, προσωπικό τραυματισμό και βλάβη. Επίσης, θα ακυρωθεί η εγγύηση της Makita για το εργαλείο και φορτιστή Makita.

Συμβουλές για τη διατήρηση της μέγιστης ζωής μπαταρίας

1. Φορτίζετε την κασέτα μπαταριών πριν από την πλήρη αποφόρτιση της. Πάντοτε να σταματάτε τη λειτουργία του εργαλείου και να φορτίζετε την κασέτα μπαταριών όταν παρατηρείτε μειωμένη ισχύ εργαλείου.
2. Ποτέ μην επαναφορτίζετε μια πλήρως φορτισμένη κασέτα μπαταριών. Η υπερφόρτιση μειώνει την ωφέλιμη ζωή της μπαταρίας.
3. Να φορτίζετε την κασέτα μπαταριών σε θερμοκρασία δωματίου, δηλαδή στους 10 °C έως 40 °C. Αφήστε μια θερμή κασέτα μπαταριών να κρυώσει πριν την φορτίσετε.
4. Όταν δεν χρησιμοποιείτε την κασέτα μπαταριών, αφαιρέστε την από το εργαλείο ή τον φορτιστή.
5. Να φορτίζετε την κασέτα μπαταριών εάν δεν τη χρησιμοποιείτε για μεγάλη χρονική περίοδο (περισσότερο από έξι μήνες).

Σημαντικές οδηγίες ασφάλειας για την ασύρματη μονάδα

1. Μην αποσυναρμολογείτε ή παραβιάζετε την ασύρματη μονάδα.
2. Διατηρείτε την ασύρματη μονάδα μακριά από μικρά παιδιά. Αν καταποθεί κατά λάθος, αναζητήστε αμέσως ιατρική βοήθεια.
3. Να χρησιμοποιείτε την ασύρματη μονάδα μόνο

- με εργαλεία της Makita.
4. Μην εκθέτετε την ασύρματη μονάδα στη βροχή ή σε υγρές συνθήκες.
 5. Μη χρησιμοποιείτε την ασύρματη μονάδα σε μέρη όπου η θερμοκρασία ξεπερνάει τους 50 °C.
 6. Μη θέτετε την ασύρματη μονάδα σε λειτουργία σε μέρη όπου υπάρχουν ιατρικά όργανα, όπως καρδιακοί βηματοδότες.
 7. Μη θέτετε την ασύρματη μονάδα σε λειτουργία σε μέρη όπου υπάρχουν αυτοματοποιημένες διατάξεις. Αν τεθούν σε λειτουργία, οι αυτοματοποιημένες συσκευές μπορεί να εμφανίσουν δυσλειτουργία ή σφάλμα.
 8. Μη θέσετε σε λειτουργία την ασύρματη μονάδα σε μέρη με υψηλή θερμοκρασία ή σε μέρη όπου μπορεί να παραχθεί στατικός ηλεκτρισμός ή ηλεκτρικός θόρυβος.
 9. Η ασύρματη μονάδα μπορεί να παράγει ηλεκτρομαγνητικά πεδία (ΗΜΠ) αλλά δεν είναι επιβλαβή για τον χρήστη.
 10. Η ασύρματη μονάδα είναι ένα όργανο ακριβείας. Προσέχετε να μη ρίξετε κάτω ή να χτυπήσετε την ασύρματη μονάδα.
 11. Αποφύγετε να αγγίζετε τον ακροδέκτη της ασύρματης μονάδας με γυμνά χέρια ή μεταλλικά υλικά.
 12. Αφαιρείτε πάντοτε την μπαταρία από το προϊόν όταν τοποθετείτε σε αυτό την ασύρματη μονάδα.
 13. Όταν ανοίγετε το καπάκι της σχισμής, αποφύγετε μέρη όπου μπορεί να εισέλθει σκόνη και νερό μέσα στη σχισμή. Να διατηρείτε πάντα καθαρή την είσοδο της σχισμής.
 14. Να φορτώνετε πάντα την ασύρματη μονάδα με τη σωστή κατεύθυνση.
 15. Μην πατήσετε το κουμπί ασύρματης ενεργοποίησης στην ασύρματη μονάδα πολύ δυνατά ή/και μην πατήσετε το κουμπί με ένα αντικείμενο με αιχμηρό άκρο.
 16. Κατά τη λειτουργία, να κλείνετε πάντα το καπάκι της σχισμής.
 17. Μην αφαιρείτε την ασύρματη μονάδα από τη σχισμή ενώ παρέχεται ισχύς στο εργαλείο. Αν το κάνετε αυτό, μπορεί να προκληθεί δυσλειτουργία της ασύρματης μονάδας.
 18. Μην αφαιρείτε το αυτοκόλλητο στην ασύρματη μονάδα.
 19. Μην τοποθετείτε αυτοκόλλητα επάνω στην ασύρματη μονάδα.
 20. Μην αφήνετε την ασύρματη μονάδα σε ένα μέρος όπου μπορεί να παραχθεί στατικός ηλεκτρισμός ή ηλεκτρικός θόρυβος.
 21. Μην αφήνετε την ασύρματη μονάδα σε ένα μέρος που υπόκειται σε υψηλή θερμότητα, όπως ένα αυτοκίνητο στον ήλιο.
 22. Μην αφήνετε την ασύρματη μονάδα σε ένα μέρος με πολλή σκόνη ή πούδρα ή σε ένα μέρος όπου μπορεί να παραχθεί διαβρωτικό αέριο.
 23. Η απότομη αλλαγή της θερμοκρασίας μπορεί να υγραίνει την ασύρματη μονάδα. Μη χρησιμοποιείτε την ασύρματη μονάδα μέχρι να στεγνώσει εντελώς όλη η υγρασία.

24. Όταν καθαρίζετε την ασύρματη μονάδα, σκουπίστε απαλά με ένα στεγνό μαλακό πανί. Μη χρησιμοποιείτε βενζίνη, νέφτι, αγωγίμο γράσο ή παρόμοιες ουσίες.
25. Όταν αποθηκεύετε την ασύρματη μονάδα, να τη διατηρείτε μέσα στην παρεχόμενη θήκη ή μέσα σε δοχείο χωρίς στατικό ηλεκτρισμό.
26. Μην εισαγάγετε καμία συσκευή διαφορετική από την ασύρματη μονάδα Makita μέσα στη σχισμή στο εργαλείο.
27. Μη χρησιμοποιείτε το εργαλείο αν το καπάκι της σχισμής είναι κατεστραμμένο. Αν εισέλθει νερό, σκόνη και βρομιά μέσα στη σχισμή, μπορεί να προκληθεί δυσλειτουργία.
28. Μην τραβήξετε ή/και μη συστρέψετε το καπάκι της σχισμής περισσότερο από ότι απαιτείται. Τοποθετήστε ξανά το καπάκι αν βγει από το εργαλείο.
29. Αντικαταστήστε ξανά το καπάκι της σχισμής αν χαθεί ή καταστραφεί.

ΦΥΛΑΞΤΕ ΑΥΤΕΣ ΤΙΣ ΟΔΗΓΙΕΣ.

ΠΕΡΙΓΡΑΦΗ ΛΕΙΤΟΥΡΓΙΑΣ

▲ΠΡΟΣΟΧΗ: Να φροντίζετε πάντα για την απενεργοποίηση του εργαλείου και την αφαίρεση της κασέτας μπαταρίας, πριν από οποιαδήποτε ρύθμιση ή έλεγχο της λειτουργίας του.

Τοποθέτηση ή αφαίρεση της κασέτας μπαταριών

▲ΠΡΟΣΟΧΗ: Να σβήνετε πάντα το εργαλείο πριν τοποθετήσετε ή αφαιρέσετε την κασέτα μπαταριών.

▲ΠΡΟΣΟΧΗ: Κρατήστε το εργαλείο και την κασέτα μπαταριών σταθερά κατά την τοποθέτηση ή αφαίρεση της κασέτας μπαταριών. Εάν δεν κρατάτε το εργαλείο και την κασέτα μπαταριών σταθερά μπορεί να γλιστρήσουν από τα χέρια σας και να προκληθεί βλάβη στο εργαλείο και την κασέτα μπαταριών και προσωπικός τραυματισμός.

Για να τοποθετήσετε την κασέτα μπαταριών, ευθυγραμμίστε τη γλώσσα στην κασέτα μπαταριών με την εγκοπή στο περίβλημα και ολισθήστε τη στη θέση της. Τοποθετήστε την μέχρι τέρμα μέχρι να ασφαλίσει στη θέση της, γεγονός που υποδεικνύεται με ένα χαρακτηριστικό ήχο. Αν μπορείτε να δείτε τον κόκκινο δείκτη όπως απεικονίζεται στην εικόνα, δεν έχει κλειδώσει τελείως.

Για να αφαιρέσετε την κασέτα μπαταριών, ολισθήστε την από το εργαλείο ενώ σύρετε το κουμπί στο μπροστινό μέρος της κασέτας.

► **Εικ. 1:** 1. Κόκκινος δείκτης 2. Κουμπί 3. Κασέτα μπαταριών

▲ ΠΡΟΣΟΧΗ: Να τοποθετείτε πάντα την κασέτα μπαταριών πλήρως μέχρι να μη βλέπετε τον κόκκινο δείκτη. Εάν δεν ασφαλιστεί, μπορεί να πέσει από το εργαλείο τυχαία, προκαλώντας σωματική βλάβη σε εσάς ή κάποιον άλλο γύρω σας.

▲ ΠΡΟΣΟΧΗ: Μην τοποθετείτε την κασέτα μπαταριών με βία. Εάν η κασέτα δεν ολισθαίνει με ευκολία, τότε δεν έχει τοποθετηθεί κατάλληλα.

Εμφάνιση υπολειπόμενης χωρητικότητας μπαταρίας

Πίστετε το κουμπί ελέγχου στην κασέτα μπαταριών για να υποδείξετε την υπολειπόμενη χωρητικότητα μπαταρίας. Οι ενδεικτικές λυχνίες ανάβουν για λίγα δευτερόλεπτα.

► **Εικ.2:** 1. Ενδεικτικές λυχνίες 2. Κουμπί ελέγχου

Ενδεικτικές λυχνίες			Υπολειπόμενη χωρητικότητα
Αναμμένες	Σβηστές	Αναβοσβήνουν	
			75% έως 100%
			50% έως 75%
			25% έως 50%
			0% έως 25%
			Φορτίστε την μπαταρία.
			Μπορεί να προέκυψε δυσλειτουργία στην μπαταρία.

ΠΑΡΑΤΗΡΗΣΗ: Ανάλογα με τις συνθήκες χρήσης και τη θερμοκρασία περιβάλλοντος, η ένδειξη μπορεί να διαφέρει λίγο από την πραγματική χωρητικότητα.

ΠΑΡΑΤΗΡΗΣΗ: Η πρώτη (τέρμα αριστερά) ενδεικτική λυχνία θα αναβοσβήνει όταν λειτουργεί το σύστημα προστασίας μπαταρίας.

Δράση διακόπτη

▲ ΠΡΟΣΟΧΗ: Αποφεύγετε να ενεργοποιείτε το εργαλείο ενώ είναι τοποθετημένο επάνω στο τεμάχιο εργασίας ή επάνω στον πάγκο σας. Μπορεί να προκληθεί προσωπικός τραυματισμός ή ζημιά.

Ενεργοποίηση και απενεργοποίηση του εργαλείου

Πατήστε το κουμπί λειτουργίας για να ξεκινήσετε το εργαλείο.

Πατήστε ξανά το κουμπί λειτουργίας για να σταματήσετε το εργαλείο.

► **Εικ.3:** 1. Κουμπί λειτουργίας

Καντράν ρύθμισης ταχύτητας

ΕΙΔΟΠΟΙΗΣΗ: Αν το εργαλείο λειτουργεί συνεχόμενα σε χαμηλές ταχύτητες για μεγάλο χρονικό διάστημα, το μοτέρ θα υπερφορτωθεί και θα προκαλέσει δυσλειτουργία του εργαλείου.

ΕΙΔΟΠΟΙΗΣΗ: Το καντράν ρύθμισης ταχύτητας μπορεί να περιστραφεί μόνο μέχρι το 5 και ξανά στο 1. Μην το εξαναγκάσετε μετά το 5 ή το 1, διαφορετικά η ρύθμιση ταχύτητας δεν θα λειτουργεί.

Μπορείτε να αλλάξετε την ταχύτητα περιστροφής αν περιστρέψετε το καντράν ρύθμισης ταχύτητας. Λαμβάνεται υψηλότερη ταχύτητα όταν ο επιλογέας περιστρέφεται προς την κατεύθυνση του αριθμού 5. Και επιτυγχάνεται χαμηλότερη ταχύτητα όταν το καντράν περιστρέφεται προς την κατεύθυνση του αριθμού 1. Ανατρέξτε στον πίνακα για τη σχέση μεταξύ των αριθμητικών ρυθμίσεων στο καντράν και την κατά προσέγγιση ταχύτητα περιστροφής.

Αριθμός	Περιστροφές ανά λεπτό
1	6.000
2	6.500
3	8.000
4	9.500
5	10.000

► **Εικ.4:** 1. Καντράν ρύθμισης ταχύτητας

Ηλεκτρονική λειτουργία

Το εργαλείο είναι εξοπλισμένο με τις ακόλουθες ηλεκτρονικές λειτουργίες για εύκολο χειρισμό.

Δυνατότητα ομαλής έναρξης

Η δυνατότητα ομαλής έναρξης καταστέλλει τον κραδασμό κατά την έναρξη.

Έλεγχος σταθερής ταχύτητας

Ηλεκτρονικός έλεγχος ταχύτητας για επίτευξη σταθερής ταχύτητας.

Αυτή η δυνατότητα επιτρέπει το καλό τελείωμα επειδή η ταχύτητα του εργαλείου παραμένει σταθερή ακόμη και υπό φορτίο.

Ηλεκτρονικό φρένο

Το ηλεκτρικό φρένο σταματάει το εργαλείο γρήγορα για ασφάλεια και βολική λειτουργία.

Λειτουργία αποφυγής τυχαίας επανεκκίνησης

Όταν οποιαδήποτε πηγή τροφοδοσίας (π.χ. κασέτα μπαταριών, κ.λπ.) είναι συνδεδεμένη στο εργαλείο ενώ πατάτε το κουμπί λειτουργίας, το εργαλείο δεν ξεκινάει. Για να ξεκινήσετε το εργαλείο, πατήστε ξανά το κουμπί λειτουργίας.

Σύστημα προστασίας εργαλείου/μπαταρίας

Το εργαλείο είναι εξοπλισμένο με σύστημα προστασίας εργαλείου/μπαταρίας. Αυτό το σύστημα αποκόπτει αυτόματα την ισχύ προς το μοτέρ για να παραταθεί η διάρκεια λειτουργίας του εργαλείου και της μπαταρίας. Το εργαλείο σταματάει αυτόματα κατά τη διάρκεια της λειτουργίας εάν το εργαλείο ή η μπαταρία βρεθούν κάτω από τις παρακάτω συνθήκες:

Προστασία υπερφόρτωσης

Αν χειριστείτε το εργαλείο ή την μπαταρία με τρόπο που να τραβά αφύσικα υψηλό ρεύμα, το εργαλείο θα σταματήσει αυτόματα χωρίς προειδοποίηση. Σε αυτήν την περίπτωση, απενεργοποιήστε το εργαλείο και διακόψτε την εργασία που προκαλείει την υπερφόρτωση του εργαλείου. Στη συνέχεια, ενεργοποιήστε το εργαλείο για να ξεκινήσει και πάλι.

Προστασία υπερθέρμανσης

Σε περίπτωση υπερθέρμανσης του εργαλείου ή της μπαταρίας, το εργαλείο σταματά αυτόματα. Σε αυτήν την περίπτωση, αφήστε το εργαλείο και την μπαταρία να κρυώσουν πριν ενεργοποιήσετε ξανά το εργαλείο.

Προστασία υπερβολικής αποφόρτισης

Όταν η φόρτιση μπαταρίας δεν είναι αρκετή, το εργαλείο σταματάει αυτόματα. Σε αυτή την περίπτωση, βγάλτε την μπαταρία από το εργαλείο και φορτίστε την μπαταρία.

Προστασία και από άλλες αιτίες

Το σύστημα προστασίας έχει επίσης σχεδιαστεί για άλλες αιτίες που μπορούν να προκαλέσουν ζημιά στο εργαλείο και επιπρέπει την αυτόματη διακοπή του εργαλείου. Λάβετε όλα τα ακόλουθα βήματα για να διορθώσετε τις αιτίες, όταν το εργαλείο τεθεί σε προσωρινή διακοπή ή διακοπή κατά τη διάρκεια της λειτουργίας.

1. Βεβαιωθείτε ότι όλοι οι διακόπτες βρίσκονται στην ανενεργή θέση και, στη συνέχεια, ενεργοποιήστε ξανά το εργαλείο για επανεκκίνηση.
2. Φορτίστε την μπαταρία ή τις μπαταρίες ή αντικαταστήστε τις με επαναφορτιζόμενες μπαταρίες.
3. Αφήστε το εργαλείο και τις μπαταρίες να ψυχθούν.

Εάν δεν υπάρχει βελτίωση με την επαναφορά του συστήματος προστασίας, επικοινωνήστε με το τοπικό σας κέντρο εξυπηρέτησης της Makita.

ΣΥΝΑΡΜΟΛΟΓΗΣΗ

▲ΠΡΟΣΟΧΗ: Να βεβαιώνετε πάντα ότι το εργαλείο είναι σβηστό και η κασέτα μπαταρίας έχει αφαιρεθεί πριν εκτελέσετε κάποια εργασία στο εργαλείο.

Τοποθέτηση ή αφαίρεση του προστατευτικού πέλματος

Το προστατευτικό πέλματος εμποδίζει τη φθορά της αυτόματης προσκόλλησης με σύστημα βέλκρο με δαχτυλίδι στο πέλμα.

1. Για να τοποθετήσετε το προστατευτικό πέλματος, αφαιρέστε όλη τη βρομιά και ξένη ύλη από το πέλμα.
 2. Προσαρτήστε το προστατευτικό πέλματος στο πέλμα ευθυγραμμίζοντας τις οπές αναρρόφησης σκόνης στο προστατευτικό πέλματος με αυτές στο πέλμα.
- **Εικ.5:** 1. Προστατευτικό πέλματος 2. Πέλμα 3. Οπές αναρρόφησης σκόνης

Όταν η αυτόματη προσκόλληση με σύστημα βέλκρο στο προστατευτικό πέλματος φθαρεί, αφαιρέστε το προστατευτικό πέλματος και τοποθετήστε ένα καινούριο.

Για να αφαιρέσετε το προστατευτικό πέλματος, αφαιρέστε το προστατευτικό πέλματος τραβώντας το από το άκρο.

Τοποθέτηση ή αφαίρεση λειαντικού χαρτιού

▲ΠΡΟΣΟΧΗ: Βεβαιωθείτε ότι το λειαντικό χαρτί είναι τοποθετημένο με ασφάλεια πριν από τη χρήση. Διαφορετικά, το λειαντικό χαρτί μπορεί να αφαιρεθεί εύκολα και να προκληθεί ολίσθηση και ανομοιόμορφα αποτελέσματα λείανσης.

▲ΠΡΟΣΟΧΗ: Βεβαιωθείτε ότι το πέλμα είναι τοποθετημένο με σωστό και ασφαλή τρόπο. Ένα χαλαρό εξάρτημα θα παρουσιάσει υποβαθμισμένη ζυγοστάθμιση και θα προκαλέσει υπερβολικούς κραδασμούς, έχοντας ως αποτέλεσμα απώλεια ελέγχου.

▲ΠΡΟΣΟΧΗ: Βεβαιωθείτε ότι το πέλμα, το προστατευτικό πέλματος και το λειαντικό χαρτί είναι ευθυγραμμισμένα και ασφαλισμένα σωστά.

▲ΠΡΟΣΟΧΗ: Να χρησιμοποιείτε μόνο λειαντικά χαρτιά. Μην χρησιμοποιήσετε ποτέ λειαντικά χαρτιά που είναι ευαίσθητα στην πίεση.

ΠΑΡΑΤΗΡΗΣΗ: Το λειαντικό χαρτί μπορεί να προσαρτηθεί στο πέλμα και απευθείας.

1. Αφαιρέστε όλη τη βρομιά και ξένη ύλη από το προστατευτικό πέλματος.
 2. Προσαρτήστε το λειαντικό φύλλο στο προστατευτικό πέλματος.
 - Για λειαντικό φύλλο τύπου χαρτιού με οπές αναρρόφησης σκόνης, ευθυγραμμίστε τις οπές αναρρόφησης σκόνης στο χαρτί με αυτές στο προστατευτικό πέλματος.
 - Για λειαντικό φύλλο τύπου δίχτυ, ευθυγραμμίστε το εξωτερικό σχήμα με το προστατευτικό πέλματος.
- **Εικ.6:** 1. Λειαντικό φύλλο 2. Προστατευτικό πέλματος 3. Οπές αναρρόφησης σκόνης

Για να αφαιρέσετε το λειαντικό φύλλο, αφαιρέστε το λειαντικό φύλλο από το άκρο ενώ κρατάτε το προστατευτικό πέλματος για να μην αφαιρεθεί μαζί.

Προστατευτικό

Το προστατευτικό εμποδίζει την πρόκληση ζημιάς στο πέλαμα, στο περιβλήμα εργαλείου και στον τοίχο, όταν εργάζεστε κοντά σε τοίχο.

► **Εικ.7:** 1. Προστατευτικό

Για να τοποθετήσετε το προστατευτικό, ευθυγραμμίστε τη γλωττίδα του προστατευτικού με την αυλάκωση και ωθήστε το προστατευτικό προς τα μέσα.

Για να αφαιρέσετε το προστατευτικό, τραβήξτε το προστατευτικό προς τα μπροστά ενώ ανοίγετε τα μάνδαλα.

► **Εικ.8:** 1. Προστατευτικό 2. Αυλάκωση 3. Μάνδαλο

Τοποθέτηση και αφαίρεση του σάκου συλλογής σκόνης

Προσαρτήστε το συγκρότημα σάκου συλλογής σκόνης πάνω από το στόμιο απαγωγής σκόνης στο πίσω μέρος του περιβλήματος μοτέρ. Τοποθετήστε την είσοδο σκόνης επάνω στο στόμιο απαγωγής σκόνης μέχρι τέρμα, μέχρι να ασφαλίσει στη θέση του.

Για να αφαιρέσετε το συγκρότημα σάκου συλλογής σκόνης, κρατήστε και τραβήξτε το καπάκι σκόνης.

► **Εικ.9:** 1. Στόμιο απαγωγής σκόνης 2. Είσοδος σκόνης 3. Καπάκι σκόνης 4. Σάκος συλλογής σκόνης

ΕΙΔΟΠΟΙΗΣΗ: Μην κρατάτε τον σάκο συλλογής σκόνης όταν μεταφέρετε το εργαλείο. Διαφορετικά, το εργαλείο μπορεί να πέσει και να υποστεί βλάβη.

Απόρριψη της σκόνης

Για να εξασφαλιστεί η βέλτιστη συλλογή σκόνης, αδειάστε τον σάκο συλλογής σκόνης όταν γεμίσει σχεδόν τη μισή χωρητικότητά του.

1. Αφαιρέστε τον σάκο συλλογής σκόνης από το καπάκι σκόνης ενώ πατάτε και τα δύο κουμπιά.

2. Κτυπήστε απαλά το κάτω μέρος του σάκου συλλογής σκόνης για να αδειάσει.

► **Εικ.10:** 1. Σάκος συλλογής σκόνης 2. Καπάκι σκόνης 3. Κουμπί

Σύνδεση με ηλεκτρική σκούπα

Όταν θέλετε να εκτελέσετε εργασίες λείανσης καθαρά, συνδέστε την ηλεκτρική σκούπα της Makita στο εργαλείο που διαθέτετε.

ΕΙΔΟΠΟΙΗΣΗ: Όταν λειτουργείτε το εργαλείο με τη μηχανή αναρρόφησης πλάτης, να χρησιμοποιείτε πάντα το μπροστινό στόμιο (παρέχεται με το εργαλείο). Αν το κάνετε αυτό, μειώνεται ο στατικός ηλεκτρισμός.

1. Αφαιρέστε το άλλο στόμιο από τον εύκαμπτο σωλήνα αν είναι προσαρτημένο.

2. Βιδώστε το μπροστινό στόμιο που παρέχεται με το εργαλείο στον εύκαμπτο σωλήνα. Βεβαιωθείτε ότι το μπροστινό στόμιο έχει βιδωθεί σταθερά στον εύκαμπτο σωλήνα.

► **Εικ.11:** 1. Μπροστινό στόμιο (παρέχεται με το εργαλείο) 2. Εύκαμπτος σωλήνας 3. Ηλεκτρική σκούπα 4. Άλλο στόμιο

3. Προσαρτήστε το μπροστινό στόμιο πάνω από το στόμιο απαγωγής σκόνης του εργαλείου.

Τοποθετήστε το μπροστινό στόμιο στο στόμιο απαγωγής σκόνης μέχρι τέρμα και, στη συνέχεια, περιστρέψτε το μπροστινό στόμιο σφίχτα σύμφωνα με το βέλος, όπως απεικονίζεται στην εικόνα.

► **Εικ.12:** 1. Στόμιο απαγωγής σκόνης 2. Μπροστινό στόμιο (παρέχεται με το εργαλείο)

Για μηχανή αναρρόφησης που δεν είναι τύπου πλάτης

Μπορείτε να συνδέσετε τον εύκαμπτο σωλήνα με το μπροστινό στόμιο 22 και το μπροστινό στόμιο 24. Το μπροστινό στόμιο 22 και το μπροστινό στόμιο 24 είναι προαιρετικά εξαρτήματα ή παρέχονται με τη μηχανή αναρρόφησης.

► **Εικ.13:** 1. Μπροστινό στόμιο 22 (προαιρετικό εξάρτημα ή παρέχεται με τη μηχανή αναρρόφησης) 2. Μπροστινό στόμιο 24 (προαιρετικό εξάρτημα ή παρέχεται με τη μηχανή αναρρόφησης)

Τοποθέτηση ή αφαίρεση του προσαρμογέα μπαταρίας

ΕΙΔΟΠΟΙΗΣΗ: Βεβαιωθείτε ότι δεν έχει συσσωρευτεί σκόνη στη σύνδεση μεταξύ του εργαλείου και του προσαρμογέα μπαταρίας. Η συσσώρευση σκόνης μπορεί να προκαλέσει δυσλειτουργία.

1. Για να εγκαταστήσετε τον προσαρμογέα μπαταρίας, ευθυγραμμίστε το σημάδι βέλους στον προσαρμογέα μπαταρίας με αυτό του εργαλείου.

2. Εισαγάγετε τον προσαρμογέα μπαταρίας μέχρι τέρμα μέχρι να ασφαλίσει στη θέση του, γεγονός που υποδεικνύεται με ένα απαλό κλικ.

► **Εικ.14:** 1. Εργαλείο 2. Προσαρμογέας μπαταρίας 3. Σημάδι βέλους

Για να αφαιρέσετε τον προσαρμογέα μπαταρίας, σύρετε και αφαιρέστε τον προσαρμογέα μπαταρίας ενώ πατάτε και τα δύο κουμπιά.

► **Εικ.15:** 1. Κουμπί

Διαμόρφωση του προσαρμογέα μπαταρίας

ΠΡΟΣΟΧΗ: Μη θέσετε το εργαλείο σε λειτουργία αν το καλώδιο σύνδεσης είναι κατεστραμμένο.

ΕΙΔΟΠΟΙΗΣΗ: Μην κακομεταχειρίζεστε το καλώδιο σύνδεσης. Μη μεταφέρετε το εργαλείο τραβώντας το από το καλώδιο σύνδεσης. Να διατηρείτε το καλώδιο σύνδεσης μακριά από τη θερμότητα, λάδια και αιχμηρά αντικείμενα. Διαφορετικά, το καλώδιο σύνδεσης μπορεί να υποστεί βλάβη.

Κρεμάστε τον προσαρμογέα μπαταριών στον μαντάνα μέσης.

Ο υποδοχέα καλωδίου βοηθάει με τον χειρισμό του καλωδίου. Προσαρτήστε τον υποδοχέα καλωδίου, αν απαιτείται, με τη βίδα στα δεξιά ή στα αριστερά του προσαρμογέα μπαταρίας.

► **Εικ.16:** 1. Υποδοχέας καλωδίου

Ιμάντας βραχίονα

Ο ιμάντας βραχίονα είναι βολικός για τον χειρισμό του καλωδίου.

1. Τοποθετήστε τον ιμάντα βραχίονα στον βραχιόνιά σας και, στη συνέχεια, προσαρμόστε το μήκος του ιμάντα βραχίονα.
2. Πατήστε το καλώδιο σύνδεσης μέσω του ανοίγματος του υποδοχέα.
▶ **Εικ.17:** 1. Ιμάντας βραχίονα 2. Υποδοχέας με άνοιγμα

▲ΠΡΟΣΟΧΗ: Μην εξαναγκάζετε το άνοιγμα του συγκρατητή. Αν δεν το κάνετε αυτό, μπορεί να προκληθεί εκτροπή και ζημιά σε αυτό.

Σφιγκτήρας εύκαμπτου σωλήνα

Συμπεριλαμβάνεται με τον προσαρμογέα μπαταρίας με καλώδιο 5 m (προαιρετικό εξάρτημα)

Όταν χρησιμοποιείτε τη μηχανή αναρρόφησης συνδεδεμένη στο εργαλείο, ο σφιγκτήρας εύκαμπτου σωλήνα μπορεί να χρησιμοποιηθεί για τη συγκράτηση του καλωδίου και του εύκαμπτου σωλήνα για να εμποδιστεί το μπλέξιμο.

Κρατήστε το καλώδιο και τον εύκαμπτο σωλήνα με σφιγκτήρα εύκαμπτου σωλήνα σε διαστήματα περίπου 1 m όπως απεικονίζεται στην εικόνα.

- ▶ **Εικ.18:** 1. Σφιγκτήρας εύκαμπτου σωλήνα
2. Καλώδιο 3. Εύκαμπτος σωλήνας
4. Περίπου 1 m

ΛΕΙΤΟΥΡΓΙΑ

Λειτουργία λείανσης

▲ΠΡΟΣΟΧΗ: Να βεβαιώνεστε πάντα ότι το τεμάχιο εργασίας είναι σταθερά στερεωμένο.

▲ΠΡΟΣΟΧΗ: Φοράτε μια μάσκα για τη σκόνη όταν εργάζεστε με πολλή σκόνη.

▲ΠΡΟΣΟΧΗ: Μην αγγίζετε το περιστρεφόμενο λειαντικό χαρτί. Αν δεν το κάνετε αυτό, μπορεί να έχει ως αποτέλεσμα προσωπικό τραυματισμό.

ΕΙΔΟΠΟΙΗΣΗ: Μη θέτετε ποτέ το εργαλείο σε λειτουργία χωρίς το λειαντικό χαρτί. Μπορεί να προκαλέσετε σοβαρή ζημιά στο προστατευτικό πέλματος και στο πέλμα.

ΕΙΔΟΠΟΙΗΣΗ: Μη ζορίζετε ποτέ το εργαλείο. Η υπερβολική πίεση μπορεί να μειώσει την αποδοτικότητα της λείανσης, να καταστρέψει το λειαντικό χαρτί ή/και να μειώσει τη διάρκεια ζωής του εργαλείου.

ΕΙΔΟΠΟΙΗΣΗ: Μην χρησιμοποιείτε το εργαλείο για στίλβωμα. Μην προσαρτάτε το εξάρτημα στίλβωματος, όπως τον στόγγο, στο εργαλείο. Διαφορετικά, μπορεί να προκύψει δυσλειτουργία.

Να κρατάτε το εργαλείο σταθερά. Ενεργοποιήστε το εργαλείο και περιμένετε έως ότου αποκτήσει την προσαρμοσμένη ταχύτητα. Στη συνέχεια, τοποθετήστε απαλά το εργαλείο στην επιφάνεια του τεμαχίου

εργασίας. Διατηρήστε το πέλμα επίπεδο πάνω στο τεμάχιο εργασίας και μην πιέζετε το εργαλείο.

▶ **Εικ.19**

Λειτουργία με εξάρτηση

Προαιρετικό αξεσουάρ

Η εξάρτηση επιτρέπει τη λειτουργία ενώ μεταφέρετε τον προσαρμογέα μπαταρίας στην πλάτη σας. Το караμπίνερ μπορεί να προσαρτηθεί στην εξάρτηση. Το εργαλείο μπορεί να γαντζωθεί στο караμπίνερ με τον γάντζο. Για την τοποθέτηση του γάντζου, ανατρέξτε στην παράγραφο « Τοποθέτηση γάντζου ».

▶ **Εικ.20:** 1. Εξάρτηση 2. Караμπίνερ

Λειτουργία με το προστατευτικό κάλυμμα

Προαιρετικό αξεσουάρ

ΕΙΔΟΠΟΙΗΣΗ: Πριν επιλέξετε το προστατευτικό κάλυμμα, βεβαιωθείτε ότι το προστατευτικό κάλυμμα είναι συμβατό με τη μηχανή αναρρόφησης πλάτης. Το προστατευτικό κάλυμμα μπορεί να προσαρτηθεί μόνο σε ειδικά μοντέλα της μηχανής αναρρόφησης πλάτης.

Παραδείγματα συμβατού μοντέλου:

- VC008G / GCV05
- VC009G / GCV06

Παραπάνω αναφέρονται μερικά παραδείγματα. Για λεπτομέρειες, ρωτήστε το κέντρο σέρβις αν η μηχανή αναρρόφησης πλάτης που διαθέτετε είναι συμβατή με το προστατευτικό κάλυμμα.

Το προστατευτικό κάλυμμα προστατεύει τη μηχανή αναρρόφησης πλάτης και τον προσαρμογέα μπαταρίας, και επιτρέπει τη λειτουργία με τη μεταφορά της μηχανής αναρρόφησης πλάτης και του προσαρμογέα μπαταρίας μαζί στην πλάτη σας.

1. Αφαιρέστε τις βίδες που ασφαλίζουν την εξάρτηση της μηχανής αναρρόφησης πλάτης.

▶ **Εικ.21:** 1. Μηχανή αναρρόφησης πλάτης
2. Εξάρτηση της μηχανής αναρρόφησης πλάτης 3. Βίδα

2. Τυλίξτε τη μηχανή αναρρόφησης πλάτης με το προστατευτικό κάλυμμα (για μηχανή αναρρόφησης πλάτης).

▶ **Εικ.22:** 1. Προστατευτικό κάλυμμα (για μηχανή αναρρόφησης πλάτης)

3. Ασφαλίστε την εξάρτηση της μηχανής αναρρόφησης πλάτης στερεώνοντας τις βίδες.

▶ **Εικ.23**

4. Αποθηκεύστε τα εξαρτήματα μπαταρίας του προσαρμογέα μπαταρίας στο προστατευτικό κάλυμμα (για τον προσαρμογέα μπαταρίας) και, στη συνέχεια, περάστε το προστατευτικό κάλυμμα (για τον προσαρμογέα μπαταρίας) στην εξάρτηση όπως απεικονίζεται στην εικόνα.

▶ **Εικ.24:** 1. Προστατευτικό κάλυμμα (για τον προσαρμογέα μπαταρίας)

5. Το караμπίνερ μπορεί να προσαρτηθεί στην εξάρτηση. Το εργαλείο μπορεί να γαντζωθεί στο караμπίνερ

με τον γάντζο. Για την τοποθέτηση του γάντζου, ανατρέξτε στην παράγραφο «*Τοποθέτηση γάντζου*».

- **Εικ.25:** 1. Προστατευτικό κάλυμμα (για τον προσαρμογέα μπαταρίας) 2. Προστατευτικό κάλυμμα (για μηχανή αναρρόφησης πλάτης) 3. Καραμπίνερ

Τοποθέτηση γάντζου

▲ ΠΡΟΕΙΔΟΠΟΙΗΣΗ: Χρησιμοποιήστε τα εξαρτήματα ανάρτησης/στερέωσης μόνο για τον σκοπό που προορίζονται, π.χ. κρέμασμα του εργαλείου σε ζώνη εργαλείων μεταξύ εργασιών ή διαλειμμάτων.

▲ ΠΡΟΕΙΔΟΠΟΙΗΣΗ: Προσέχετε να μην υπερφορτώσετε τον γάντζο με πολύ δύναμη. Διαφορετικά, η ακανόνιστη υπερφόρτωση μπορεί να προκαλέσει ζημιά στο εργαλείο έχοντας ως αποτέλεσμα προσωπικό τραυματισμό.

▲ ΠΡΟΣΟΧΗ: Όταν τοποθετείτε τον γάντζο, να τον ασφαρίζετε πάντα καλά με τη βίδα. Διαφορετικά, ο γάντζος μπορεί να βγει από το εργαλείο και να έχει ως αποτέλεσμα ατομικό τραυματισμό.

▲ ΠΡΟΣΟΧΗ: Βεβαιωθείτε να κρεμάσετε το εργαλείο με ασφάλεια πριν το αφήσετε. Το ανεπαρκές ή ανισόρροπο κρέμασμα σε γάντζο μπορεί να προκαλέσει πτώση και μπορεί να τραυματιστείτε.

▲ ΠΡΟΣΟΧΗ: Χρησιμοποιήστε το καραμπίνερ που έχει επαρκή δύναμη. Διαφορετικά, το καραμπίνερ μπορεί να σπάσει και να προκληθεί τραυματισμός.

Το εργαλείο μπορεί να γαντζωθεί στο καραμπίνερ με τον γάντζο.

- **Εικ.26:** 1. Γάντζος 2. Καραμπίνερ

Ο γάντζος μπορεί να τοποθετηθεί σε οποιαδήποτε πλευρά του εργαλείου. Για να τοποθετήσετε τον γάντζο, εισαγάγετέ τον στην οπή στο εργαλείο και, στη συνέχεια, ασφαλίστε τον γάντζο με μια βίδα. Για να τον αφαιρέσετε, χαλαρώστε τη βίδα και μετά αφαιρέστε τον.

- **Εικ.27:** 1. Οπή 2. Γάντζος 3. Βίδα

ΛΕΙΤΟΥΡΓΙΑ ΑΣΥΡΜΑΤΗΣ ΕΝΕΡΓΟΠΟΙΗΣΗΣ

Τι μπορείτε να κάνετε με τη λειτουργία ασύρματης ενεργοποίησης

Η λειτουργία ασύρματης ενεργοποίησης επιτρέπει την καθαρή και άνετη λειτουργία. Αν συνδέσετε μια υποστηρίξιμη ηλεκτρική σκούπα στο εργαλείο, μπορείτε να χρησιμοποιείτε την ηλεκτρική σκούπα αυτόματα μαζί με τη λειτουργία διακοπής του εργαλείου.

- **Εικ.28**

Για να χρησιμοποιήσετε τη λειτουργία ασύρματης ενεργοποίησης, προετοιμάστε τα ακόλουθα στοιχεία:

- Μια ασύρματη μονάδα (προαιρετικό εξάρτημα)

- Ηλεκτρική σκούπα που υποστηρίζει τη λειτουργία ασύρματης ενεργοποίησης

Η σύνοψη της ρύθμισης λειτουργίας ασύρματης ενεργοποίησης είναι η εξής. Ανατρέξτε σε κάθε τμήμα για λεπτομερείς διαδικασίες.

1. Εγκατάσταση της ασύρματης μονάδας
2. Καταχώρηση εργαλείου για την ηλεκτρική σκούπα
3. Έναρξη της λειτουργίας ασύρματης ενεργοποίησης

Εγκατάσταση της ασύρματης μονάδας

Προαιρετικό εξάρτημα

▲ ΠΡΟΣΟΧΗ: Τοποθετήστε το εργαλείο σε μια επίπεδη και σταθερή επιφάνεια όταν εγκαθιστάτε την ασύρματη μονάδα.

ΕΙΔΟΠΟΙΗΣΗ: Καθαρίστε τη σκόνη και τη βρομιά στο εργαλείο πριν τοποθετήσετε την ασύρματη μονάδα. Η σκόνη ή η βρομιά μπορεί να προκαλέσει δυσλειτουργία αν έρθει σε επαφή με τη σχισμή της ασύρματης μονάδας.

ΕΙΔΟΠΟΙΗΣΗ: Για να αποτρέψετε τη δυσλειτουργία που προκαλείται από στατικό ηλεκτρισμό, αγγίξτε κάποιο υλικό στατικής εκκένωσης, όπως ένα μεταλλικό εξάρτημα του εργαλείου, πριν σηκώσετε την ασύρματη μονάδα.

ΕΙΔΟΠΟΙΗΣΗ: Όταν τοποθετείτε την ασύρματη μονάδα, να βεβαιώνετε πάντα ότι η ασύρματη μονάδα έχει εισαχθεί με τη σωστή κατεύθυνση και το καπάκι είναι εντελώς κλειστό.

1. Ανοίξτε το καπάκι στο εργαλείο όπως απεικονίζεται στην εικόνα.

- **Εικ.29:** 1. Καπάκι

2. Εισαγάγετε την ασύρματη μονάδα στη σχισμή και μετά κλείστε το καπάκι.

Όταν εισαγάγετε την ασύρματη μονάδα, ευθυγραμμίστε τις προεξοχές με τα βαθουλωτά τμήματα στη σχισμή.

- **Εικ.30:** 1. Ασύρματη μονάδα 2. Προεξοχή 3. Καπάκι 4. Βαθουλωτό τμήμα

Όταν αφαιρέτε την ασύρματη μονάδα, ανοίξτε το καπάκι αργά. Οι γάντζοι στο πίσω μέρος του καπακιού θα σηκώσουν την ασύρματη μονάδα καθώς τραβάτε το καπάκι προς τα πάνω.

- **Εικ.31:** 1. Ασύρματη μονάδα 2. Γάντζος 3. Καπάκι

Αφού αφαιρέσετε την ασύρματη μονάδα, να τη διατηρείτε μέσα στην παρεχόμενη θήκη ή μέσα σε δοχείο χωρίς στατικό ηλεκτρισμό.

ΕΙΔΟΠΟΙΗΣΗ: Να χρησιμοποιείτε πάντα τους γάντζους στο πίσω μέρος του καπακιού όταν αφαιρέτε την ασύρματη μονάδα. Αν οι γάντζοι δεν ασφαλίσουν την ασύρματη μονάδα, κλείστε εντελώς το καπάκι και ανοίξτε το ξανά αργά.

Καταχώρηση εργαλείου για την ηλεκτρική σκούπα

ΠΑΡΑΤΗΡΗΣΗ: Για την καταχώρηση εργαλείου, απαιτείται ηλεκτρική σκούπα Makita που υποστηρίζει τη λειτουργία ασύρματης ενεργοποίησης.

ΠΑΡΑΤΗΡΗΣΗ: Ολοκληρώστε την εγκατάσταση της ασύρματης μονάδας στο εργαλείο πριν ξεκινήσετε την καταχώρηση εργαλείου.

ΠΑΡΑΤΗΡΗΣΗ: Κατά την καταχώρηση εργαλείου, μην τραβήξετε τη σκανδάλη διακόπτη ούτε να ενεργοποιήσετε το διακόπτη λειτουργίας στην ηλεκτρική σκούπα.

ΠΑΡΑΤΗΡΗΣΗ: Ανατρέξτε και στο εγχειρίδιο οδηγιών της ηλεκτρικής σκούπας.

Αν επιθυμείτε να ενεργοποιήσετε την ηλεκτρική σκούπα μαζί με τη λειτουργία διακόπτη του εργαλείου, ολοκληρώστε εκ των προτέρων την καταχώρηση εργαλείου.

1. Τοποθετήστε τις μπαταρίες στην ηλεκτρική σκούπα και στο εργαλείο.
2. Θέστε τον διακόπτη αναμονής στην ηλεκτρική σκούπα στη θέση «AUTO».
► **Εικ.32:** 1. Διακόπτης αναμονής
3. Πατήστε το κουμπί ασύρματης ενεργοποίησης στην ηλεκτρική σκούπα για 3 δευτερόλεπτα μέχρι η λυχνία ασύρματης ενεργοποίησης αναβοσβήνει με πράσινο χρώμα. Και μετά πατήστε το κουμπί ασύρματης ενεργοποίησης στο εργαλείο με τον ίδιο τρόπο.
► **Εικ.33:** 1. Κουμπί ασύρματης ενεργοποίησης
2. Λυχνία ασύρματης ενεργοποίησης

Αν η ηλεκτρική σκούπα και το εργαλείο συνδεθούν με επιτυχία, οι λυχνίες ασύρματης ενεργοποίησης θα ανάψουν με πράσινο χρώμα για 2 δευτερόλεπτα και θα αρχίσουν να αναβοσβήνουν με μπλε χρώμα.

ΠΑΡΑΤΗΡΗΣΗ: Οι λυχνίες ασύρματης ενεργοποίησης θα αρχίσουν να αναβοσβήνουν με πράσινο χρώμα αφού περάσουν 20 δευτερόλεπτα. Πατήστε το κουμπί ασύρματης ενεργοποίησης στο εργαλείο ενώ η λυχνία ασύρματης ενεργοποίησης αναβοσβήνει στη σκούπα. Αν η λυχνία ασύρματης ενεργοποίησης δεν αναβοσβήνει με πράσινο χρώμα, πατήστε για λίγο το κουμπί ασύρματης ενεργοποίησης και κρατήστε το ξανά πατημένο.

ΠΑΡΑΤΗΡΗΣΗ: Όταν εκτελείτε δύο ή περισσότερες καταχωρήσεις εργαλείων για μία ηλεκτρική σκούπα, ολοκληρώστε την καταχώρηση εργαλείου ένα τη φορά.

Έναρξη της λειτουργίας ασύρματης ενεργοποίησης

ΠΑΡΑΤΗΡΗΣΗ: Ολοκληρώστε την καταχώρηση εργαλείου για την ηλεκτρική σκούπα πριν από την ασύρματη ενεργοποίηση.

ΠΑΡΑΤΗΡΗΣΗ: Ανατρέξτε και στο εγχειρίδιο οδηγιών της ηλεκτρικής σκούπας.

Αφού καταχωρήσετε ένα εργαλείο με την ηλεκτρική σκούπα, η ηλεκτρική σκούπα θα λειτουργεί αυτόματα μαζί με τη λειτουργία διακόπτη του εργαλείου.

1. Εγκαταστήστε την ασύρματη μονάδα στο εργαλείο.
2. Συνδέστε τον εύκαμπτο σωλήνα της ηλεκτρικής σκούπας με το εργαλείο.
► **Εικ.34**
3. Θέστε τον διακόπτη αναμονής στην ηλεκτρική σκούπα στη θέση «AUTO».
► **Εικ.35:** 1. Διακόπτης αναμονής
4. Πατήστε σύντομα το κουμπί ασύρματης ενεργοποίησης στο εργαλείο. Η λυχνία ασύρματης ενεργοποίησης θα αναβοσβήνει με μπλε χρώμα.
► **Εικ.36:** 1. Κουμπί ασύρματης ενεργοποίησης
2. Λυχνία ασύρματης ενεργοποίησης
5. Ενεργοποιήστε το εργαλείο. Ελέγξτε αν η ηλεκτρική σκούπα λειτουργεί ενώ το εργαλείο λειτουργεί.

Για να σταματήσετε την ασύρματη ενεργοποίηση της ηλεκτρικής σκούπας, πατήστε το κουμπί ασύρματης ενεργοποίησης στο εργαλείο.

ΠΑΡΑΤΗΡΗΣΗ: Η λυχνία ασύρματης ενεργοποίησης στο εργαλείο θα σταματήσει να αναβοσβήνει με μπλε χρώμα όταν δεν υπάρχει λειτουργία για 2 ώρες. Σε αυτή την περίπτωση, θέστε το διακόπτη αναμονής στην ηλεκτρική σκούπα στη θέση «AUTO» και πατήστε ξανά το κουμπί ασύρματης ενεργοποίησης στο εργαλείο.

ΠΑΡΑΤΗΡΗΣΗ: Η ηλεκτρική σκούπα αρχίζει/σταματάει με καθυστέρηση. Υπάρχει χρονική καθυστέρηση όταν η ηλεκτρική σκούπα ανιχνεύει τη λειτουργία διακόπτη του εργαλείου.

ΠΑΡΑΤΗΡΗΣΗ: Η απόσταση μετάδοσης της ασύρματης μονάδας μπορεί να ποικίλλει ανάλογα με την τοποθεσία και τις περιβάλλουσες συνθήκες.

ΠΑΡΑΤΗΡΗΣΗ: Όταν δύο ή περισσότερα εργαλεία καταχωρούνται σε μία ηλεκτρική σκούπα, η ηλεκτρική σκούπα μπορεί να αρχίσει να λειτουργεί ακόμη κι αν δεν ενεργοποιείτε το εργαλείο επειδή κάποιος άλλος χρήστης χρησιμοποίησε τη λειτουργία ασύρματης ενεργοποίησης.

Περιγραφή της κατάστασης της λυχνίας ασύρματης ενεργοποίησης

- **Εικ.37:** 1. Λυχνία ασύρματης ενεργοποίησης

Η λυχνία ασύρματης ενεργοποίησης δείχνει την κατάσταση της λειτουργίας ασύρματης ενεργοποίησης. Ανατρέξτε στον παρακάτω πίνακα για τη σημασία της κατάστασης λυχνίας.

Κατάσταση	Λυχνία ασύρματης ενεργοποίησης				Περιγραφή
	Χρώμα	<input type="checkbox"/> Αναμμένη	<input checked="" type="checkbox"/> Αναβοσβήνει	Διάρκεια	
Αναμονή	Μπλε	<input checked="" type="checkbox"/>		2 ώρες	Η ασύρματη ενεργοποίηση της ηλεκτρικής σκούπας είναι διαθέσιμη. Η λυχνία θα σβήσει αυτόματα όταν δεν εκτελεστεί καμία λειτουργία για 2 ώρες.
		<input type="checkbox"/>		Όταν το εργαλείο λειτουργεί.	Η ασύρματη ενεργοποίηση της ηλεκτρικής σκούπας είναι διαθέσιμη και το εργαλείο λειτουργεί.
Καταχώρηση εργαλείου	Πράσινη	<input checked="" type="checkbox"/>		20 δευτερόλεπτα	Έτοιμο για καταχώρηση εργαλείου. Σε αναμονή για καταχώρηση από την ηλεκτρική σκούπα.
		<input type="checkbox"/>		2 δευτερόλεπτα	Η καταχώρηση εργαλείου έχει ολοκληρωθεί. Η λυχνία ασύρματης ενεργοποίησης θα αρχίσει να αναβοσβήνει με μπλε χρώμα.
Ακύρωση καταχώρησης εργαλείου	Κόκκινη	<input checked="" type="checkbox"/>		20 δευτερόλεπτα	Έτοιμο για ακύρωση της καταχώρησης εργαλείου. Σε αναμονή για ακύρωση από την ηλεκτρική σκούπα.
		<input type="checkbox"/>		2 δευτερόλεπτα	Η ακύρωση της καταχώρησης εργαλείου έχει ολοκληρωθεί. Η λυχνία ασύρματης ενεργοποίησης θα αρχίσει να αναβοσβήνει με μπλε χρώμα.
Άλλες	Κόκκινη	<input type="checkbox"/>		3 δευτερόλεπτα	Η ισχύς παρέχεται στην ασύρματη μονάδα και η λειτουργία ασύρματης ενεργοποίησης εκκινείται.
	Σβηστή	-		-	Η ασύρματη ενεργοποίηση της ηλεκτρικής σκούπας έχει σταματήσει.

Ακύρωση καταχώρησης εργαλείου για την ηλεκτρική σκούπα

Εκτελέστε την ακόλουθη διαδικασία όταν ακυρώνετε την καταχώρηση εργαλείου για την ηλεκτρική σκούπα.

1. Τοποθετήστε τις μπαταρίες στην ηλεκτρική σκούπα και στο εργαλείο.
2. Θέστε τον διακόπτη αναμονής στην ηλεκτρική σκούπα στη θέση «AUTO».
► **Εικ.38:** 1. Διακόπτης αναμονής
3. Πατήστε το κουμπί ασύρματης ενεργοποίησης στην ηλεκτρική σκούπα για 6 δευτερόλεπτα. Η λυχνία ασύρματης ενεργοποίησης αναβοσβήνει με πράσινο χρώμα και μετά γίνεται κόκκινη. Μετά από αυτό, πατήστε το κουμπί ασύρματης ενεργοποίησης στο εργαλείο

με τον ίδιο τρόπο.

- **Εικ.39:** 1. Κουμπί ασύρματης ενεργοποίησης
2. Λυχνία ασύρματης ενεργοποίησης

Αν η ακύρωση εκτελεστεί με επιτυχία, οι λυχνίες ασύρματης ενεργοποίησης θα ανάψουν με κόκκινο χρώμα για 2 δευτερόλεπτα και θα αρχίσουν να αναβοσβήνουν με μπλε χρώμα.

ΠΑΡΑΤΗΡΗΣΗ: Οι λυχνίες ασύρματης ενεργοποίησης θα αρχίσουν να αναβοσβήνουν με κόκκινο χρώμα αφού περάσουν 20 δευτερόλεπτα. Πατήστε το κουμπί ασύρματης ενεργοποίησης στο εργαλείο ενώ η λυχνία ασύρματης ενεργοποίησης αναβοσβήνει στη σκούπα. Αν η λυχνία ασύρματης ενεργοποίησης δεν αναβοσβήνει με κόκκινο χρώμα, πατήστε για λίγο το κουμπί ασύρματης ενεργοποίησης και κρατήστε το ξανά πατημένο.

Αντιμετώπιση προβλημάτων για τη λειτουργία ασύρματης ενεργοποίησης

Πριν ζητήσετε επισκευές, εκτελέστε αρχικά τη δική σας επιθεώρηση. Αν εντοπίσετε πρόβλημα που δεν επεξηγείται στο εγχειρίδιο, μην επιχειρήσετε να αποσυναρμολογήσετε το εργαλείο. Αντ' αυτού, ζητήστε βοήθεια από εξουσιοδοτημένα κέντρα εξυπηρέτησης της Makita και πάντοτε να χρησιμοποιείτε γνήσια ανταλλακτικά της Makita.

Κατάσταση προβλήματος	Πιθανή αιτία (δυσλειτουργία)	Αποκατάσταση
Η λυχνία ασύρματης ενεργοποίησης δεν ανάβει/αναβοσβήνει.	Η ασύρματη μονάδα δεν είναι εγκατεστημένη στο εργαλείο. Η ασύρματη μονάδα είναι εγκατεστημένη στο εργαλείο λανθασμένα.	Τοποθετήστε σωστά την ασύρματη μονάδα.
	Ο ακροδέκτης της ασύρματης μονάδας ή/και η σχισμή είναι βρόμικα.	Σκουπίστε απαλά τη σκόνη και τη βρομιά από τον ακροδέκτη της ασύρματης μονάδας και καθαρίστε τη σχισμή.
	Το κουμπί ασύρματης ενεργοποίησης στο εργαλείο δεν έχει πατηθεί.	Πατήστε σύντομα το κουμπί ασύρματης ενεργοποίησης στο εργαλείο.
	Ο διακόπτης αναμονής στην ηλεκτρική σκούπα δεν έχει τεθεί στη θέση «AUTO».	Θέστε τον διακόπτη αναμονής στην ηλεκτρική σκούπα στη θέση «AUTO».
	Δεν υπάρχει παροχή ρεύματος	Παρέχετε ισχύ στο εργαλείο και την ηλεκτρική σκούπα.

Κατάσταση προβλήματος	Πιθανή αιτία (δυσλειτουργία)	Αποκατάσταση
Δεν είναι δυνατή η ολοκλήρωση της καταχώρησης εργαλείου / ακύρωσης καταχώρησης εργαλείου με επιτυχία.	Η ασύρματη μονάδα δεν είναι εγκατεστημένη στο εργαλείο. Η ασύρματη μονάδα είναι εγκατεστημένη στο εργαλείο λανθασμένα.	Τοποθετήστε σωστά την ασύρματη μονάδα.
	Ο ακροδέκτης της ασύρματης μονάδας ή/και η σχισμή είναι βρόμικα.	Σκουπίστε απαλά τη σκόνη και τη βρομιά από τον ακροδέκτη της ασύρματης μονάδας και καθαρίστε τη σχισμή.
	Ο διακόπτης αναμονής στην ηλεκτρική σκούπα δεν έχει τεθεί στη θέση «AUTO».	Θέστε τον διακόπτη αναμονής στην ηλεκτρική σκούπα στη θέση «AUTO».
	Δεν υπάρχει παροχή ρεύματος	Παρέχετε ισχύ στο εργαλείο και την ηλεκτρική σκούπα.
	Λανθασμένη λειτουργία	Πατήστε σύντομα το κουμπί ασύρματης ενεργοποίησης και πραγματοποιήστε ξανά τις διαδικασίες καταχώρησης/ακύρωσης εργαλείου.
	Το εργαλείο και η ηλεκτρική σκούπα βρίσκονται σε αρκετή απόσταση μεταξύ τους (εκτός του εύρους μετάδοσης).	Φέρετε το εργαλείο και την ηλεκτρική σκούπα πιο κοντά. Η μέγιστη απόσταση μετάδοσης είναι περίπου 10 μέτρα, ωστόσο, μπορεί να διαφέρει ανάλογα με τις συνθήκες.
	Πριν τελειώσετε την καταχώρηση/ακύρωση του εργαλείου, - ο διακόπτης του εργαλείου είναι τραβηγμένος, ή - το κουμπί λειτουργίας στην ηλεκτρική σκούπα είναι ενεργοποιημένο.	Πατήστε σύντομα το κουμπί ασύρματης ενεργοποίησης και πραγματοποιήστε ξανά τις διαδικασίες καταχώρησης/ακύρωσης εργαλείου.
	Δεν έχουν ολοκληρωθεί οι διαδικασίες καταχώρησης εργαλείων για το εργαλείο ή την ηλεκτρική σκούπα.	Εκτελέστε τις διαδικασίες καταχώρησης εργαλείου για το εργαλείο και την ηλεκτρική σκούπα ταυτόχρονα.
	Ραδιοφωνικά παράσιτα από άλλες συσκευές που παράγουν ραδιοκύματα υψηλής έντασης.	Διατηρήστε το εργαλείο και την ηλεκτρική σκούπα μακριά από τις συσκευές, όπως συσκευές Wi-Fi και φούρνους μικροκυμάτων.
Η ηλεκτρική σκούπα δεν λειτουργεί μαζί με τη λειτουργία διακοπής του εργαλείου.	Η ασύρματη μονάδα δεν είναι εγκατεστημένη στο εργαλείο. Η ασύρματη μονάδα είναι εγκατεστημένη στο εργαλείο λανθασμένα.	Τοποθετήστε σωστά την ασύρματη μονάδα.
	Ο ακροδέκτης της ασύρματης μονάδας ή/και η σχισμή είναι βρόμικα.	Σκουπίστε απαλά τη σκόνη και τη βρομιά από τον ακροδέκτη της ασύρματης μονάδας και καθαρίστε τη σχισμή.
	Το κουμπί ασύρματης ενεργοποίησης στο εργαλείο δεν έχει πατηθεί.	Πατήστε για λίγο το κουμπί ασύρματης ενεργοποίησης και βεβαιωθείτε ότι η λυχνία ασύρματης ενεργοποίησης αναβοσβήνει με μπλε χρώμα.
	Ο διακόπτης αναμονής στην ηλεκτρική σκούπα δεν έχει τεθεί στη θέση «AUTO».	Θέστε τον διακόπτη αναμονής στην ηλεκτρική σκούπα στη θέση «AUTO».
	Περισσότερα από 10 εργαλεία έχουν καταχωρηθεί με την ηλεκτρική σκούπα.	Πραγματοποιήστε ξανά την καταχώρηση εργαλείου. Αν περισσότερα από 10 εργαλεία είναι καταχωρημένα στην ηλεκτρική σκούπα, το εργαλείο που είχε καταχωρηθεί πιο νωρίς θα ακυρωθεί αυτόματα.
	Η ηλεκτρική σκούπα έσβησε όλες τις καταχωρήσεις εργαλείων.	Πραγματοποιήστε ξανά την καταχώρηση εργαλείου.
	Δεν υπάρχει παροχή ρεύματος	Παρέχετε ισχύ στο εργαλείο και την ηλεκτρική σκούπα.
	Το εργαλείο και η ηλεκτρική σκούπα βρίσκονται σε αρκετή απόσταση μεταξύ τους (εκτός του εύρους μετάδοσης).	Φέρετε το εργαλείο και την ηλεκτρική σκούπα πιο κοντά. Η μέγιστη απόσταση μετάδοσης είναι περίπου 10 μέτρα, ωστόσο, μπορεί να διαφέρει ανάλογα με τις συνθήκες.
	Ραδιοφωνικά παράσιτα από άλλες συσκευές που παράγουν ραδιοκύματα υψηλής έντασης.	Διατηρήστε το εργαλείο και την ηλεκτρική σκούπα μακριά από τις συσκευές, όπως συσκευές Wi-Fi και φούρνους μικροκυμάτων.
Η ηλεκτρική σκούπα λειτουργεί ενώ το εργαλείο δεν λειτουργεί.	Άλλοι χρήστες χρησιμοποιούν την ασύρματη ενεργοποίηση της ηλεκτρικής σκούπας με τα εργαλεία τους.	Κλείστε το κουμπί ασύρματης ενεργοποίησης των άλλων εργαλείων ή ακυρώστε την καταχώρηση εργαλείου των άλλων εργαλείων.

ΣΥΝΤΗΡΗΣΗ

⚠ ΠΡΟΣΟΧΗ: Πριν την εκτέλεση εργασιών επιθεώρησης ή συντήρησης, πάντοτε να βεβαιώνετε ότι η συσκευή απενεργοποιήθηκε και η κασέτα μπαταριών έχει αφαιρεθεί.

ΕΙΔΟΠΟΙΗΣΗ: Μην χρησιμοποιείτε ποτέ βενζίνη, πετρελαϊκό αιθέρα, διαλυτικό, αλκοόλη ή παρόμοιες ουσίες. Μπορεί να προκληθεί αποχρωματισμός, παραμόρφωση ή ρωγμές.

Για τη διατήρηση της ΑΣΦΑΛΕΙΑΣ και ΑΞΙΟΠΙΣΤΙΑΣ του προϊόντος, οι επισκευές και οποιαδήποτε άλλη εργασία συντήρησης ή ρύθμισης πρέπει να εκτελούνται από εξουσιοδοτημένα ή εργοστασιακά κέντρα εξυπηρέτησης της Makita, χρησιμοποιώντας πάντοτε ανταλλακτικά της Makita.

Μετά τη χρήση

Σκουπίστε το εργαλείο χρησιμοποιώντας ένα στεγνό πανί ή ένα πανί λίγο υγραμένο με σαπουνό νερο σε τακτά χρονικά διαστήματα.

Αντικατάσταση του πέλματος

Αντικαταστήστε το πέγμα στις ακόλουθες περιπτώσεις.

- Όταν ο σύνδεσμος αυτόματης προσκόλλησης με σύστημα βέλκρο στο πέγμα φθαρεί.
- Όταν θέλετε να αλλάξετε το πέγμα από ορθογώνιο σε δελτοειδές ή αντίστροφα.

1. Χαλαρώστε και αφαιρέστε τις βίδες που ασφαλίζουν το πέγμα και τη βάση από το εργαλείο.

► **Εικ.40:** 1. Βίδα 2. Πέγμα 3. Βάση

2. Αντικαταστήστε το τρέχον πέγμα και βάση με ένα άλλο πέγμα και βάση.

3. Σφίξτε ξανά τις βίδες καλά για να ασφαλίσετε το πέγμα.

ΠΡΟΑΙΡΕΤΙΚΑ ΕΞΑΡΤΗΜΑΤΑ

⚠ ΠΡΟΣΟΧΗ: Αυτά τα εξαρτήματα ή προσαρτήματα συνιστώνται για χρήση με το εργαλείο Makita που περιγράφηκε στις οδηγίες αυτές. Η χρήση οποιωνδήποτε άλλων εξαρτημάτων ή προσαρτημάτων μπορεί να προκαλέσει κίνδυνο τραυματισμού σε άτομα. Να χρησιμοποιείτε τα εξαρτήματα ή προσαρτήματα μόνο για την χρήση που προορίζονται.

Εάν χρειάζεστε οποιαδήποτε βοήθεια για περισσότερες πληροφορίες σε σχέση με αυτά τα εξαρτήματα, απευθυνθείτε στο τοπικό σας κέντρο εξυπηρέτησης Makita.

- Λειαντικό χαρτί (άγκιστρο και βρόχος)
- Προστατευτικό πέλματος
- Ορθογώνιο πέγμα
- Δελτοειδές πέγμα
- Σάκος συλλογής σκόνης
- Εξάρτηση
- Προστατευτικό κάλυμμα

- Προσαρμογέας μπαταρίας
- Ασύρματη μονάδα
- Γνήσια μπαταρία και φορτιστής της Makita

ΠΑΡΑΤΗΡΗΣΗ: Μερικά στοιχεία στη λίστα μπορεί να συμπεριλαμβάνονται στη συσκευασία εργαλείου ως στάνταρ εξαρτήματα. Μπορεί να διαφέρουν ανάλογα με τη χώρα.

TEKNİK ÖZELLİKLER

Model:	BO005CG	BO006CG
Standart donanımlı yastık	Dikdörtgen ped	Üçgen yastık
Zımpara kağıdı	Dikdörtgen ped için	80 mm x 130 mm
	Üçgen yastık için	100 mm x 150 mm
Dakikada devir	6.000 - 10.000 min ⁻¹	
Yörünge çapı	3,0 mm	
Toplam uzunluk	236 mm	263 mm
Nominal voltaj	D.C. 36 V - 40 V maks	
Net ağırlık *1	0,93 kg	

- Sürekli yapılan araştırma ve geliştirmelerden dolayı, burada belirtilen özellikler önceden bildirilmeksizin değiştirilebilir.
- Özellikler ülkeden ülkeye değişebilir.
- Tabloda EPTA-Prosedürü 01/2014 uyarınca olan ağırlık gösterilmiştir.

*1: Aksesuarlar veya batarya kartuşları olmaksızın ağırlık

Geçerli batarya kartuşu ve şarj aleti

Batarya kartuşu	BL4020* / BL4025* / BL4040* / BL4040F* / BL4050F / BL4080F * : Önerilen batarya
Şarj aleti	DC40RA / DC40RB / DC40RC / DC40WA

- Yukarıda listelenen batarya kartuşlarının ve şarj aletlerinin bazıları yaşadığınız bölgeye bağlı olarak mevcut olmayabilir.

⚠UYARI: Sadece yukarıda listelenen batarya kartuşlarını ve şarj aletlerini kullanın. Başka batarya kartuşlarının ve şarj aletlerinin kullanılması yaralanma ve/veya yangına neden olabilir.

Önerilen kablo bağlantılı güç kaynağı

Taşınabilir güç ünitesi	PDC01 / PDC1200 / PDC1500
-------------------------	---------------------------

- Yukarıda listelenen kablo bağlantılı güç kaynakları yaşadığınız bölgeye bağlı olarak mevcut olmayabilir.
- Kablo bağlantılı güç kaynağını kullanmadan önce, üzerindeki uyarı işaretlerini ve talimatı okuyun.

Semboller

Ekipmanı için kullanılabilecek semboller aşağıda gösterilmiştir. Kullanmadan önce anlamlarını anladığınızdan emin olun.



Kullanma kılavuzunu okuyun.



Koruyucu gözlük takın.



Çok özenli ve dikkatli kullanın.



Yaralanma riskini azaltmak için kabloyu engellerden uzak tutun.



Kabloyu amacı dışında kullanmayın. Hasarlı kablo yaralanma riskini artırır.



Ni-MH
Li-ion

Sadece AB ülkeleri için
Ekipmanda tehlikeli bileşenler bulunduğundan dolayı atık elektrikli ve elektronik ekipmanlar, aküler ve bataryalar çevre ve insan sağlığı üzerinde olumsuz etkiye yol açabilir.

Elektrikli ve elektronik cihazları veya bataryaları evsel atıklarla birlikte atmayın!
Atık elektrikli ve elektronik ekipmanlar ile akümülatörler ve bataryalar hakkındaki Avrupa Direktifi ve söz konusu direktifin ulusal yasalara uyarlanması gereğince atık elektrikli ekipmanlar, bataryalar ve akümülatörler ayrı olarak depolanmalı ve çevre koruma hakkındaki mevzuata uygun olarak faaliyet gösteren ayrı bir kentsel atık toplama noktasına teslim edilmelidir.
Bu husus, ekipmanın üzerine yerleştirilmiş üzerinde çarpi işareti bulunan tekerlekli çöp kovası simgesi ile belirtilmiştir.

Kullanım amacı

Bu alet aışap, plastik ve metal malzemelerin geniş yüzeyleriyle boyalı yüzeylerin zımparalanması amacıyla kullanılır.

Gürültü

Tipik A-ağırlıklı gürültü düzeyi (EN62841-2-4 standardına göre belirlenen):

Model	Ses basıncı seviyesi (L_{pA}): (dB (A))	Belirsizlik (K): (dB (A))
BO005CG	73	3
BO006CG	76	3

İşlem sırasında gürültü seviyesi 80 dB (A)'yi geçebilir.

NOT: Beyan edilen gürültü emisyonu değer(ler)i bir standart test yöntemine uygun şekilde ölçülmüştür ve bir aleti bir başkasıyla karşılaştırmak için kullanılabilir.

NOT: Beyan edilen gürültü emisyonu değer(ler)i bir ön maruz kalma değerlendirmesi olarak da kullanılabilir.

UYARI: Kulak koruyucuları takın.

UYARI: Elektrikli aletin gerçek kullanımı sırasındaki gürültü emisyonu, aletin kullanım biçimlerine, özellikle işlenen iş parçasının türüne bağlı olarak beyan edilen değer(ler)den farklı olabilir.

UYARI: Gerçek kullanım koşullarındaki tahmini maruziyeti baz alan, operatörü koruyacak güvenlik önlemlerini mutlaka belirleyin (çalışma döngüsü içerisinde aletin kapalı olduğu ve aktif durumda olmasının yanı sıra boşta çalıştığı zamanlar gibi, bütün zaman dilimleri göz önünde bulundurarak).

Titreşim

Titreşim toplam değeri (üç eksenli vektör toplamı) (EN62841-2-4 standardına göre hesaplanan): Çalışma modu: metal levha zımparalama

Model	Titreşim emisyonu ($a_{h, AG}$): (m/s^2)	Belirsizlik (K): (m/s^2)
BO005CG	2,6	1,5
BO006CG	2,6	1,5

NOT: Beyan edilen titreşim toplam değer(ler)i bir standart test yöntemine uygun şekilde ölçülmüştür ve bir aleti bir başkasıyla karşılaştırmak için kullanılabilir.

NOT: Beyan edilen titreşim toplam değer(ler)i bir ön maruz kalma değerlendirmesi olarak da kullanılabilir.

UYARI: Elektrikli aletin gerçek kullanımı sırasındaki titreşim emisyonu, aletin kullanım biçimlerine, özellikle işlenen iş parçasının türüne bağlı olarak beyan edilen değer(ler)den farklı olabilir.

UYARI: Gerçek kullanım koşullarındaki tahmini maruziyeti baz alan, operatörü koruyacak güvenlik önlemlerini mutlaka belirleyin (çalışma döngüsü içerisinde aletin kapalı olduğu ve aktif durumda olmasının yanı sıra boşta çalıştığı zamanlar gibi, bütün zaman dilimleri göz önünde bulundurarak).

Uygunluk Beyanları

Sadece Avrupa ülkeleri için

Uygunluk beyanları bu kullanma kılavuzuna Ek A olarak eklenmiştir.

GÜVENLİK UYARILARI

Genel elektrikli alet güvenliği uyarıları

UYARI Bu elektrikli aletle birlikte verilen tüm güvenlik uyarılarını, talimatları, resimli açıklamaları ve teknik özellikleri okuyun. Aşağıda listelenen talimatların herhangi birine uyulmaması elektrik çarpması, yangın ve/veya ciddi yaralanma ile sonuçlanabilir.

Tüm uyarıları ve talimatları iletide başvurmak için saklayın.

Uyarılardaki "elektrikli alet" terimi ile ya prizden çalışan (kordonlu) elektrikli aletiniz ya da kendi aküsü ile çalışan (kordonsuz) elektrikli aletiniz kastedilmektedir.

Zımpara makinası güvenlik uyarıları

1. Daima koruyucu gözlükler kullanın. Normal gözlükler veya güneş gözlükleri koruyucu gözlük DEĞİLDİR.
2. Aleti sıkı tutun.
3. Aleti çalışır durumda bırakmayın. Aleti sadece elinizde tutarken çalıştırın.
4. Bu alet su geçirmez değildir, bu nedenle iş parçasının yüzeyinde su kullanmayın.
5. Zımparalama işlemi yaparken çalışma yerinizi iyi havalandırın.
6. Bazı malzemeler zehirli olabilen kimyasallar içerirler. Toz yutmayı ve cilt temasını önlemek için tedbir alın. Malzeme sağlayıcısının güvenlik bilgilerine uyun.
7. Bu aletin bazı ürünleri, boyaları ve ahşabı zımparalamak için kullanımı kullanıcıyı tehlikeli maddeler içeren toza maruz bırakabilir. Uygun solunum koruması kullanın.
8. Kullanmadan önce yastıkta çatlak veya kırık olduğundan emin olun. Çatlaklar veya kırıklar yaralanmaya neden olabilirler.
9. Duruşunuza dikkat edin ve aleti dengeli tutun. Yüksek yerlerde çalışırken aşağıda kimse olmadığında emin olun. Yüksekten alet/makine parçalarının düşürülmesi ciddi yaralanmalara neden olabilir.
10. Üreticinin önermediği aksesuarları kullanmayın. Üreticinin önermediği aksesuarların güvenliği, takılabilirler bile garanti edilmez.
11. Kullanım sırasında ellerinizi ve gövdenizi aletin alt kısmından uzak tutun.

BU TALİMATLARI MUHAFAZA EDİNİZ.

⚠UYARI: Ürünü kullanırken (defalarca kullanınca kazanılan) rahatlık ve tanıdıklık duygusunun ilgili ürünün güvenlik kurallarına sıkı sıkıya bağlı kalmanın yerine geçmesine İZİN VERMEYİN. **YANLIŞ KULLANIM** veya bu kullanma kılavuzunda belirtilen emniyet kurallarına uymama ciddi yaralanmaya neden olabilir.

Batarya adaptörü güvenlik uyarıları

1. **Kablo ısındığında ürünü kullanmayı kesin ve alet/makineyi kapatın.** Yeniden çalıştırmadan önce soğumalarını bekleyin.
2. **Alet/makineyi taşırken veya alet/makineyi gözetimsiz bırakırken adaptörü alet/makineden çıkarın veya batarya yuvasını gövdenizden vb. çıkarın.**
 - Kablo yakındaki insanlar veya engellerle takılarak yaralanmaya neden olabilir.
 - Gövdeneze bağlı alet/makineyi istemsiz olarak çekebilirsiniz ve bu da düşmeye veya alet/makinenin düşmesine neden olarak yaralanmaya yol açabilir.
3. **Ürünü yüksek yerlerde kullanırken daima emniyet kemeri kullanın.** Alet/makinenin kazara düşürülmesinin dengeyi etkileyebileceğine ve yüksekte düşme riski olabileceğine dikkat edin.
4. **Bu ürünü, kablo bükülmüş durumda saklamayın veya çalıştırmayın.** Hasarlı veya dolaşmış bir kablo, kablolardaki kısa devre nedeniyle elektrik çarpması veya yangın riskini artırabilir.
5. **Kullanmadan önce kabloyu ve ürünün parçalarını her türlü anormallığe karşı kontrol edin.** Anormallik tespit edilirse ürünü kullanmayı derhal kesin ve Makita Yetkili veya Fabrika Servis Merkezlerinden onarmalarını talep edin.

Batarya kartuşu hakkında önemli güvenlik talimatları

1. **Batarya kartuşunu kullanmadan önce, tüm talimatları ve (1) batarya kartuşu, (2) batarya ve (3) ürün üzerindeki tüm uyarı işaretlerini okuyun.**
2. **Batarya kartuşunu parçalarına ayırmayın veya kuralamayın.** Yangın, aşırı ısı veya patlamaya neden olabilir.
3. **Çalışma süresi aşırı derecede kısalmışsa kullanmayı derhal bırakın.** Aşırı ısınma, yanma riski hatta patlamaya neden olabilir.
4. **Gözünüze elektrolit kaçarsa, gözlerinizi temiz suyla durulayın ve hemen tıbbi yardım alın.** Görme kaybına yol açabilir.
5. **Batarya kartuşuna kısa devre yaptırmayın:**
 - (1) **Terminallere herhangi bir iletken madde deędirmeyin.**
 - (2) **Batarya kartuşunu çiviler, madeni paralar, vb. gibi başka metal nesnelere aynı kaba koymaktan kaçınınız.**
 - (3) **Batarya kartuşunu yağmura ya da suya maruz bırakmayın.****Kısa devre, büyük bir akım akışına, aşırı ısınmaya, olası yanıklara hatta bataryanın bozulmasına yol açabilir.**
6. **Aleti ve batarya kartuşunu sıcaklığın 50 °C ya**

da daha yükseğe ulaştığı yerlerde saklamayın ve kullanmayın.

7. **Aşırı derecede hasar görmüş ya da tamamen kullanılamaz durumda olsa bile batarya kartuşunu yakmayın.** Batarya kartuşu ateşe atılırsa patlayabilir.
8. **Batarya kartuşunu çivilemeyin, kesmeyin, ezmeyin, fırlatmayın, düşürmeyin ya da batarya kartuşuna sert bir nesne ile vurmayın.** Bu eylemler yangın, aşırı ısı veya patlamaya neden olabilir.
9. **Hasarlı bataryayı kullanmayın.**
10. **Aletin içerdığı lityum-iyon bataryalar Tehlikeli Eşyalar Yönetmeliğinin gereksinimlerine tabidir.**

Ticari nakliye işlemleri için, örneğin üçüncü taraf, nakliye acenteleri tarafından yapılan nakliyelerde, paketlenme ve etiketleme gereksinimlerine uyulmalıdır.

Nakliyesi yapılacak ürünün hazırlanması için, tehlikeli maddeler konusunda uzman bir kişiye danışın. Lütfen muhtemelen daha ayrıntılı olan ulusal yönetmeliklere de uyun.

Açık kontakları bantlayın ya da maskeleyin ve bataryayı paketin içinde hareket etmeyecek şekilde paketleyin.
11. **Batarya kartuşunu bertaraf ederken aletten çıkarın ve güvenli bir yerde bertaraf edin.** Bataryanın bertaraf edilmesi ile ilgili yerel düzenlemelere uyunuz.
12. **Bataryaları sadece Makita tarafından belirtilen ürünlerle kullanın.** Bataryaların uyumsuz ürünlere takılması; yangın, aşırı ısınma, patlama ya da elektrolit sızıntısına neden olabilir.
13. **Alet uzun süre kullanılmıyacaksa batarya aletten çıkarılmalıdır.**
14. **Kullanma sırasında ve sonrasında batarya kartuşu ısınarak yanıklara veya düşük sıcaklık yanıklarına yol açabilir.** Sıcak batarya kartuşları ile işlem yaparken dikkat edin.
15. **Yanıklara neden olabilecek kadar sıcak olabileceğinden kullandıktan hemen sonra aletin terminaline dokunmayın.**
16. **Batarya kartuşunun terminallerine, deliklerine ve kanallarına micir, toz veya toprak girmesine izin vermeyin.** Aletin veya batarya kartuşunun ısınmasına, alev almasına, patlamasına ve arızalanmasına neden olarak yanıklara veya yaralanmaya yol açabilir.
17. **Alet yüksek gerilim elektrik güç hatlarında kullanımı desteklemediği sürece batarya kartuşunu yüksek gerilim elektrik güç hatlarının yakınında kullanmayın.** Aletin veya batarya kartuşunun arızalanmasına veya bozulmasına neden olabilir.
18. **Bataryayı çocuklardan uzak tutun.**

BU TALİMATLARI MUHAFAZA EDİNİZ.

⚠DİKKAT: Sadece orijinal Makita bataryalarını kullanın. Orijinal olmayan Makita bataryaları ya da üzerine değişiklik yapılmış bataryaların kullanımı bataryanın patlamasına ve sonuç olarak yangın, kişisel yaralanma ve hasara neden olabilir. Ayrıca Makita aleti ve şarj aletinin Makita tarafından sunulan garantisini de geçersiz olur.

Maksimum batarya ömrü için ipuçları

1. Batarya kartuşunu tamamen boşalmadan önce şarj edin. Aletin gücünün zayıflamaya başladığını fark ettiğinizde aleti durdurun ve batarya kartuşunu şarj edin.
2. Tam dolu bir batarya kartuşunu asla yeniden şarj etmeyin. Aşırı şarj etme bataryanın hizmet ömrünü kısaltır.
3. Batarya kartuşunu 10 °C - 40 °C oda sıcaklığında şarj edin. Sıcak bir batarya kartuşunu şarj etmeden önce soğumasını bekleyin.
4. Batarya kartuşunu kullanıyorken aletten veya şarj aletinden kaçınin.
5. Uzun bir süre (altı aydan daha fazla) kullanmadığınız durumlarda batarya kartuşunu şarj edin.

Kablosuz ünitesi için önemli güvenlik talimatları

1. Kablosuz ünitesini parçalarına ayırmayın veya kurcalamayın.
2. Kablosuz ünitesini küçük çocuklardan uzak tutun. Kazara yutulursa derhal tıbbi yardım alın.
3. Kablosuz ünitesini sadece Makita aletlerle kullanın.
4. Kablosuz ünitesini yağmura veya ıslak koşullara maruz bırakmayın.
5. Kablosuz ünitesini sıcaklığın 50 °C'yi aştığı yerlerde kullanmayın.
6. Kablosuz ünitesini, kalp pilleri gibi tıbbi cihazların yakınında bulunan yerlerde kullanmayın.
7. Kablosuz ünitesini, otomatik cihazların yakınında bulunan yerlerde kullanmayın. Kullanılırsa otomatik cihazlar arızalanabilir veya hata verebilir.
8. Kablosuz ünitesini, yüksek sıcaklık altındaki yerlerde veya statik elektrik veya elektrik gürlütüsü üretilebilecek yerlerde kullanmayın.
9. Kablosuz ünitesi elektromanyetik alanlar üretilebilir ancak onlar kullanıcıya zararlı değildir.
10. Kablosuz ünitesi hassas bir cihazdır. Kablosuz ünitesini düşürmemeye veya çarpmamaya dikkat edin.
11. Kablosuz ünitesinin terminaline çıplak ellerle veya metalik malzemelerle dokunmaktan kaçınin.
12. Kablosuz ünitesini ürüne takarken ürünün üzerindeki bataryayı mutlaka çıkarın.
13. Yuva kapağını açarken yuvaya toz ve suyun girebileceği yerlerden kaçınin. Yuva girişini daima temiz tutun.

14. Kablosuz ünitesi her zaman doğru yönde takın.
15. Kablosuz ünitesinin üzerindeki kablosuz çalıştırma düğmesine çok sert basmayın ve/veya düğmeye keskin uçlu bir cisim ile basmayın.
16. Kullanırken yuva kapağını mutlaka kapatın.
17. Alete güç beslenirken kablosuz ünitesini yuvadan çıkarmayın. Aksi takdirde kablosuz ünitesi arızalanabilir.
18. Kablosuz ünitesinin üzerindeki etiketi çıkarmayın.
19. Kablosuz ünitesinin üzerine hiçbir etiket koymayın.
20. Kablosuz ünitesini, statik elektrik veya elektrik gürlütüsü üretilebilecek yerlerde bırakmayın.
21. Kablosuz ünitesini, güneşin altında duran bir araba gibi yüksek ısıya maruz yerlerde bırakmayın.
22. Kablosuz ünitesini, tozlu veya aşındırıcı gaz üretilebilecek yerlerde bırakmayın.
23. Ani sıcaklık değişimleri kablosuz ünitesini nemlendirebilir. Nem tamamen kuruyana dek kablosuz ünitesini kullanmayın.
24. Kablosuz ünitesini temizlerken kuru yumuşak bir bezle nazikçe silin. Benzin, tiner, iletken gres veya benzeri maddeler kullanmayın.
25. Kablosuz ünitesini saklarken ürünle verilen kutusunda veya anti-statik bir kaptaki saklayın.
26. Alet üzerindeki yuvaya Makita kablosuz ünitesi dışında başka hiçbir aygıt sokmayın.
27. Aleti, yuvanın kapağı hasarlı iken kullanmayın. Yuvaya giren su, toz ve pislik arızaya neden olabilir.
28. Yuvanın kapağını gerekenden fazla çekmeyin ve/veya bükmeyin. Aletten çıkması durumunda kapağı yeniden takın.
29. Kaybolur veya hasar görürse kapağı değiştirin.

BU TALİMATLARI MUHAFAZA EDİNİZ.

İŞLEVSEL NİTELİKLER

⚠DİKKAT: Alet üzerinde ayarlama veya işleyiş kontrolü yapmadan önce aletin kapalı ve batarya kartuşunun ayrılmış olduğundan daima emin olun.

Batarya kartuşunun takılması ve çıkarılması

⚠DİKKAT: Batarya kartuşunu takmadan ya da çıkarmadan önce aleti daima kapatın.

⚠DİKKAT: Batarya kartuşunu takarken veya çıkarırken aleti ve batarya kartuşunu sıkıca tutun. Aletin ve batarya kartuşunun sıkıca tutulmaması bunların düşürülmesine sebep olabilir ve alet ve batarya kartuşunun zarar görmesine ya da ciddi yaralanmasına yol açabilir.

Batarya kartuşunu takmak için, batarya kartuşu

üzerindeki dili yuvanın oluşu ile hizalayın ve kartuşu yerine oturtun. Kartuşu, küçük bir tık sesi ile yerine sabitlenene dek sonuna kadar ittirin. Şekilde gösterildiği gibi kırmızı göstergeli görebiliyorsanız tam olarak kilitlememiş demektir.

Batarya kartuşunu çıkarmak için, kartuşun ön tarafındaki düğmeyi kaydırarak kartuşu aletten çıkarın.

► **Şek.1:** 1. Kırmızı göstergeli 2. Düğme 3. Batarya kartuşu

⚠DİKKAT: Batarya kartuşunu daima kırmızı göstergeli görünmeyecek şekilde tam olarak takın. Yerine tam oturmazsa, aletten yanlışlıkla düşebilir, sizin ya da çevrenizdeki kişilerin yaralanmasına neden olabilir.

⚠DİKKAT: Batarya kartuşunu zorlayarak takmayın. Kartuş kolay bir şekilde kaymıyorsa doğru yerleştirilmemiş demektir.

Kalan batarya kapasitesinin gösterilmesi

Kalan batarya kapasitesini göstermesi için batarya kartuşu üzerindeki kontrol düğmesine basın. Göstergeli lambaları birkaç saniye yanar.

► **Şek.2:** 1. Göstergeli lambaları 2. Kontrol düğmesi

Göstergeli lambaları			Kalan kapasite
Yanıyor	Kapalı	Yanıp sönmüyor	
■	□	▣	
■ ■ ■ ■			%75 ila %100
■ ■ ■ □			%50 ila %75
■ ■ □ □			%25 ila %50
■ □ □ □			%0 ila %25
▣ □ □ □			Bataryayı şarj edin.
■ ■ □ □			Batarya arızalanmış olabilir.
□ □ ■ ■			

NOT: Kullanım koşullarına ve ortam sıcaklığına bağlı olarak, gösterilen değer gerçek kapasiteden biraz farklılık gösterebilir.

NOT: İlk (en soldaki) göstergeli lambası, batarya koruma sistemi çalıştığı anda yanıp söner.

Anahtar işlemi

⚠DİKKAT: Alet iş parçasının üzerine veya tezgahınıza yerleştirilmiş durumdayken aleti açmaktan kaçının. Yaralanmaya veya hasara neden olabilir.

Aletin açılması ve kapatılması

Aleti çalıştırmak için güç düğmesine basın.

Aleti durdurmak için güç düğmesine tekrar basın.

► **Şek.3:** 1. Güç düğmesi

Hız ayar kadranı

ÖNEMLİ NOT: Eğer alet uzun süre devamlı düşük hızlarda çalıştırılırsa, motor aşırı yüklenir ve bozulmaya neden olur.

ÖNEMLİ NOT: Hız ayar kadranı ancak 1 ila 5 arasındaki numaralara ayarlanabilir. 5 veya 1 numaranın ötesine ayar yapmaya çalışmayın, aksi halde hız ayar işlevi bozulabilir.

Devir hızı, hız ayar kadranı çevrilerek değiştirilebilir. Kadran 5 rakamı yönünde döndürüldüğünde hız artar. Ve kadran 1 rakamı yönünde döndürüldüğünde hız düşer.

Kadran üzerindeki numara ayarlarıyla yaklaşık dönme hızı arasındaki ilişki için tabloya bakın.

Numara	Dakikadaki devir sayısı
1	6.000
2	6.500
3	8.000
4	9.500
5	10.000

► **Şek.4:** 1. Hız ayar kadranı

Elektronik fonksiyon

Alet, kolay kullanım için aşağıdaki elektronik işlev(ler)le donatılmıştır.

Yumuşak kalkış özelliği

Yumuşak kalkış özelliği başlama darbesini azaltır.

Sabit hız kontrolü

Sabit hız elde etmek için elektronik hız kontrolü. Bu özellik, aletin hızı yük altında bile sabit kaldığından hassas finisaj sağlar.

Elektrikli fren

Elektrikli fren, güvenlik ve pratik çalışma için aleti çabucak durdurur.

İstemsiz zoomlardan biri söz konusu olduğunda aletin işlevi

Güç düğmesine basılırken herhangi bir güç kaynağı (örneğin batarya kartuşu vb.) alete bağlanırsa alet çalışmaya başlamaz.

Aleti çalıştırmak için güç düğmesine tekrar basın.

Alet/batarya koruma sistemi

Bu alet bir alet/batarya koruma sistemi ile donatılmıştır. Bu sistem motora giden gücü otomatik olarak keserek uzun alet ve batarya ömrü sağlar. Alet veya batarya için aşağıdaki durumlardan biri söz konusu olduğunda aletin işlevi otomatik olarak durur:

Aşırı yük koruması

Alet veya batarya, anormal yüksek akım çekmesine neden olacak şekilde çalıştırılırsa alet hiçbir belirti vermeden otomatik olarak durur. Bu durumda aleti kapatın ve aletin aşırı yüklenmesine neden olan uygulamayı durdurun. Daha sonra aleti yeniden başlatın.

Aşırı ısınma koruması

Alet veya batarya aşırı ısındığında alet otomatik olarak durur. Bu durumda aleti yeniden açmadan önce aletin ve bataryanın soğumasını bekleyin.

Aşırı deşarj koruması

Batarya kapasitesi yeterli olmadığında, alet otomatik olarak durur. Bu durumda, bataryayı aletten çıkarın ve bataryayı tekrar şarj edin.

Diğer nedenlere karşı korumalar

Koruma sistemi, alete zarar verebilecek diğer nedenler için de tasarlanmıştır ve aletin otomatik olarak durmasını sağlar. Alet çalışırken geçici duraklama ve durma yaparsa nedenleri ortadan kaldırmak için aşağıdaki tüm adımları uygulayın.

1. Tüm anahtarların kapalı konumda olduklarından emin olarak yeniden çalıştırmak için aleti açın.
2. Bataryaları şarj edin veya şarjlı bataryalarla değiştirin.
3. Aletin ve bataryaların soğumasını bekleyin.

Koruma sistemi eski haline getirilerek ilerleme kaydedilemezse yerel Makita Servis Merkezimize başvurun.

MONTAJ

⚠DİKKAT: Alet üzerinde herhangi bir iş yapmadan önce aletin kapalı ve batarya kartuşunun ayrılmış olduğundan daima emin olun.

Yastık koruyucunun takılması veya çıkarılması

Yastık koruyucu yastık üzerindeki cırt cırtın aşınması önlér.

1. Yastık koruyucuyu takmak için yastık üzerindeki tüm kiri ve yabancı maddeleri temizleyin.
 2. Yastık koruyucuyu yastığa, yastık koruyucudaki toz emme deliklerini yastıktakilerle hizalayarak takın.
- **Şek.5:** 1. Yastık koruyucu 2. Yastık 3. Toz emme delikleri

Yastık koruyucu üzerindeki cırt cırt aşındığında yastık koruyucuyu çıkarın ve yeni bir tane takın.

Yastık koruyucuyu çıkarmak için yastık koruyucuyu kenarından sıyırın.

Zımpara kağıdının takılması veya çıkarılması

⚠DİKKAT: Kullanmadan önce zımpara kağıdını sıkıca takıldığından emin olun. Aksi takdirde zımpara kağıdı kolayca çıkarak kaymaya neden olabilir ve düzensiz zımparalama işlemine yol açabilir.

⚠DİKKAT: Yastığın doğru ve sıkı bir şekilde takıldığından emin olun. Gevşek bir ek parça dengeğini kaybeder ve kontrol kaybına neden olabilecek aşırı titreşime yol açar.

⚠DİKKAT: Yastık, yastık koruyucu ve zımpara kağıdının hizalandığından ve sıkıca takıldığından emin olun.

⚠DİKKAT: Sadece zımpara kağıtları kullanın. Hiç bir zaman basınca hassas zımpara kağıtları kullanmayın.

NOT: Zımpara kağıdı doğrudan yastığa da takılabilir.

1. Yastık koruyucu üzerindeki tüm kiri ve yabancı maddeleri temizleyin.
 2. Yastık koruyucuya bir zımpara kağıdı takın.
 - Toz emme delikleri bulunan kağıt tipi zımpara kağıdı için kağıdını üzerindeki toz emme deliklerini yastık koruyucudakilerle hizalayın.
 - File tipi zımpara kağıdı için dış şekli yastık koruyucu ile hizalayın.
- **Şek.6:** 1. Zımpara kağıdı 2. Yastık koruyucu 3. Toz emme delikleri

Zımpara kağıdını çıkarmak için birlikte sıyırılmalarını önlemek için yastık koruyucuyu tutarken zımpara kağıdını kenardan sıyırarak çıkarın.

Koruyucu

Koruyucu; bir duvara yakın çalışırken yastığın, alet yuvasının ve duvarın hasar görmesini engeller.

► **Şek.7:** 1. Koruyucu

Koruyucuyu takmak için, koruyucunun dilini oyukla hizalayın ve koruyucuyu içeri doğru itin. Koruyucuyu çıkarmak için mandalları açarken koruyucu yeri doğru çekin.

► **Şek.8:** 1. Koruyucu 2. Oyuk 3. Mandal

Toz torbasının takılması ve çıkarılması

Toz torbası takımını, motor gövdesinin arka ucundaki toz ağzına takın. Toz girişini, yerine kilitlemeye kadar toz ağzına sonuna kadar sokun.

Toz torbası takımını çıkarmak için toz başlığını tutarak çekin.

► **Şek.9:** 1. Toz ağzı 2. Toz girişi 3. Toz başlığı 4. Toz torbası

ÖNEMLİ NOT: Aleti taşırken toz torbasından tutmayın. Aksi takdirde alet düşebilir ve hasar görebilir.

Tozun atılması

Optimum toz toplama sağlamak için kapasitesinin yaklaşık yarısına kadar dolduğunda toz torbasını boşaltın.

1. Toz torbasını toz başlığından, her iki düğmeye basarak çıkarın.
 2. Boşaltmak için toz torbasının alt kısmına hafifçe vurun.
- **Şek.10:** 1. Toz torbası 2. Toz başlığı 3. Düğme

Elektrikli süpürgeğin bağlanması

Temiz zımparalama işlemi gerçekleştirmek isterseniz, aletinize bir Makita elektrikli süpürge bağlayın.

ÖNEMLİ NOT: Aleti sırt tipi elektrikli süpürge ile kullanırken her zaman ön manşeti (aletle birlikte verilir) kullanın. Böyle yapmak statik elektrliği azaltır.

1. Takılı ise diğer manşeti hortumdan çıkarın.
 2. Aletle birlikte verilen ön manşeti hortuma vidalayın. Ön manşetin hortuma sıkıca vidalandığından emin olun.
- **Şek.11:** 1. Ön manşet (aletle birlikte verilir) 2. Hortum 3. Elektrikli süpürge 4. Diğer manşet

3. Ön manşeti aletin toz ağzına takın.

Ön manşeti toz ağzına sonuna kadar geçirin ve ardından ön manşeti şekilde gösterildiği gibi ok yönünde sıkıca çevirin.

- **Şek.12:** 1. Toz ağzı 2. Ön manşet (aletle birlikte verilir)

Sırt tipi olmayan elektrikli süpürge için

Hortuma ayrıca ön manşet 22 ve ön manşet 24 de bağlayabilirsiniz. Ön manşet 22 ve ön manşet 24, isteğe bağlı aksesuarlardır veya elektrikli süpürge ile birlikte verilir.

- **Şek.13:** 1. Ön manşet 22 (isteğe bağlı aksesuar veya elektrikli süpürge ile birlikte verilir) 2. Ön manşet 24 (isteğe bağlı aksesuar veya elektrikli süpürge ile birlikte verilir)

Batarya adaptörünün takılması veya çıkarılması

ÖNEMLİ NOT: Alet ile batarya adaptörünün arasındaki bağlantıda toz birikmesi olmadıgından emin olun. Toz birikmesi arızaya neden olabilir.

1. Batarya adaptörünü takmak için batarya adaptörünün üzerindeki ok işaretini aletinki ile hizalayın.
 2. Batarya adaptörünü, küçük bir tık sesi ile yerine kliklenene dek sonuna kadar sokun.
- **Şek.14:** 1. Alet 2. Batarya adaptörü 3. Ok işareti

Batarya adaptörünü çıkarmak için her iki düğmeye bastırırken batarya adaptörünü kaydırarak çıkarın.

- **Şek.15:** 1. Düğme

Batarya adaptörünün yerleştirilmesi

⚠DİKKAT: Bağlantı kablosu hasarlıysa aleti kullanmayın.

ÖNEMLİ NOT: Bağlantı kablosunu amacı dışında kullanmayın. Aleti bağlantı kablosundan tutarak taşımayın. Bağlantı kablosunu ısıdan, yağdan ve keskin kenarlardan uzak tutun. Aksi takdirde bağlantı kablosu hasar görebilir.

Batarya adaptörünü bel kemerine asın. Kablo tutucu, kablounun taşınmasına yardımcı olur. Gerekirse kablo tutucuyu vida ile batarya adaptörünün sağına veya soluna takın.

► **Şek.16:** 1. Kablo tutucu

Kol bandı

Kol bandı kabloyu taşıma için kullanışlıdır.

1. Kol bandını kolunuza takın ve ardından kol bandının uzunluğunu ayarlayın.
 2. Bağlantı kablosunu, tutucunun açıklığından içeri geçirin.
- **Şek.17:** 1. Kol bandı 2. Açıklıklı tutucu

⚠DİKKAT: Tutucunun açıklığını zorlamayın. Aksi takdirde eğilmesine ve hasar görmesine neden olabilir.

Hortum kelepçesi

5 m kablolu Batarya adaptörü (isteğe bağlı aksesuar) ile birlikte verilir

Alete bağlı elektrikli süpürgeyi kullanırken, takılmayı önlemek için kabloyu ve hortumu tutmak için hortum kelepçesi kullanılabilir.

Kabloyu ve hortumu, şekilde gösterildiği gibi yaklaşık 1 m aralıklarla hortum kelepçesiyle tutun.

- **Şek.18:** 1. Hortum kelepçesi 2. Kablo 3. Hortum 4. Yaklaşık 1 m

KULLANIM

Zımparalama işlemi

⚠DİKKAT: İş parçasının sıkıca sabitlendiğinden daima emin olun.

⚠DİKKAT: Çok fazla tozla çalışırken toz maskesi takın.

⚠DİKKAT: Dönen zımpara kağıdına dokunmayın. Aksi takdirde yaralanmaya neden olabilir.

ÖNEMLİ NOT: Aleti zımpara kağıdı olmadan asla çalıştırmayın. Yastık koruyucu veya yastığa ciddi şekilde zarar verebilirsiniz.

ÖNEMLİ NOT: Aleti hiç bir zaman zorlamayın. Aşırı basınç zımparalama verimliliğini azaltabilir, zımpara kağıdına zarar verebilir ve/veya aletin kullanım ömrünü kısaltabilir.

ÖNEMLİ NOT: Aleti polisaj için kullanmayın. Alete sünger gibi polisaj aksesuarı takmayın. Aksi takdirde arıza olabilir.

Aleti sıkıca tutun. Aleti çalıştırın ve ayarlanan hızı

ulaşmasını bekleyin. Sonra aleti hafifçe iş parçasının yüzeyine yerleştirin. Yastığı iş parçasına dayalı tutun ve alete fazla bastırmayın.

► **Şek.19**

Kayış takımı ile çalışma

İsteğe bağlı aksesuar

Kayış takımı, batarya adaptörünü sırtınızda taşıyarak çalışmanıza izin verir.

Kayış takımına karabina takılabilir. Alet, kanca ile karabinaya takılabilir. Kancanın takılması için bkz. "Kancanın takılması".

► **Şek.20:** 1. Kayış takımı 2. Karabina

Koruyucu kılıfla kullanma

İsteğe bağlı aksesuar

ÖNEMLİ NOT: Koruyucu kılıfı seçmeden önce koruyucu kılıfın sırt tipi elektrikli süpürgeyle uyumlu olduğundan emin olun. Koruyucu kılıf sadece belirli modellerdeki sırt tipi elektrikli süpürlere takılabilir.

Örnek uyumlu model:

— VC008G / GCV05

— VC009G / GCV06

Yukarıda bazı örnekler verilmiştir. Ayrıntılar için servis merkezimize sırt tipi elektrikli süpürgezin koruyucu kılıfla uyumlu olup olmadığını sorun.

Koruyucu kılıf sırt tipi elektrikli süpürgeyi ve batarya adaptörünü korur ve sırt tipi elektrikli süpürge ile batarya adaptörünü birlikte sırtınızda taşıırken çalışmanızı sağlar.

1. Sırt tipi elektrikli süpürgezin kayış takımını sabitleyen vidaları çıkarın.

► **Şek.21:** 1. Sırt tipi elektrikli süpürge 2. Sırt tipi elektrikli süpürge kayış takımı 3. Vida

2. Sırt tipi elektrikli süpürgeyi koruyucu kılıfla (sırt tipi elektrikli süpürge için) sarın.

► **Şek.22:** 1. Koruyucu kılıf (sırt tipi elektrikli süpürge için)

3. Sırt tipi elektrikli süpürgezin kayış takımını vidaları sökerek sabitleyin.

► **Şek.23**

4. Batarya adaptörünün batarya parçalarını koruyucu kılıfın (batarya adaptörü için) içinde saklayın ve ardından şekilde gösterildiği gibi koruyucu kılıfı (batarya adaptörü için) kayış takımının üzerine geçirin.

► **Şek.24:** 1. Koruyucu kılıf (batarya adaptörü için)

5. Kayış takımına karabina takılabilir. Alet, kanca ile karabinaya takılabilir. Kancanın takılması için bkz. "Kancanın takılması".

► **Şek.25:** 1. Koruyucu kılıf (batarya adaptörü için) 2. Koruyucu kılıf (sırt tipi elektrikli süpürge için) 3. Karabina

Kancanın takılması

⚠UYARI: Asma/montaj parçalarını yalnızca kullanım amaçlarına uygun kullanın, örneğin işler arasında ve iş aralarında aleti bir alet kemerine asmak gibi.

⚠UYARI: Kancaya çok fazla kuvvetle aşırı yüklenmemeye dikkat edin. Aksi takdirde düzensiz aşırı yüklenme alette hasarlara neden olarak yaralanmaya yol açabilir.

⚠DİKKAT: Kancayı takarken kancayı daima vida ile iyice sabitleyin. Sabitlenmezse kanca aletten çıkabilir ve yaralanmaya neden olabilir.

⚠DİKKAT: Tutmayı bırakmadan önce aleti güvenli bir şekilde astığınızdan emin olun. Yetersiz veya dengesiz takmak düşmeye ve yaralanmanıza neden olabilir.

⚠DİKKAT: Dayanıklılığı yeterli bir karabina kullanın. Aksi takdirde karabina kırılarak yaralanmaya neden olabilir.

Alet, kanca ile karabinaya takılabilir.

► **Şek.26:** 1. Kanca 2. Karabina

Kanca, aletin her iki yanına da takılabilir. Kancayı takmak için alettaki deliğe sokun ve ardından kancayı bir vida ile sabitleyin. Çıkarmak için, vidayı gevşetin ve ardından çekip çıkarın.

► **Şek.27:** 1. Delik 2. Kanca 3. Vida

KABLOSUZ ÇALIŞTIRMA İŞLEVİ

Kablosuz çalıştırma işlevi ile yapabileceğiniz

Kablosuz çalıştırma işlevi temiz ve rahat kullanım sağlar. Alete desteklenen bir elektrikli süpürge bağlayarak elektrikli süpürgeyi aletin anahtarla çalıştırılması ile birlikte çalıştırabilirsiniz.

► **Şek.28**

Kablosuz çalıştırma işlevini kullanmak için aşağıdaki unsurları hazırlayın:

- Bir kablosuz ünitesi (isteğe bağlı aksesuar)
- Kablosuz çalıştırma işlevini destekleyen bir elektrikli süpürge

Kablosuz çalıştırma işlevi ayarına genel bakış aşağıda verilmiştir. Ayrıntılı işlemler için her bir kısma bakın.

1. Kablosuz ünitesinin takılması
2. Elektrikli süpürge için alet kaydı
3. Kablosuz çalıştırma işlevinin başlatılması

Kablosuz ünitesinin takılması

İsteğe bağlı aksesuar

⚠ DİKKAT: Kablosuz ünitesini takarken aleti düz ve dengeli bir zemine yerleştirin.

ÖNEMLİ NOT: Kablosuz ünitesini takmadan önce aletin üzerindeki toz ve kiri temizleyin. Toz veya kir, kablosuz ünitesinin yuvasına girerse arızaya neden olabilir.

ÖNEMLİ NOT: Statik elektrik kaynaklı arızaları engellemek için kablosuz ünitesini almadan önce aletin metal kısmı gibi statik deşarj özellikli bir materyale dokununuz.

ÖNEMLİ NOT: Kablosuz ünitesini takarken kablosuz ünitesinin doğru yönde sokulduğundan ve kapağın tamamen kapatıldığından mutlaka emin olun.

1. Aletin üzerindeki kapağı şekilde gösterildiği gibi açın.

► **Şek.29:** 1. Kapak

2. Kablosuz ünitesini yuvaya sokun ve daha sonra kapağı kapatın.

Kablosuz ünitesini sokarken çıkıntıları yuva üzerindeki girintili kısımlarla hizalayın.

► **Şek.30:** 1. Kablosuz ünitesi 2. Çıkıntı 3. Kapak 4. Girintili kısım

Kablosuz ünitesini çıkarırken kapağı yavaşça açın. Kapağın arka kısmındaki kancalar, kapağı yukarı çektiğiniz kablosuz ünitesini kaldıracaktır.

► **Şek.31:** 1. Kablosuz ünitesi 2. Kanca 3. Kapak

Kablosuz ünitesini çıkardıktan sonra ürünle verilen kutusunda veya anti-statik bir kaptaki saklayın.

ÖNEMLİ NOT: Kablosuz ünitesini çıkarırken daima kapağın arka kısmındaki kancaları kullanın. Kancalar kablosuz ünitesini yakalamazsa kapağı tamamen kapatın ve yavaşça tekrar açın.

Elektrikli süpürge için alet kaydı

NOT: Alet kaydı için kablosuz çalıştırma işlevini destekleyen bir Makita elektrikli süpürge gerekir.

NOT: Alet kaydına başlamadan önce kablosuz ünitesini alete takmayı bitirin.

NOT: Alet kaydı sırasında anahtar tetiği çekmeyin veya elektrikli süpürge üzerindeki güç düğmesini açmayın.

NOT: Elektrikli süpürge kullanma kılavuzuna da bakın.

Elektrikli süpürgeyi aletin anahtarla çalıştırılması ile birlikte çalıştırmak isterseniz önceden alet kaydını tamamlayın.

1. Elektrikli süpürge ve alete bataryaları takın.

2. Elektrikli süpürge üzerindeki bekleme düğmesini "AUTO" konumuna alın.

► **Şek.32:** 1. Bekleme düğmesi

3. Kablosuz çalıştırma lambası yeşil yanıp sönene kadar elektrikli süpürge üzerindeki kablosuz çalıştırma

düğmesine 3 saniye süreyle basın. Daha sonra aletin üzerindeki kablosuz çalıştırma düğmesine aynı şekilde basın.

► **Şek.33:** 1. Kablosuz çalıştırma düğmesi 2. Kablosuz çalıştırma lambası

Elektrikli süpürge ve alet başarıyla birbirlerine bağlanırsa kablosuz çalıştırma lambaları 2 saniye süreyle yeşil yanar ve mavi yanıp sönmeye başlar.

NOT: Kablosuz çalıştırma lambaları 20 saniye geçtikten sonra yeşil yanıp sönmeyi keser. Süpürge üzerindeki kablosuz çalıştırma lambası yanıp sönen aletin üzerindeki kablosuz çalıştırma düğmesine basın. Kablosuz çalıştırma lambası yeşil yanıp sönmeye kablosuz çalıştırma düğmesine kısa süreli basın ve tekrar basılı tutun.

NOT: Tek bir elektrikli süpürge için iki veya daha fazla alet kaydı yaparken alet kaydını birer birer tamamlayın.

Kablosuz çalıştırma işlevinin başlatılması

NOT: Kablosuz çalıştırma öncesinde elektrikli süpürge için alet kaydını tamamlayın.

NOT: Elektrikli süpürge kullanma kılavuzuna da bakın.

Elektrikli süpürgeye bir aleti kaydettikten sonra elektrikli süpürge, aletin anahtarla çalıştırılması ile birlikte otomatik olarak çalışır.

1. Kablosuz ünitesini alete takın.

2. Elektrikli süpürgeyi hortumunu alete bağlayın.

► **Şek.34**

3. Elektrikli süpürge üzerindeki bekleme düğmesini "AUTO" konumuna alın.

► **Şek.35:** 1. Bekleme düğmesi

4. Aletin üzerindeki kablosuz çalıştırma düğmesine kısa süreyle basın. Kablosuz çalıştırma lambası mavi yanıp söner.

► **Şek.36:** 1. Kablosuz çalıştırma düğmesi 2. Kablosuz çalıştırma lambası

5. Aleti açın. Alet çalışırken elektrikli süpürgeyi çalıştırdığını kontrol edin.

Elektrikli süpürgeyi kablosuz çalıştırılmasını durdurmak için alet üzerindeki kablosuz çalıştırma düğmesine basın.

NOT: Alet üzerindeki kablosuz çalıştırma lambası, 2 saat süreyle işlem yapılmazsa mavi yanıp sönmeyi keser. Bu durumda elektrikli süpürge üzerindeki bekleme düğmesini "AUTO" konumuna alın ve alet üzerindeki kablosuz çalıştırma düğmesine tekrar basın.

NOT: Elektrikli süpürge bir gecikmeyle başlar/durur. Elektrikli süpürge, aletin anahtarla çalıştırıldığını algıladığında bir gecikme söz konusu olur.










NOT: Kablosuz ünitesinin iletim mesafesi konum ve çevre şartlarına bağlı olarak değişebilir.

NOT: Tek bir elektrikli süpürgeye iki veya daha fazla alet kaydedildiğinde başka bir kullanıcı kablosuz çalıştırma işlevini kullandığından aletinizi açmasanız bile elektrikli süpürge çalışmaya başlayabilir.

Kablosuz çalıştırma lambası durumunun açıklanması

► Şek.37: 1. Kablosuz çalıştırma lambası

Kablosuz çalıştırma lambası kablosuz çalıştırma işlevinin durumunu gösterir. Lamba durumunun anlamı için aşağıdaki tabloya bakın.

Durum	Kablosuz çalıştırma lambası				Açıklama
	Renk	 Kapalı	 Yanıp sönmüyor	Süre	
Beklemede	Mavi			2 saat	Elektrikli süpürge için kablosuz çalıştırılması kullanılabilir. 2 saat süreyle işlem yapılmazsa lamba otomatik olarak söner.
				Alet çalışırken.	Elektrikli süpürge için kablosuz çalıştırılması kullanılabilir ve alet çalışıyor.
Alet kaydı	Yeşil			20 saniye	Alet kaydı için hazır. Elektrikli süpürge tarafından alet kaydı bekleniyor.
				2 saniye	Alet kaydı tamamlandı. Kablosuz çalıştırma lambası mavi yanıp sönmeye başlar.
Alet kaydının iptal edilmesi	Kırmızı			20 saniye	Alet kaydının iptali için hazır. Elektrikli süpürge tarafından iptal bekleniyor.
				2 saniye	Alet kaydı iptali tamamlandı. Kablosuz çalıştırma lambası mavi yanıp sönmeye başlar.
Diğer	Kırmızı			3 saniye	Kablosuz ünitesine güç besleniyor ve kablosuz çalıştırma işlevi başlıyor.
			-	-	Elektrikli süpürge için kablosuz çalıştırılması durduruldu.

Elektrikli süpürge için alet kaydının iptal edilmesi

Elektrikli süpürge için alet kaydını iptal ederken aşağıdaki prosedürü uygulayın.

1. Elektrikli süpürge ve alete bataryaları takın.
2. Elektrikli süpürge üzerindeki bekleme düğmesini "AUTO" konumuna alın.
► Şek.38: 1. Bekleme düğmesi
3. Elektrikli süpürge üzerindeki kablosuz çalıştırma düğmesine 6 saniye süreyle basın. Kablosuz çalıştırma lambası yeşil yanıp söner ve daha sonra kırmızı olur. Ondan sonra aletin üzerindeki kablosuz çalıştırma

düğmesine aynı şekilde basın.

- Şek.39: 1. Kablosuz çalıştırma düğmesi
2. Kablosuz çalıştırma lambası

İptal başarıyla yapılırsa kablosuz çalıştırma lambaları 2 saniye süreyle kırmızı yanar ve mavi yanıp sönmeye başlar.

NOT: Kablosuz çalıştırma lambaları 20 saniye geçtikten sonra kırmızı yanıp sönmeyi keser. Süpürge üzerindeki kablosuz çalıştırma lambası yanıp sönerken aletin üzerindeki kablosuz çalıştırma düğmesine basın. Kablosuz çalıştırma lambası kırmızı yanıp sönmeye kablosuz çalıştırma düğmesine kısa süreli basın ve tekrar basılı tutun.

Kablosuz çalıştırma işlevi için sorun giderme

Onarım için servise gitmeden önce kontrolleri yapın. Kılavuzda açıklanmayan bir problemle karşılaşırsanız aleti demonte etmeyin. Bunun yerine, Makita Yetkili Servis Merkezlerine başvurun ve daima orijinal Makita yedek parçaları kullanın.

Anormal durum	Olası nedeni (arıza)	Çözümü
Kablosuz çalıştırma lambası yanmıyor/yanıp sönmüyor.	Kablosuz ünitesi alete takılmamış. Kablosuz ünitesi alete hatalı takılmış.	Kablosuz ünitesini doğru takın.
	Kablosuz ünitesinin terminali ve/veya yuva kirlidir.	Kablosuz ünitesinin terminalindeki tozu ve kiri hafifçe silin ve yuvayı temizleyin.
	Aletin üzerindeki kablosuz çalıştırma düğmesine basılmamış.	Aletin üzerindeki kablosuz çalıştırma düğmesine kısa süreyle basın.
	Elektrikli süpürge üzerindeki bekleme düğmesi "AUTO" konumuna alınmamış.	Elektrikli süpürge üzerindeki bekleme düğmesini "AUTO" konumuna alın.
	Güç beslemesi yok	Alete ve elektrikli süpürgeye güç besleyin.

Anormal durum	Olası nedeni (arıza)	Çözümü
Alet kaydı / alet kaydı iptali başarıyla tamamlanmıyor.	Kablosuz ünitesi alete takılmamış. Kablosuz ünitesi alete hatalı takılmış.	Kablosuz ünitesini doğru takın.
	Kablosuz ünitesinin terminali ve/veya yuva kirlî.	Kablosuz ünitesinin terminalindeki tozu ve kiri hafifçe silin ve yuvayı temizleyin.
	Elektrikli süpürge üzerindeki bekleme düğmesi "AUTO" konumuna alınmamış.	Elektrikli süpürge üzerindeki bekleme düğmesini "AUTO" konumuna alın.
	Güç beslemesi yok	Alete ve elektrikli süpürgeye güç besleyin.
	Hatalı çalışma	Kablosuz çalıştırma düğmesine kısa süreyle basın ve alet kaydı/iptal prosedürlerini yeniden uygulayın.
	Alet ve elektrikli süpürge birbirlerinden uzakta (iletim aralığının dışında).	Aleti ve elektrikli süpürgeyi birbirlerine yaklaştırın. Maksimum iletim mesafesi yaklaşık 10 m'dir, ancak şartlara bağlı olarak değişebilir.
	Alet kaydını/iptalini tamamlamadan önce; - aletin anahtarları açılıyor veya; - elektrikli süpürge üzerindeki güç düğmesi açılıyor.	Kablosuz çalıştırma düğmesine kısa süreyle basın ve alet kaydı/iptal prosedürlerini yeniden uygulayın.
	Alet veya elektrikli süpürge için alet kaydı prosedürleri tamamlanmamış.	Alet ve elektrikli süpürge için alet kaydı prosedürlerini aynı zamanda uygulayın.
Elektrikli süpürge, aletin anahtarla çalıştırılması ile birlikte çalışmıyor.	Yüksek güçte radyo dalgaları üreten diğer cihazlardan radyo paraziti.	Aleti ve elektrikli süpürgeyi, Wi-Fi cihazları ve mikro-dalga fırınlar gibi cihazlardan uzak tutun.
	Kablosuz ünitesi alete takılmamış. Kablosuz ünitesi alete hatalı takılmış.	Kablosuz ünitesini doğru takın.
	Kablosuz ünitesinin terminali ve/veya yuva kirlî.	Kablosuz ünitesinin terminalindeki tozu ve kiri hafifçe silin ve yuvayı temizleyin.
	Aletin üzerindeki kablosuz çalıştırma düğmesine basılmamış.	Kablosuz çalıştırma düğmesine kısa süreli basın ve kablosuz çalıştırma lambasının mavi yanıp söndüğünü kontrol edin.
	Elektrikli süpürge üzerindeki bekleme düğmesi "AUTO" konumuna alınmamış.	Elektrikli süpürge üzerindeki bekleme düğmesini "AUTO" konumuna alın.
	Elektrikli süpürgeye 10'dan fazla alet kayıtlı.	Alet kaydını yeniden yapın. Elektrikli süpürgeye 10'dan fazla alet kayıtlı ise ilk önce kaydedilen alet otomatik olarak iptal edilir.
	Elektrikli süpürge tüm alet kayıtlarını silmiş.	Alet kaydını yeniden yapın.
	Güç beslemesi yok	Alete ve elektrikli süpürgeye güç besleyin.
Alet çalışmıyorken elektrikli süpürge çalışıyor.	Alet ve elektrikli süpürge birbirlerinden uzakta (iletim aralığının dışında).	Aleti ve elektrikli süpürgeyi birbirlerine yaklaştırın. Maksimum iletim mesafesi yaklaşık 10 m'dir, ancak şartlara bağlı olarak değişebilir.
	Yüksek güçte radyo dalgaları üreten diğer cihazlardan radyo paraziti.	Aleti ve elektrikli süpürgeyi, Wi-Fi cihazları ve mikro-dalga fırınlar gibi cihazlardan uzak tutun.
Alet çalışmıyorken elektrikli süpürge çalışıyor.	Diğer kullanıcılar, elektrikli süpürge için kablosuz çalıştırılmasını kendi aletleriyle kullanıyor.	Diğer aletlerin kablosuz çalıştırma düğmesini kapatın veya diğer aletlerin alet kaydını iptal edin.

BAKIM

⚠ DİKKAT: Muayene ya da bakım yapmadan önce aletin kapalı ve batarya kartuşunun çıkartılmış olduğundan daima emin olun.

ÖNEMLİ NOT: Benzin, tiner, alkol ve benzeri maddeleri kesinlikle kullanmayın. Renk değişimi, deformasyon veya çatlaklar oluşabilir.

Aleti EMNİYETLİ ve ÇALIŞMAYA HAZIR durumda tutmak için onarımlar, başka her türlü bakım ve ayarlamalar daima Makita yedek parçaları kullanılarak Makita yetkili servis merkezleri veya Fabrikanın Servis Merkezleri tarafından yapılmalıdır.

Kullanım sonrası

Aleti düzenli aralıklarla kuru bir bez veya sabunlu su ile hafifçe nemlendirilmiş bir bez kullanarak silin.

Yastığın değiştirilmesi

Aşağıdaki durumlarda yastığı değiştirin.

- Yastık üzerindeki cırt cırt aşındığında.
- Yastığı dikdörtgenden üçgene veya üçgenden dikdörtgene değiştirmek istediğinizde.

1. Yastığı ve tabanı sabitleyen vidaları aletten gevşetip çıkarın.

► **Şek.40:** 1. Vida 2. Ped 3. Taban

2. Mevcut yastığı ve tabanı başka bir yastık ve tabanla değiştirin.

3. Yastığı sabitlemek için vidaları yeniden iyice sıkın.

İSTEĞE BAĞLI AKSESUARLAR

⚠ DİKKAT: Bu aksesuarlar ve ek parçalar bu el kitabında belirtilen Makita aletiniz ile kullanılmak için tavsiye edilmektedir. Herhangi başka bir aksesuar ya da ek parça kullanılması insanlar için bir yaralanma riski getirebilir. Aksesuarları ya da ek parçaları yalnızca belirtilmiş olan kullanım amaçlarına uygun olarak kullanın.

Bu aksesuarlarla ilgili daha fazla bilgiye ihtiyaç duyar-sanız bulunduğunuz yerdeki yetkili Makita servisine başvurun.

- Zımpara kağıdı (cırt cırt)
- Yastık koruyucu
- Dikdörtgen ped
- Üçgen yastık
- Toz torbası
- Kayış takımı
- Koruyucu kılıf
- Batarya adaptörü
- Kablosuz ünitesi
- Orijinal Makita batarya ve şarj aleti

NOT: Listedeki parçaların bazıları alet paketi içerisinde standart aksesuar olarak dahil edilmiş olabilir. Bunlar ülkeden ülkeye farklılık gösterebilir.

Makita Europe N.V.

Jan-Baptist Vinkstraat 2, 3070 Kortenberg, Belgium

Makita Corporation

3-11-8, Sumiyoshi-cho, Anjo, Aichi 446-8502 Japan

www.makita.com



885A72A997
EN, FR, DE, IT, NL,
ES, PT, EL, TR
20240913