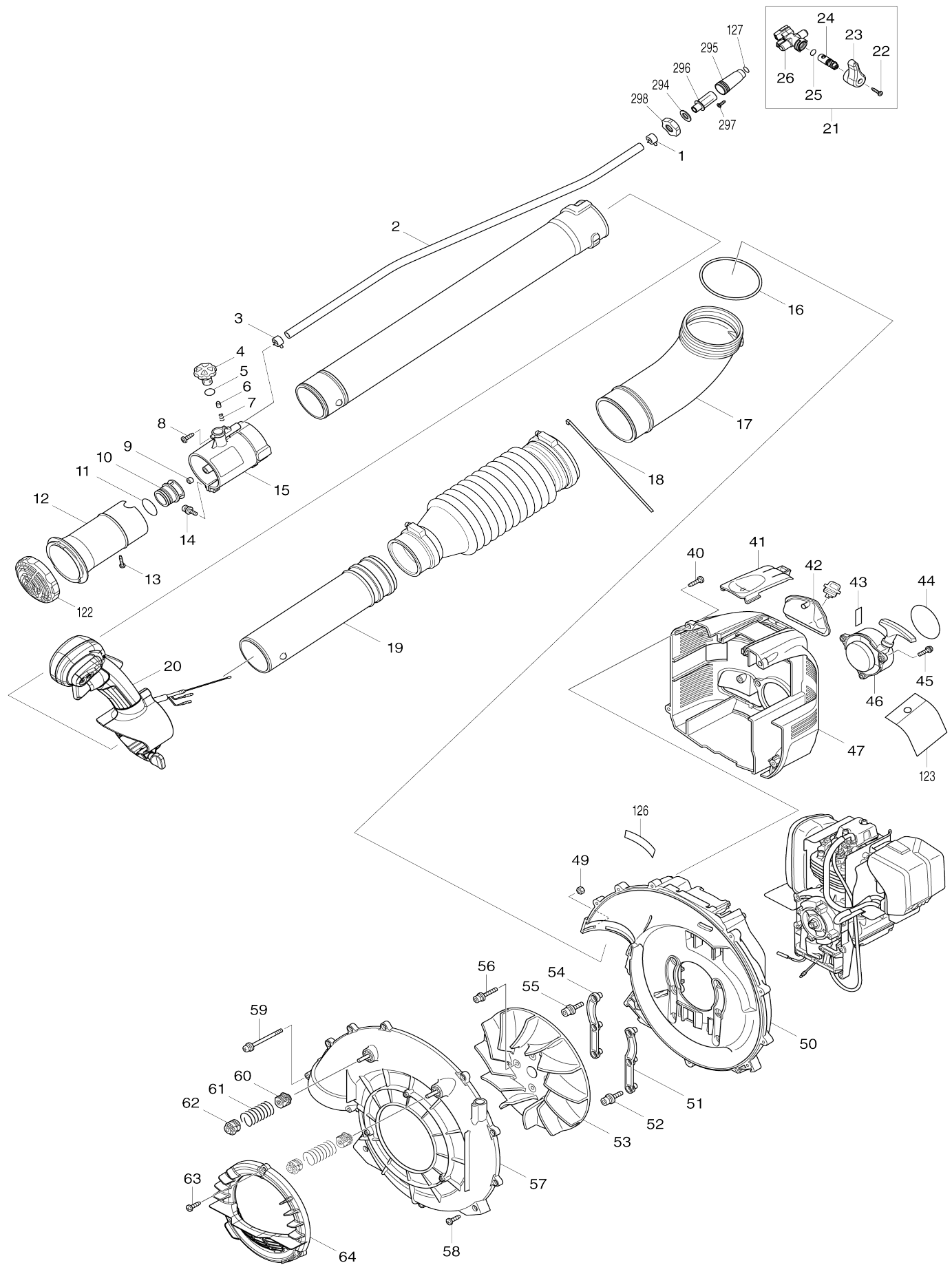
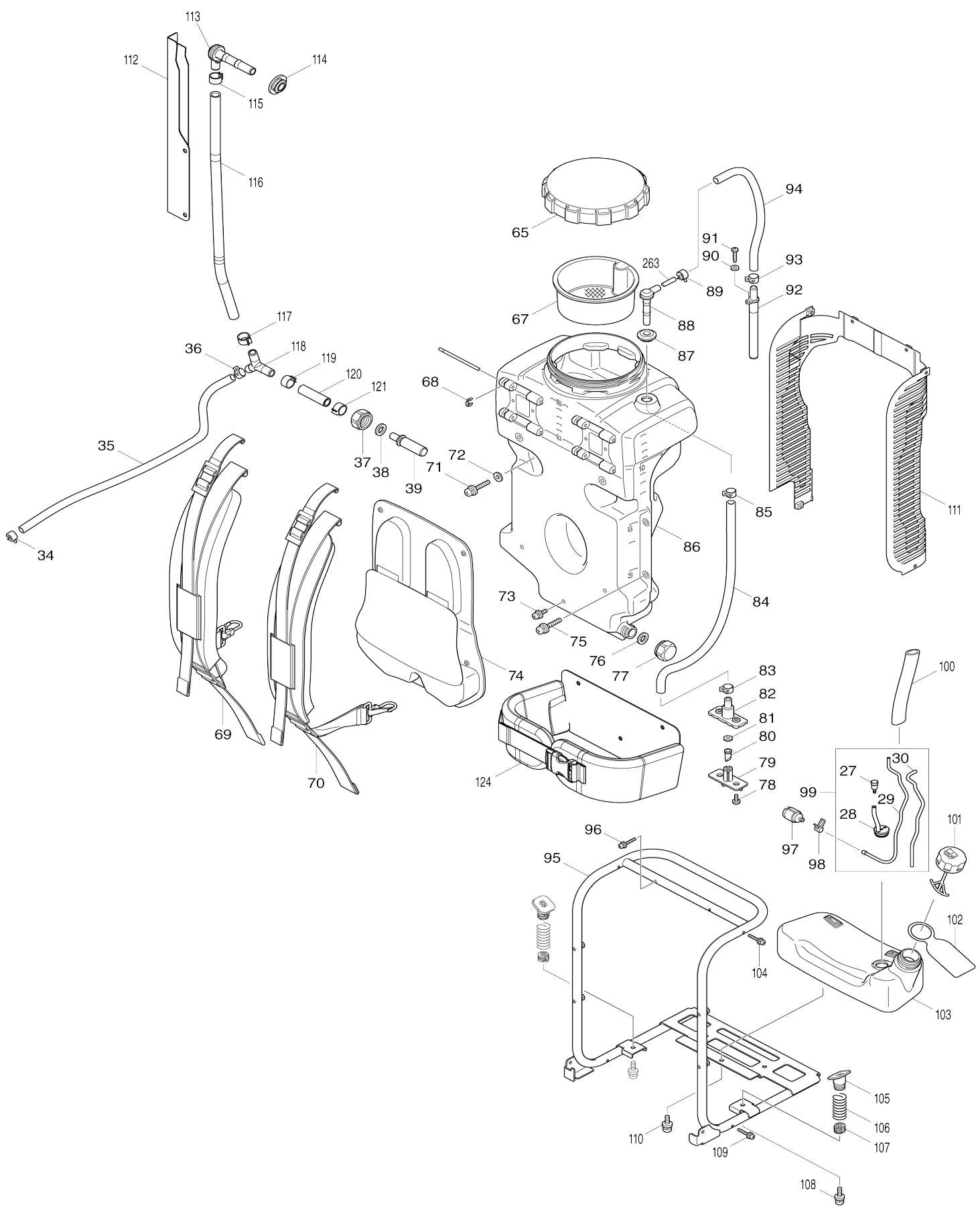


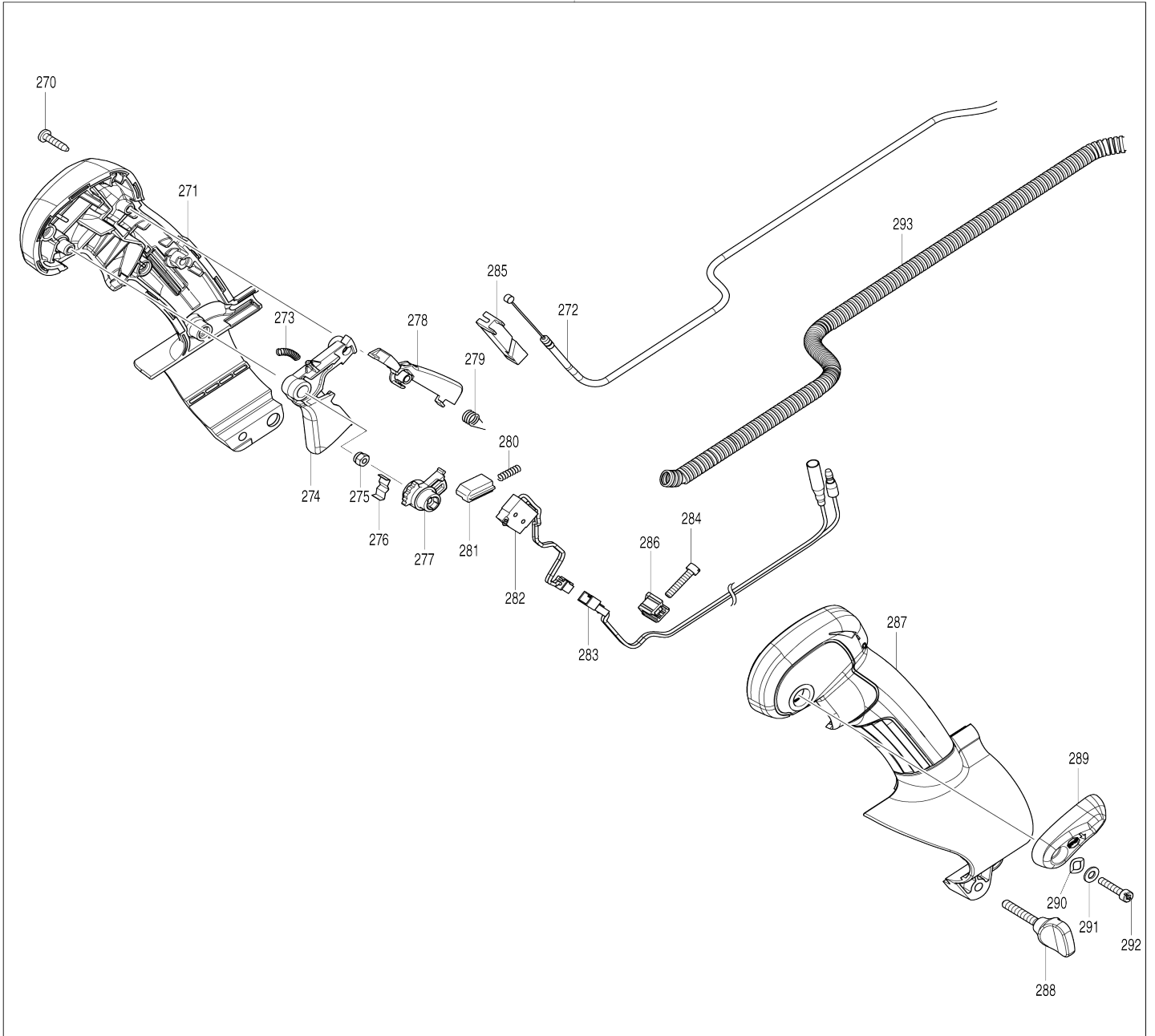
Model No.SP7650.4R PETROL MIST BLOWER



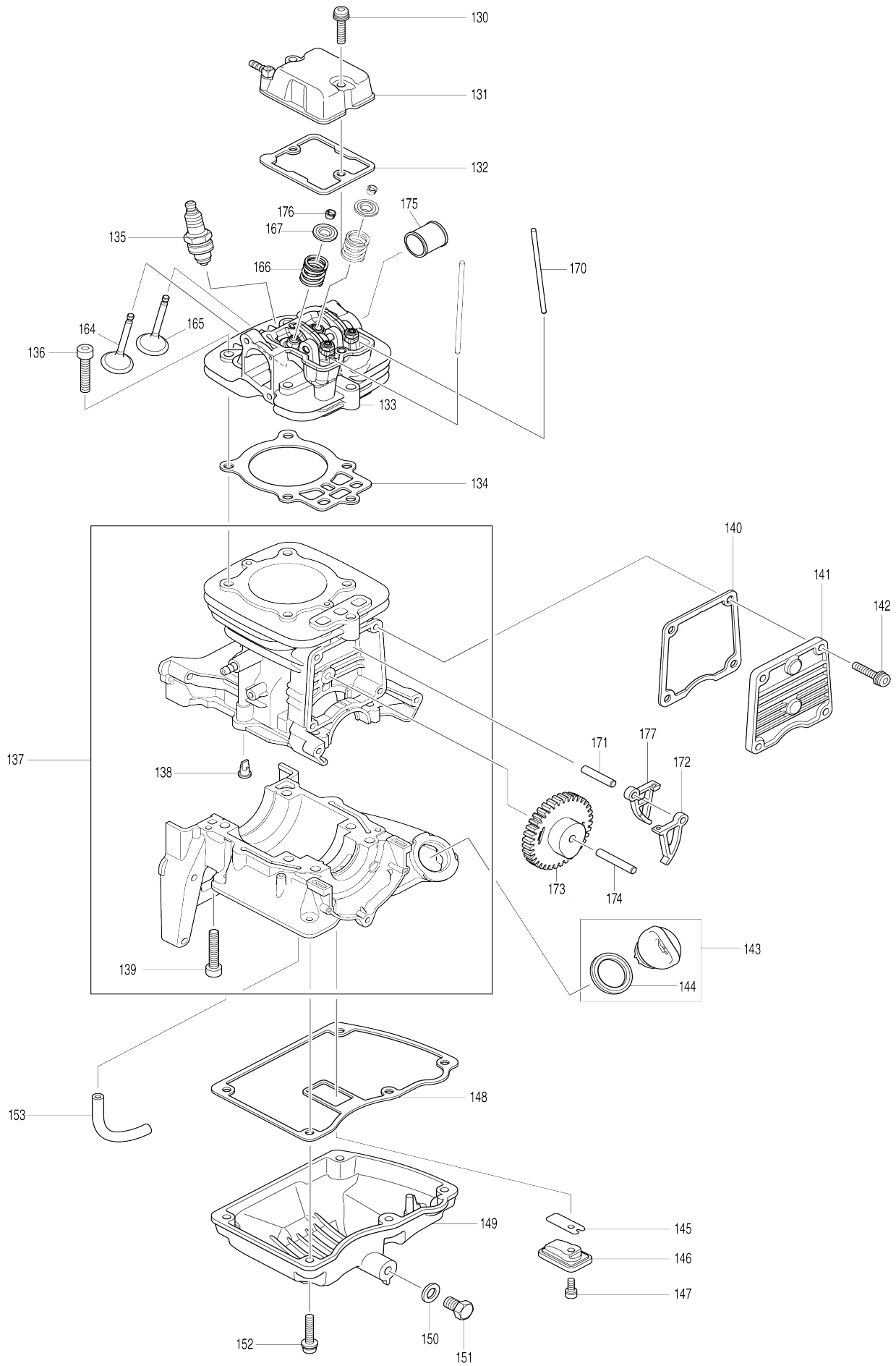
Model No.SP7650.4R PETROL MIST BLOWER



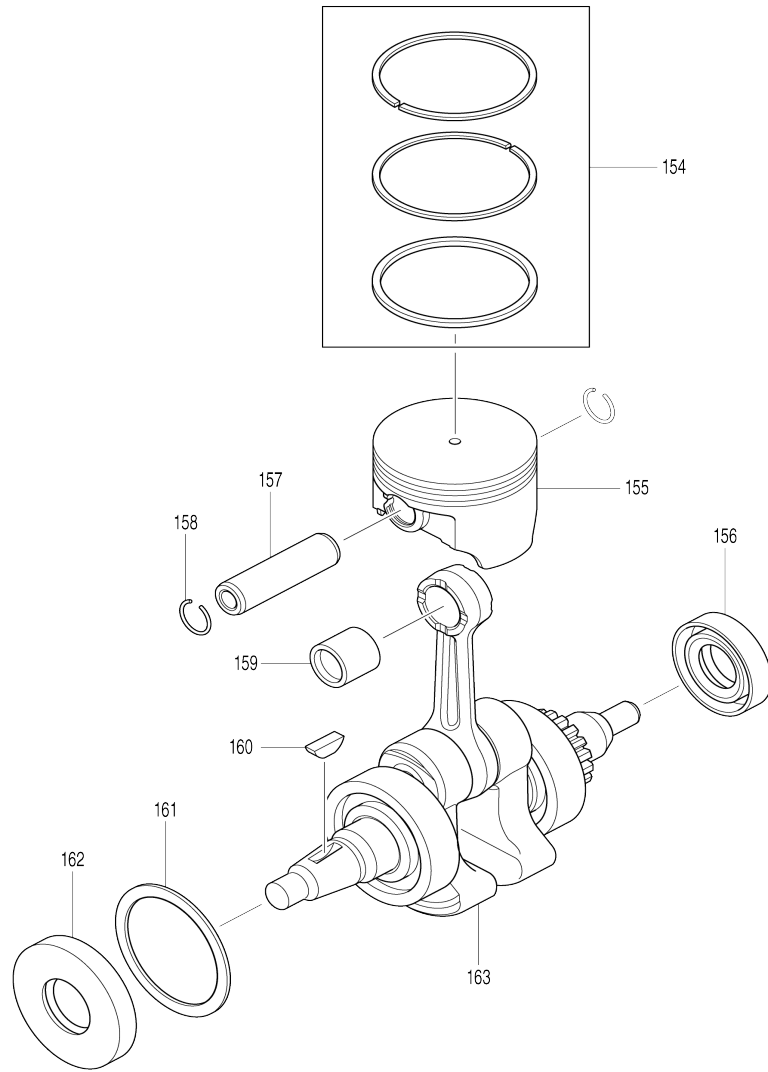
20



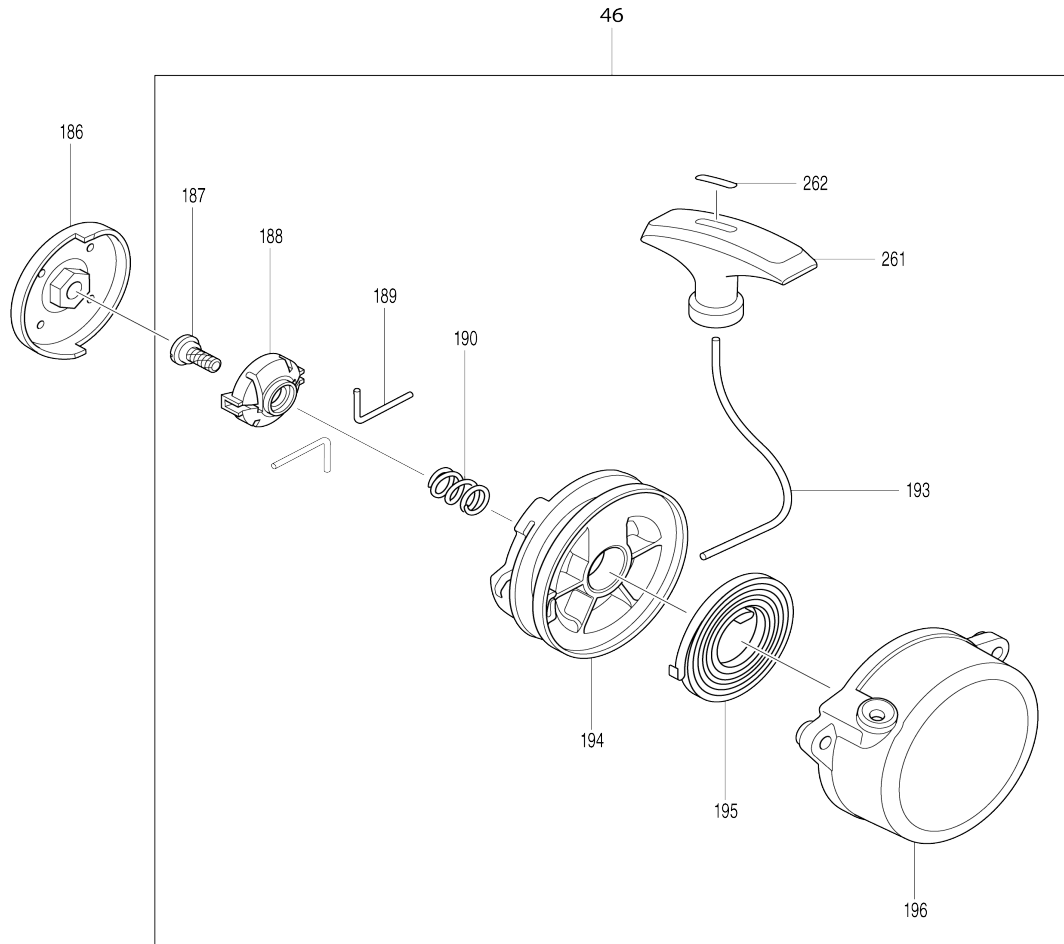
Model No.SP7650.4R PETROL MIST BLOWER



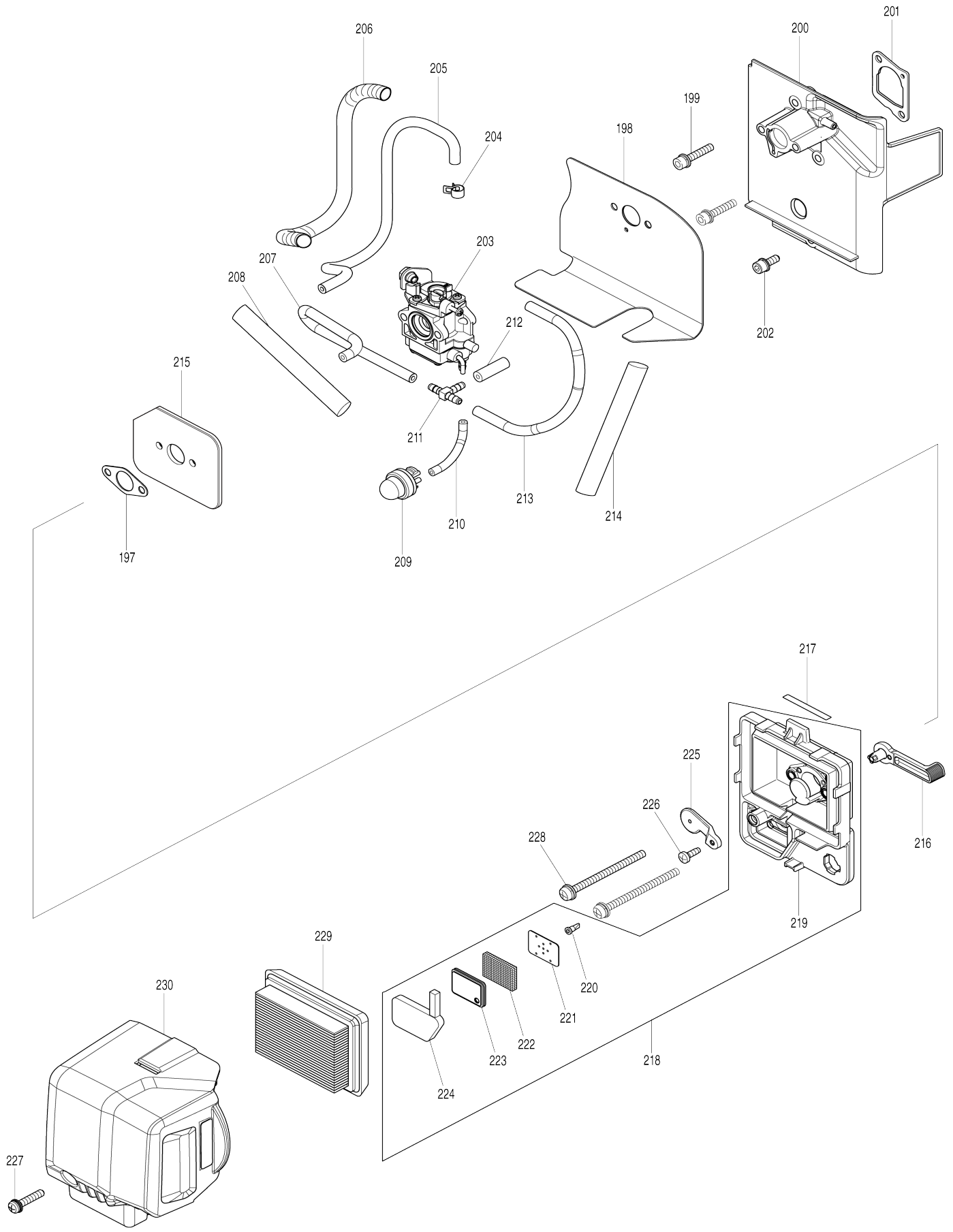
Model No.SP7650.4R PETROL MIST BLOWER



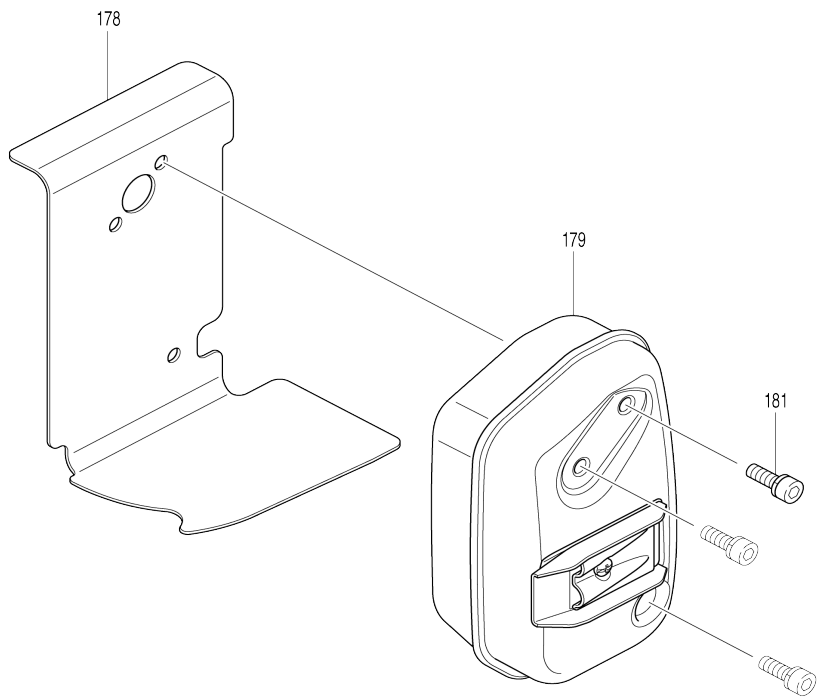
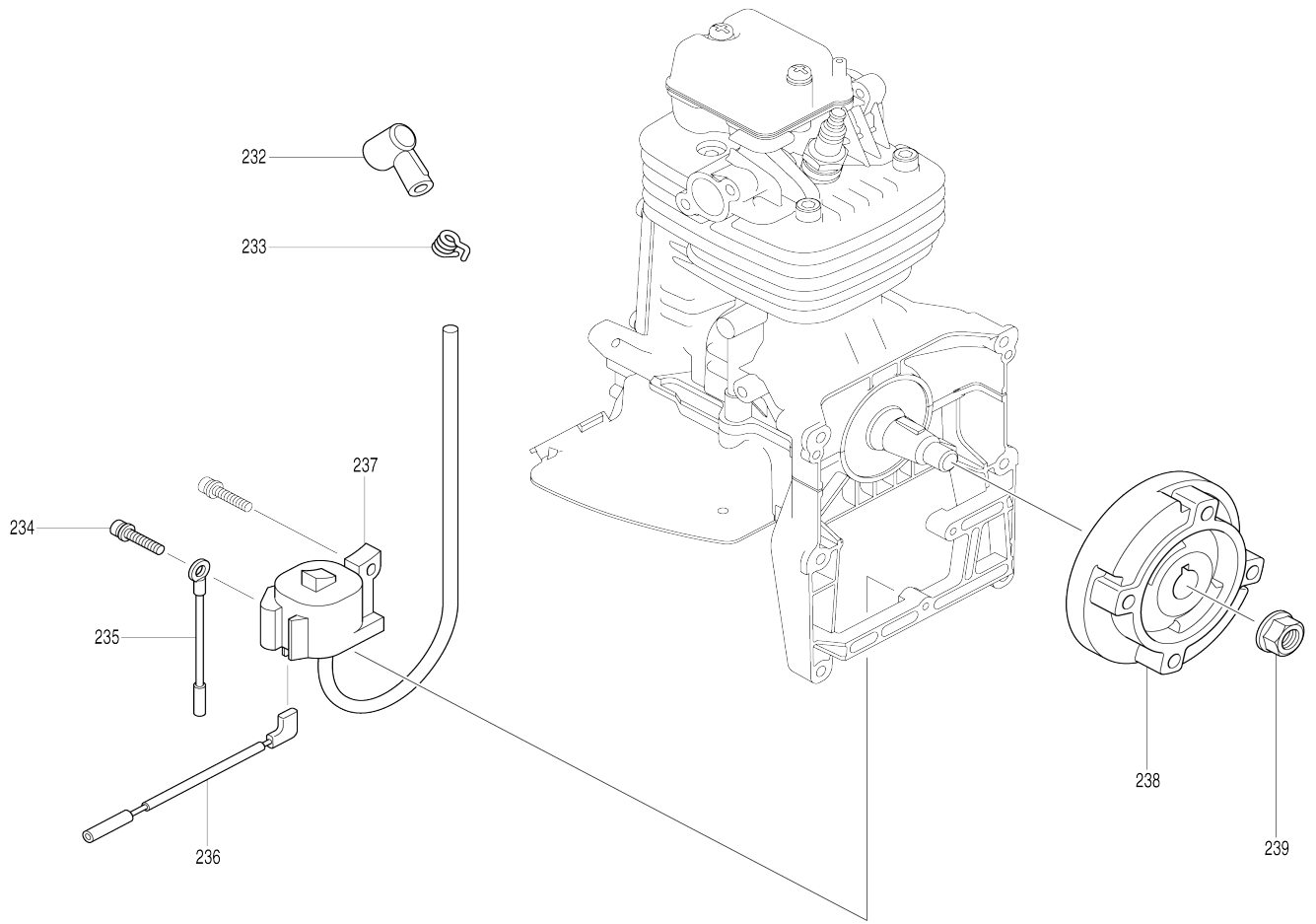
Model No.SP7650.4R PETROL MIST BLOWER

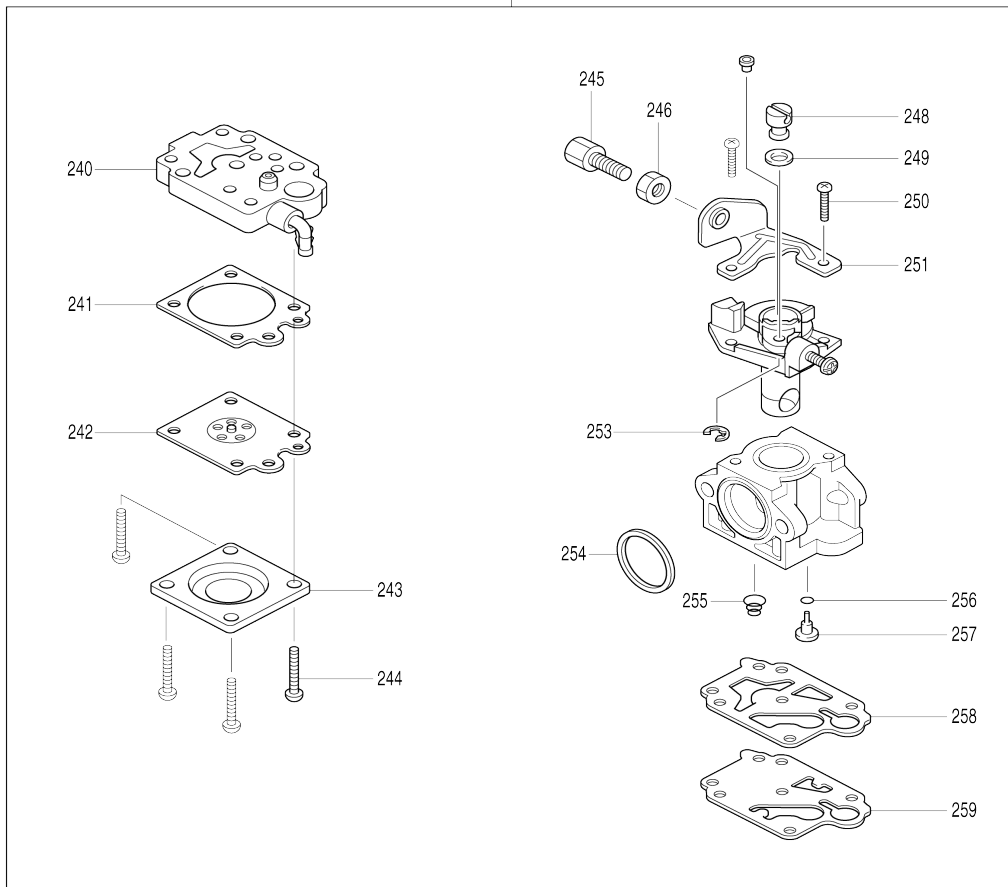


Model No.SP7650.4R PETROL MIST BLOWER



Model No.SP7650.4R PETROL MIST BLOWER





Model No.SP7650.4R PETROL MIST BLOWER

Item No.	Parts No.	Description	Interchangability	Q'ty	New/Old	Note1	Note2
001	282023-2	HOSE CLAMP 14		1			
002	412110-5	TUBE 10-750		1			
003	282023-2	HOSE CLAMP 14		1			
004	453505-3	NOZZLE CAP		1			
005	213686-3	O-RING 12		1			
006	268288-0	PIN 5.5		1			
007	234244-2	COMPRESSION SPRING 3		1			
008	266007-8	TAPPING SCREW BIND PT 3X10		1			
009	326198-8	NOZZLE 4.5		1			
010	453599-8	SLEEVE 25		1			
011	213437-4	O RING 28		1			
012	455663-1	TOP ADAPTER		1			
013	266045-0	TAPPING SCREW 4X20		1			
014	911228-4	PAN HEAD SCREW M5X18		1			
015	141921-8	NOZZLE ADAPTER COMPLETE		1			
016	213645-7	O RING 93		1			
017	412116-3	ELBOW		1			
018	453714-4	WIRE BAND		1			
019	168746-5	SWIVEL PIPE COMPLETE		1			
020	126579-4	Control lever assembly		1			
D10		INC. 270-293					
021	126580-9	COCK ASSEMBLY		1	*		
D10		INC. 22-26					
021-1	123852-3	COCK ASSEMBLY	O	1	*		
D10		INC. 22-26					
021-2	123981-2	COCK ASSEMBLY	<	1			
D10		INC. 22-26					
022	266326-2	TAPPING SCREW 4X18		1			
023	455657-6	COCK LEVER		1	*		
023-1	457249-7	COCK LEVER	O	1	*		
023-2	457675-0	COCK LEVER	S	1			
024	455655-0	COCK		1	*		
024-1	457674-2	COCK	S	1			
025	213647-3	O-RING 9		1			
026	455656-8	COCK BODY		1			
027	168396-6	BREATHER		1			
028	424505-0	FUEL GROMMET		1			
029	412120-2	FUEL TUBE 3-370		1			
030	412114-7	FUEL TUBE 3-370		1			
034	282023-2	HOSE CLAMP 14		1			
035	412109-0	TUBE 10-500		1			
036	282023-2	HOSE CLAMP 14		1			
037	453616-4	CAP HOSE		1			
038	424760-4	BLIND PACKING		1			
039	456172-3	JOINT		1			
040	266420-0	TAPPING SCREW 5X20		4			
041	450964-2	PLUG COVER		1			

042	424504-2	OIL GUARD		1		
043	850A39-7	SERIAL NO. LABEL		1		
044	806A89-0	Model no. Label SP-7650.4 R		1		
045	911233-1	PAN HEAD SCREW M5X20		3		
046	126165-1	RECOIL		1		
D10		INC. 187-190,193-196,261,262				
047	141984-4	ENGINE COVER COMPLETE		1		
C10	898343-0	CAUTION LABEL		1		
049	931202-6	HEX. NUT M5		2		
050	453558-2	VOLUTE CASE 2		1		
051	318891-8	BASE R		1		
052	922353-6	HEX.SOCKET HEAD BOLT M6X30		3		
053	240138-1	IMPELLER		1		
054	318890-0	BASE L		1		
055	922353-6	HEX.SOCKET HEAD BOLT M6X30		3		
056	266828-8	H.S.H.BOLT M6X40 WITH WR		4		
057	454669-6	VOLUTE CASE 1		1		
058	266420-0	TAPPING SCREW 5X20		9		
059	911288-6	PAN HEAD SCREW M5X65		2		
060	453561-3	TANK HOLDER		2		
061	234247-6	COMPRESSION SPRING 20		2		
062	453561-3	TANK HOLDER		2		
063	266420-0	TAPPING SCREW 5X20		3		
064	454670-1	FAN GUARD		1		
065	126582-5	TANK CAP ASSEMBLY		1		
067	455658-4	TANK STRAINER		1		
068	961011-9	STOP RING E-4		4		
069-1	161512-9	BAND R		1		
070-1	161511-1	BAND L		1		
071	911353-1	PAN HEAD SCREW M6X30		2		
072	253804-1	FLAT WASHER 6		2		
073	911213-7	PAN HEAD SCREW M5X12		5		
074	166144-7	CUSHION		1	*	
074-1	161566-6	CUSHION	<	1		
075	911353-1	PAN HEAD SCREW M6X30		4		
076	424760-4	BLIND PACKING		1		
077	453615-6	CAP		1		
078	266767-2	PAN HEAD SCREW M5X12		2		
079	453496-8	MIXING BODY LOWER		1		
080	424492-3	CHECK VALVE		1		
081	267462-7	FLAT WASHER 10		1		
082	453495-0	MIXING BODY UPPER		1		
083	282023-2	HOSE CLAMP 14		1		
084	412109-0	TUBE 10-500		1		
085	282023-2	HOSE CLAMP 14		1		
086	143032-5	Tank complete		1	*	
C10	806A90-5	Caution label		1	*	
086-1	144417-8	Tank complete D	<	1		
C10	812D39-3	Caution label		1		
087	424503-4	GROMMET		1		
088	454683-2	JOINT 1		1		
089	282023-2	HOSE CLAMP 14		1		

090	253874-0	FLAT WASHER 4		1		
091	265995-6	TAPPING SCREW 4X18		1		
092	453498-4	PRESSURE PIPE		1		
093	282023-2	HOSE CLAMP 14		1		
094	412108-2	TUBE 10-300		1		
095	165686-8	FRAME COMPLETE		1		
096	911148-2	PAN HEAD SCREW M4X25		2		
097	163532-9	FILTER		1		
098	345920-4	HOSE CLAMP		1		
099	126138-4	FUEL TUBE ASSEMBLY		1		
D10		INC. 27-30				
100	412119-7	TUBE GUARD 20-160		1		
101	125472-9	FUEL TANK CAP ASSEMBLY		1	*	
101-1	127108-6	FUEL TANK CAP ASSEMBLY	O	1		
102	810455-9	CAUTION PLATE		1		
103	453618-0	FUEL TANK		1		
104	911148-2	PAN HEAD SCREW M4X25		2		
105	453499-2	FRAME HOLDER		2		
106	234246-8	COMPRESSION SPRING 17		2		
107	453560-5	LOWER FRAME HOLDER		2		
108	911333-7	PAN HEAD SCREW M6X20		2		
109	911148-2	PAN HEAD SCREW M4X25		2		
110	911313-3	PAN HEAD SCREW M6X12 WITH WR		3		
111	454684-0	GUARD		1		
112	346745-9	TUBE COVER		1		
113	454683-2	JOINT 1		1		
114	424503-4	GROMMET		1		
115	282023-2	HOSE CLAMP 14		1		
116	412143-0	TUBE 10-420		1		
117	282023-2	HOSE CLAMP 14		1		
118	454751-1	JOINT		1		
119	282023-2	HOSE CLAMP 14		1		
120	412142-2	TUBE 10-50		1		
121	282023-2	HOSE CLAMP 14		1		
122	453506-1	DIFFUSION COVER		1		
123	819430-2	CAUTION TAG		1		
124	197055-5	HIP BELT SET		1	*	
124-1	199240-6	Waist belt set	<	1		
126	805X11-2	Gas emission approval label		1	*	
127	213686-3	O-RING 12		1		
130-1	922253-0	H.S.H.BOLT M5X30 WITH WR		2		
131	141771-1	ROCKER COVER COMPLETE		1		
132	5971500900	ROCKER COVER GASKET		1		
133	142771-4	CYLINDER HEAD COMPLETE		1	*	
133-1	126943-9	CYLINDER HEAD ASSEMBLY	O	1		
134	442167-2	CYLINDER HEAD GASKET		1		
135	168401-9	SPARK PLUG		1		
136	922357-8	HEX. SOCKET HEAD BOLT M6X35		5		
137-2	123580-0	ENGINE BLOCK ASSY(FOR SERVICE)		1		
C11	135739-7	CYLINDER BLOCK ASS'Y		1		

D10		INC. 130-134,136,140-159				
D20		INC. 161-167,170,172-174				
D30		INC. 176,177				
138	424201-0	CHECK VALVE		2		
139	922352-8	HEX. SOCKET HEAD BOLT M6X30		6		
140	442168-0	CAM GEAR GASKET		1		
141	318725-5	CAM GEAR COVER		1		
142	266813-1	H.S.H.BOLT M5X16 WITH WR		4	*	
142-1	922223-9	H.S.H.BOLT M5X16 WITH WR	O	4		
143	6676005000	OIL CAP ASSY		1		
D10		INC. 144				
144	0213229980	GASKET		1		
145	346083-9	LEAD VALVE		1		
146	5931501300	RETAINER PLATE		1		
147	0119049980	SOCKET HEAD BOLT M4X10		1	*	
147-1	922117-8	HEX. SOCKET HEAD BOLT M4X12	O	1		
148	5976500100	OIL CASE GASKET		1		
149	319008-6	OIL CASE		1		
150	346452-4	GASKET		1		
151	266916-1	HEX. BOLT M8X12		1	*	
151-1	921412-3	HEX. BOLT M8X12	<	1		
152-1	922243-3	HEX. SOCKET HEAD BOLT M5X25		5		
153	0851109960	TUBE		1	*	
153-1	422420-2	TUBE3-80	<	1		
154-1	197040-8	PISTON RING SET		1		
155	318726-3	PISTON		1		
156	213599-8	OIL SEAL 17		1	*	
156-1	213091-4	OIL SEAL 17	<	1		
157-1	257344-1	PISTON PIN		1	*	
157-2	326039-8	PISTON PIN	O	1		
158	233995-4	RING SPRING 12		2		
159	0610129940	NEEDLE ROLLER BEARING		1		
160	0323049950	WOODRUFF KEY		1		
161	267448-1	FLAT WASHER 41		1		
162	213598-0	OIL SEAL(L)		1	*	
162-1	213090-6	OIL SEAL(L)	<	1		
163	126576-0	CRANK SHAFT ASSEMBLY		1		
164	331964-0	INTAKE VALVE		1		
165	331965-8	EXHAUST VALVE		1		
166	234212-5	COMPRESSION SPRING 11		2		
167	331966-6	RETAINER		2		
170	256526-2	PUSH ROD		2		
172-1	310715-4	CAM LIFTER L		1		
173	5973002002	CAMGEAR ASSY		1	*	
173-1	126622-9	CAMGEAR ASSEMBLY	<	1		
174	256200-2	PIN 5		1		
175	331937-3	EXHAUST PORT SPACER		1		
176	331967-4	COTTER		4		
177	313267-4	CAM LIFTER R		1		
178-1	346682-7	MUFFLER GASKET		1		
179	5973001003	MUFFLER EXHAUST		1	*	
179-1	168807-1	EXHAUST MUFFLER	O	1		

181	266771-1	SOCKET HEAD BOLT M6X18		3			
186	5975500000	PULLEY		1	*		
186-1	161599-1	PULLEY	O	1			
187	266585-8	TAPPING SCREW 5X12		1			
188	424516-5	COLLAR		1			
189	326200-7	SWING ARM		2			
190	234257-3	FRICTION SPRING		1			
193	444043-6	STARTER ROPE		1			
194	441075-4	REEL		1			
195	232262-4	SPIRAL SPRING		1	*		
195-1	SG00000014	SPIRAL SPRING	O	1			
196	141649-8	STARTER CASE COMPLETE		1			
197	5233504200	CARBURETOR GASKET		1			
198	423438-6	CARBURETOR GASKET		1			
199	266749-4	HEX. S.H.B. M5X25 WITH WR		2			
200	141670-7	INSULATOR COMPL		1			
201	162333-2	INSULATOR GASKET		1			
202	0119059490	SOCKET HEAD BOLT M5X14 (W,S W)		1			
203	168725-3	CARBURETOR		1			
D10		INC. 240-246,248-251,253-259					
204	282027-4	HOSE CLAMP 6		1			
205	412134-1	TUBE 3-210		1			
206	454190-5	CORRUGATE TUBE 160		1			
207	412121-0	TUBE 3-130		1			
208	412123-6	TUBE 10-110		1			
209	168398-2	PRIMER PUMP		1			
210	412112-1	TUBE 3-60		1			
211	452952-5	HOSE JOINT		1			
212	422096-5	TUBE 3-25		1			
213	412122-8	TUBE 3-240		1			
214	412124-4	TUBE 10-220		1			
215	346582-1	PLATE 31		1			
216	453502-9	CHOKE LEVER		1	*		
216-1	458165-6	CHOKE LEVER	S	1			
217	814P65-0	SERIAL NO. LABEL		1			
218	126149-9	CLEANER PLATE ASSEMBLY		1			
D10		INC. 219-224					
219	453501-1	AIR CLEANER PLATE		1			
220	424316-3	CHECK VALVE		1			
221	162325-1	SEPARATOR GASKET		1			
222	352013-0	SEPARATOR NET		1			
223	162322-7	SEPARATOR STOPPER		1			
224	162324-3	SEPARATOR PLATE		1			
225	5973501700	CHOKE PLATE		1	*		
225-1	458166-4	CHOKE PLATE	<	1			
226	266427-6	TAPPING SCREW 4X12		1			
227	911243-8	PAN HEAD SCREW M5X25		1			
228	911293-3	PAN HEAD SCREW M5X70		2			
229	442181-8	AIR CLEANER ELEMENT		1	*		
229-1	442181-8	AIR CLEANER ELEMENT	O	1			
230	141525-6	AIR CLEANER COVER COMPLETE		1			

C10	898350-3	INDICATION LABEL		1		
232	424105-6	PLUG CAP		1		
233	324891-8	PLUG CAP SPRING		1		
234	0119049970	SOCKET HEAD BOLT M4X20		2	*	
234-1	922138-0	H.S.H.BOLT M4X20 WITH WR	O	2		
235	638784-6	WIRE		1		
236	638710-5	LEAD WIRE		1		
237	5977001010	IGNITION COIL		1	*	
237-1	161837-1	IGNITION COIL	O	1		
238	5977001020	FLYWHEEL COMPL		1	*	
238-1	319170-7	FLYWHEEL	O	1		
239	264054-3	FLANGE NUT M10		1		
240	141672-3	PUMP BODY ASSEMBLY		1		
C11	WJ00014070	INLET SCREEN		1		
241	442183-4	METERING DIAPHRAGM GASKET		1		
242	168620-7	METERING DIAPHRAGM		1		
243	WJ00021158	METERING DIAPHRAGM COVER		1		
244	WJ00096325	SCREW		4		
245	266795-7	ADJUST SCREW		1		
246	264065-8	CABLE ADJUST NUT M6		1		
248	325922-6	SWIVEL		1		
249	413140-9	WASHER		1		
250	266704-6	PAN HEAD SCREW M3X10		2		
251	346491-4	BRACKET CABLE		1		
253	257964-1	STOP RING E-3		1		
254	424444-4	PACKING RING		1		
255	234183-6	CONICAL COMPRESSION SPRING 5-9		1		
256	213538-8	O RING 2		1		
257	326243-9	JET		1		
258	442155-9	PUMP GASKET		1		
259	168575-6	PUMP DIAPHRAGM		1	*	
259-1	WJ00009599	PUMP DIAPHRAGM	O	1		
261	424361-8	STARTER KNOB		1		
262	424360-0	ROPE STOPPER		1		
263	423467-9	SPONGE 12		1		
270	266326-2	TAPPING SCREW 4X18		5		
271	183A32-9	Lever case set (black)		1		
D10		INC. 287				
272	168843-7	CONTROL CABLE		1		
273	231469-9	COMPRESSION SPRING 4		1		
274	455648-7	Throttle lever		1		
275	252126-6	HEX. LOCK NUT M4-7		1		
276	232264-0	LEAF SPRING		1		
277	455651-8	Throttle link		1		
278	455649-5	Lock off lever		1		
279	233541-3	TORSION SPRING 7		1		
280	231469-9	COMPRESSION SPRING 4		1		
281	455652-6	Stopper		1		
282	638642-6	SWITCH UNIT		1		
283	632C07-2	LEAD UNIT		1		
284	266935-7	Hex socket head bolt M4X20		1		

285	455653-4	CABLE HOLDER		1		
286	455654-2	Adjuster		1	*	
286-1	457250-2	Adjuster	S	1		
287	183A32-9	Lever case set (black)		1		
D10		INC. 271				
288	265762-9	THUMB SCREW M5X30		1		
289	455650-0	Lever 43		1		
290	253903-9	WAVE WASHER 6		1		
291	267010-2	FLAT WASHER 5		1		
292	266935-7	Hex socket head bolt M4X20		1		
293	456235-5	CORRUGATE TUBE		1		
294	424760-4	BLIND PACKING		1		
295	456173-1	Strainer case		1		
296	453559-0	JOINT STRAINER		1		
297	266429-2	TAPPING SCREW 3X16		2		
298	453616-4	CAP HOSE		1		
299	252126-6	HEX. LOCK NUT M4-7		1		
A01	163319-9	HAND STRAP		1		
A02	782237-8	BOX WRENCH		1		
A03	783019-1	DRIVER		1		
A04	195615-7	Oil bottle set		1		
A05	282024-0	HOSE CLAMP 76		4		
A06	282025-8	HOSE CLAMP 100		1		
A07	412115-5	FLEXIBLE PIPE		1		
A08	455792-0	STRAIGHT PIPE 630		1		
A09	455793-8	STRAIGHT PIPE 380		1		
A10	456182-0	TUBE 10-250		1		
A11	455794-6	BENT PIPE 630		1		
A12	455634-8	FLAT PIPE		1		
B01	197056-3	HOSE CLAMP SET		1		
D10		INC. A05,A06				
B02	197070-9	O-ring set		1		
D10		INC. 5,25,127				
E01	812D40-8	Sound label 113DB		1		

Please state Parts No. when your order.

Print Date 27/10/2023