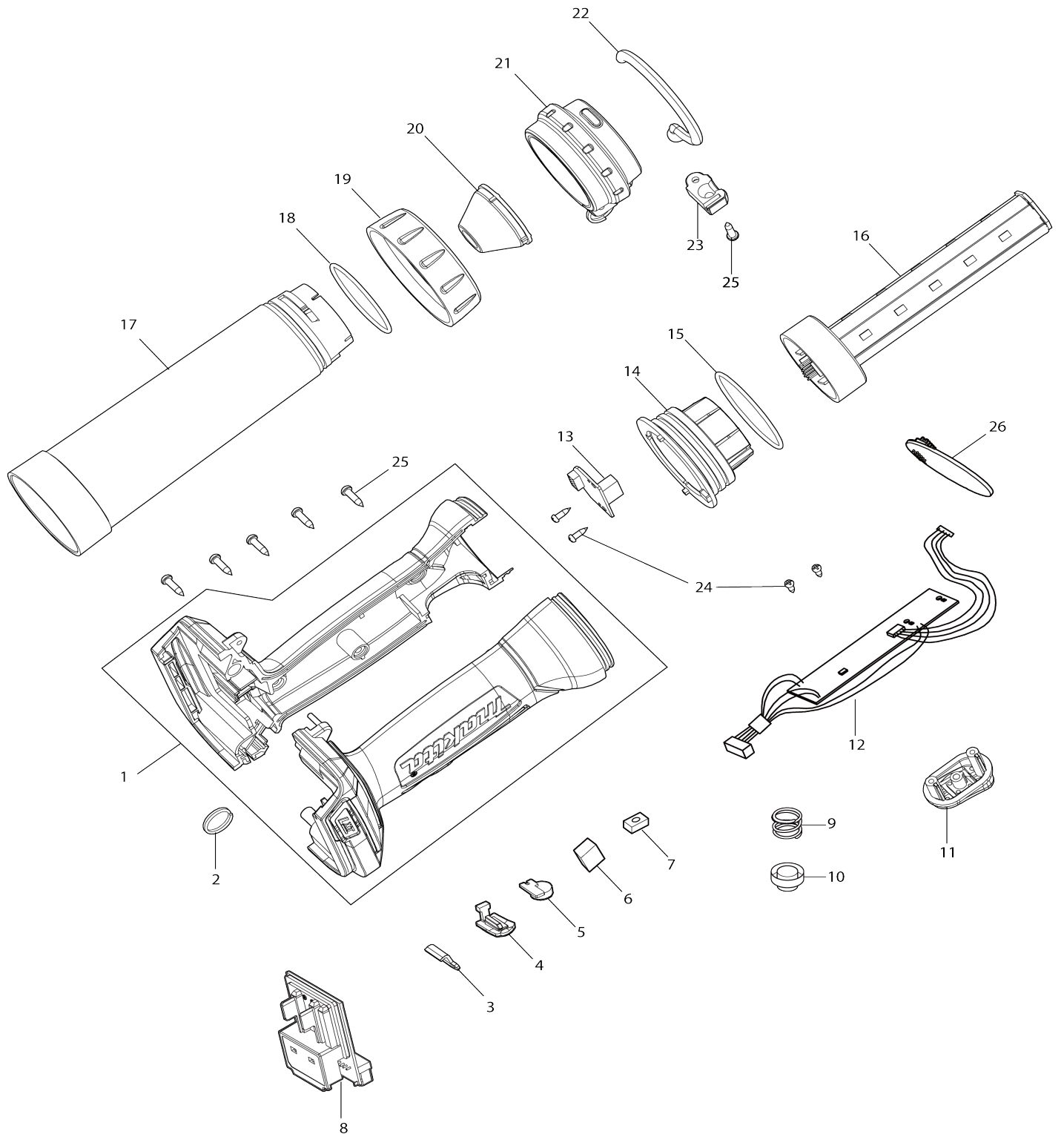


Model No.ML104 LED FLASHLIGHT



Model No.ML104 LED FLASHLIGHT

Item No.	Parts No.	Description	Interchangability	Q'ty	New/Old	Note1	Note2
001	GM00001684	HOUSING L/R ASSY ROS81040300		1			
002	SM00000190	RING B3103184009		1			
003	GM00001459	METAL STRAP HOOK B2808807021		1			
004	GM00001685	USB RUBBER COVER C9020104001		1			
005-1	GM00001712	USB SWITCH BUTTON C9020104003		1			
006	GM00001672	HEAT TRANSFER PAD A3252040000		1			
007	GM00001687	METAL,SQUARE NUT B0210053000		1			
008	GM00001688	BATTERY HOLDER+USB PCBA ASSY		1			
009	GM00001689	METAL SPRING, B1312104021		1			
010	GM00001690	PLASTIC SWITCH POST C1020104000		1			
011	GM00001461	SWITCH HOLDER ASSY ROS88070004		1			
012	GM00001691	MAIN PCBA ASSY ROS81040302		1			
013	GM00001692	FEMALE SOCKET PCBA ROS81040303		1			
014	GM00001693	LAMP HOLDER C1020104002		1			
015	GM00001464	O-RING (CAP) C9820807004		1			
016	GM00001694	LED LAMP TUBE ASSY ROS81040304		1			
017	GM00001695	DIFFUSING CAP(ML104) ROS810403		1			
018	GM00001467	O-RING C9820807003		1			
019	GM00001468	LOCK RING C0110184004		1			
020	GM00001469	REFLECTOR ROS88070008		1			
021	GM00001470	BEZEL ASSY ROS88070001		1			
022	GM00001471	HOOK ASSY ROS88070000		1			
023	GM00001472	HOOK BALL COVER C3020807002		1			
024	GM00001395	SCREW 2.6X8PB B0126081102		4			
025	GM00001024	SCREW 3X12 B0130120202		6			
026	GM00001696	ML104 LED DRIVER PCBA ASSY		1			

Please state Parts No. when your order.

Print Date 26.10.2023