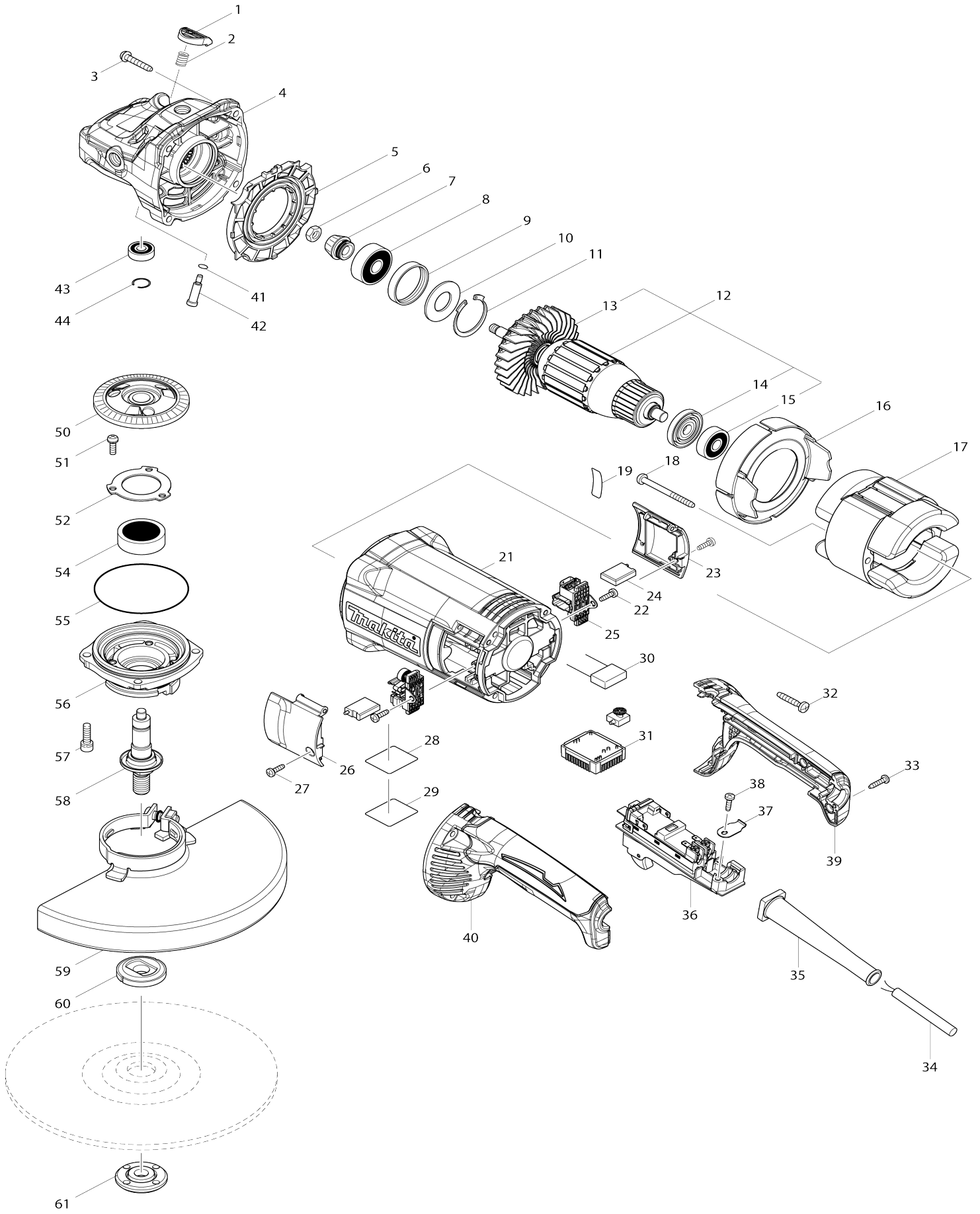


Model No.GA9060R 230MM ANGLE GRINDER



Model No.GA9060R 230MM ANGLE GRINDER

Item No.	Parts No.	Description	Interchangability	Q'ty	New/Old	Note1	Note2
001	456247-8	PIN CAP		1			
002	234391-9	COMPRESSION SPRING 8		1			
003	251489-7	TAPPING SCREW 5X30		4			
004	143485-8	GEAR HOUSING COMPLETE		1			
C10	263002-9	RUBBER PIN 4		1			
005	456238-9	DIFFUSER		1			
006	252194-9	HEX. NUT M8		1			
007	227652-4	SPIRAL BEVEL GEAR 13		1			
008	211132-0	BALL BEARING 6301DDW		1			
009	262085-6	RUBBER RING 38		1			
010	267299-2	FLAT WASHER 20		1			
011	962211-4	RETAINING RING R-42		1			
012	513448-2	ARMATURE ASS'Y 220V		1			
D10		INC. 13-15					
013	240161-6	FAN 86		1			
014	681630-2	INSULATION WASHER		1			
015	211087-9	BALL BEARING 6200DDW		1			
016	456239-7	BAFFLE PLATE		1			
017	621779-6	FIELD 240V		1			
018	266044-2	TAPPING SCREW 5X60		2			
019	851V25-7	GA9060R SERIAL NO. LABEL		1			
021	456240-2	MOTOR HOUSING		1			
022	266192-7	TAPPING SCREW 4X14		2			
023	143950-7	BRUSH HOLDER COVER R COMPLETE		1	*		
023-1	456246-0	BRUSH HOLDER COVER R	>	1			
024	197129-2	CARBON BRUSH CB-218		1			
025	643714-4	BRUSH HOLDER		2	*		
025-1	643715-2	BRUSH HOLDER	<	2			
026	143949-2	BRUSH HOLDER COVER L COMPLETE		1	*		
026-1	456245-2	BRUSH HOLDER COVER L	>	1			
027	266192-7	TAPPING SCREW 4X14		2			
028	851V22-3	GA9060R NAME PLATE		1			
029	809R72-8	CLEAR LABEL		1	*		
030	645088-9	NOISE SUPPRESSOR		1	*		
031	620470-3	CONTROLLER		1	*		
031-1	620588-0	CONTROLLER	S	1	*		
031-2	620E20-4	CONTROLLER	<	1			
032	251489-7	TAPPING SCREW 5X30		4			
033	265995-6	TAPPING SCREW 4X18		2			
034	695107-1	POWER SUPPLY CORD 1.5-2-2.5		1			
035	682573-1	CORD GUARD 10		1			
036	632F79-5	SWITCH UNIT		1			
037	687169-3	STRAIN RELIEF		1			
038	266192-7	TAPPING SCREW 4X14		1			
039	183C62-2	HANDLE SET		1			
D10		INC. 40					

040	183C62-2	HANDLE SET		1		
D10		INC. 39				
041	213026-5	O RING 7		1	*	
041-1	213A14-8	O-RING7	O	1		
042	256571-7	SHOULDER PIN 7		1		
043	211032-4	BALL BEARING 608ZZ		1		
044	233925-5	RING SPRING 13		1		
050	227653-2	SPIRAL BEVEL GEAR 54		1		
051	265120-9	PAN HEAD SCREW M5X16		3		
052	285741-1	BEARING RETAINER 50		1		
054	211278-2	BALL BEARING 6203DDW		1		
055	213760-7	O RING 78		1		
056	319351-3	BEARING BOX		1		
057	265541-5	HEX. SOCKET HEAD BOLT M6X22		4		
058	143484-0	SPINDLE COMPLETE		1		
059	122891-0	WHEEL COVER 230K ASSEMBLY		1	*	
C10	213017-6	O RING 6		1	*	
C20	265198-2	+PAN HEAD SCREW M8X25		1	*	
059-1	141P32-5	WHEEL COVER 230K COMPLETE	<	1		
C10	213017-6	O RING 6		1	*	
C20	265198-2	+PAN HEAD SCREW M8X25		1		
C30	8050A1-8	CAUTION LABEL		1		
060	122444-5	INNER FLANGE 47 ASS'Y		1		
061	224485-8	LOCK NUT 14-45		1		
A01	162264-5	VIBRATION PROOF GRIP		1		
A02	782407-9	LOCK NUT WRENCH 35		1	*	
A02-1	197610-3	LOCK NUT WRENCH 35 SET	O	1		
A06	122913-6	WHEEL COVER 230CK ASSEMBLY		1		
C10	213017-6	O RING 6		1	*	
C20	265198-2	+PAN HEAD SCREW M8X25		1		
F04	192227-7	SUPER FLANGE		1		
F08	194305-9	LOCK NUT RELEASE SOCKET 35 SET		1		
F13	197476-1	DUST COVER ATTACHMENT SET		1		
F45	191X44-6	180MM DUST COLLECT COVER K SET		1		

Please state Parts No. when your order.

Print Date 09/07/2024