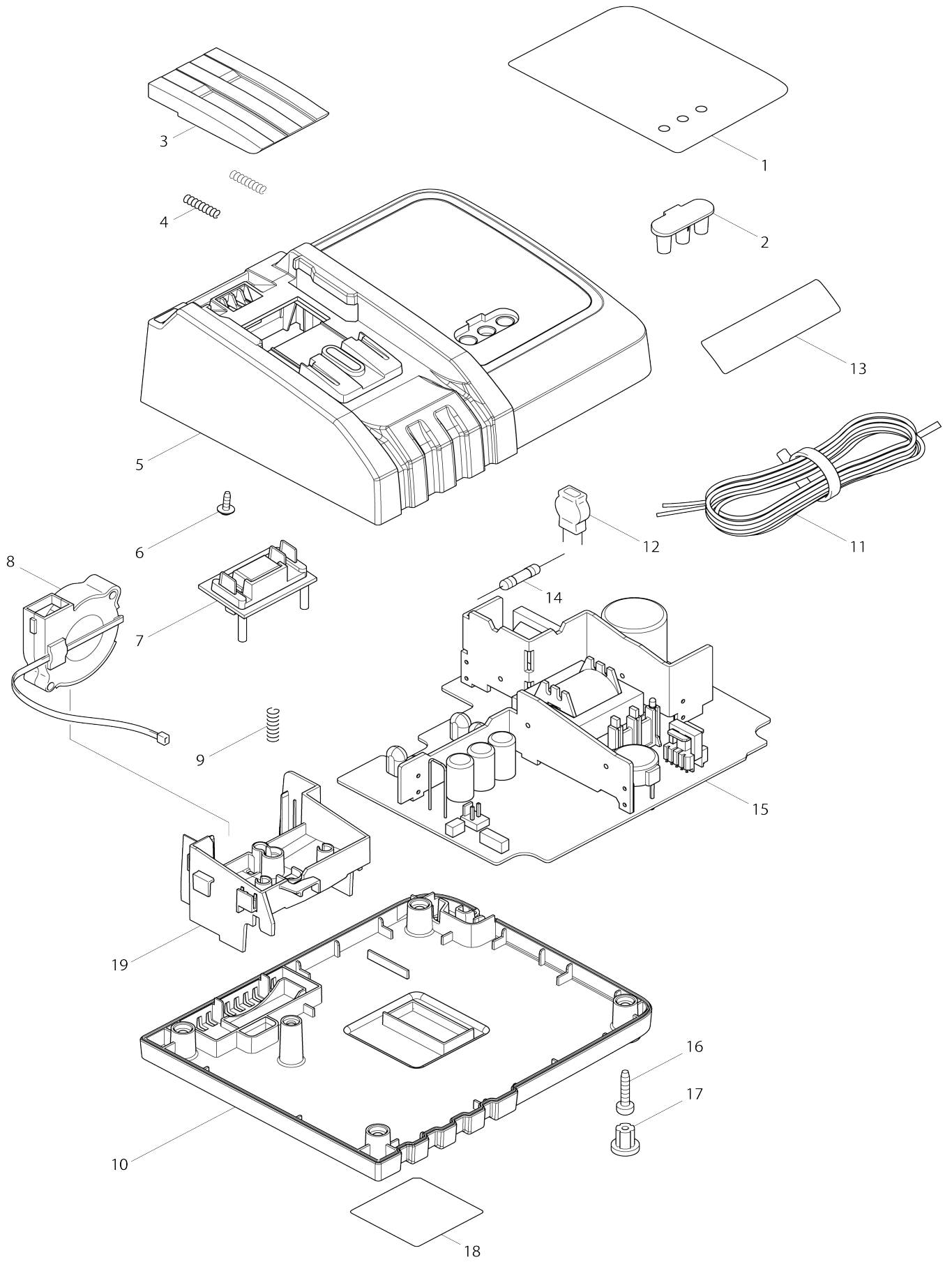


# Model No.DC18RC CHARGER



# Model No.DC18RC CHARGER

Item No.	Parts No.	Description	Interchangeability	Q'ty	New/Old	Note1	Note2
001	892752-5	CHARGING CONDITION LABEL		1	*		
001-1	810V46-8	CHARGING CONDITION LABEL	O	1			
002	452661-6	LENZ		1			
002A_	452862-6	LENS		1			
003	419569-7	TERMINAL COVER		1	*		
003-1	455546-5	TERMINAL COVER	<	1			
004	231474-6	COMPRESSION SPRING 4		2			
005	140824-3	CHARGER CASE COMPLETE		1			
D10		INC. 2					
005A_	140977-8	CHARGER CASE COMPLETE		1			
D10		INC. 2A					
006	266278-7	TAPPING SCREW FLANGE BT3X10		1			
007	638847-8	TERMINAL UNIT		1	*		
007-1	638847-8	TERMINAL UNIT	O	1			
007A_	638987-2	TERMINAL UNIT		1			
008	638499-5	SCIROCCO FAN		1			
009	233194-8	COMPRESSION SPRING 4		1			
010	452659-3	CHARGER CASE COVER		1			
010A_	452860-0	CHARGER CASE COVER		1			
011	667985-9	VINYL CORD 0.75-2-2.0		1			
011A_	667884-5	POWER SUPPLY CORD		1	*		
011A1	667985-9	VINYL CORD 0.75-2-2.0	<	1			
012	647306-1	VARISTOR		1			
014	652797-3	FUSE		1			
014A_	652800-0	FUSE		1			
015	620067-8	CHARGING CIRCUIT		1			
D10		INC. 12,14					
015A_	620120-0	CHARGING CIRCUIT		1			
D10		INC. 12,14A					
016	266346-6	TAPPING SCREW BT 4X20		5	*		
016-1	266346-6	TAPPING SCREW BT 4X20	O	4	*		
016-2	265B01-9	TAPPING SCREW PT 4X20	<	4			
016A_	266426-8	TAPPING SCREW 4X20		4			
017	286255-3	CAP 13		4			
018	869949-1	DC18RC NAME PLATE		1	*		
018-1	869949-1	DC18RC NAME PLATE	O	1			
019	452660-8	TERMINAL BASE		1			
019A_	452861-8	TERMINAL BASE		1			
020	266346-6	TAPPING SCREW BT 4X20		1	*		
020-1	265B01-9	TAPPING SCREW PT 4X20	<	1			
020A_	266764-8	TAPPING SCREW 3X8		3			
F04	195584-2	DC18RC FAST CHARGER SET		1			
F05	195585-0	DC18RC FAST CHARGER		1			
A01	450128-8	BATTERY COVER		2			
A02	196388-5	BATTERY BL1440 SET		2	*		
A02-1	196388-5	BATTERY BL1440 SET	O	2			
A02	196460-3	BATTERY BL1820 SET		2			

A02	196399-0	BATTERY BL1840 SET		2	*		
A02-1	197265-4	BATTERY BL1840B SET	<	2	*		
A02-2	197265-4	BATTERY BL1840B SET	O	2			
F01	197490-7	DC18RC FAST CHARGER SET		1			
A02	197422-4	BATTERY BL1860B SET		2	*		
A02-1	197422-4	BATTERY BL1860B SET	O	2			
F01	199480-6	DC18RC FAST CHARGER SET		1			
A02	197600-6	BATTERY BL1830B SET		1	*		
A02-1	197600-6	BATTERY BL1830B SET	O	1			
F01	191A24-4	DC18RC FAST CHARGER SET		1			

Please state Parts No. when your order.

Print Date 05/24/2024