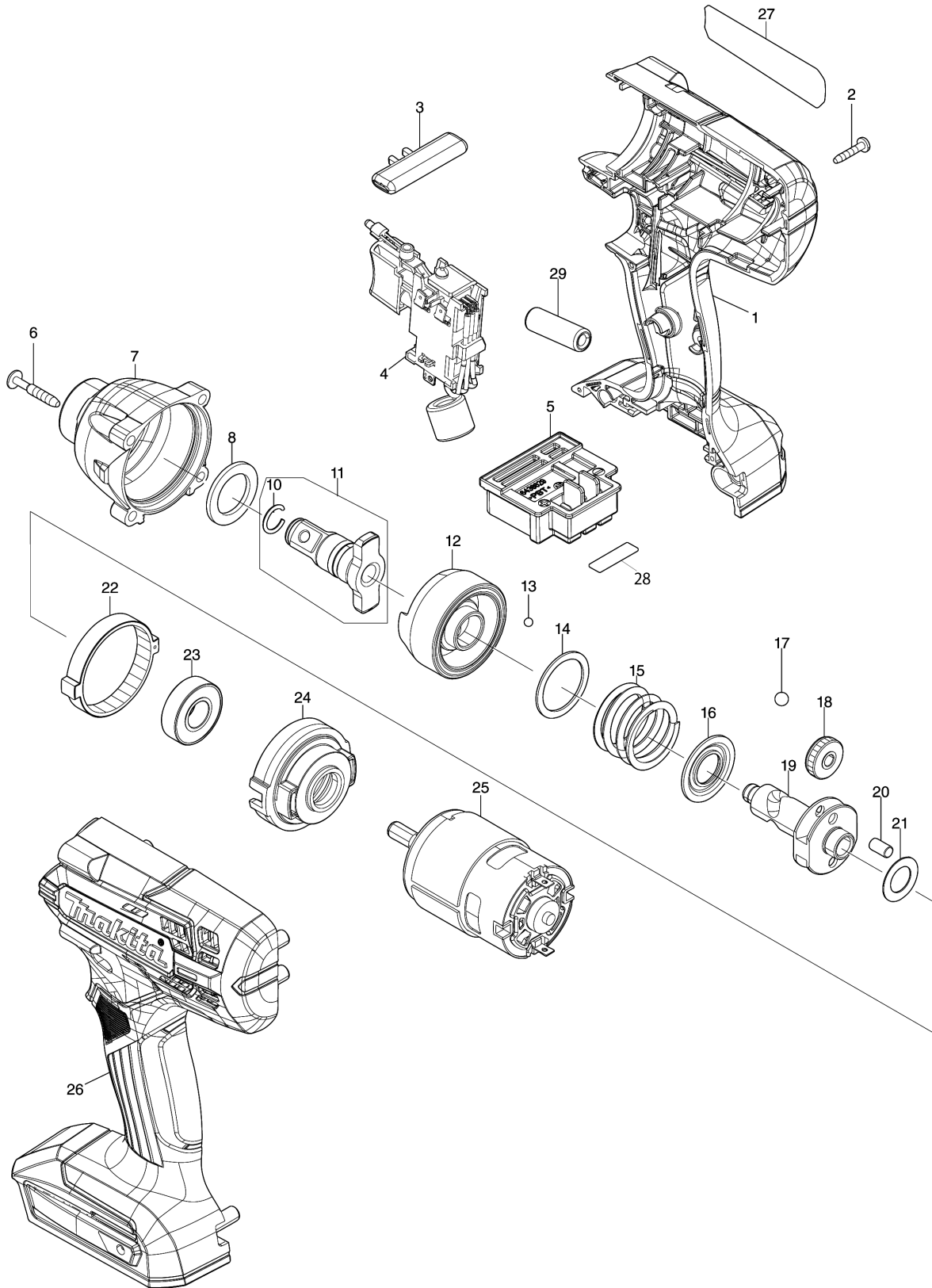


Model No.TW202D CORDLESS IMPACT WRENCH



Model No.TW202D CORDLESS IMPACT WRENCH

Item	Parts No.	Description	I/C	Qty	New/Old	Opt. 1	Opt. 2	Note
001	183X47-4	HOUSING SET		1				
C10	252126-6	HEX. LOCK NUT M4-7		2				
D10		INC. 26						
002	266429-2	TAPPING SCREW 3X16		8				
003	452399-3	F/R CHANGE LEVER		1				
004	632U40-2	SWITCH UNIT		1				
005	643862-9	TERMINAL		1				
006	266374-1	TAPPING SCREW 4X25		4				
007	141M84-8	HAMMER CASE COMPLETE		1				
008	261151-6	NYLON WASHER 19		1				
010	231907-1	RING SPRING 10		1				
011	135796-5	ANVIL E ASSEMBLY		1				
D10		INC. 10						
012	326110-8	HAMMER		1				
013	216040-0	STEEL BALL 3.5		24				
014	267175-0	FLAT WASHER 24		1				
015	233430-2	COMPRESSION SPRING 24		1				
016	267766-7	CUP WASHER 14		1				
017	216041-8	STEEL BALL 5.6		2				
018	227362-3	SPUR GEAR 22		2				
019	326109-3	SPINDLE		1				
020	256253-1	PIN 5		2				
021	267212-0	FLAT WASHER 12		1				
022	227279-0	INTERNAL GEAR 51		1				
023	210107-6	BALL BEARING 6001ZZ		1				
024	453056-6	INTERNAL GEAR CASE		1				
025	629199-8	DC MOTOR		1				
026	183X47-4	HOUSING SET		1				
C10	252126-6	HEX. LOCK NUT M4-7		2				
D10		INC. 1						
027	8586M3-3	TW202D NAME PLATE		1				
028	8586M7-5	TW202D SERIAL NO. LABEL		1				
029	688165-4	LINE FILTER		1				
A01B	161464-4	SHOULDER STRAP		1				
A02B	197940-2	TOOL HANGER SET		1				
C10	266622-8	+ TRUSS HEAD SCREW M4X12		2				
A03B	452652-7	BATTERY COVER		1				
A04B	191N69-0	BATTERY BL1820G SET		2				
A05B	***DC18WB	DC18WB BATTERY CHARGER		1				
D10		COMPO-PARTS						
A06B	821909-1	PLASTIC CARRYING CASE		1				
C10	455522-9	SLIDE LATCH		2				
D01	638A85-8	LEAD UNIT		1				
F01	195779-7	HOOK SET		1				

Please order the parts with part number.

Print Date 27/10/2023