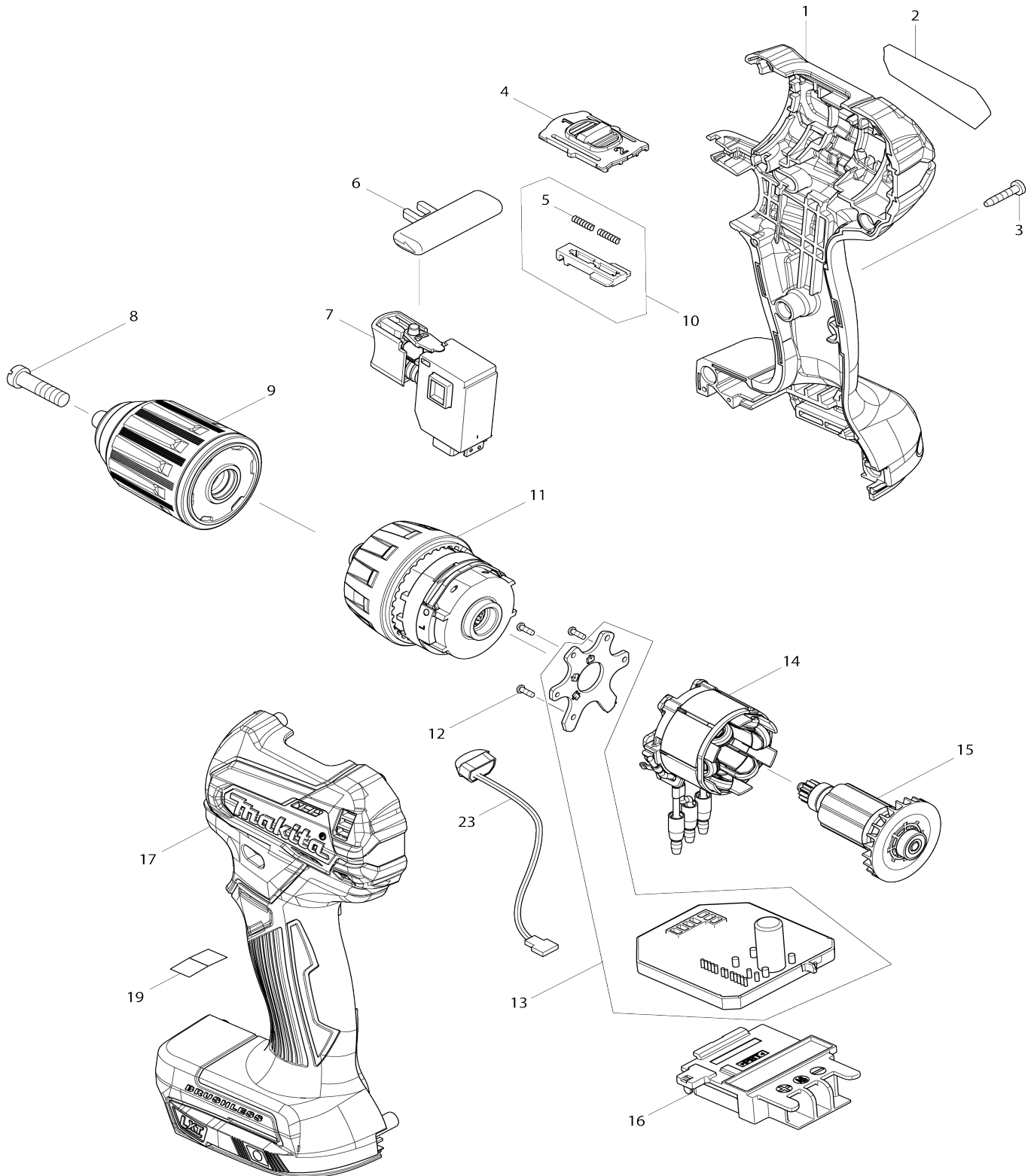


Model No.DDF483 CORDLESS DRIVER DRILL



Model No.DDF483 CORDLESS DRIVER DRILL

Item No.	Parts No.	Description	Interchangability	Q'ty	New/Old	Note1	Note2
001	183E19-5	HOUSING SET		1			
C10	263005-3	RUBBER PIN 6		2			
C20	252126-6	HEX. LOCK NUT M4-7		2			
D10		INC. 17					
002	852L71-3	DDF483 NAME PLATE		1			
003	266429-2	TAPPING SCREW 3X16		8	*		
003-1	266130-9	TAPPING SCREW BIND PT 3X16	O	8			
004	457020-9	SPEED CHANGE LEVER		1	*		
004-1	458382-8	SPEED CHANGE LEVER	<	1			
005	233025-1	COMPRESSION SPRING 2		2			
006	419041-9	F/R CHANGE LEVER		1			
007	650689-0	SWITCH C3JW-2B		1			
008	251468-5	- FLAT HEAD SCREW M6X22		1			
009	763241-6	KEYLESS DRILL CHUCK 13		1			
010	123587-6	CHANGE LEVER ASS'Y		1			
D10		INC. 5					
011	123868-8	GEAR ASSEMBLY		1	*		
011-1	123868-8	GEAR ASSEMBLY	O	1			
012	266490-9	TAPPING SCREW PT 2X6		3	*		
012-1	265C47-1	TAPPING SCREW PT 2X6	O	3			
013	620555-5	CONTROLLER		1			
014	629228-7	STATOR		1			
015	619410-6	ROTOR		1	*		
015-1	619410-6	ROTOR	O	1			
016	643874-2	TERMINAL		1			
017	183E19-5	HOUSING SET		1			
C10	263005-3	RUBBER PIN 6		2			
C20	252126-6	HEX. LOCK NUT M4-7		2			
D10		INC. 1					
023	620549-0	LED CIRCUIT		1			
A01	251314-2	+ SCREW M4X12		1			
A02	346317-0	HOOK		1			
A03	784637-8	+/- BIT 2-45		1			
A04	821550-0	CONNECTOR PLASTIC CASE (TYPE2)		1			
C10	453974-8	LATCH		4			
A05	450128-8	BATTERY COVER		1			
A06	***DC18RC	DC18RC FAST CHARGER		1			
D10		COMPO-PARTS					
A07	197600-6	BATTERY BL1830B SET		2	*		
A07-1	197600-6	BATTERY BL1830B SET	O	2			
A08	837670-0	INNER TRAY		1			
A09	809Y85-1	DDF483RFJ INDICATION LABEL		1			
A10	809Y86-9	DDF483RFJ PLASTIC CASE LABEL		2	*		
A10-1	809Y87-7	DDF483RFJ PLASTIC CASE LABEL	O	2			
A04	141856-3	PLASTIC CARRYING CASE COMPLETE		1			
C10	162302-3	LATCH		2			

A07	197280-8	BATTERY BL1850B SET		2	*		
A07-1	197280-8	BATTERY BL1850B SET	O	2			
A02	346449-3	HOOK		1			
A07	197254-9	BATTERY BL1820B SET		2	*		
A07-1	197254-9	BATTERY BL1820B SET	O	2			
A09	816N78-5	DDF483RAJ INDICATION LABEL		1			
A10	816N79-3	DDF483RAJ PLASTIC CASE LABEL		2			
001	183G69-2	HOUSING SET		1			
017	183G69-2	HOUSING SET		1			
A09	8055W7-0	DDF483RTJB INDICATION LABEL		1			
A10-1	8055W8-8	DDF483RTJB PLASTIC CASE LABEL		2			

Please state Parts No. when your order.

Print Date 10/19/2023