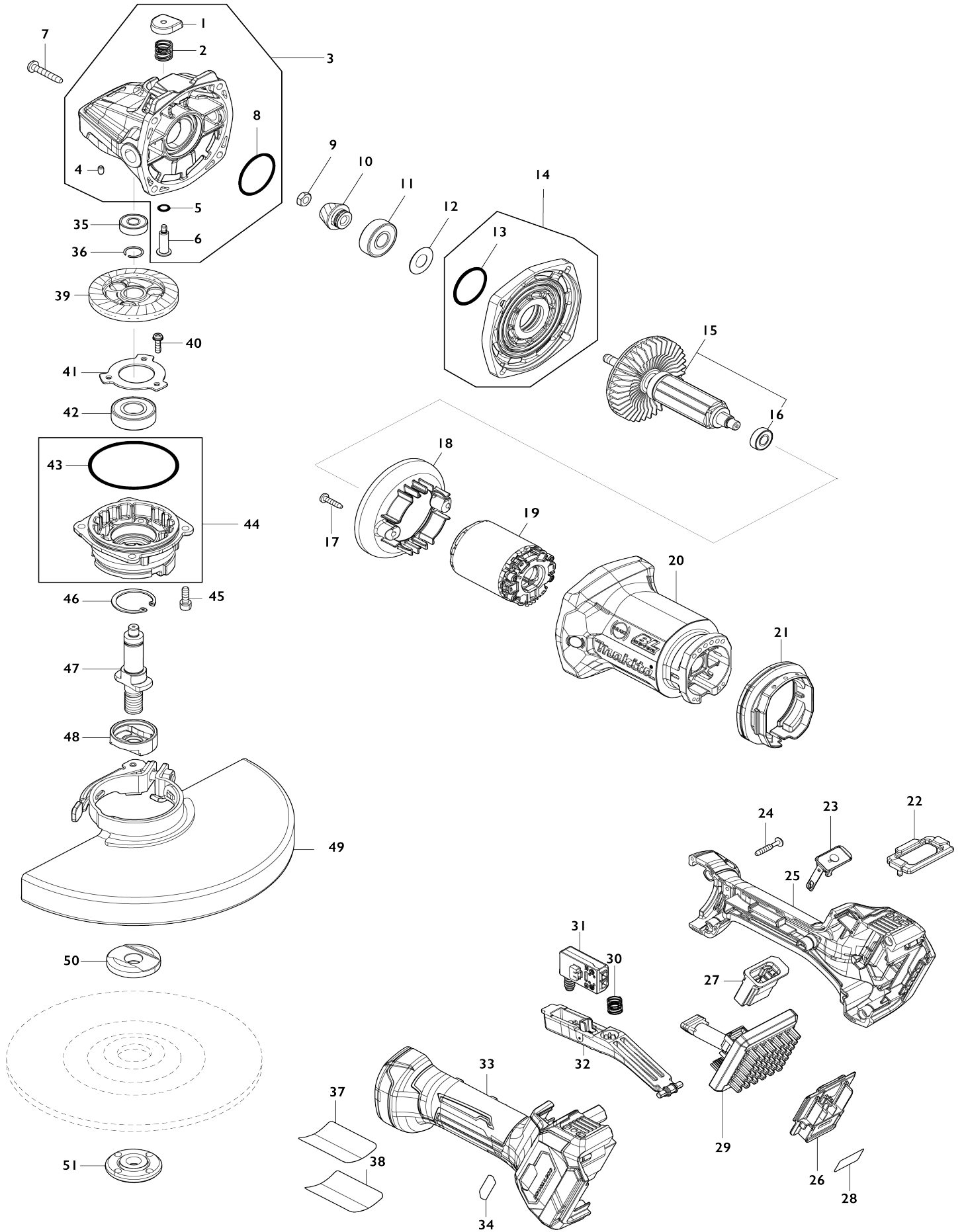


Model No.GA038G 230MM CORDLESS ANGLE GRINDER



Model No.GA038G 230MM CORDLESS ANGLE GRINDER

Item No.	Parts No.	Description	Interchangability	Q'ty	New/Old	Note1	Note2
001	413219-6	PIN CAP		1			
002	233292-8	COMPRESSION SPRING 12		1			
003	136365-5	GEAR HOUSING ASS'Y		1			
D10		INC. 1,2,4-6,8					
004	263002-9	RUBBER PIN 4		1			
005	213026-5	O RING 7		1			
006	256516-5	SHOULDER PIN 11		1			
007	266173-1	TAPPING SCREW 5X30		4			
008	213510-0	O RING 36		1			
009	264010-3	HEX.NUT M7		1			
010	227564-1	SPIRAL BEVEL GEAR 10A		1			
011	211137-0	BALL BEARING 6201LLU		1			
012	253759-0	FLAT WASHER 12		1			
013	213459-4	O RING 32		1			
014	136363-9	GEAR HOUSING COVER ASS'Y		1			
D10		INC. 13					
015	519436-7	ROTOR ASS'Y		1			
D10		INC. 16					
016	211166-3	BALL BEARING 698DDW		1			
017	266326-2	TAPPING SCREW 4X18		2			
018	457618-2	BAFFLE PLATE		1			
019	629A38-8	STATOR		1			
020	457615-8	MOTOR HOUSING		1			
021	457619-0	VIBRATION PROOF RUBBER		1			
022	422656-3	DUST COVER		1			
023	140F99-0	CAP COMPLETE		1			
C10	213218-6	O RING 16		1	*		
C11	213A05-9	O-RING16	O	1			
C20	818H07-8	CAP LABEL		1			
024	265999-8	TAPPING SCREW 4X25		5			
025	183R97-3	HANDLE SET		1			
C10	263005-3	RUBBER PIN 6		2			
D10		INC. 33					
026	632P49-4	TERMINAL UNIT		1			
027	413218-8	CONNECTOR CASE		1			
028	858B02-0	GA038G SERIAL NO. LABEL		1			
029	620E22-0	CONTROLLER		1			
030	234357-9	COMPRESSION SPRING 11		1			
031	651083-9	SWITCH C3XA-1PSPM		1			
032	140X49-3	SWITCH LEVER COMPLETE		1			
033	183R97-3	HANDLE SET		1			
C10	263005-3	RUBBER PIN 6		2			
D10		INC. 25					
034	8012U4-2	XGT LOGO LABEL		1			
035	210029-0	BALL BEARING 608ZZ		1			
036	233925-5	RING SPRING 13		1			
037	858A96-9	GA038G NAME PLATE		1			

038	8026G1-7	CLEAR LABEL		1	*		
039	227562-5	SPIRAL BEVEL GEAR 38		1			
040	911128-8	P.H.SCREW M4X16 WITH WR		3			
041	285851-4	BEARING RETAINER		1			
042	211241-5	BALL BEARING 6202DDW		1			
043	213720-9	O RING 67		1			
044	136364-7	BEARING BOX ASS'Y		1			
D10		INC. 43					
045	922221-3	HEX. SOCKET HEAD BOLT M5X16		4			
046	962151-6	RETAINING RING R-32		1			
047	326963-5	SPINDLE		1			
048	310800-3	LEAD FLANGE		1			
049	127714-7	TOOLLESS WHEEL COVER 230F A SSY		1	*		
049-1	141P45-6	TOOLLESS WHEEL COVER 230F C MP	<	1			
C10	8050A1-8	CAUTION LABEL		1			
050	224447-6	INNER FLANGE 42B		1			
051	224485-8	LOCK NUT 14-45		1			
A01	143486-6	GRIP 37 COMPLETE		1			
A02	782034-2	LOCK NUT WRENCH 35		1			
A10	122913-6	WHEEL COVER 230CK ASSEMBLY		1			
C10	213017-6	O RING 6		1	*		
C20	265198-2	+PAN HEAD SCREW M8X25		1			
F14	198678-2	INNER FLANGE 45CC SET		1			
F15-2	198900-7	WIRELESS UNIT SET	<	1	*		
F15-3	198900-7	WIRELESS UNIT SET	O	1			
F45	191X44-6	180MM DUST COLLECT COVER K SET		1			
A01	162264-5	VIBRATION PROOF GRIP		1			

Please state Parts No. when your order.

Print Date 09/07/2024