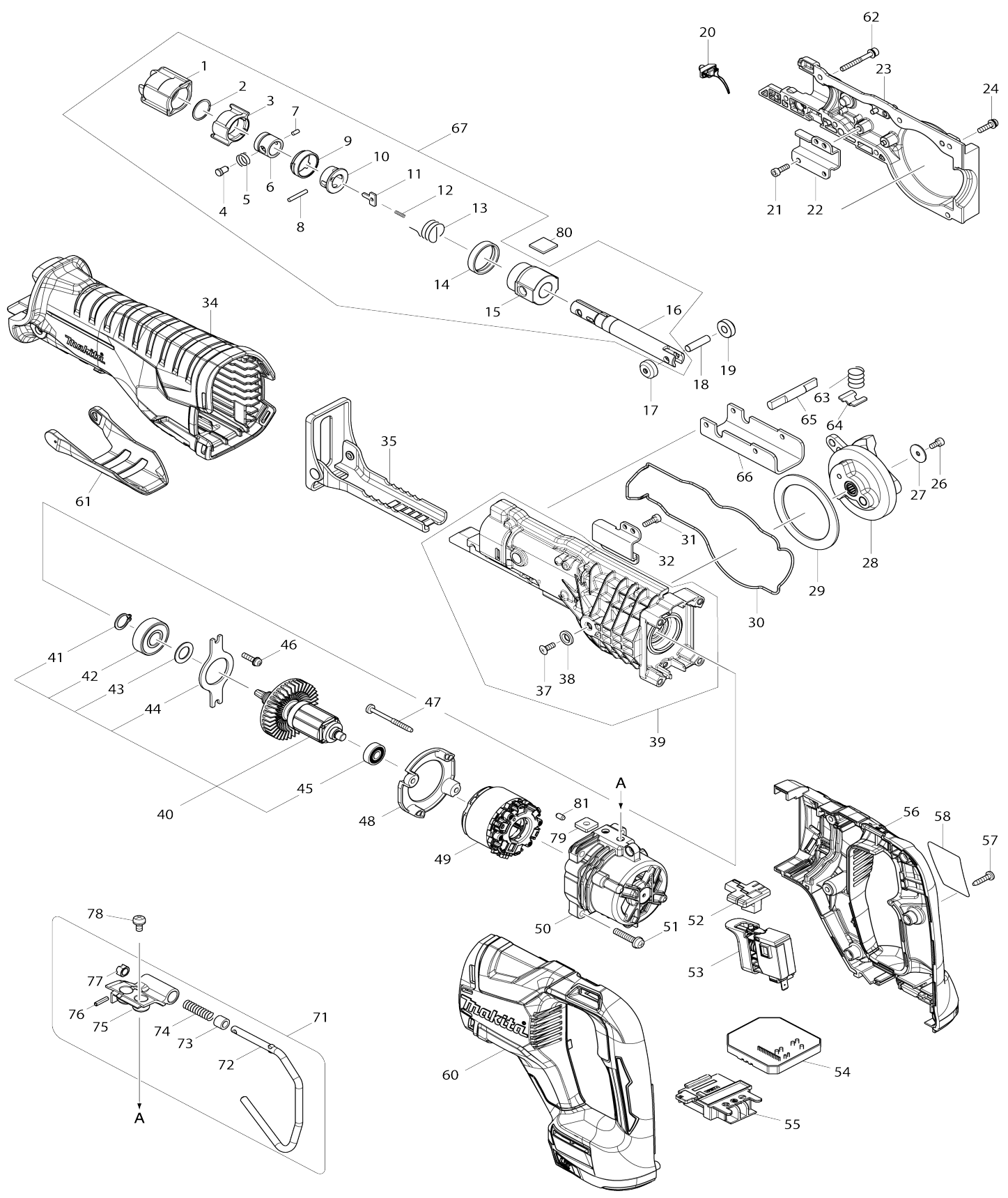


# Model No. DJR187 CORDLESS RECIPRO SAW



# Model No.DJR187 CORDLESS RECIPRO SAW

Item No.	Parts No.	Description	Interchangability	Q'ty	New/Old	Note1	Note2
001	424763-8	PROTECTOR		1			
002	257952-8	RETAINING RING (EXT) 18		1	*		
002-1	257430-8	RETAINING RING(EXT)18	S	1			
003	310662-9	DRIVING SLEEVE		1			
004	256569-4	SHOULDER PIN 5		1			
005	234381-2	COMPRESSION SPRING 6		1			
006	331720-8	GUIDE SLEEVE		1	*		
006-1	327043-0	GUIDE SLEEVE	S	1			
007	268094-3	PIN 3		1			
008	256158-5	PIN 3		1			
009	417791-0	DRIVING SLEEVE GUIDE		1			
010	418311-3	SLEEVE		1			
011	345214-7	PUSH PLATE		1			
012	233025-1	COMPRESSION SPRING 2		1			
013	231687-9	TORSION SPRING 17		1			
014	424762-0	RUBBER RING		1			
015	143365-8	SLIDER GUIDE COMPLETE		1			
C10	213151-2	OIL SEAL 14		1			
C20	213174-0	X RING 14		1			
016	161376-1	SLIDER		1			
017	310663-7	ROLLER		1			
018	268341-2	PIN 6		1			
019	310663-7	ROLLER		1			
020	620434-7	LED CIRCUIT		1			
021	922117-8	HEX. SOCKET HEAD BOLT M4X12		2	*		
021-1	265353-6	HEX. SOCKET HEAD BOLT M4X12	<	2			
022	346936-2	ROD GUIDE R		1			
023	143362-4	GEAR HOUSING R COMPLETE		1			
024	911128-8	P.H.SCREW M4X16 WITH WR		5			
026	922107-1	HEX. SOCKET HEAD BOLT M4X8		1	*		
026-1	265911-8	HEX. SOCKET HEAD BOLT M4X8	<	1			
027	267491-0	FLAT WASHER 4		1			
028	143359-3	GEAR COMPLETE		1	*		
028-1	140D35-4	GEAR COMPLETE	S	1			
029	267490-2	FLAT WASHER 54		1			
030	424764-6	SEAL RING		1			
031	922117-8	HEX. SOCKET HEAD BOLT M4X12		2	*		
031-1	265353-6	HEX. SOCKET HEAD BOLT M4X12	<	2			
032	346935-4	ROD GUIDE L		1			
034	424765-4	INSULATION COVER		1			
035	161425-4	SHOE		1	*		
035-1	161811-9	SHOE	<	1	*		
035-2	161809-6	SHOE	O	1			
037	912112-6	COUNTERSUNK HEAD SCREW M4 X10		1	*		
037-1	265135-6	+ COUNTERSUNK HEAD SCREW M4X10	<	1			
038	253825-3	FLAT WASHER 6		1			

039	123509-6	GEAR HOUSING L ASSEMBLY		1	*		
039		INC. 37,38			*		
039-1	126677-4	GEAR HOUSING L ASSEMBLY	<	1	*		
039-1		INC. 37,38			*		
039-2	127462-8	GEAR HOUSING L ASSEMBLY	<	1			
039-2		INC. 37,38					
040	519391-3	ROTOR ASS'Y		1	*		
040		INC. 41-45			*		
040-1	519418-9	ROTOR ASS'Y	O	1	*		
040-1		INC. 41-45			*		
040-1 G	519418-9	ROTOR ASS'Y		1	*		
040-1 G		INC. 41-45			*		
040-2	519529-0	ROTOR ASS'Y	S	1			
040-2		INC. 41-45					
041	961052-5	RETAINING RING (EXT) S-12		1			
042	210118-1	BALL BEARING 6201DDW		1	*		
042-1	210337-9	BALL BEARING 6201DDW	O	1			
043	253744-3	FLAT WASHER 12		1			
044	285740-3	BEARING RETAINER 66		1			
045	210062-2	BALL BEARING 607ZZ		1			
046	911128-8	P.H.SCREW M4X16 WITH WR		2			
047	266069-6	TAPPING SCREW 4X45		2	*		
047-1	266425-0	TAPPING SCREW 4X45	O	2	*		
047-1	266425-0	TAPPING SCREW 4X45	O	2			
047-2	265E68-5	TAPPING SCREW 4X45	O	2			
048	456178-1	BAFFLE PLATE		1			
049	629179-4	STATOR		1	*		
049-1	629B61-9	STATOR	S	1			
050	456179-9	MOTOR HOUSING		1	*		
050-1	412476-3	MOTOR HOUSING	O	1			
051	911243-8	PAN HEAD SCREW M5X25		4			
052	456177-3	CHANGE BUTTON		1			
053	650759-5	SWITCH C3JW-6B-2		1			
054	620432-1	CONTROLLER A		1	*		
054-1	620812-1	CONTROLLER A	<	1			
055	643899-6	TERMINAL		1	*		
055-1	643874-2	TERMINAL	S	1			
056	183C47-8	HANDLE SET		1	*		
C10	263005-3	RUBBER PIN 6		2	*		
056		INC. 60			*		
056-1	183D21-2	HANDLE SET	S	1	*		
C10	263005-3	RUBBER PIN 6		2	*		
056-1		INC. 60			*		
056-2	183K23-0	HANDLE SET	<	1	*		
C10	263005-3	RUBBER PIN 6		4	*		
056-2		INC. 60			*		
056-3	1830K1-1	HANDLE SET	<	1			
C10	263005-3	RUBBER PIN 6		4			
056-3		INC. 60					
057	266326-2	TAPPING SCREW 4X18		6	*		

057	266326-2	TAPPING SCREW 4X18		6		
057-1	265B67-9	TAPPING SCREW 4X18	O	6		
058	851P12-0	DJR187 NAME PLATE		1		
060	183C47-8	HANDLE SET		1	*	
C10	263005-3	RUBBER PIN 6		2	*	
060		INC. 56			*	
060-1	183D21-2	HANDLE SET	S	1	*	
C10	263005-3	RUBBER PIN 6		2	*	
060-1		INC. 56			*	
060-2	183K23-0	HANDLE SET	<	1	*	
C10	263005-3	RUBBER PIN 6		4	*	
060-2		INC. 56			*	
060-3	1830K1-1	HANDLE SET	<	1		
C10	263005-3	RUBBER PIN 6		4		
060-3		INC. 56				
061	456176-5	LOCK LEVER		1		
062	266979-7	HEX.SOCKET HEAD BOLT M4X35 WR		2		
063	231231-2	COMPRESSION SPRING 12		1		
064	346938-8	SHOE LOCK PLATE		1		
065	326599-0	LOCK PIN		1		
066	346937-0	SHOE GUIDE PLATE		1		
067	123510-1	SLIDER ASSEMBLY		1	*	
067		INC. 1-16			*	
067-1	127397-3	SLIDER ASSEMBLY	<	1		
067-1		INC. 1-16				
071	123455-3	HOOK ASSEMBLY		1		
071		INC. 72-77				
072	281223-1	HOOK		1		
073	262561-0	SLEEVE 6		1		
074	233455-6	COMPRESSION SPRING 7		1		
075	319344-0	JOINT		1		
076	951057-3	SPRING PIN 3-12		1		
077	310661-1	LOCK SLEEVE		1		
078	911206-4	PAN HEAD SCREW M5X10		2		
079	264002-2	SQUARE NUT M5		2		
080	424858-7	FELT 16X16		1		
081	263002-9	RUBBER PIN 4		1		
082	620K37-3	CONTROLLER B	S	1		
083	638A31-1	LEAD UNIT	S	1		
084	652119-7	PAN HEAD SCREW M2X6	S	6		
A01	B-05169	RECIPROSAWBLADE FOR METAL		1		
A02	B-05175	RECIPROSAWBLADE FOR WOOD		1		
A03	821620-5	PLASTIC CARRYING CASE		1		
C10	162271-8	LATCH		2		
A04B	807X18-4	DJR187Y1K PLASTIC CASE LABEL		2		
A04C	807X19-2	DJR187RME PLASTIC CASE LABEL		2		
A04D	807X24-9	DJR187RT PLASTIC CASE LABEL		2	*	
A04E	807X25-7	DJR187RTE PLASTIC CASE LABEL		2		
A04F	807X10-0	DJR187RFE PLASTIC CASE LABEL		2		
A04G	807X15-0	DJR187ZK PLASTIC CASE LABEL		2	*	
A04-1	8023D0-0	DJR187RT PLASTIC CASE LABEL	O	2		

D							
A04-1 G	8023C8-7	DJR187ZK PLASTIC CASE LABEL	O	2			
A05B	196235-0	BATTERY BL1815N SET		1			
A05	450128-8	BATTERY COVER		1			
A06	***DC18RC	DC18RC FAST CHARGER		1			
A06		COMPO-PARTS					
A07C	197265-4	BATTERY BL1840B SET		2	*		
A07	197280-8	BATTERY BL1850B SET		2	*		
A07F	194204-5	BATTERY BL1830 SET		2	*		
A07-1 C	197265-4	BATTERY BL1840B SET	O	2			
A07-1	197280-8	BATTERY BL1850B SET	O	2			
A07-1 F	197600-6	BATTERY BL1830B SET	<	2	*		
A07-2 F	197600-6	BATTERY BL1830B SET	O	2			

Please state Parts No. when your order.

Print Date 03/03/2025