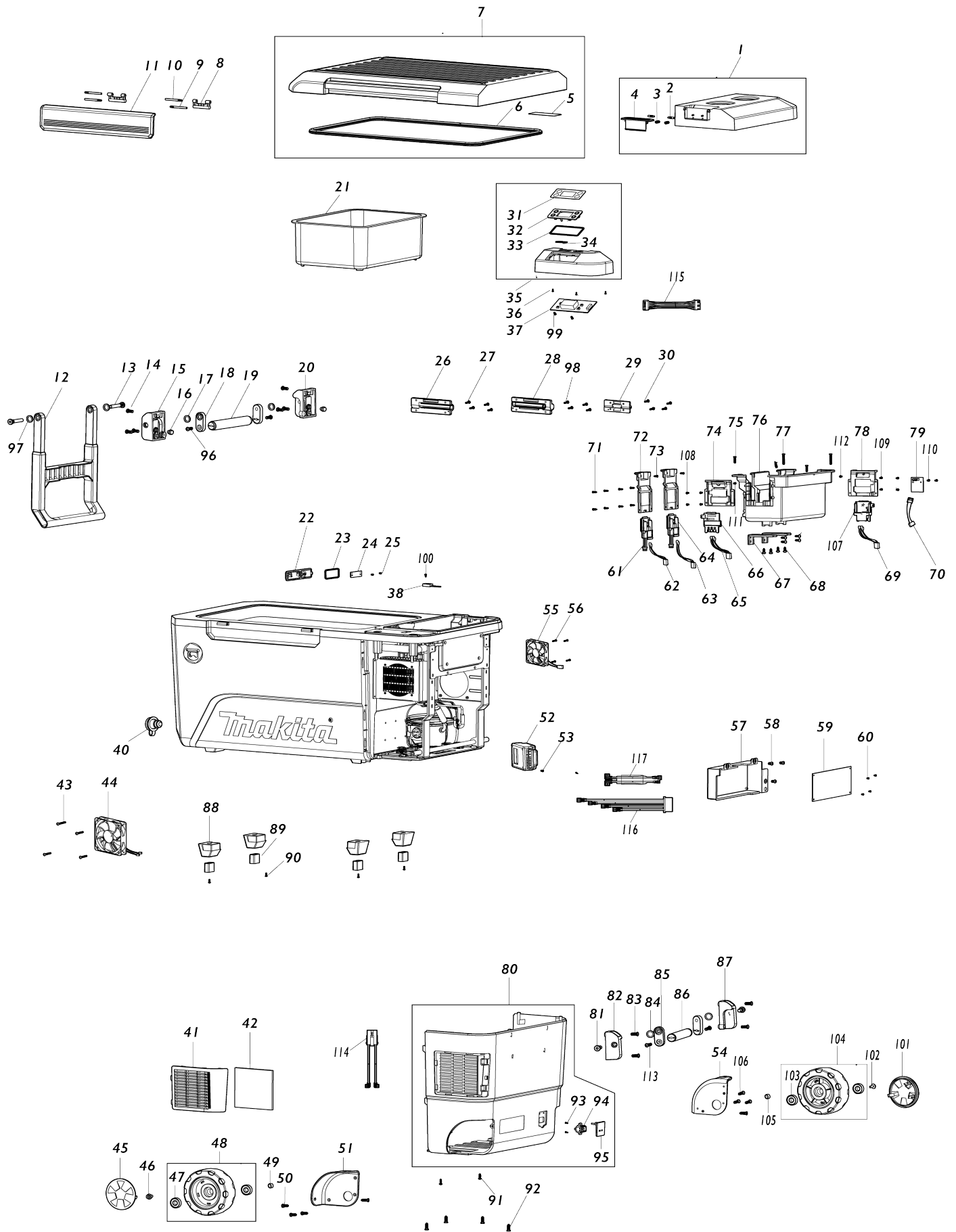


# Model No.CW002G CORDLESS COOLER & WARMER BOX



Model No.CW002G CORDLESS COOLER & WARMER BOX

Item No.	Parts No.	Description	Interchangability	Q'ty	New/Old	Note1	Note2
001	WL00000237	BATTERY COVER ASSY		1			
D10		INC. 2-4					
002	WL00000090	SHAFT		2			
003	WL00000010	COMPRESSION SPRING 5MM		2			
004	WL00000238	HANDLE		1			
005	WL00000315	CAUTION LABEL		1			
006	WL00000240	SEALING		1			
007	WL00000316	TOP COVER ASSY		1			
D10		INC. 5,6					
008	WL00000242	CONNECTOR		2			
009	WL00000243	SHAFT		2			
010	WL00000244	SHAFT		2			
011	WL00000245	HANDLE		1			
012	WL00000246	DRAG HANDLE		1			
013	WL00000247	DRAG HANDLE SHAFT		2			
014	WL00000248	SCREW M6X16		4	*		
014-1	WL00000248	SCREW M6X16	O	6			
015	WL00000249	HANDLE BASE L		1			
016	WL00000250	SILICONE		2			
017	WL00000251	SILICONE RING		2			
018	WL00000252	CONNECTOR		2			
019	WL00000253	CARRY HANDLE ASSY		1			
020	WL00000254	HANDLE BASE R		1			
021	WL00000255	SEPARATE BOX		1			
022	WL00000018	THERMOSTAT TOP COVER		1			
023	WL00000019	SEALING C		1			
024	WL00000192	LIGHT BOARD ASSY		1			
025	WL00000017	TAPPING SCREW 3X8		2			
026	WL00000256	HINGE L		1			
027	WL00000257	SCREW 5X25		4			
028	WL00000258	HINGE R		1			
029	WL00000259	HINGE		1			
030	WL00000023	TAPPING SCREW 4X16		4			
031	WL00000072	CONTROL FILM B		1			
032	WL00000093	SWITCH PANEL		1			
033	WL00000013	SEALING B		1			
034	WL00000094	XGT LABEL		1			
035	WL00000330	CONTROL PANEL ASSY		1			
D10		INC. 31-34					
036	WL00000015	TAPPING SCREW 3X10		3			
037	WL00000261	DISPLAY PCB		1			
038	WL00000262	MEGNATIC SWITCH		1			
040	WL00000300	DRAIN COOK		1			
041	WL00000263	DUST PROOF COVER(BLUE)		1			
042	WL00000051	FILTER SPONGE		1			
043	WL00000104	SCREWS M4X30		4			
044	WL00000264	FAN		1			

045	WL00000265	WHEEL COVER		1		
046	WL00000032	SCREW M6X16 WITH WASHER		1		
047	WL00000034	BEARING FOR SHAFT		2		
048	WL00000266	WHEEL ASSY		1		
D10		INC. 47				
049	WL00000035	SHAFT SLEEVE 12MM		1	*	
049-1	WL00000433	SHAFT SLEEVE 12MM	O	1		
050	WL00000052	COUNTERSUNK TAPPING SCREW 4X18		4		
051	WL00000267	LEFT WHEEL COVER(BLUE)		1		
052	WL00000268	COMPRESSOR PCB		1		
053	WL00000269	SCREW M4X8		1		
054	WL00000270	RIGHT WHEEL COVER(BLUE)		1		
055	WL00000103	FAN A WITH CABLE		1	*	
055-1	WL00000103	FAN A WITH CABLE	O	1	*	
055-2	WL00000432	FAN A WITH CABLE	O	1		
056	WL00000104	SCREWS M4X30		4		
057	WL00000271	PCB BOX		1		
058	WL00000205	PAN HEAD SCREWS M4X10		3		
059	WL00000272	MAIN PCB		1		
060	WL00000015	TAPPING SCREW 3X10		4		
061	WL00000273	BATTERY TERMINAL		1		
062	WL00000274	LEAD UNIT A		1		
063	WL00000275	LEAD UNIT B		1		
064	WL00000276	BATTERY TERMINAL		1		
065	WL00000277	LEAD UNIT C		1		
066	WL00000099	BATTERY TERMINAL		1		
067	WL00000278	BATTERY BOX BRACKET		2	*	
067-1	WL00000434	BATTERY BOX BRACKET	O	2		
068	WL00000044	TAPPING SCREW 4X12		8		
069	WL00000279	LEAD UNIT D		1		
070	WL00000280	LEAD UNIT USB		1		
071	WL00000015	TAPPING SCREW 3X10		8		
072	WL00000281	BATTERY TERMINAL COVER		2		
073	WL00000098	SCREWS ST3X8		2		
074	WL00000282	BATTERY TERMINAL COVER		1		
075	WL00000052	COUNTERSUNK TAPPING SCREW 4X18		3		
076	WL00000283	BATTERY BOX		1		
077	WL00000284	SCREW ST 4X30		2		
078	WL00000101	BATTERY TERMINAL COVER		1		
079	WL00000285	USB PCB		1		
080	WL00000286	REAR COVER ASSY(BLUE)		1		
D10		INC. 93-95				
081	WL00000287	SHAFT		2		
082	WL00000288	HANDLE BASE L		1		
083	WL00000248	SCREW M6X16		4		
084	WL00000251	SILICONE RING		2		
085	WL00000252	CONNECTOR		2		
086	WL00000253	CARRY HANDLE ASSY		1		
087	WL00000289	HANDLE BASE R		1		
088	WL00000290	SILICONE FOOT		4		

089	WL00000291	FOOT PAD		4		
090	WL00000023	TAPPING SCREW 4X16		4		
091	WL00000023	TAPPING SCREW 4X16		2		
092	WL00000052	COUNTERSUNK TAPPING SCREW 4X18		4		
093	WL00000098	SCREWS ST3X8		2		
094	WL00000292	DC IN SOCKET		1		
095	WL00000293	DC IN COVER		1		
096	WL00000248	SCREW M6X16		2		
097	WL00000251	SILICONE RING		2		
098	WL00000257	SCREW 5X25		4		
099	WL00000015	TAPPING SCREW 3X10		2		
100	WL00000015	TAPPING SCREW 3X10		1		
101	WL00000265	WHEEL COVER		1		
102	WL00000032	SCREW M6X16 WITH WASHER		1		
103	WL00000034	BEARING FOR SHAFT		2		
104	WL00000266	WHEEL ASSY		1		
D10		INC. 103				
105	WL00000035	SHAFT SLEEVE 12MM		1	*	
105-1	WL00000433	SHAFT SLEEVE 12MM	O	1		
106	WL00000052	COUNTERSUNK TAPPING SCREW 4X18		4		
107	WL00000099	BATTERY TERMINAL		1		
108	WL00000015	TAPPING SCREW 3X10		4		
109	WL00000015	TAPPING SCREW 3X10		4		
110	WL00000015	TAPPING SCREW 3X10		2		
111	WL00000098	SCREWS ST3X8		1		
112	WL00000098	SCREWS ST3X8		1		
113	WL00000248	SCREW M6X16		2		
114	WL00000234	POWER CONNECTION WIRE		1		
115	WL00000235	DISPLAY PCB WIRE		1		
116	WL00000236	COMPRESSOR PCB WIRE		1		
117	WL00000175	COMPRESSOR INPUT WIRE		1		
A02	WL00000225	CIGAR LIGTER		1		
C10	WL00000056	FUSE		1		
F01	WL00000313	AC ADAPTOR SET A		1		
C10	WL00000063	AC POWER CORD		1		

Please state Parts No. when your order.

Print Date 12/04/2023