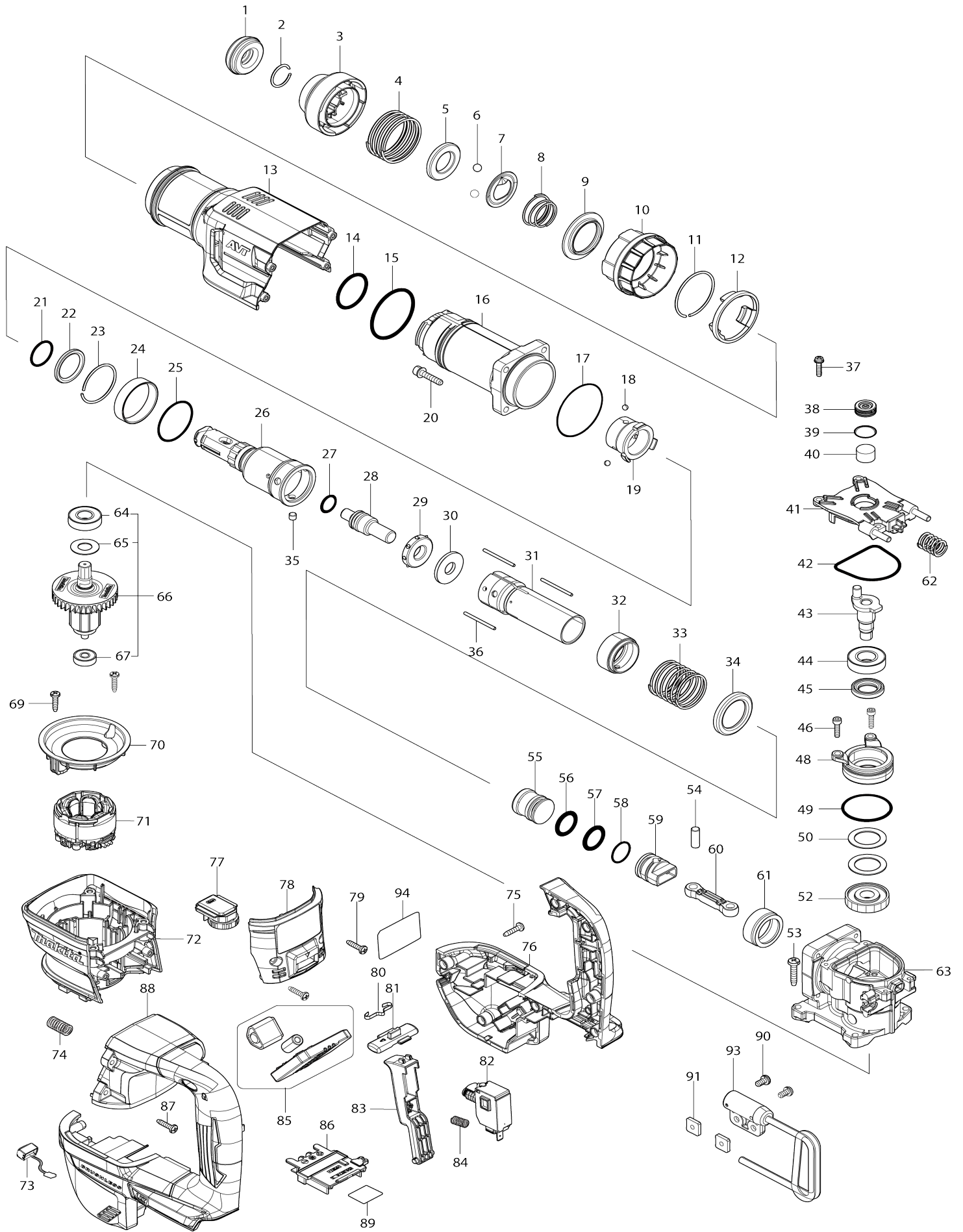


Model No.DHK180 CORDLESS POWER SCRAPER



Model No.DHK180 CORDLESS POWER SCRAPER

Item No.	Parts No.	Description	Interchangability	Q'ty	New/Old	Note1	Note2
001	286283-8	CAP 38		1			
002	233966-1	RING SPRING 19		1			
003	450275-5	CHUCK COVER		1			
004	234039-3	COMPRESSION SPRING 42		1			
005	257288-5	RING 21		1			
006	216022-2	STEEL BALL 7.0		2			
007	345873-7	GUIDE WASHER		1			
008	233916-6	CONICAL COMP. SPRING 21-29		1			
009	345874-5	STEEL BALL GUIDE		1			
010	450274-7	CHANGE RING		1			
011	231985-1	RING SPRING 43		1			
012	459752-4	SUPPORT RING		1			
013	459748-5	HOUSING COVER		1			
014	213465-9	O RING 31		1			
015	213617-2	O RING 47		1			
016	319988-6	BARREL		1			
017	213606-7	O RING 48		1			
018	216002-8	STEEL BALL 4.8		3			
019	331796-5	RING 25		1			
020	922243-3	HEX. SOCKET HEAD BOLT M5X25		4			
021	213008-7	O RING 22.4		1			
022	262142-0	URETHAN RING 26		1			
023	233956-4	RING SPRING 37		1			
024	257296-6	RING 39		1			
025	213142-3	O-RING 35		1			
026	324837-4	TOOL HOLDER		1			
027	213128-7	O RING 12		1			
028	324844-7	IMPACT BOLT		1			
029	424065-2	RUBBER RING 13		1			
030	267363-9	FLAT WASHER 12		1			
031	326814-2	CYLINDER		1			
032	326813-4	RING 29		1			
033	234041-6	COMPRESSION SPRING 32		1			
034	345872-9	CUP WASHER 29		1			
035	268226-2	PIN 6		3			
036	256862-6	ROD 2.5		3			
037	911133-5	PAN HEAD SCREW M4X18		4			
038	419988-7	FILTER CAP		1			
039	213218-6	O RING 16		1			
040	443129-3	FILTER		1			
041	459746-9	CRANK CAP		1			
042	424067-8	SEAL RING		1			
043	324845-5	CRANK SHAFT		1			
044	211232-6	BALL BEARING 6002LLU		1			
045	213219-4	OIL SEAL 15		1			
046	265490-6	HEX. SOCKET HEAD BOLT M4X16		2			
048	318202-7	BEARING BOX		1			

049	213513-4	O RING 39		1		
050	267126-3	FLAT WASHER 22		2		
052	226675-9	HELICAL GEAR 36		1		
053	266041-8	TAPPING SCREW 5X25		4		
054	256087-2	PIN 7		1		
055	324847-1	STRIKER		1		
056	213283-5	O-RING 18		1		
057	213283-5	O-RING 18		1		
058	213262-3	O RING 18		1		
059	450298-3	PISTON		1		
060	450278-9	CONNECTING ROD		1		
061	331797-3	SLEEVE 29		1		
062	232560-6	COMPRESSION SPRING 12		1		
063	158523-3	CRANK HOUSING COMPLETE		1		
C10	213415-4	O RING 28		1		
064	211131-2	BALL BEARING 6001DDW		1		
065	253748-5	FLAT WASHER 12		1		
066	519589-2	ROTOR ASSY		1		
066		INC. 64,65,67				
067	210022-4	BALL BEARING 626DDW		1		
069	265995-6	TAPPING SCREW 4X18		2		
070	459749-3	BAFFLE PLATE		1		
071	629451-4	STATOR		1	*	
071-1	629B71-6	STATOR	S	1		
072	459747-7	MOTOR HOUSING		1		
073	620936-3	LED CIRCUIT		1		
074	232411-3	COMPRESSION SPRING 8		1		
075	265995-6	TAPPING SCREW 4X18		7		
076	183N36-9	HOUSING SET		1		
C10	263005-3	RUBBER PIN 6		2		
076		INC. 88				
077	620796-3	DIAL CIRCUIT		1		
078	140M96-8	MOTOR HOUSING COVER COMPLETE		1		
079	265995-6	TAPPING SCREW 4X18		2		
080	232152-1	LEAF SPRING		1		
081	459751-6	TRIGGER LOCK		1		
082	651399-2	SWITCH C3JW-6B-PA		1		
083	459750-8	SWITCH LEVER		1		
084	232561-4	COMPRESSION SPRING 5		1		
085	620C18-9	CONTROLLER		1		
086	643874-2	TERMINAL		1		
087	265995-6	TAPPING SCREW 4X18		4		
088	183N36-9	HOUSING SET		1		
C10	263005-3	RUBBER PIN 6		2		
088		INC. 76				
089	856L09-0	DHK180 SERIAL NO. LABEL		1		
090	911211-1	PAN HEAD SCREW M5X12		2		
091	264002-2	SQUARE NUT M5		2		
093	127344-4	HOOK ASS'Y		1	*	
093-1	122B76-0	HOOK ASSEMBLY	<	1		
094	856L02-4	DHK180 NAME PLATE		1		

095	620L06-0	CONTROLLER B	S	1		
096	638A31-1	LEAD UNIT	S	1		
097	652119-7	PAN HEAD SCREW M2X6	S	6		
B01	191C39-3	HAMMER SERVICE KIT		1		
C10	181490-7	HAMMER GREASE 30G		1	*	
C11	1914C5-7	GREASE SET	O	1		
B01		INC. 1,6,22,27,29,56,57				
B02	191C37-7	HOOK SET		1	*	
B02		INC. 90,91,93			*	
B02-1	191W90-3	HOOK SET	<	1		
C10	911218-7	PAN HEAD SCREW M5X14		2		
B02-1		INC. 91,93				
E01	819V87-1	SOUND 96DB LABEL		1		

Please state Parts No. when your order.

Print Date 12/02/2024