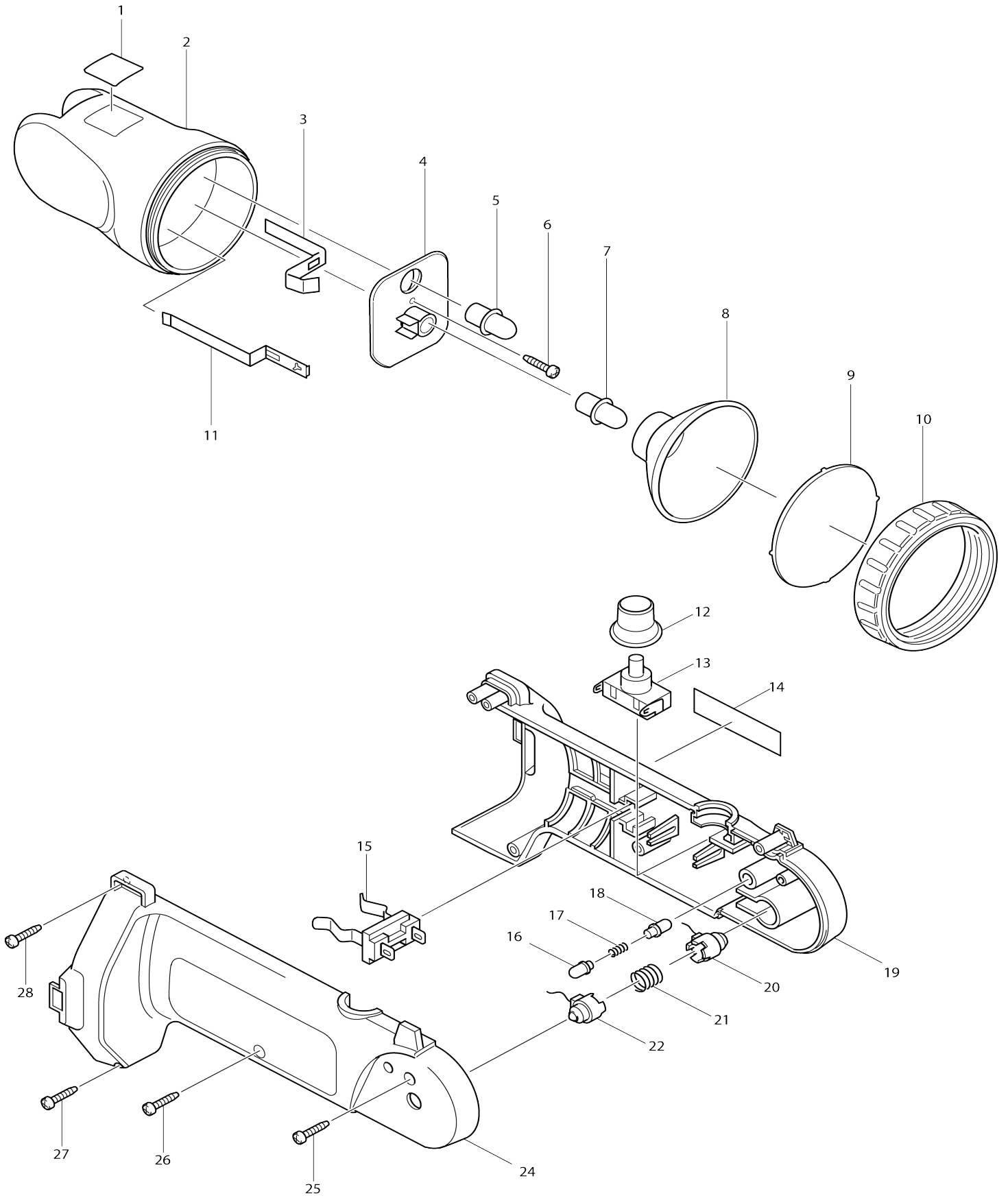


# Model No.ML180 RECHARGEABLE FLASHLIGHT



Model No.ML180 RECHARGEABLE FLASHLIGHT

| Item No. | Parts No.  | Description            | Interchangability | Q'ty | New/Old | Note1 | Note2 |
|----------|------------|------------------------|-------------------|------|---------|-------|-------|
| 001      | 819088-7   | MAKITA LABEL           |                   | 1    |         |       |       |
| 002      | GM00000020 | HEAD                   |                   | 1    |         |       |       |
| 003      | GM00000110 | BULB CONTACT PLATE (+) |                   | 1    |         |       |       |
| 004      | GM00000080 | PROTECTOR FOR CONTACT  |                   | 1    |         |       |       |
| 005      | A-30542    | BULB SET               |                   | 1    |         |       |       |
| 006      | GM00000150 | SCREW 3X12             |                   | 1    |         |       |       |
| 007      | A-30542    | BULB SET               |                   | 1    |         |       |       |
| 008      | GM00000130 | REFLECTOR              |                   | 1    |         |       |       |
| 009      | GM00000070 | LENS                   |                   | 1    |         |       |       |
| 010      | GM00000010 | REFLECTOR RETAINER     |                   | 1    |         |       |       |
| 011      | GM00000120 | BULB CONTACT PLATE (-) |                   | 1    |         |       |       |
| 012      | 421540-9   | COVER C9010901009      |                   | 1    |         |       |       |
| 013      | GM00000200 | SWITCH                 |                   | 1    |         |       |       |
| 014      | 851364-3   | Name plate ML180       |                   | 1    |         |       |       |
| 015      | 643926-9   | BATTERY HOLDER         |                   | 1    |         |       |       |
| 016      | 415811-4   | KNOCK SHAFT            |                   | 1    |         |       |       |
| 017      | GM00000090 | COMPRESSION SPRING 4   |                   | 1    |         |       |       |
| 018      | 415811-4   | KNOCK SHAFT            |                   | 1    |         |       |       |
| 019      | GM00000180 | HOUSING L              |                   | 1    |         |       |       |
| 020      | 632523-6   | PIVOT TERMINAL UNIT L  |                   | 1    |         |       |       |
| 021      | GM00000100 | COMPRESSION SPRING 7   |                   | 1    |         |       |       |
| 022      | 632524-4   | PIVOT TERMINAL UNIT R  |                   | 1    |         |       |       |
| 024      | GM00000190 | HOUSING R              |                   | 1    |         |       |       |
| 025      | 265869-1   | + TAPPING SCREW 3X14   |                   | 1    |         |       |       |
| 026      | 265869-1   | + TAPPING SCREW 3X14   |                   | 1    |         |       |       |
| 027      | 265869-1   | + TAPPING SCREW 3X14   |                   | 1    |         |       |       |
| 028      | 265869-1   | + TAPPING SCREW 3X14   |                   | 1    |         |       |       |
| A01      | 415812-2   | HOOK BUTTON            |                   | 2    | *       |       |       |
| A01-1    | 345261-8   | HOOK PLATE             | S                 | 2    |         |       |       |
| A02      | 415813-0   | STRAP                  |                   | 1    | *       |       |       |
| A02-1    | 417926-3   | STRAP G0970200500      | S                 | 1    |         |       |       |

Please state Parts No. when your order.

Print Date 10/25/2023