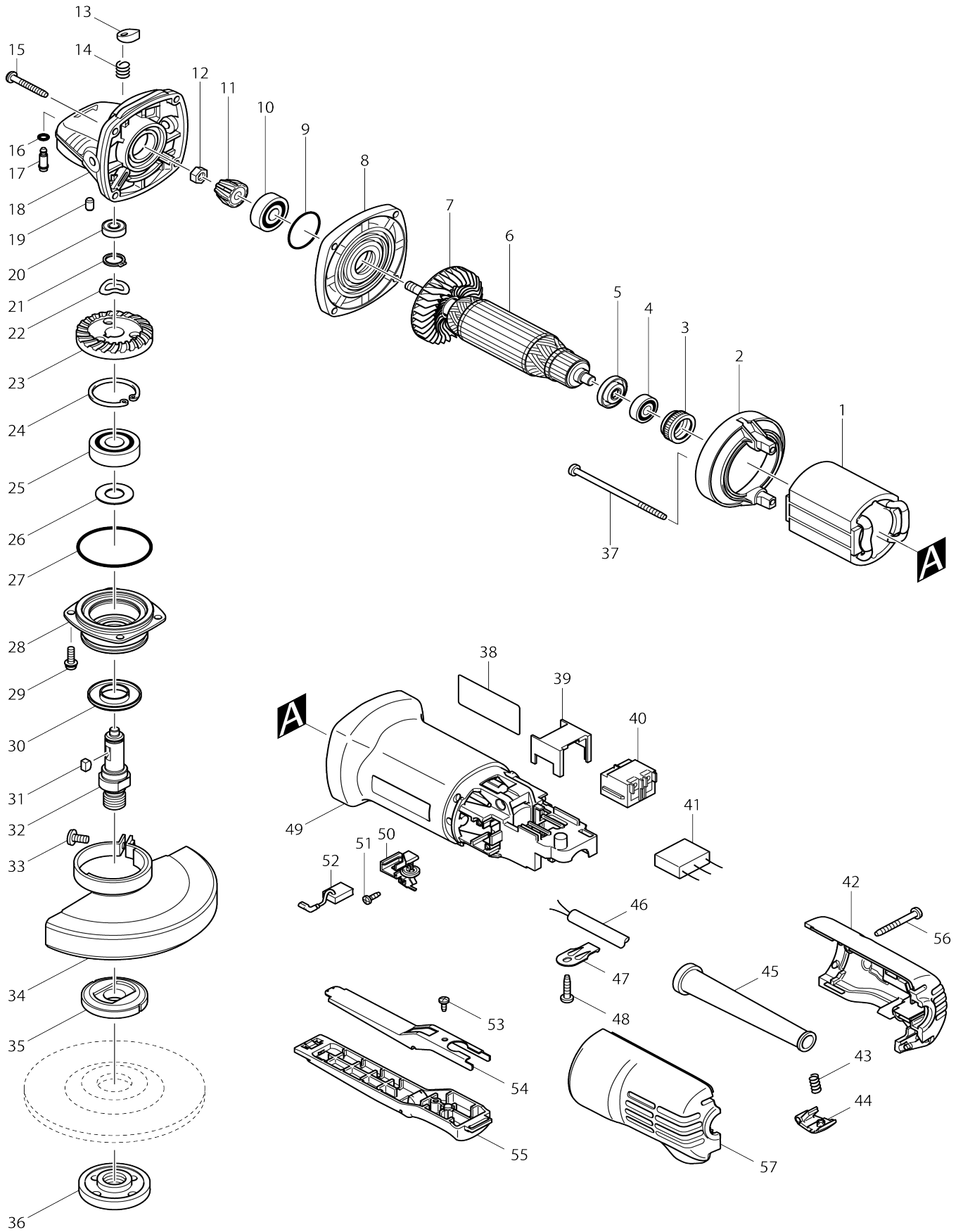


Model No.9558HP 125MM ANGLE GRINDER



Model No.9558HP 125MM ANGLE GRINDER

Item No.	Parts No.	Description	Interchangeability	Q'ty	New/Old	Note1	Note2
001	621708-9	FIELD 220-240V		1	*		
001-1	621708-9	FIELD 220-240V	O	1			
002	418770-1	BAFFLE PLATE		1	*		
002-1	457791-8	BAFFLE PLATE	<	1			
003	421868-5	LABYRINTH RUBBER RING 19		1	*		
003-1	422768-2	LABYRINTH RUBBER RING19	<	1			
004	210034-7	BALL BEARING 607LLB		1			
005	681636-0	INSULATION WASHER		1			
006	515613-9	ARMATURE ASS'Y 220-240V		1			
006		INC. 4,5,7					
007	240076-7	FAN 56		1			
008	317821-6	GEAR HOUSING COVER		1			
009	213445-5	O-RING 26		1	*		
009-1	213407-3	O RING 26	O	1			
010	210042-8	BALL BEARING 629LLB		1			
011	227541-3	SPIRAL BEVEL GEAR 10		1			
012	252186-8	HEX. NUT M6		1			
013	417771-6	PIN CAP		1			
014	233376-2	COMPRESSION SPRING 8		1			
015	266361-0	TAPPING SCREW 4X30		4	*		
015-1	266050-7	TAPPING SCREW 4X30	O	4	*		
015-2	265B70-0	TAPPING SCREW 4X30	O	4			
016	213960-9	O RING 5		1			
017	256486-8	SHOULDER PIN 4		1			
018	317814-3	GEAR HOUSING		1	*		
018-1	318051-2	GEAR HOUSING	O	1			
019	263002-9	RUBBER PIN 4		1			
020	210033-9	BALL BEARING 696ZZ		1			
021	961052-5	RETAINING RING (EXT) S-12		1	*		
021-1	233950-6	RING SPRING 11	S	1			
022	267794-2	WAVE WASHER 12		1	*		
023	227542-1	SPIRAL BEVEL GEAR 37		1	*		
023-1	227B90-2	SPIRAL BEVEL GEAR 37	S	1			
024	962151-6	RETAINING RING R-32		1			
025	211129-9	BALL BEARING 6201DDW		1			
026	267238-2	FLAT WASHER 12		1			
027	213622-9	O RING 45		1			
028	317819-3	BEARING BOX		1	*		
028-1	318331-6	BEARING BOX	S	1			
029	265099-4	PAN HEAD SCREW M4X14		4			
030	345464-4	LABYRINTH RING		1			
031	254011-9	WOODRUFF KEY 4		1	*		
032	324489-1	SPINDLE		1	*		
032-1	324954-0	SPINDLE	S	1			
033	265103-9	PAN HEAD SCREW M5X14		1	*		
033-1	265180-1	PAN HEAD SCREW M5X16	<	1			
034	125268-8	WHEEL COVER ASS'Y		1	*		

034		INC. 33			*		
034-1	122887-1	WHEEL COVER 125K ASSY	S	1	*		
C10	213009-5	O RING 4		1	*		
034-1		INC. 33			*		
034-2	123099-9	WHEEL COVER 125AK ASSEMBLY	<	1			
C10	213009-5	O RING 4		1	*		
034-2		INC. 33					
035	224415-9	INNER FLANGE 42		1			
036	224554-5	LOCK NUT 14-45		1			
037	266345-8	TAPPING SCREW 4X80		2	*		
037-1	266623-6	+BIND TAPPING SCREW 4X80	O	2	*		
037-2	265B68-7	TAPPING SCREW 4X80	O	2			
038	865898-0	9558HP NAME PLATE		1			
039	418729-8	SPACER		1			
040	650560-8	SWITCH DPX-2110-R		1			
041	645233-6	NOISE SUPPRESSOR		1	*		
041-1	638740-6	CAPACITOR UNIT	S	1	*		
041-2	638740-6	CAPACITOR UNIT	O	1			
042	183943-2	REAR COVER SET		1	*		
042		INC. 57			*		
042-1	183U00-2	REAR COVER SET	<	1			
042-1		INC. 57					
043	231252-4	COMPRESSION SPRING 6		1			
044	418842-2	LOCK ON BUTTON		1			
045	682559-5	CORD GUARD 8		1			
046	665394-6	POWER SUPPLY CORD 1.0-2-2.5		1			
047	687169-3	STRAIN RELIEF		1			
048	266326-2	TAPPING SCREW 4X18		1	*		
048-1	265995-6	TAPPING SCREW 4X18	O	1	*		
048-2	265B67-9	TAPPING SCREW 4X18	O	1			
049	418838-3	MOTOR HOUSING		1			
050	643760-7	BRUSH HOLDER		2			
051	266007-8	TAPPING SCREW BIND PT 3X10		4			
052	194074-2	CARBON BRUSH CB-325		1			
053	265954-0	TAPPING SCREW BIND PT3X8		1			
054	345504-8	PLATE		1			
055	154584-1	SWITCH LEVER B COMPLETE		1			
056	266351-3	TAPPING SCREW 4X35		2	*		
056-1	266053-1	TAPPING SCREW 4X35	O	2	*		
056-2	265B69-5	TAPPING SCREW 4X35	O	2			
057	183943-2	REAR COVER SET		1	*		
057		INC. 42			*		
057-1	183U00-2	REAR COVER SET	<	1			
057-1		INC. 42					
058	819355-0	CLEAR LABEL		1	*		
058-1	892373-3	CLEAR LABEL		1	*		
058-2	805W67-9	CLEAR LABEL	O	1	*		
A01	153489-2	GRIP 36 COMPLETE		1			
A02	782423-1	LOCK NUT WRENCH 35		1			
F02	192227-7	SUPER FLANGE		1			

Please state Parts No. when your order.

Print Date 12/02/2024