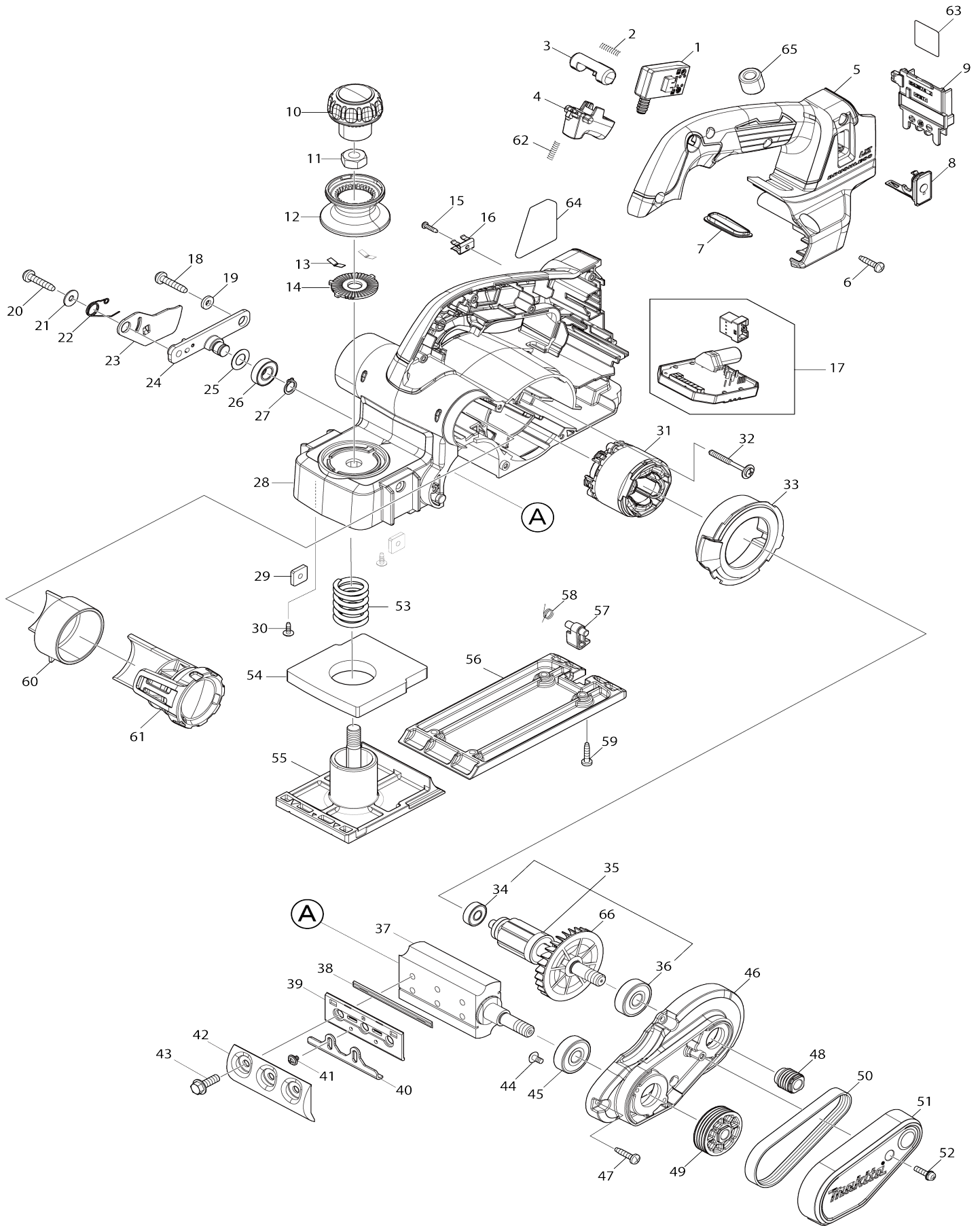


Model No.DKP181 82MM CORDLESS PLANER



Model No.DKP181 82MM CORDLESS PLANER

| Item No. | Parts No. | Description | Interchangeability | Q'ty | New/Old | Note1 | Note2 |
|----------|-----------|---------------------------|--------------------|------|---------|-------|-------|
| 001 | 651083-9 | SWITCH C3XA-1PSPM | | 1 | | | |
| 002 | 231433-0 | COMPRESSION SPRING 4 | | 1 | | | |
| 003 | 419704-7 | LOCK OFF BUTTON | | 1 | | | |
| 004 | 457432-6 | SWITCH LEVER | | 1 | | | |
| 005 | 140N52-4 | HANDLE COVER COMPLETE | | 1 | * | | |
| C10 | 263005-3 | RUBBER PIN 6 | | 1 | * | | |
| 005-1 | 140V49-1 | HANDLE COVER COMPLETE | < | 1 | * | | |
| C10 | 263005-3 | RUBBER PIN 6 | | 1 | * | | |
| 005-2 | 140V73-4 | HANDLE COVER COMPLETE | O | 1 | * | | |
| C10 | 263005-3 | RUBBER PIN 6 | | 1 | * | | |
| 005-3 | 136568-1 | HANDLE COVER ASSEMBLY | O | 1 | | | |
| C10 | 263005-3 | RUBBER PIN 6 | | 1 | | | |
| 006 | 265995-6 | TAPPING SCREW 4X18 | | 6 | | | |
| 007 | 142948-1 | INDICATION PLATE COMPLETE | | 1 | | | |
| 008 | 140F99-0 | CAP COMPLETE | | 1 | | | |
| C10 | 213218-6 | O RING 16 | | 1 | * | | |
| C11 | 213A05-9 | O-RING16 | O | 1 | | | |
| C20 | 818H07-8 | CAP LABEL | | 1 | | | |
| 009 | 643874-2 | TERMINAL | | 1 | | | |
| 010 | 451328-3 | KNOB COVER | | 1 | | | |
| 011 | 252276-7 | HEX. NUT M10 | | 1 | | | |
| 012 | 459894-4 | KNOB | | 1 | | | |
| 013 | 232185-6 | LEAF SPRING | | 2 | | | |
| 014 | 347588-2 | CAM PLATE | | 1 | | | |
| 015 | 266556-5 | TAPPING SCREW 3X12 | | 1 | | | |
| 016 | 232570-3 | LEAF SPRING | | 1 | | | |
| 017 | 620B79-3 | CONTROLLER | | 1 | * | | |
| 017-1 | 620J24-6 | CONTROLLER | S | 1 | | | |
| 018 | 266041-8 | TAPPING SCREW 5X25 | | 1 | | | |
| 019 | 267012-8 | FLAT WASHER 5 | | 1 | | | |
| 020 | 266041-8 | TAPPING SCREW 5X25 | | 1 | | | |
| 021 | 253194-2 | FLAT WASHER 5 | | 1 | | | |
| 022 | 233521-9 | TORSION SPRING 10 | | 1 | | | |
| 023 | 345765-0 | DRUM COVER | | 1 | | | |
| 024 | 158184-9 | DRUM HOLDER COMPLETE | | 1 | * | | |
| 024-1 | 141T27-2 | DRUM HOLDER COMPLETE | O | 1 | | | |
| 025 | 253758-2 | FLAT WASHER 10 | | 1 | | | |
| 026 | 210057-5 | BALL BEARING 6900LLB | | 1 | | | |
| 027 | 961006-2 | RETAINING RING S-10 | | 1 | | | |
| 028 | 140N51-6 | MAIN FRAME COMPLETE | | 1 | * | | |
| C10 | 263005-3 | RUBBER PIN 6 | | 1 | * | | |
| 028-1 | 136534-8 | MAIN FRAME ASSEMBLY | O | 1 | | | |
| C10 | 263005-3 | RUBBER PIN 6 | | 1 | | | |
| 029 | 264002-2 | SQUARE NUT M5 | | 2 | | | |
| 030 | 265A77-0 | TAPPING SCREW 3X10 | | 2 | | | |
| 031 | 629453-0 | STATOR | | 1 | * | | |
| 031-1 | 629B61-9 | STATOR | S | 1 | | | |

| | | | | | | |
|-------|----------|-----------------------------|---|---|---|--|
| 032 | 265679-6 | TAPPING SCREW 4X40 | | 2 | | |
| 033 | 459891-0 | BAFFLE PLATE | | 1 | | |
| 034 | 210034-7 | BALL BEARING 607LLB | | 1 | | |
| 035 | 519590-7 | ROTOR ASS'Y | | 1 | | |
| D10 | | INC. 34,36,66 | | | | |
| 036 | 211087-9 | BALL BEARING 6200DDW | | 1 | | |
| 037 | 158156-4 | DRUM COMPLETE | | 1 | | |
| 038 | A-82921 | T.C.T. MINI PLANER BLADE | | 1 | | |
| 039 | 343433-9 | SET PLATE F/MINI BLADE | | 2 | | |
| 040 | 345644-2 | ADJUST PLATE | | 2 | | |
| 041 | 251246-3 | + PAN HEAD SCREW M4X5 | | 4 | | |
| 042 | 187676-1 | DRUM PLATE SET | | 1 | | |
| 043 | 251609-3 | HEX. FLANGE HEAD BOLT M6X17 | | 6 | | |
| 044 | 251291-8 | + SCREW M4X8 | | 2 | | |
| 045 | 211087-9 | BALL BEARING 6200DDW | | 1 | | |
| 046 | 140N50-8 | BRACKET COMPLETE | | 1 | | |
| C10 | 263002-9 | RUBBER PIN 4 | | 1 | | |
| 047 | 265995-6 | TAPPING SCREW 4X18 | | 4 | | |
| 048 | 222193-5 | V-PULLEY 4-17L | | 1 | | |
| 049 | 222194-3 | V-PULLEY 4-39.5 | | 1 | | |
| 050 | 225071-8 | POLY V-BELT 4-241 | | 1 | | |
| 051 | 459893-6 | BELT COVER | | 1 | | |
| 052 | 911133-5 | PAN HEAD SCREW M4X18 | | 1 | | |
| 053 | 231004-3 | COMPRESSION SPRING 18 | | 1 | * | |
| 053-1 | 233395-8 | COMPRESSION SPRING 18 | O | 1 | | |
| 054 | 422531-3 | RUBBER PACKING | | 1 | | |
| 055 | 319872-5 | FRONT BASE | | 1 | | |
| 056 | 318499-8 | BASE | | 1 | * | |
| 056-1 | 312C89-7 | BASE | O | 1 | | |
| 057 | 451392-4 | FOOT | | 1 | * | |
| 057-1 | 413L64-1 | FOOT | < | 1 | | |
| 058 | 231698-4 | TORSION SPRING 7 | | 1 | | |
| 059 | 265995-6 | TAPPING SCREW 4X18 | | 4 | | |
| 060 | 459892-8 | NOZZLE | | 1 | | |
| 061 | 125353-7 | DUCT ASS'Y | | 1 | | |
| 062 | 231433-0 | COMPRESSION SPRING 4 | | 1 | | |
| 063 | 856J96-7 | DKP181 SERIAL NO. LABEL | | 1 | | |
| 064 | 856J88-6 | DKP181 NAME PLATE | | 1 | | |
| 065 | 688163-8 | LINE FILTER | | 1 | * | |
| 066 | 240079-1 | FAN 62 | | 1 | | |
| 067 | 620K37-3 | CONTROLLER B | S | 1 | | |
| 068 | 652119-7 | PAN HEAD SCREW M2X6 | S | 6 | | |
| A01 | 122785-9 | GUIDE RULE ASS'Y | | 1 | | |
| C10 | 213009-5 | O RING 4 | | 1 | | |
| C20 | 251871-0 | SCREW M5X10 | | 1 | | |
| C30 | 251878-6 | SCREW M5X20 | | 1 | | |
| C40 | 253807-5 | FLAT WASHER 5 | | 2 | | |
| C50 | 345768-4 | GUIDE HOLDER | | 1 | | |
| A02 | 123062-2 | BLADE GAUGE ASS'Y | | 1 | * | |
| C10 | 911228-4 | PAN HEAD SCREW M5X18 | | 2 | * | |
| C20 | 411086-3 | GAUGE PLATE | | 1 | * | |
| A02-1 | 127669-6 | BLADE GAUGE ASSEMBLY | O | 1 | * | |

| | | | | | | | |
|-------|----------|----------------------|---|---|---|--|--|
| C10 | 911228-4 | PAN HEAD SCREW M5X18 | | 2 | * | | |
| C20 | 418465-6 | GAUGE PLATE | | 1 | * | | |
| A02-2 | 122695-0 | BLADE GAUGE ASS'Y | O | 1 | | | |
| C10 | 265131-4 | PAN HEAD SCREW M5X18 | | 2 | | | |
| C20 | 418465-6 | GAUGE PLATE | | 1 | | | |
| A03 | 782209-3 | SOCKET WRENCH 9 | | 1 | | | |
| A04 | 251878-6 | SCREW M5X20 | | 1 | | | |
| A05 | 253807-5 | FLAT WASHER 5 | | 1 | | | |
| A06 | 342390-8 | DEPTH GUIDE | | 1 | | | |
| A11 | 442198-1 | ANTI CORROSION PAPER | | 1 | * | | |
| F07 | 193540-6 | SET PLATE 82 SET | | 1 | | | |
| F08 | 193540-6 | SET PLATE 82 SET | | 1 | | | |
| F10-2 | 198900-7 | WIRELESS UNIT SET | < | 1 | * | | |
| F10-3 | 198900-7 | WIRELESS UNIT SET | O | 1 | | | |
| A08 | 198900-7 | WIRELESS UNIT SET | | 1 | * | | |
| A08-1 | 198900-7 | WIRELESS UNIT SET | < | 1 | * | | |
| A08-2 | 198900-7 | WIRELESS UNIT SET | < | 1 | * | | |
| A08-3 | 198900-7 | WIRELESS UNIT SET | O | 1 | | | |

Please state Parts No. when your order.

Print Date 01/07/2024