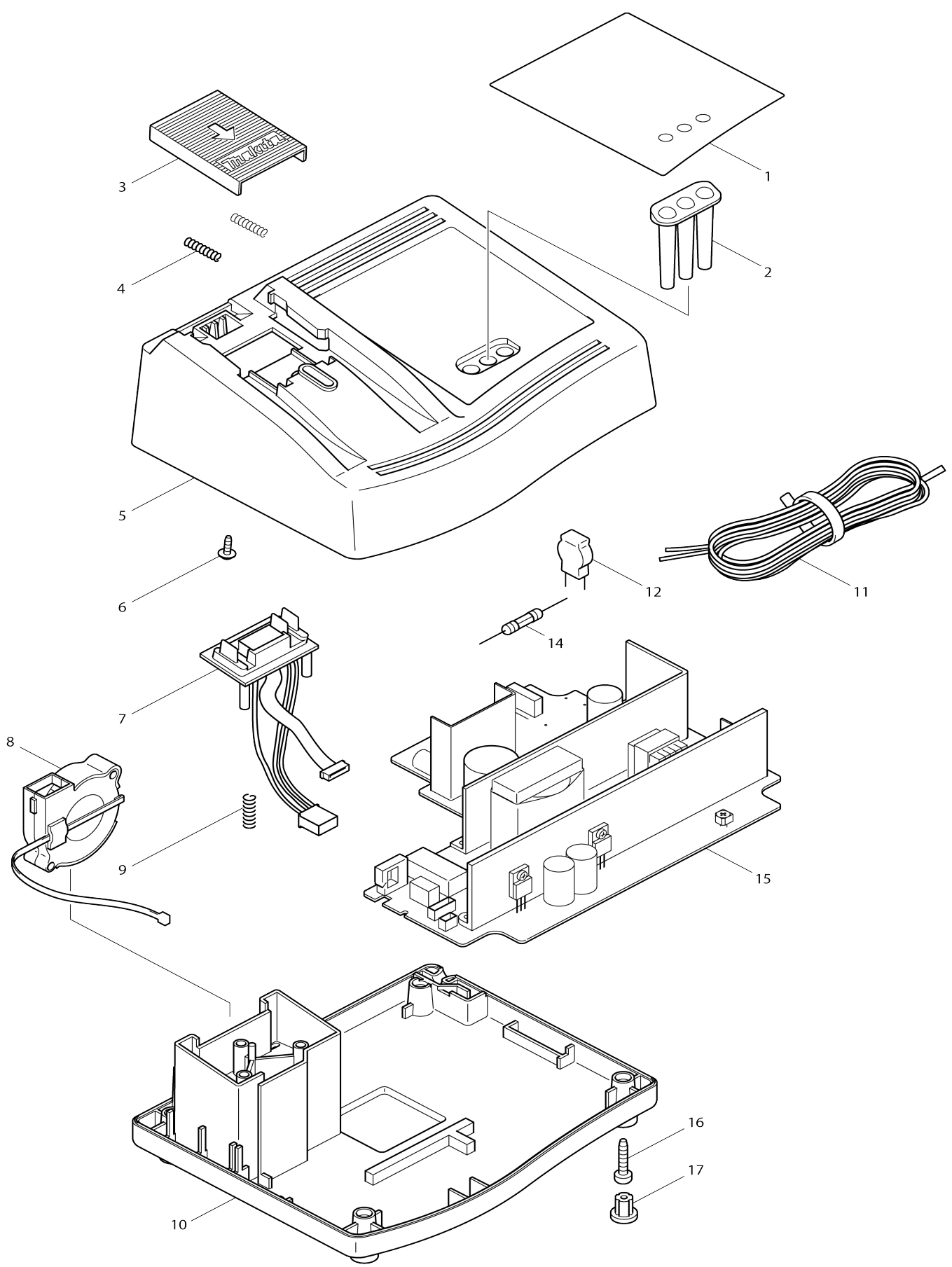


Model No.DC24SC CHARGER



Model No.DC24SC CHARGER

| Item No. | Parts No. | Description | Interchangability | Q'ty | New/Old | Note1 | Note2 |
|----------|-----------|--------------------------------|-------------------|------|---------|-------|-------|
| 001 | 803399-0 | Charging condition label | | 1 | | | |
| 002 | 418278-5 | Acrylic pin | | 1 | | | |
| 003 | 418181-0 | Terminal cover (clear) | | 1 | | | |
| 004 | 231474-6 | COMPRESSION SPRING 4 | | 2 | | | |
| 005 | 188060-3 | Charger case set (blue) | | 1 | | | |
| D10 | | INC. 1,2 | | | | | |
| 006 | 266278-7 | TAPPING SCREW FLANGE BT3X10 | | 1 | | | |
| 007 | 638418-1 | Terminal unit | | 1 | | | |
| 008 | 638084-4 | Sirocco fan | | 1 | * | | |
| 008-1 | 638499-5 | SCIROCCO FAN | < | 1 | | | |
| 009 | 233194-8 | COMPRESSION SPRING 4 | | 1 | | | |
| 010 | 418891-9 | Charger case cover (navy-blue) | | 1 | | | |
| 011 | 667985-9 | VINYL CORD 0.75-2-2.0 | | 1 | | | |
| 012 | 647306-1 | VARISTOR | | 1 | | | |
| 014 | 652779-5 | FUSE | | 1 | | | |
| 015 | 631682-3 | Charging circuit | | 1 | | | |
| D10 | | INC. 12,14 | | | | | |
| 016 | 266346-6 | TAPPING SCREW BT 4X20 | | 4 | * | | |
| 016-1 | 265B01-9 | TAPPING SCREW PT 4X20 | < | 4 | | | |
| 017 | 286255-3 | CAP 13 | | 4 | | | |

Please state Parts No. when your order.

Print Date 14.11.2023