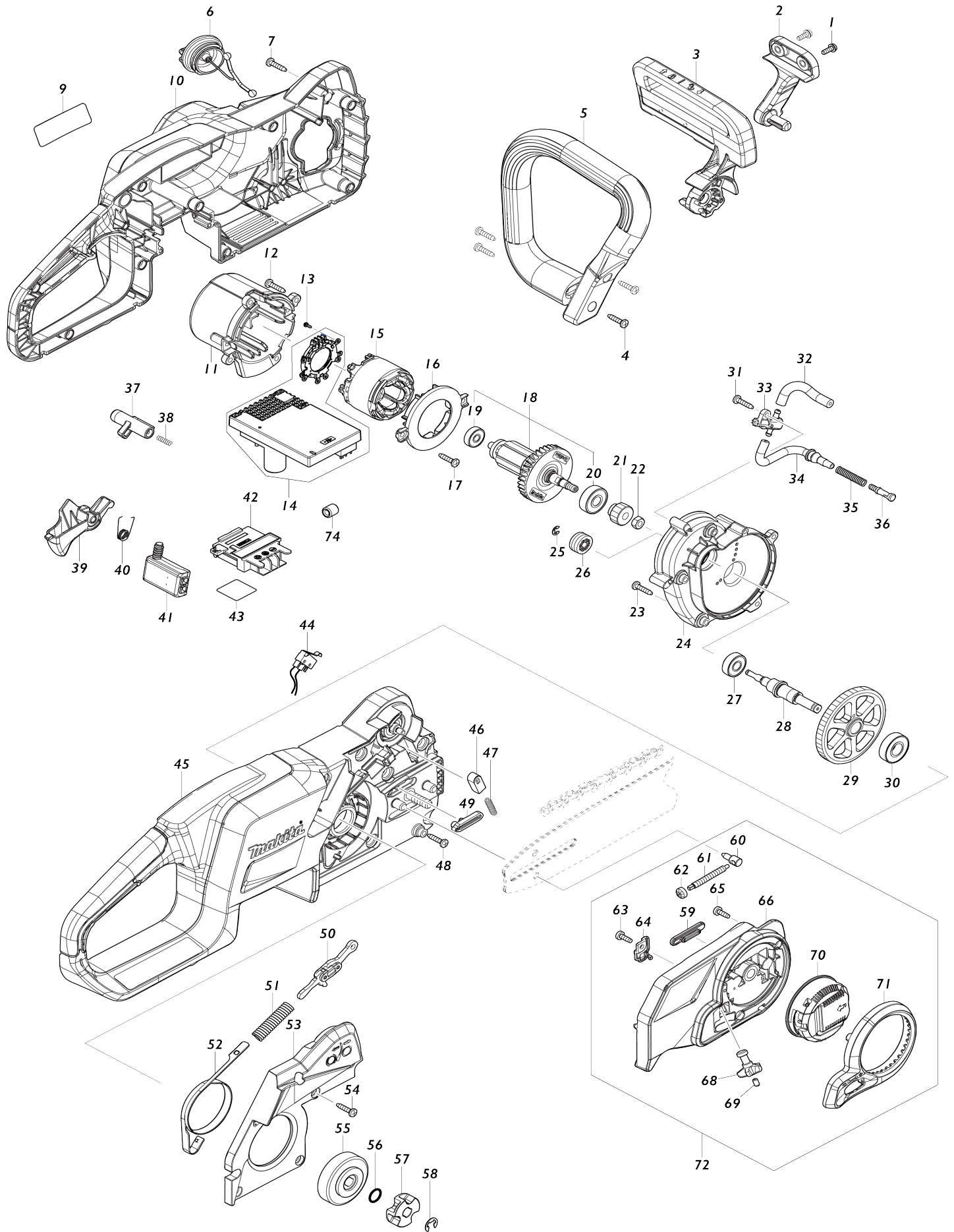


# Model No.DUC357 350MM CORDLESS CHAIN SAW



**Model No.DUC357 350MM CORDLESS CHAIN SAW**

| Item No. | Parts No. | Description               | Interc hang eabilit y | Q'ty | New/ Old | Note1 | Note2 |
|----------|-----------|---------------------------|-----------------------|------|----------|-------|-------|
| 001      | 911118-1  | PAN HEAD SCREW M4X12      |                       | 2    |          |       |       |
| 002      | 413J87-7  | FRONT HAND GUARD RETAINER |                       | 1    |          |       |       |
| 003      | 141K82-0  | FRONT HAND GUARD COMPLETE |                       | 1    |          |       |       |
| C10      | 810R21-0  | CAUTION LABEL             |                       | 1    |          |       |       |
| 004      | 266326-2  | TAPPING SCREW 4X18        |                       | 4    |          |       |       |
| 005      | 413J75-4  | FRONT HANDLE              |                       | 1    |          |       |       |
| 006      | 162C20-1  | TANK CAP COMPLETE         |                       | 1    |          |       |       |
| C10      | 213A30-0  | O-RING 29.5               |                       | 1    |          |       |       |
| 007      | 266326-2  | TAPPING SCREW 4X18        |                       | 9    |          |       |       |
| 009      | 858R06-8  | DUC357 NAME PLATE         |                       | 1    |          |       |       |
| 010      | 183W84-2  | HOUSING SET               |                       | 1    |          |       |       |
| C10      | 263005-3  | RUBBER PIN 6              |                       | 2    |          |       |       |
| C20      | 8057G1-2  | MAKITA LOGO LABEL         |                       | 1    |          |       |       |
| D10      |           | INC. 45                   |                       |      |          |       |       |
| 011      | 413J76-2  | MOTOR HOUSING             |                       | 1    |          |       |       |
| 012      | 266326-2  | TAPPING SCREW 4X18        |                       | 4    |          |       |       |
| 013      | 652119-7  | PAN HEAD SCREW M2X6       |                       | 6    |          |       |       |
| 014      | 620J78-3  | CONTROLLER                |                       | 1    |          |       |       |
| 015      | 629B62-7  | STATOR                    |                       | 1    |          |       |       |
| 016      | 413J86-9  | BAFFLE PLATE              |                       | 1    |          |       |       |
| 017      | 266326-2  | TAPPING SCREW 4X18        |                       | 2    |          |       |       |
| 018      | 519766-6  | ROTOR ASS'Y               |                       | 1    | *        |       |       |
| D10      |           | INC. 19,20                |                       |      |          |       |       |
| 018-1    | 519766-6  | ROTOR ASS'Y               | O                     | 1    |          |       |       |
| D10      |           | INC. 19,20                |                       |      |          |       |       |
| 019      | 211499-6  | BALL BEARING 626ZZ        |                       | 1    |          |       |       |
| 020      | 211092-6  | BALL BEARING 629DDW       |                       | 1    |          |       |       |
| 021      | 227989-9  | SPUR GEAR 16              |                       | 1    |          |       |       |
| 022      | 252186-8  | HEX. NUT M6               |                       | 1    |          |       |       |
| 023      | 266326-2  | TAPPING SCREW 4X18        |                       | 5    |          |       |       |
| 024      | 413J72-0  | BEARING HOUSING           |                       | 1    |          |       |       |
| 025      | 961011-9  | STOP RING E-4             |                       | 1    |          |       |       |
| 026      | 226884-0  | WORM GEAR                 |                       | 1    |          |       |       |
| 027      | 211032-4  | BALL BEARING 608ZZ        |                       | 1    |          |       |       |
| 028      | 327A29-0  | SPINDLE                   |                       | 1    |          |       |       |
| 029      | 227990-4  | SPUR GEAR 73              |                       | 1    |          |       |       |
| 030      | 210216-1  | BALL BEARING 6001DDW      |                       | 1    |          |       |       |
| 031      | 266326-2  | TAPPING SCREW 4X18        |                       | 1    |          |       |       |
| 032      | 422914-7  | OIL TUBE 3-60             |                       | 1    |          |       |       |
| 033      | 141N25-0  | OIL PUMP COMPLETE         |                       | 1    |          |       |       |
| 034      | 422913-9  | OIL TUBE 3-105            |                       | 1    |          |       |       |
| 035      | 231975-4  | SPRING                    |                       | 1    |          |       |       |
| 036      | 452666-6  | NIPPLE                    |                       | 1    |          |       |       |
| 037      | 413J88-5  | LOCK OFF BUTTON           |                       | 1    |          |       |       |
| 038      | 231469-9  | COMPRESSION SPRING 4      |                       | 1    |          |       |       |
| 039      | 413J84-3  | SWITCH LEVER              |                       | 1    |          |       |       |
| 040      | 233621-5  | TORSION SPRING 9          |                       | 1    |          |       |       |
|          |           |                           |                       |      |          |       |       |

|       |           |                         |   |   |   |  |
|-------|-----------|-------------------------|---|---|---|--|
| 041   | 651083-9  | SWITCH C3XA-1PSPM       |   | 1 |   |  |
| 042   | 643874-2  | TERMINAL                |   | 1 |   |  |
| 043   | 858R13-1  | DUC357 SERIAL NO. LABEL |   | 1 |   |  |
| 044   | 632L48-2  | SWITCH UNIT             |   | 1 |   |  |
| 045   | 183W84-2  | HOUSING SET             |   | 1 |   |  |
| C10   | 263005-3  | RUBBER PIN 6            |   | 2 |   |  |
| C20   | 8057G1-2  | MAKITA LOGO LABEL       |   | 1 |   |  |
| D10   |           | INC. 10                 |   |   |   |  |
| 046   | 313212-9  | HAND GUARD GUIDE        |   | 1 |   |  |
| 047   | 234210-9  | COMPRESSION SPRING 3    |   | 1 |   |  |
| 048   | 266326-2  | TAPPING SCREW 4X18      |   | 1 |   |  |
| 049   | 422915-5  | GROMMET                 |   | 1 |   |  |
| 050   | 141E60-4  | LINK PLATE COMPLETE     |   | 1 |   |  |
| 051   | 232452-9  | COMPRESSION SPRING 7    |   | 1 |   |  |
| 052   | 347864-4  | BRAKE BAND              |   | 1 |   |  |
| 053   | 413J85-1  | HOUSING R COVER         |   | 1 |   |  |
| 054   | 266326-2  | TAPPING SCREW 4X18      |   | 5 |   |  |
| 055   | 162B78-4  | BRAKE DRUM              |   | 1 |   |  |
| 056   | 213060-5  | O RING 10               |   | 1 |   |  |
| 057   | 221464-7  | SPROCKET 6              |   | 1 |   |  |
| 058   | 961013-5  | STOP RING E-7           |   | 1 |   |  |
| 059   | 422833-7  | GROMMET                 |   | 1 |   |  |
| 060   | 326310-0  | ADJUST PIN              |   | 1 |   |  |
| 061   | 327958-1  | ADJUST SCREW            |   | 1 |   |  |
| 062   | 227496-2  | STRAIGHT BEVEL GEAR 14  |   | 1 |   |  |
| 063   | 266427-6  | TAPPING SCREW 4X12      |   | 1 |   |  |
| 064   | 413F29-7  | COVER                   |   | 1 |   |  |
| 065   | 266427-6  | TAPPING SCREW 4X12      |   | 3 |   |  |
| 066   | 413J73-8  | SPROCKET COVER          |   | 1 |   |  |
| 068   | 142665-3  | DRIVE GEAR COMPLETE     |   | 1 |   |  |
| 069   | 263002-9  | RUBBER PIN 4            |   | 1 |   |  |
| 070   | 142235-8  | NUT COMPLETE            |   | 1 |   |  |
| 071   | 454819-3  | NUT COVER               |   | 1 |   |  |
| 072   | 136784-5  | SPROCKET COVER ASS'Y    |   | 1 |   |  |
| D10   |           | INC. 59-66,68-71        |   |   |   |  |
| A01   | 191G16-9  | GUIDE BAR 14 SET        |   | 1 |   |  |
| A02   | 413G23-5  | GUIDE BAR CASE 360      |   | 1 | * |  |
| A02-1 | 413G23-5  | GUIDE BAR CASE 360      | O | 1 |   |  |
| A03   | 191H02-6  | SAW CHAIN 14 SET        |   | 1 |   |  |
| A06   | ***DC18RC | DC18RC FAST CHARGER     |   | 1 |   |  |
| D10   |           | COMPO-PARTS             |   |   |   |  |
| A07   | 197280-8  | BATTERY BL1850B SET     |   | 1 |   |  |
| F01   | 191G15-1  | GUIDE BAR 12 SET        |   | 1 |   |  |
| F02   | 191G16-9  | GUIDE BAR 14 SET        |   | 1 |   |  |
| F03   | 191G17-7  | GUIDE BAR 16 SET        |   | 1 |   |  |
| F04   | 191G23-2  | GUIDE BAR 12 SET        |   | 1 |   |  |
| F05   | 191G24-0  | GUIDE BAR 14 SET        |   | 1 |   |  |
| F06   | 191G25-8  | GUIDE BAR 16 SET        |   | 1 |   |  |
| F07   | 191H01-8  | SAW CHAIN 12 SET        |   | 1 |   |  |
| F08   | 191H02-6  | SAW CHAIN 14 SET        |   | 1 |   |  |
| F09   | 191H03-4  | SAW CHAIN 16 SET        |   | 1 |   |  |
| F10   | 191H10-7  | SAW CHAIN 12 SET        |   | 1 |   |  |

|       |          |                               |   |   |   |  |  |
|-------|----------|-------------------------------|---|---|---|--|--|
| F11   | 191H11-5 | SAW CHAIN 14 SET              |   | 1 |   |  |  |
| F12   | 191H12-3 | SAW CHAIN 16 SET              |   | 1 |   |  |  |
| F13   | 195923-6 | ROUND FILE 4.5 SET            |   | 1 | * |  |  |
| F13-1 | D-70954  | FILE HOLDER SET 4.5MM(11/64") | O | 1 |   |  |  |
| F14   | 198457-8 | CHAIN EDGER SET               |   | 1 | * |  |  |
| F14-1 | D-70948  | FILE HOLDER SET 4.0MM(5/32")  | O | 1 |   |  |  |
| F20   | 1914F2-4 | SAW CHAIN 12 SET              |   | 1 |   |  |  |
| F21   | 1914F3-2 | SAW CHAIN 14 SET              |   | 1 |   |  |  |
| F22   | 1914F4-0 | SAW CHAIN 16 SET              |   | 1 |   |  |  |
| F23   | 1914F6-6 | SAW CHAIN 12 SET              |   | 1 |   |  |  |
| F24   | 1914F7-4 | SAW CHAIN 14 SET              |   | 1 |   |  |  |
| F25   | 1914F8-2 | SAW CHAIN 16 SET              |   | 1 |   |  |  |

Please state Parts No. when your order.

Print Date 08/28/2024