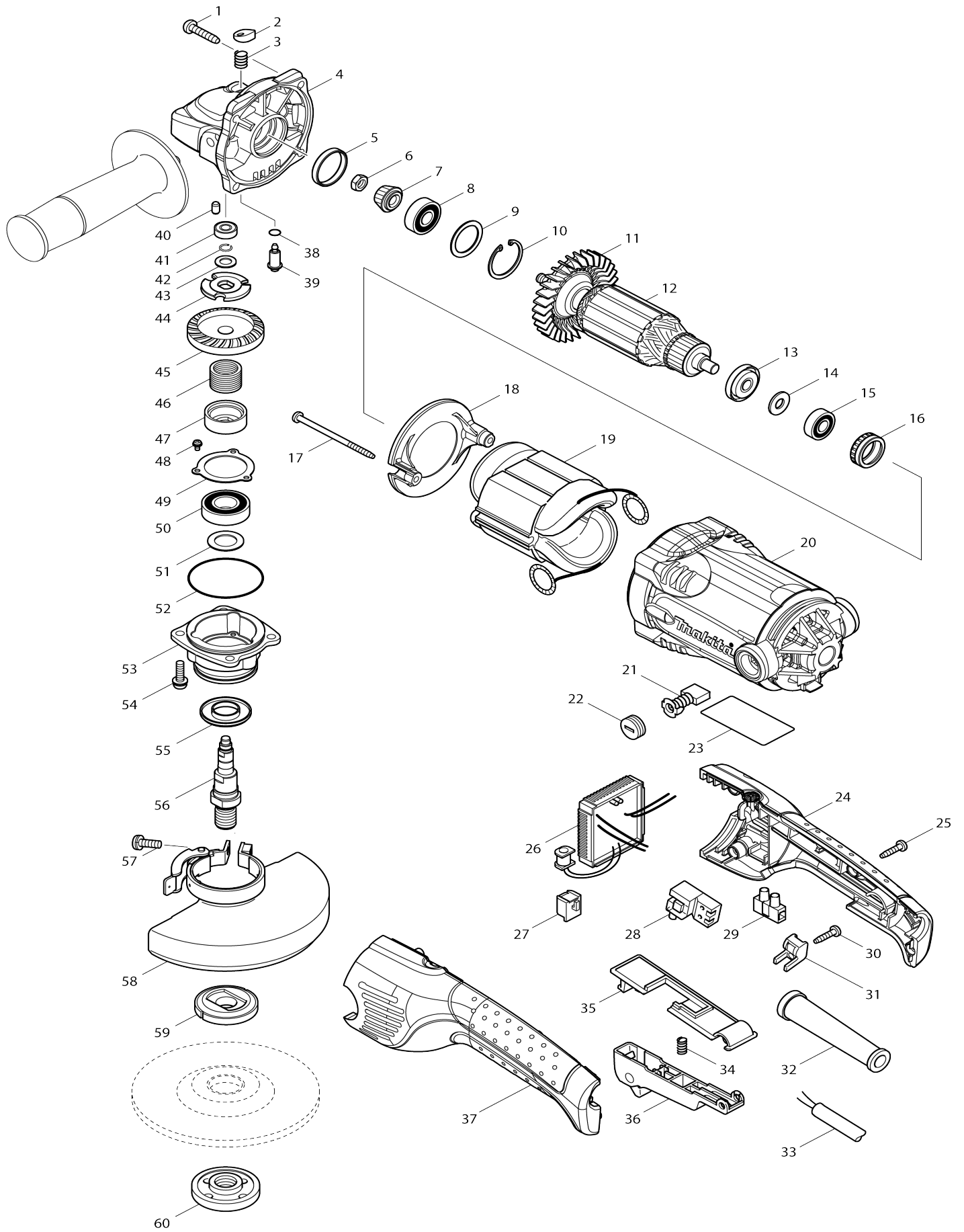


Model No.GA5021C ANGLE GRINDER 125MM



Model No.GA5021C ANGLE GRINDER 125MM

Item No.	Parts No.	Description	Interchangeability	Q'ty	New/Old	Note1	Note2
001	266041-8	TAPPING SCREW 5X25		4	*		
001-1	266459-3	TAPPING SCREW 5X25	O	4			
002	417771-6	PIN CAP		1			
003	234057-1	COMPRESSION SPRING 8		1			
004	318158-4	GEAR HOUSING		1			
005	424051-3	RUBBER RING 26		1			
006	264010-3	HEX.NUT M7		1			
007	227520-1	SPIRAL BEVEL GEAR 11		1			
008	211088-7	BALL BEARING 6000DDW		1	*		
008-1	210059-1	BALL BEARING 6000DDW	<	1			
009	267352-4	FLAT WASHER 22		1			
010	962107-9	RETAINING RING (INT) R-30		1			
011	240094-5	FAN 70		1			
012	513729-4	ARMATURE ASS'Y 240V		1	*		
D10		INC. 11,13-15					
012-1	513799-3	ARMATURE ASS'Y 240V	S	1			
D10		INC. 11,13-15					
013	681660-3	INSULATION WASHER		1			
014	267281-1	FLAT WASHER 8		1			
015	210005-4	BALL BEARING 608DDW		1			
016	421720-7	RUBBER RING 22		1			
017	266325-4	TAPPING SCREW 4X70		2			
018	419961-7	BAFFLE PLATE		1			
019	525784-4	FIELD ASS'Y 240V		1			
C10	654020-2	RING TERMINAL		2			
C20	654555-3	CONNECTOR 34130		2			
020	158398-0	MOTOR HOUSING COMPLETE		1			
C10	643751-8	BRUSH HOLDER		2			
021	194547-5	CARBON BRUSH CB-253		1	*		
021-1	194994-0	CARBON BRUSH SET CB-253	O	1			
022	643750-0	BRUSH HOLDER CAP 7-11		2			
023	864047-6	GA5021C NAME PLATE		1			
024	188452-6	HANDLE SET		1			
D10		INC. 37					
025	266326-2	TAPPING SCREW 4X18		4	*		
025-1	265A48-7	TAPPING SCREW 4X18	O	4			
026	631799-2	CONTROLLER		1	*		
026-1	620G47-6	CONTROLLER	<	1			
027	418518-1	SLEEVE		1			
028	651922-3	SWITCH TG71B		1	*		
028-1	650677-7	SWITCH C3PA-1112	<	1	*		
028-2	651922-3	SWITCH TG71B	<	1			
029	654575-7	TERMINAL BLOCK		1			
030	266326-2	TAPPING SCREW 4X18		1	*		
030-1	265A48-7	TAPPING SCREW 4X18	O	1			
031	687260-7	STRAIN RELIEF		1			
032	682505-8	CORD GUARD 10-90		1			

033	665865-3	POWER SUPPLY CORD 1.0-2-2.5		1			
034	233117-6	COMPRESSION SPRING 6		1			
035	418519-9	SWITCH BASE		1	*		
035-1	451637-0	SWITCH BASE	S	1			
036	158401-7	SWITCH LEVER A COMPLETE		1	*		
036-1	140358-6	SWITCH LEVER COMPLETE	S	1			
037	188452-6	HANDLE SET		1			
D10		INC. 24					
038	213977-2	O RING 7		1			
039	256505-0	SHOULDER PIN 5		1			
040	263002-9	RUBBER PIN 4		1			
041	210006-2	BALL BEARING 696ZZ		1			
042	233926-3	RING SPRING 7		1			
043	253835-0	FLAT WASHER 8		1			
044	267811-8	LOCK WASHER		1			
045	227522-7	SPIRAL BEVEL GEAR 35B		1			
046	233957-2	LOCK SPRING 16		1	*		
046-1	234356-1	LOCK SPRING 16	<	1			
047	324833-2	LOCK SLEEVE		1			
048	911003-8	PAN HEAD SCREW M3X6		3			
049	285728-3	BEARING RETAINER 39		1			
050	211236-8	BALL BEARING 6002DDW		1			
051	253853-8	FLAT WASHER 15		1			
052	213624-5	O RING 48		1			
053	318160-7	BEARING BOX		1	*		
053-1	318299-6	BEARING BOX	<	1	*		
053-2	318332-4	BEARING BOX	S	1			
054	265131-4	PAN HEAD SCREW M5X18		4			
055	345464-4	LABYRINTH RING		1			
056	324789-9	SPINDLE		1			
057	251391-4	PAN HEAD SCREW M5X16		1	*		
057-1	265180-1	PAN HEAD SCREW M5X16	<	1			
058	135108-2	TOOLLESS WHEEL COVER 125 AS S'Y		1	*		
D10		INC. 57					
058-1	135242-8	TOOLLESS WHEEL COVER 125 AS S'Y	S	1	*		
D10		INC. 57					
058-2	122895-2	TOOLLESS WHEEL COVER 125K A SSY	<	1	*		
C10	213009-5	O RING 4		1	*		
D10		INC. 57					
058-3	123145-8	TOOLLESS WHEELCOVER 125AK ASSY	<	1	*		
C10	213009-5	O RING 4		1	*		
D10		INC. 57					
058-4	141P36-7	TOOLLESS WHEEL COVER 125AK CMP	<	1			
C10	213009-5	O RING 4		1	*		
C20	8050A1-8	CAUTION LABEL		1			
D10		INC. 57					
059	224415-9	INNER FLANGE 42		1			
060	224554-5	LOCK NUT 14-45		1			

061	253828-7	FLAT WASHER 10		1		
062	819282-1	CLEAR LABEL		1		
A01	153504-2	GRIP 36 COMPLETE		1		
A02	782423-1	LOCK NUT WRENCH 35		1		
F01	193956-5	DUST COVER ATTACHMENT		1		
F02	194483-5	LOOP HANDLE SET		1		
F03	194514-0	VIBRATION PROOF GRIP SET		1		
F05-1	195239-9	115/125MM DUST COVER K SET	<	1	*	
F13	191W06-8	115/125MM DUST COVER K SET		1		
C10	743129-6	BRUSH A		1		
C20	743130-1	BRUSH B		1		
A01	162258-0	VIBRATION PROOF GRIP		1		
A05	199710-5	CUTTING W.C.A. 125 SET		1		
059	122444-5	INNER FLANGE 47 ASS'Y		1		

Please state Parts No. when your order.

Print Date 09/07/2024