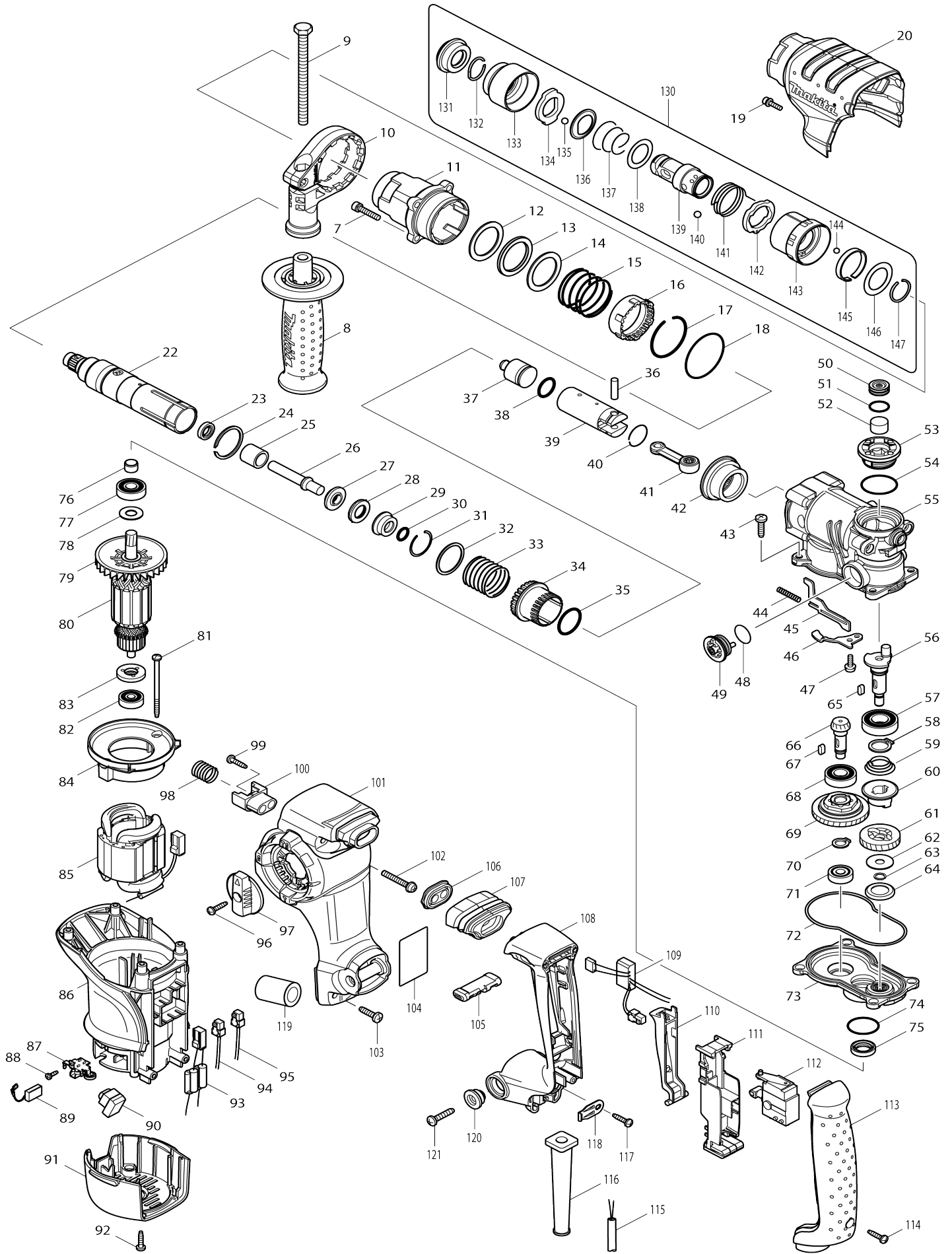


Model No.HR2811FT ROTARY HAMMER 28MM



Model No.HR2811FT ROTARY HAMMER 28MM

| Item No. | Parts No. | Description | Interchangability | Q'ty | New/Old | Note1 | Note2 |
|----------|-----------|-----------------------------|-------------------|------|---------|-------|-------|
| 007 | 922241-7 | HEX. SOCKET HEAD BOLT M5X25 | | 4 | | | |
| 008 | 154842-5 | GRIP 36 COMPLETE | | 1 | * | | |
| C10 | 931402-8 | HEX. NUT M8 | | 1 | * | | |
| 008-1 | 158057-6 | GRIP 36 COMPLETE | O | 1 | | | |
| C10 | 931402-8 | HEX. NUT M8 | | 1 | | | |
| 009 | 921919-9 | HEX. BOLT M8X110 | | 1 | | | |
| 010 | 419975-6 | GRIP BASE 20 | | 1 | | | |
| 011 | 158288-7 | BARREL COMPLETE | | 1 | | | |
| C10 | 212403-8 | NEEDLE BEARING 3012 | | 1 | | | |
| C20 | 213965-9 | OIL SEAL 25 | | 1 | * | | |
| C21 | 213345-9 | OIL SEAL 25 | O | 1 | | | |
| 012 | 267354-0 | FLAT WASHER 31 | | 1 | | | |
| 013 | 262133-1 | URETHANE RING 31 | | 1 | | | |
| 014 | 267354-0 | FLAT WASHER 31 | | 1 | | | |
| 015 | 234020-4 | COMPRESSION SPRING 37 | | 1 | | | |
| 016 | 419986-1 | LOCK SLEEVE | | 1 | | | |
| 017 | 233952-2 | RING SPRING 41 | | 1 | | | |
| 018 | 213620-3 | O RING 46 | | 1 | | | |
| 019 | 922128-3 | HEX. SOCKET HEAD BOLT M4X16 | | 1 | | | |
| 020 | 419984-5 | CRANK HOUSING COVER | | 1 | | | |
| 022 | 158286-1 | TOOL HOLDER GUIDE COMPLETE | | 1 | | | |
| 023 | 213076-0 | OIL SEAL 9 | | 1 | * | | |
| 023-1 | 213344-1 | OIL SEAL 9 | O | 1 | | | |
| 024 | 961140-8 | RETAINING RING | | 1 | | | |
| 025 | 331769-8 | SLEEVE 9 | | 1 | | | |
| 026 | 324796-2 | IMPACT BOLT | | 1 | | | |
| 027 | 324402-9 | RING 10 | | 1 | | | |
| 028 | 421955-0 | CUSHION RING 13 | | 1 | | | |
| 029 | 324216-6 | O RING CASE | | 1 | | | |
| 030 | 213073-6 | O RING 9 | | 1 | | | |
| 031 | 233917-4 | RING SPRING 28 | | 1 | | | |
| 032 | 267105-1 | FLAT WASHER 29 | | 1 | | | |
| 033 | 234021-2 | COMPRESSION SPRING 30 | | 1 | | | |
| 034 | 331770-3 | DRIVING SLEEVE | | 1 | | | |
| 035 | 213435-8 | O RING 26 | | 1 | | | |
| 036 | 256099-5 | PIN 6 | | 1 | | | |
| 037 | 324733-6 | STRIKER | | 1 | | | |
| 038 | 213227-5 | O RING 16 | | 1 | | | |
| 039 | 331776-1 | PISTON CYLINDER | | 1 | | | |
| 040 | 233954-8 | RING SPRING 21 | | 1 | | | |
| 041 | 158282-9 | CONNECTING ROD COMPLETE | | 1 | | | |
| C10 | 212043-2 | NEEDLE BEARING 810 | | 1 | | | |
| 042 | 227532-4 | SPIRAL BEVEL GEAR 31 | | 1 | | | |
| 043 | 266420-0 | TAPPING SCREW 5X20 | | 4 | | | |
| 044 | 234019-9 | COMPRESSION SPRING 4 | | 1 | | | |
| 045 | 345814-3 | LINK PLATE | | 1 | | | |
| 046 | 345815-1 | GUIDE PLATE | | 1 | | | |

| | | | | | | | |
|-------|----------|------------------------|---|---|---|--|--|
| 047 | 911118-1 | PAN HEAD SCREW M4X12 | | 1 | | | |
| 048 | 213262-3 | O RING 18 | | 1 | | | |
| 049 | 162256-4 | LINK LEVER COMPLETE | | 1 | | | |
| 050 | 419988-7 | FILTER CAP | | 1 | | | |
| 051 | 213218-6 | O RING 16 | | 1 | * | | |
| 051-1 | 213A05-9 | O-RING16 | O | 1 | | | |
| 052 | 443129-3 | FILTER | | 1 | | | |
| 053 | 419987-9 | CRANK CAP | | 1 | | | |
| 054 | 213406-5 | O RING 30 | | 1 | | | |
| 055 | 158289-5 | CRANK HOUSING COMPLETE | | 1 | * | | |
| 055-1 | 158289-5 | CRANK HOUSING COMPLETE | O | 1 | | | |
| 056 | 324793-8 | CRANK SHAFT | | 1 | | | |
| 057 | 211232-6 | BALL BEARING 6002LLU | | 1 | | | |
| 058 | 961055-9 | RETAINING RING S-15 | | 1 | | | |
| 059 | 233951-4 | C. C. SPRING 16-26 | | 1 | | | |
| 060 | 223167-9 | CLUTCH | | 1 | | | |
| 061 | 226653-9 | HELICAL GEAR 29 | | 1 | | | |
| 062 | 267353-2 | FLAT WASHER 8 | | 1 | | | |
| 063 | 961034-7 | RETAINING RING | | 1 | | | |
| 064 | 345818-5 | CUP WASHER 16 | | 1 | | | |
| 065 | 254239-9 | KEY 4 | | 2 | | | |
| 066 | 227524-3 | SPIRAL BEVEL GEAR 9 | | 1 | | | |
| 067 | 254239-9 | KEY 4 | | 1 | | | |
| 068 | 210105-0 | BALL BEARING 6001LLU | | 1 | | | |
| 069 | 125386-2 | TORQUE LIMITER ASS'Y | | 1 | | | |
| 070 | 961006-2 | RETAINING RING S-10 | | 1 | | | |
| 071 | 210024-0 | BALL BEARING 608LLU | | 1 | | | |
| 072 | 424028-8 | SEAL RING | | 1 | | | |
| 073 | 158287-9 | GEAR HOUSING COMPLETE | | 1 | | | |
| 074 | 213445-5 | O-RING 26 | | 1 | | | |
| 075 | 213133-4 | OIL SEAL 12 | | 1 | * | | |
| 075-1 | 213678-2 | OIL SEAL 12 | O | 1 | | | |
| 076 | 331775-3 | SLEEVE 10 | | 1 | | | |
| 077 | 210054-1 | BALL BEARING 6000LLU | | 1 | | | |
| 078 | 253171-4 | FLAT WASHER 10 | | 1 | | | |
| 079 | 240095-3 | FAN 64 | | 1 | | | |
| 080 | 515294-9 | ARMATURE ASS'Y 240V | | 1 | | | |
| D10 | | INC. 79,82,83 | | | | | |
| 081 | 266325-4 | TAPPING SCREW 4X70 | | 2 | | | |
| 082 | 210023-2 | BALL BEARING 627DDW | | 1 | | | |
| 083 | 681656-4 | INSULATION WASHER | | 1 | | | |
| 084 | 419989-5 | BUFFLE PLATE | | 1 | | | |
| 085 | 526584-5 | FIELD ASS'Y 240V | | 1 | | | |
| C10 | 654283-0 | CONTACT | | 2 | | | |
| C20 | 686044-0 | CONNECTOR HOUSING | | 1 | | | |
| 086 | 419982-9 | MOTOR HOUSING | | 1 | | | |
| 087 | 643766-5 | BRUSH HOLDER | | 2 | | | |
| 088 | 266421-8 | TAPPING SCREW 3X10 | | 2 | | | |
| 089 | 194074-2 | CARBON BRUSH CB-325 | | 1 | | | |
| 090 | 631754-4 | LED CIRCUIT | | 1 | | | |
| 091 | 419983-7 | REAR COVER | | 1 | | | |
| | | | | | | | |

| | | | | | | |
|-------|----------|-----------------------------|---|---|---|--|
| 092 | 266326-2 | TAPPING SCREW 4X18 | | 2 | | |
| 093 | 638568-2 | CHOKE COIL UNIT | | 1 | | |
| 094 | 638567-4 | LEAD UNIT | | 1 | | |
| 095 | 638566-6 | LEAD UNIT | | 1 | | |
| 096 | 266326-2 | TAPPING SCREW 4X18 | | 1 | | |
| 097 | 158284-5 | CHANGE LEVER COMPLETE | | 1 | | |
| 098 | 234022-0 | COMPRESSION SPRING 14 | | 1 | | |
| 099 | 266326-2 | TAPPING SCREW 4X18 | | 2 | | |
| 100 | 419995-0 | SPRING GUIDE | | 1 | | |
| 101 | 419979-8 | HANDLE BASE | | 1 | | |
| 102 | 911258-5 | PAN HEAD SCREW M5X35 | | 2 | | |
| 103 | 266420-0 | TAPPING SCREW 5X20 | | 2 | | |
| 104 | 863933-8 | HR2811FT NAME PLATE | | 1 | | |
| 105 | 419992-6 | F/R CHANGE LEVER | | 1 | | |
| 106 | 419994-2 | DUST COVER SUPPORT | | 1 | | |
| 107 | 424029-6 | DUST COVER | | 1 | | |
| 108 | 419978-0 | HANDLE | | 1 | | |
| 109 | 631753-6 | POWER SUPPLY CIRCUIT | | 1 | | |
| 110 | 419990-0 | SWITCH LEVER | | 1 | | |
| 111 | 158281-1 | SWITCH HOLDER COMPLETE | | 1 | | |
| 112 | 650591-7 | SWITCH | | 1 | | |
| 113 | 419980-3 | HANDLE COVER | | 1 | | |
| 114 | 266326-2 | TAPPING SCREW 4X18 | | 1 | | |
| 115 | 665890-4 | POWER SUPPLY CORD 1.0-2-4.0 | | 1 | | |
| 116 | 682573-1 | CORD GUARD 10 | | 1 | | |
| 117 | 266326-2 | TAPPING SCREW 4X18 | | 1 | | |
| 118 | 687169-3 | STRAIN RELIEF | | 1 | | |
| 119 | 685722-9 | SPONGE | | 1 | | |
| 120 | 313139-3 | SHOULDER SLEEVE 6 | | 2 | * | |
| 120-1 | 459895-2 | SHOULDER SLEEVE 6 | O | 2 | | |
| 121 | 266041-8 | TAPPING SCREW 5X25 | | 2 | | |
| 130 | 194080-7 | TOOL HOLDER SET | | 1 | | |
| D10 | | INC. 131-147 | | | | |
| 131 | 286263-4 | CAP 35 | | 1 | | |
| 132 | 233940-9 | RING SPRING 19 | | 1 | | |
| 133 | 418217-5 | CHUCK COVER | | 1 | | |
| 134 | 345333-9 | STOPPER | | 1 | | |
| 135 | 216022-2 | STEEL BALL 7.0 | | 1 | | |
| 136 | 345187-4 | GUIDE WASHER | | 1 | | |
| 137 | 233916-6 | CONICAL COMP. SPRING 21-29 | | 1 | | |
| 138 | 267279-8 | FLAT WASHER 21 | | 1 | | |
| 139 | 324355-2 | TOOL HOLDER | | 1 | | |
| 140 | 216013-3 | STEEL BALL 6 | | 2 | | |
| 141 | 231669-1 | TORSION SPRING 31 | | 1 | | |
| 142 | 345334-7 | CHANGE RING | | 1 | | |
| 143 | 418218-3 | CHANGE COVER | | 1 | | |
| 144 | 216018-3 | STEEL BALL 5.0 | | 1 | | |
| 145 | 345335-5 | LEAF SPRING | | 1 | | |
| 146 | 267270-6 | FLAT WASHER 24 | | 1 | | |
| 147 | 233924-7 | RING SPRING 21 | | 1 | | |
| 148 | 819355-0 | CLEAR LABEL | | 1 | * | |
| 148-1 | 892373-3 | CLEAR LABEL | | 1 | * | |

| | | | | | | | |
|-------|----------|---------------------------------|---|---|---|--|--|
| 149 | 123197-9 | TOOL HOLDER GUIDE ASSEMBLY | | 1 | | | |
| D10 | | INC. 22-31 | | | | | |
| A01 | 324219-0 | DEPTH GAUGE | | 1 | | | |
| A02 | 824789-4 | PLASTIC CARRYING CASE | | 1 | | | |
| C10 | 324207-7 | SHAFT | | 1 | | | |
| C20 | 417724-5 | LATCH | | 2 | | | |
| C30 | 419216-0 | HANDLE | | 1 | | | |
| A03 | 805780-1 | HR2811FT PLASTIC CASE LABEL | | 1 | | | |
| A04 | 194079-2 | DRILL CHUCK SET | | 1 | * | | |
| C10 | 251425-3 | - FLAT HEAD SCREW M6X22 | | 1 | * | | |
| C20 | 324353-6 | CHUCK HOLDER | | 1 | * | | |
| C30 | 418216-7 | SPACER | | 1 | * | | |
| A04-1 | 194079-2 | DRILL CHUCK SET | < | 1 | | | |
| C20 | 324353-6 | CHUCK HOLDER | | 1 | | | |
| C30 | 418216-7 | SPACER | | 1 | | | |
| B01 | 195206-4 | HAMMER SERVICE KIT SET | | 1 | | | |
| C10 | 181490-7 | HAMMER GREASE 30G | | 2 | * | | |
| C11 | 1914C5-7 | GREASE SET | O | 2 | | | |
| D10 | | INC. 28,30,31,38,89,131,135 | | | | | |
| F24 | 192349-3 | JOINT 25 | | 1 | | | |
| A02 | 821550-0 | CONNECTOR PLASTIC CASE (TYP E2) | | 1 | | | |
| C10 | 453974-8 | LATCH | | 4 | | | |
| A03 | 802S35-9 | HR2811FTJ PLASTIC CASE LABEL | | 2 | | | |
| A05 | 802S34-1 | HR2811FTJ INDICATION LABEL | | 1 | | | |
| A06 | 837868-9 | INNER TRAY | | 1 | | | |

Please state Parts No. when your order.

Print Date 04/23/2024