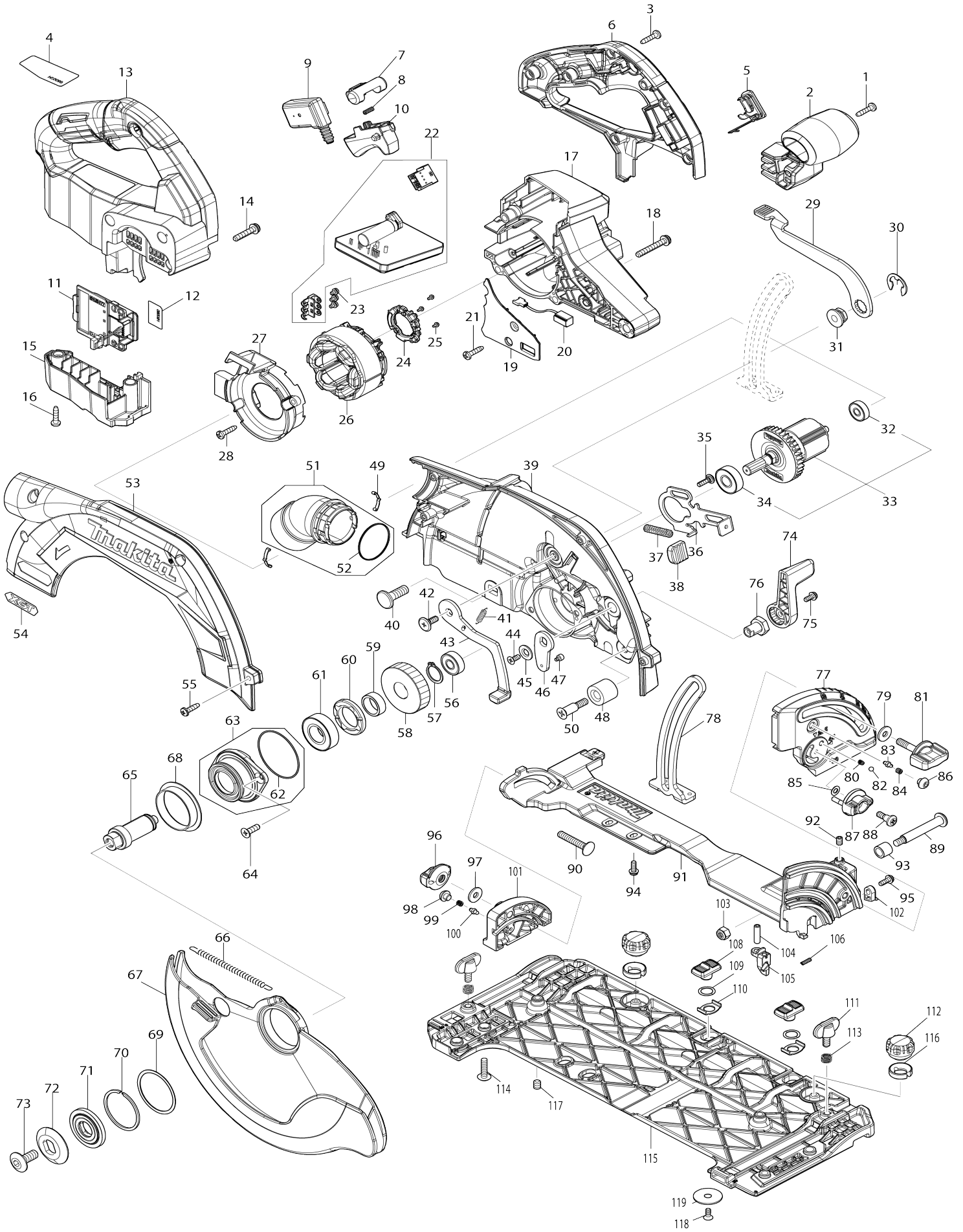


Model No.HS009G 235MM CORDLESS CIRCULAR SAW



Model No.HS009G 235MM CORDLESS CIRCULAR SAW

Item No.	Parts No.	Description	Interchangeability	Q'ty	New/Old	Note1	Note2
001	266326-2	TAPPING SCREW 4X18		1			
002	413C21-5	FRONT GRIP		1			
003	266326-2	TAPPING SCREW 4X18		6			
004	8114P0-9	HS009G NAME PLATE		1			
005	140F99-0	CAP COMPLETE		1			
C10	213A05-9	O-RING16		1			
006	183U47-6	HANDLE SET		1			
C10	263005-3	RUBBER PIN 6		1			
D10		INC. 13					
007	419704-7	LOCK OFF BUTTON		1			
008	231433-0	COMPRESSION SPRING 4		1			
009	650008-0	SWITCH C3XB-1LPSPM		1	*		
009-1	650039-9	SWITCH C3XB-1LPSPM	<	1			
010	413C24-9	SWITCH LEVER		1			
011	632P65-6	TERMINAL UNIT		1			
012	8114P6-7	HS009G SERIAL NO. LABEL		1			
013	183U47-6	HANDLE SET		1			
C10	263005-3	RUBBER PIN 6		1			
D10		INC. 6					
014	911243-8	PAN HEAD SCREW M5X25		3			
015	141G16-9	TERMINAL HOUSING COMPLETE		1			
C10	263005-3	RUBBER PIN 6		1			
016	266326-2	TAPPING SCREW 4X18		2			
017	413C17-6	MOTOR HOUSING		1			
018	911258-5	PAN HEAD SCREW M5X35		4			
019	413C23-1	LIGHT COVER		1			
020	620936-3	LED CIRCUIT		1			
021	266326-2	TAPPING SCREW 4X18		1			
022	620H80-4	CONTROLLER		1			
023	652069-6	FLAT HEAD SCREW M3X6		3			
024	632R96-7	SENSOR UNIT		1			
025	652093-9	PAN HEAD SCREW M2X5		3	*		
025-1	652119-7	PAN HEAD SCREW M2X6	O	3			
026	629A40-1	STATOR		1			
027	413C22-3	BAFFLE PLATE		1			
028	266326-2	TAPPING SCREW 4X18		2			
029	271453-2	LEVER 132		1			
030	257953-6	BOW STOP RING E-12		1			
031	252262-8	COLLERED HEX. NUT M8		1			
032	210022-4	BALL BEARING 626DDW		1			
033	519721-8	ROTOR ASS'Y		1			
D10		INC. 32,34					
034	210059-1	BALL BEARING 6000DDW		1			
035	251529-1	+ PAN HEAD SCREW M4X14		1			
036	347676-5	SHAFT LOCK		1			
037	233084-5	COMPRESSION SPRING 6		1			
038	286039-9	CAP		1			

039	141G17-7	BLADE CASE COMPLETE		1		
C10	213434-0	O RING 26		1		
C20	263005-3	RUBBER PIN 6		1		
C30	8004T1-0	SCALE LABEL		1		
040	266396-1	FLATHEAD SQUARENECKBOLT M 8X24		1		
041	232563-0	TENSION SPRING 4		1		
042	265A60-7	+ PAN HEAD SCREW M5X14		1		
043	162686-9	OPEN LEVER		1		
044	265135-6	+ COUNTERSUNK HEAD SCREW M4X10		1		
045	347577-7	WASHER 6		1		
046	347576-9	OPEN PLATE		1		
047	265A82-7	HEX. SOCKET HEAD SCREW M3X4		1		
048	262185-2	RUBBER SLEEVE8		1		
049	232674-1	LEAF SPRING		2		
050	251572-0	+ COUNTERSUNK HEAD SCREW M6X30		1		
051	136173-4	DUST NOZZLE ASS'Y		1		
D10		INC. 52				
052	213444-7	O RING 30		1		
053	312C12-2	BLADE CASE COVER		1		
054	8032A7-2	XGT LOGO LABEL		1		
055	266034-5	TAPPING SCREW CT 4X16		4		
056	210029-0	BALL BEARING 608ZZ		1		
057	961057-5	RETAINING RING S-17		1		
058	226934-1	HELICAL GEAR 46		1		
059	257451-0	RING 17		1		
060	285809-3	BEARING RETAINER 23-36		1		
061	210301-0	BALL BEARING 6003DDW		1		
062	213623-7	O RING 46		1		
063	136192-0	BEARING BOX ASS'Y		1		
D10		INC. 62				
064	265034-2	+ COUNTERSUNK HEAD SCREW M5X16		2		
065	327192-3	SPINDLE		1		
066	232562-2	TENSION SPRING 6		1		
067	312C14-8	SAFETY COVER		1		
068	459830-0	SPACER		1		
069	267337-0	FLAT WASHER 40		1		
070	257452-8	RETAINING RING (EXT) WR-40		1		
071	224360-8	INNER FLANGE 40		1		
072	224600-4	OUTER FLANGE 38		1		
073	265A59-2	HEX.SOCKET HEAD BOLT M8		1		
074	271451-6	LEVER 55		1		
075	911113-1	PAN HEAD SCREW M4X10 WITH WR		1		
076	252275-9	HEX. NUT M4-16		1		
077	312C17-2	FRONT ANGULAR PLATE		1		
078	347574-3	DEPTH GUIDE		1		
079	253111-2	FLAT WASHER 6		1		
080	233314-4	COMPRESSION SPRING 4		1		
081	265776-8	THUMB SCREW M6X26		1		

082	216008-6	STEEL BALL 4		1		
083	263041-9	SHOULDER PIN 3-5		1		
084	231234-6	COMPRESSION SPRING 3.5		1		
085	253811-4	FLAT WASHER 5		1		
086	266559-9	H.S.BUTTON HEAD BOLT M6X4		1		
087	450704-8	DIAL 27		1		
088	251370-2	+ PAN HEAD SCREW M5		1		
089	251528-3	+ PAN HEAD SCREW M6		1		
090	266332-7	R.H SQUARE NECK BOLT M6X35		1		
091	141G18-5	FRAME COMPLETE		1		
092	266229-0	H.S.SET SCREW(CUP POINT)M5X8		1		
093	257580-9	SLEEVE 8		1		
094	265A84-3	PAN HEAD SCREW M4X12 WITH WR		2		
095	911118-1	PAN HEAD SCREW M4X12		1		
096	252270-9	THUMB NUT M6		1		
097	253111-2	FLAT WASHER 6		1		
098	266559-9	H.S.BUTTON HEAD BOLT M6X4		1		
099	231234-6	COMPRESSION SPRING 3.5		1		
100	263041-9	SHOULDER PIN 3-5		1		
101	312C18-0	REAR ANGULAR PLATE		1		
102	419632-6	POSITION PLATE		1		
103	252014-7	HEX. LOCK NUT M6-10		1		
104	265A83-5	H.S.SET SCREW(FLAT POINT)M5X 20		1		
105	412210-1	SLIDER		1		
106	233025-1	COMPRESSION SPRING 2		1		
108	458092-7	SLIDE LEVER		2		
109	253932-2	WAVE WASHER 10		2		
110	345977-5	PLATE		2		
111	265701-9	THUMB SCREW M6X14		2		
112	265775-0	THUMB SCREW M4X3		2		
113	233376-2	COMPRESSION SPRING 8		2		
114	265181-9	+TRUSS HEAD SCREW M5X20		4		
115	312C15-6	BASE		1		
116	419627-9	HOLDER		2		
117	266225-8	H.S.SET SCREW(FLAT POINT)M6X 8		2		
118	912112-6	COUNTERSUNK HEAD SCREW M4 X10		2		
119	345748-0	LOCK WASHER		2		
A01	162687-7	SUB BASE		1		
A02	E-01909	TCT BLADE 235X24T WOOD EFFI CUT		1		
A03	783204-6	HEX. WRENCH 6		1		
F06	194367-7	GUIDE RAIL 3000 SET		1		
F07	194368-5	GUIDE RAIL 1400 SET		1		
F09	194416-0	SHEET 10000 SET		1		
F10	194417-8	RUBBER SHEET 10000 SET		1		
F11	194418-6	POSITION SHEET 1400 SET		1		
F13	194910-2	POSITION SHEET 1900 SET		1		
F15	194925-9	GUIDE RAIL 1900 SET		1		
F17	195546-0	FRONT CUFF 24 SET		1		

F18	196664-7	BEVEL GUIDE SET		1			
F20	198885-7	GUIDE RAIL CONNECTOR SET(EU)		1			
F21	199140-0	GUIDE RAIL 1000 SET		1			
F22	199141-8	GUIDE RAIL 1500 SET		1			
F28	1913K7-3	PARALLEL GUIDE SET(MM)		1			

Please state Parts No. when your order.

Print Date 10/27/2023